



US00D853525S

(12) **United States Design Patent** (10) **Patent No.:** **US D853,525 S**
Lu et al. (45) **Date of Patent:** **** Jul. 9, 2019**

(54) **HAND SHOWER**
(71) Applicant: **Kohler China Investment Co. Ltd.**
(72) Inventors: **Tsung-Yu Lu**, Shanghai (CN);
Chia-Ying Lee, Chicago, IL (US); **Lun Cheak Tan**, Shanghai (CN)
(73) Assignee: **KOHLER CHINA INVESTMENT CO., LTD.**, Shanghai (CN)

D652,108 S * 1/2012 Eads D23/223
D652,110 S * 1/2012 Nichols D23/223
D655,389 S * 3/2012 Schoenherr D23/223
D656,219 S 3/2012 Su
D660,940 S * 5/2012 Flowers D23/213
D673,650 S * 1/2013 Chibitty D23/223
D731,026 S * 6/2015 Bahler D23/223
D753,794 S 4/2016 Starck
D759,206 S 6/2016 Moerman
D761,936 S 7/2016 Flowers et al.

(Continued)

(**) Term: **15 Years**
(21) Appl. No.: **29/658,640**
(22) Filed: **Aug. 1, 2018**

Primary Examiner — Robin V Webster
(74) *Attorney, Agent, or Firm* — Foley & Lardner LLP

(57) **CLAIM**

We claim the ornamental design for a hand shower, as shown and described.

Related U.S. Application Data

(62) Division of application No. 29/605,405, filed on May 25, 2017, now Pat. No. Des. 828,906.
(51) **LOC (11) Cl.** **23-01**
(52) **U.S. Cl.**
USPC **D23/223**
(58) **Field of Classification Search**
USPC D23/213, 223, 226, 228
CPC .. B05B 1/00; B05B 1/02; B05B 1/005; B05B 1/14; B05B 1/18; B05B 1/185
See application file for complete search history.

DESCRIPTION

FIG. 1 is a top, front, right perspective view of an embodiment of the claimed design in a first configuration;
FIG. 2 is a top, front, right perspective view thereof in a second configuration;
FIG. 3 is a front elevation view thereof;
FIG. 4 is a rear elevation view thereof;
FIG. 5 is a left side elevation view thereof;
FIG. 6 is a right side elevation view thereof;
FIG. 7 is a top plan view thereof; and,
FIG. 8 is a bottom plan view thereof.

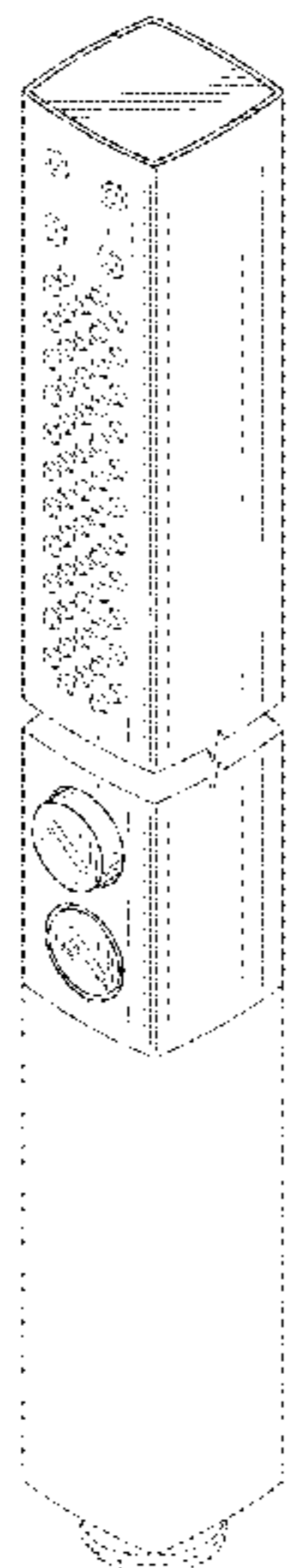
The ornamental design which is claimed is shown in solid lines in the drawings. The broken lines in the drawings are for illustrative purposes only and form no part of the claimed design. Broken lines formed by equal length dashes show unclaimed subject matter. Broken lines formed by unequal length dashes (i.e., dash-dot) define bounds of the claimed design. The claimed design is shown with a break to indicate non-specified length. The appearance of any portion of the article between the break lines forms no part of the claimed design.

(56) **References Cited**

U.S. PATENT DOCUMENTS

D495,777 S 9/2004 Aubry et al.
D529,986 S 10/2006 Chan
D538,395 S * 3/2007 Starck D23/223
D552,211 S 10/2007 Toyohara
D581,485 S * 11/2008 Kollmann D23/223
7,546,646 B2 6/2009 Shien
D599,883 S 9/2009 Tippens
7,765,627 B2 8/2010 Pan
D633,174 S 2/2011 Lee
D637,694 S * 5/2011 Lammel D23/213

1 Claim, 5 Drawing Sheets



(56)

References Cited

U.S. PATENT DOCUMENTS

9,470,334	B2	10/2016	Zhou	
9,566,593	B2 *	2/2017	Marty	B05B 1/185
D787,634	S *	5/2017	Eads	D23/223
D793,529	S *	8/2017	Garland	D23/223
D811,523	S *	2/2018	Andrew	D23/223
D828,906	S *	9/2018	Lu	D23/223
D832,975	S *	11/2018	Garuti	D23/213

* cited by examiner

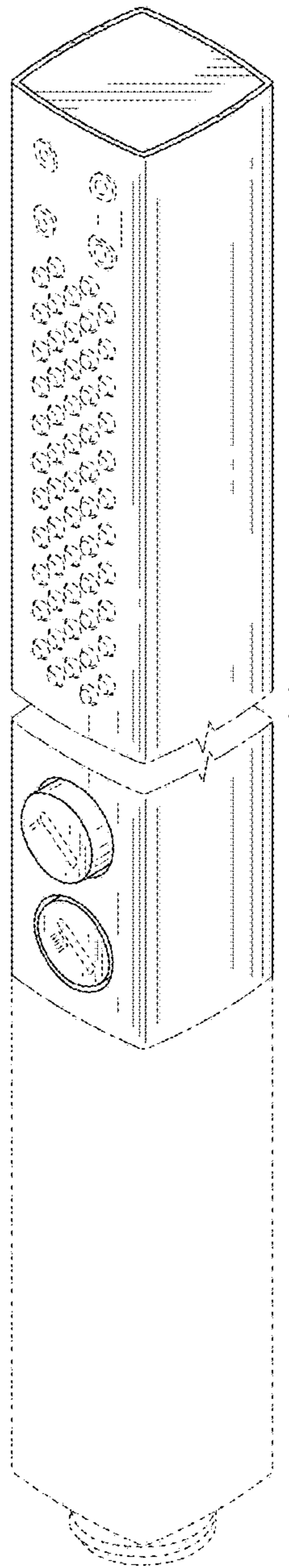


FIG. 1

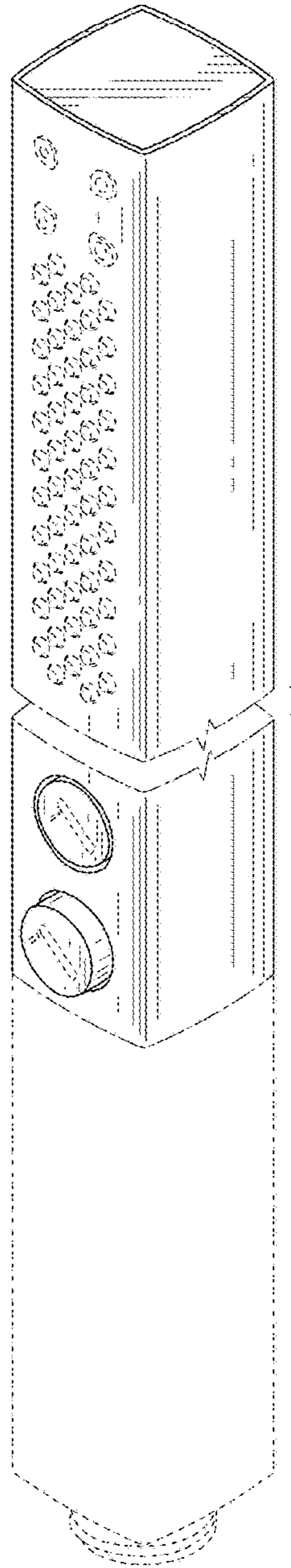


FIG. 2

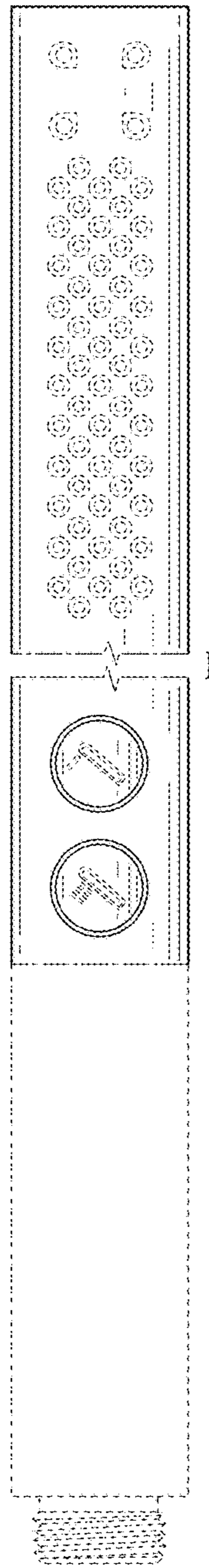


FIG. 3

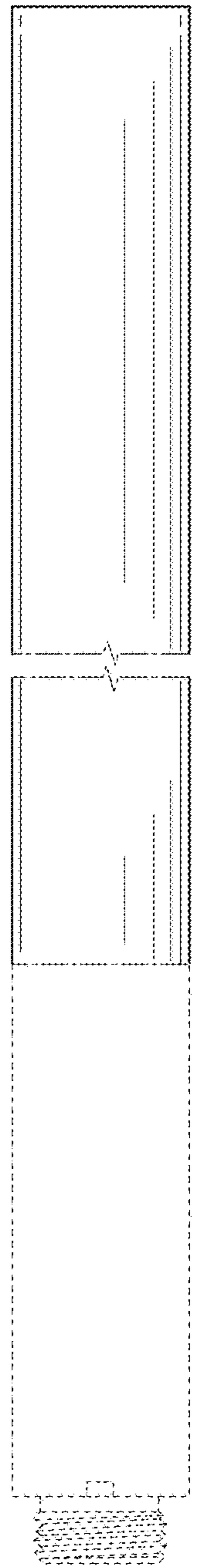


FIG. 4

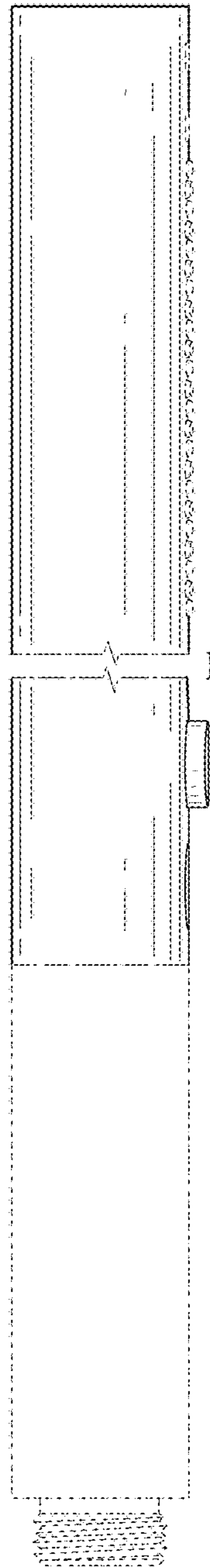


FIG. 5

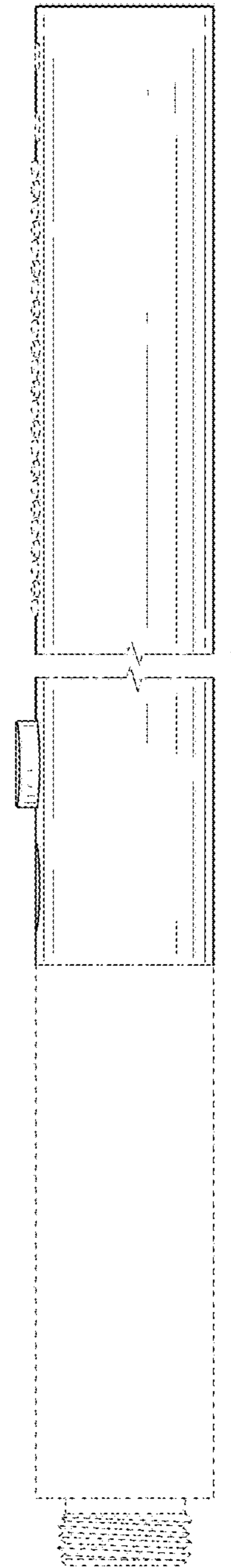


FIG. 6

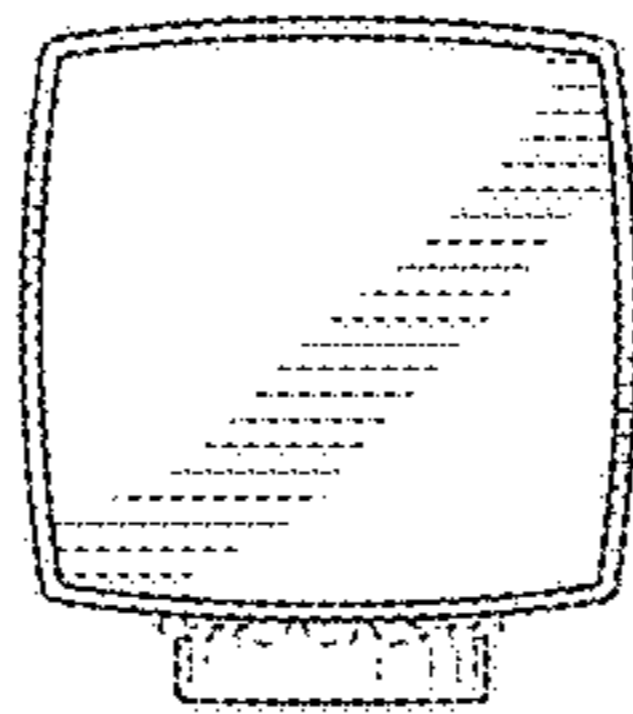


FIG. 7

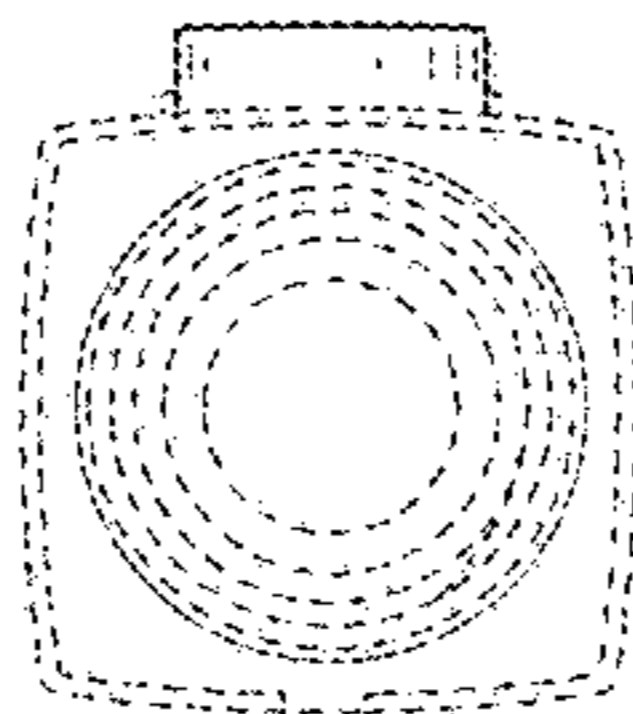


FIG. 8