



US00D853524S

(12) **United States Design Patent** (10) **Patent No.:** **US D853,524 S**
Song et al. (45) **Date of Patent:** **** Jul. 9, 2019**

(54) **FAUCET HEAD**

(71) Applicant: **AS America, Inc.**, Piscataway, NJ (US)

(72) Inventors: **Ki Bok Song**, Plainview, NY (US);
Alison Lyons, New York, NY (US);
Jiekun Qian, Elmhurst, NY (US);
Jean-Jacques L’Henaff, New Canaan,
CT (US); **Emilie Williams**, South
Plainfield, NJ (US)

7,717,270 B2 5/2010 Boyd et al.
D619,220 S 7/2010 Semchuck et al.
7,810,650 B2 10/2010 Ennis et al.
D630,711 S 1/2011 Eilmus
D652,489 S * 1/2012 Bosio D23/255
D653,309 S * 1/2012 Starck D23/257
D657,024 S * 4/2012 Bosio D23/255
D668,743 S * 10/2012 Kennedy D23/213
D701,942 S * 4/2014 Flowers D23/213
9,004,290 B2 4/2015 Tanner et al.
D767,102 S * 9/2016 Schoenherr D23/257
9,568,132 B2 2/2017 Erickson et al.
9,604,857 B2 3/2017 Sasaki et al.
D807,989 S * 1/2018 Kaule D23/213

(73) Assignee: **AS America, Inc.**, Piscataway, NJ (US)

(**) Term: **15 Years**

(21) Appl. No.: **29/628,805**

(22) Filed: **Dec. 7, 2017**

(51) **LOC (11) Cl.** **23-01**

(52) **U.S. Cl.**
USPC **D23/213**

(58) **Field of Classification Search**
USPC D23/213, 255, 257; 4/678
CPC E03C 1/0404; E03C 1/084; B05B 1/12;
B05B 1/169; B05B 1/185; B05B 1/1627;
B05B 1/16; B05B 1/30
See application file for complete search history.

(56) **References Cited**

U.S. PATENT DOCUMENTS

D313,835 S 1/1991 Knapp
5,976,362 A 11/1999 Wadsworth et al.
6,179,130 B1 1/2001 Nguyen et al.
6,219,860 B1 4/2001 Chang
D510,410 S 10/2005 Jsensn
D522,614 S * 6/2006 Ko D23/213
D525,342 S 7/2006 Starck
7,090,144 B2 8/2006 Gross et al.
D541,375 S * 4/2007 Buttgen D23/213
7,326,334 B2 2/2008 Boyd et al.
D599,893 S 9/2009 Sieger
7,617,939 B2 11/2009 Klump et al.

(Continued)

OTHER PUBLICATIONS

Notice of Allowance dated Nov. 16, 2018, directed to MX Appli-
cation No. MX/f/2018/001660; 5 pages.

(Continued)

Primary Examiner — Robin V Webster
(74) *Attorney, Agent, or Firm* — Morrison & Foerster
LLP

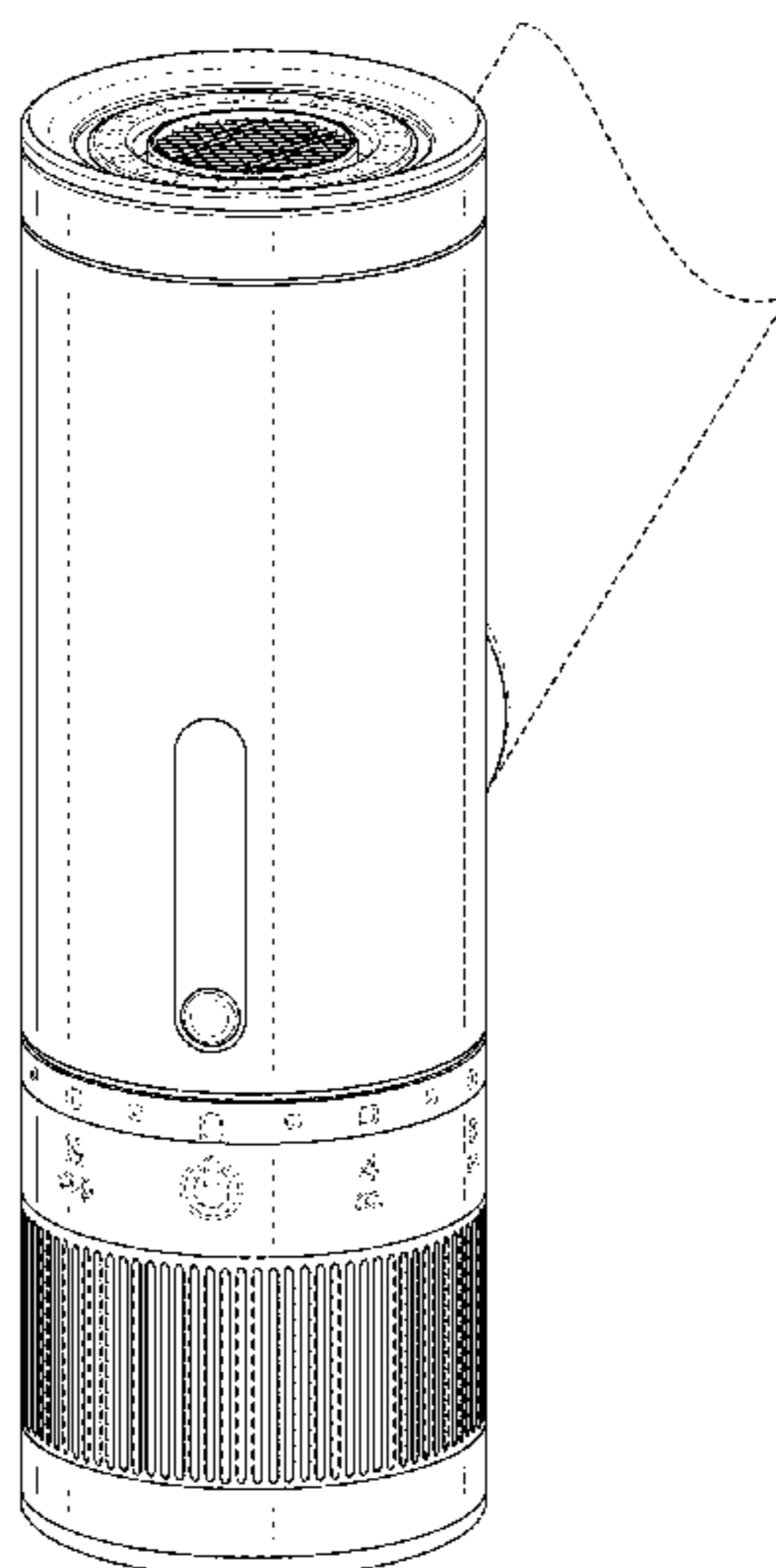
(57) **CLAIM**

We claim the ornamental design for a faucet head, as shown
and described.

DESCRIPTION

FIG. 1 is a front perspective view of a faucet head showing
our new design;
FIG. 2 is a side view thereof;
FIG. 3 is a side view of the opposite side of FIG. 2;
FIG. 4 is a rear view thereof;
FIG. 5 is a front view thereof;
FIG. 6 is a top view thereof; and,
FIG. 7 is a bottom view.
The broken lines shown in the drawings illustrate portions of
a faucet head that form no part of the claimed design.

1 Claim, 7 Drawing Sheets



(56)

References Cited

U.S. PATENT DOCUMENTS

D809,109 S 1/2018 Kirar et al.
D832,981 S 11/2018 Andrew
2007/0251590 A1 11/2007 Weinstein
2017/0002552 A1 1/2017 Wang et al.

OTHER PUBLICATIONS

Notice of Allowance dated Nov. 16, 2018, directed to MX Application No. MX/f/2018/001664; 5 pages.

Notice of Allowance dated Jan. 21, 2019, directed to MX Application No. MX/f/2018/001665; 5 pages.

Examination Report dated Feb. 18, 2019, directed to CA Application No. 181573; 1 page.

* cited by examiner

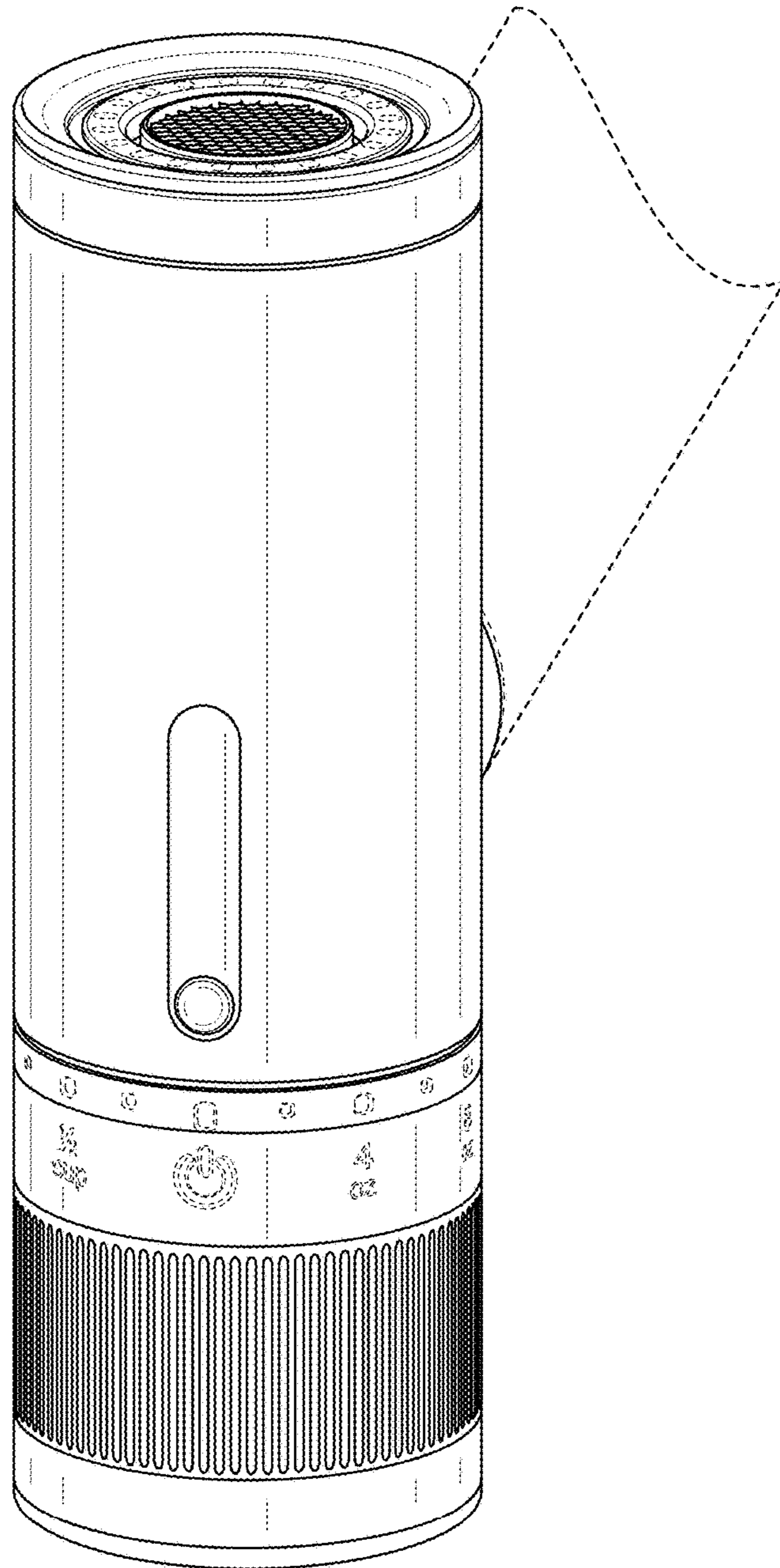


FIG. 1

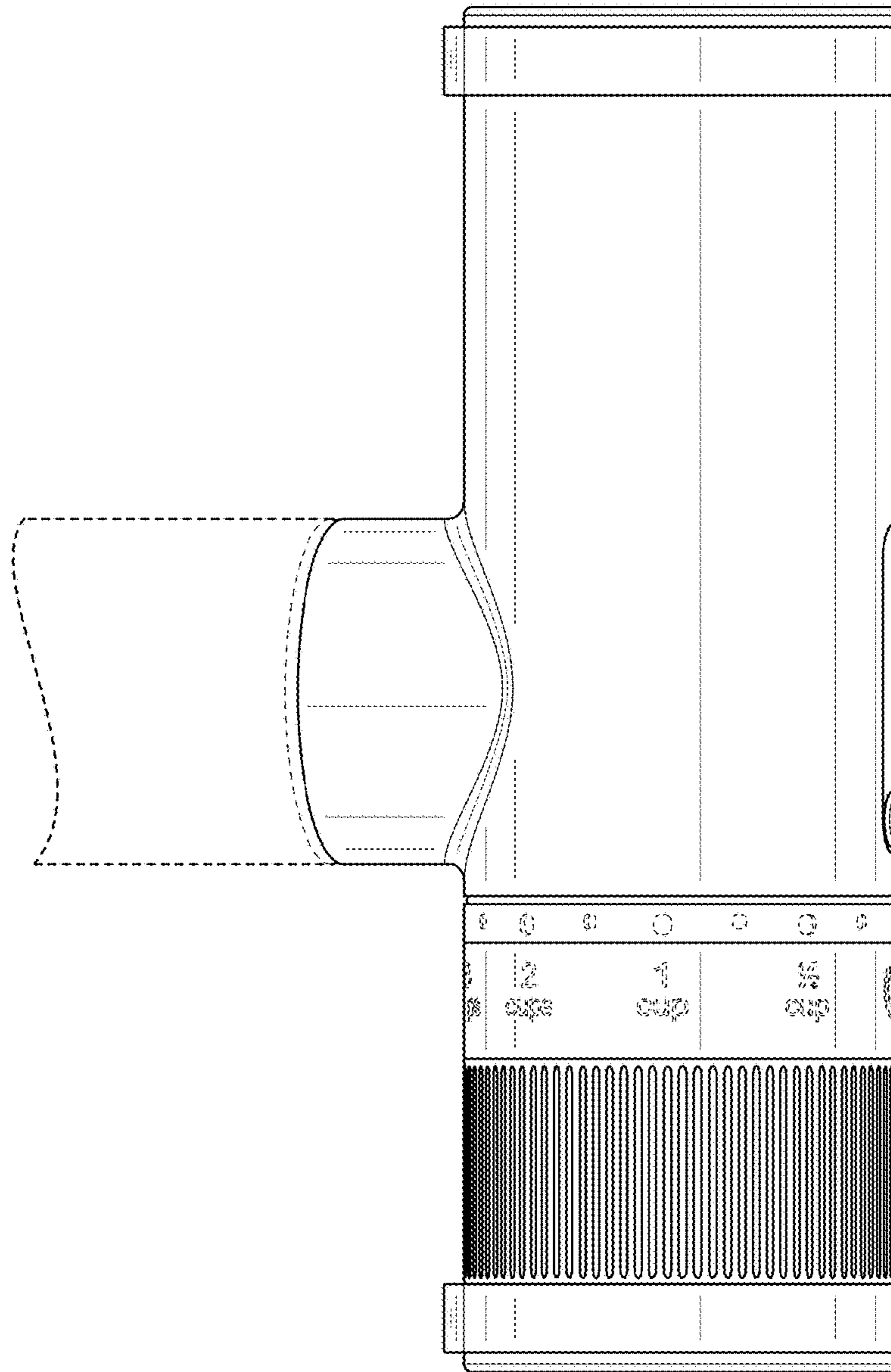


FIG. 2

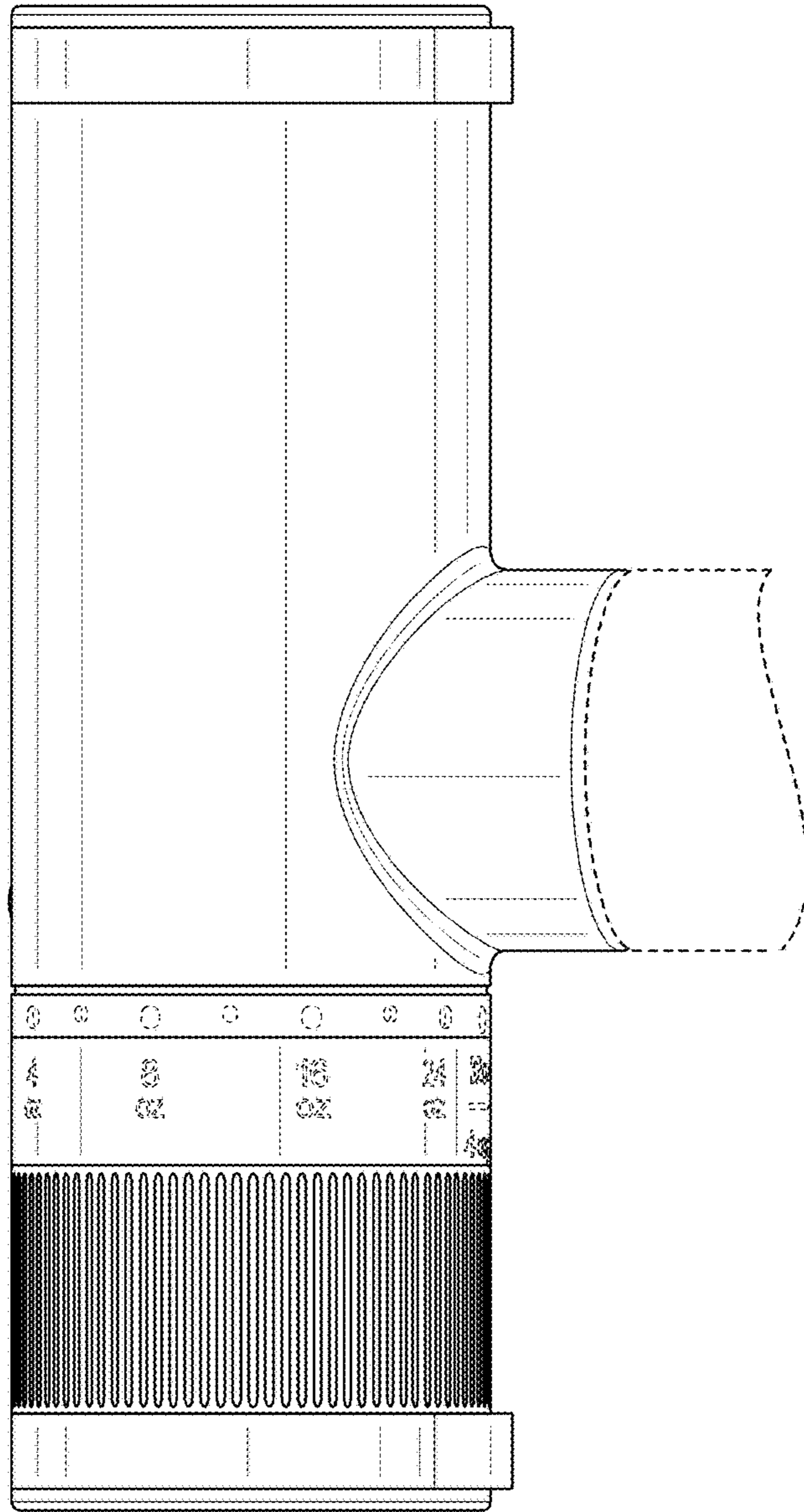


FIG. 3

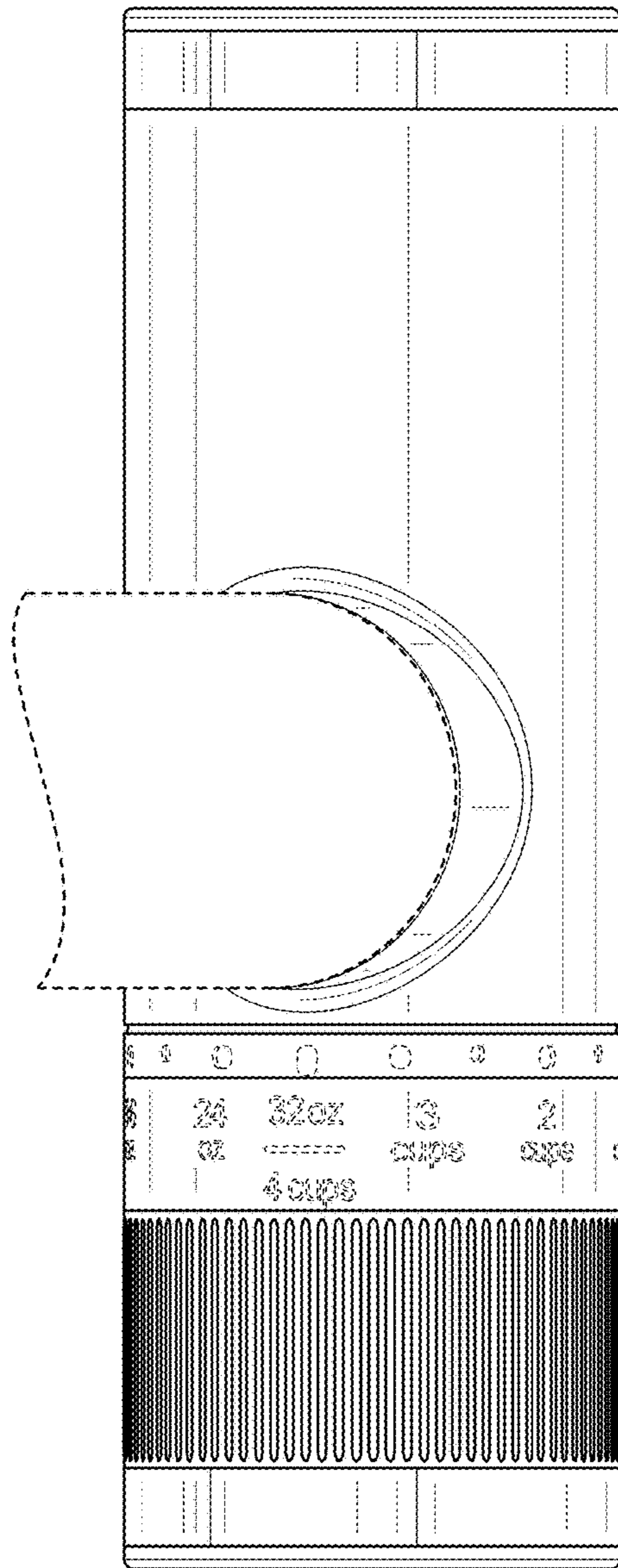


FIG. 4

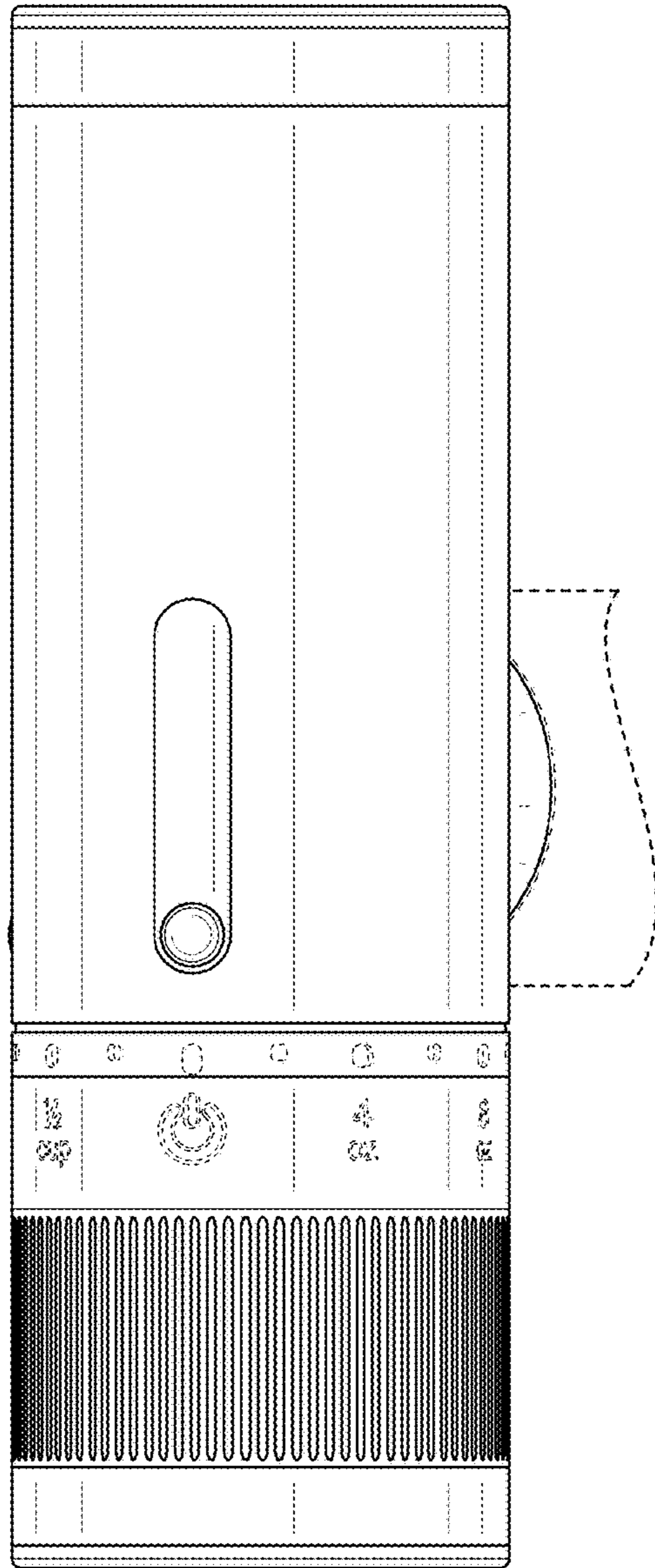


FIG. 5

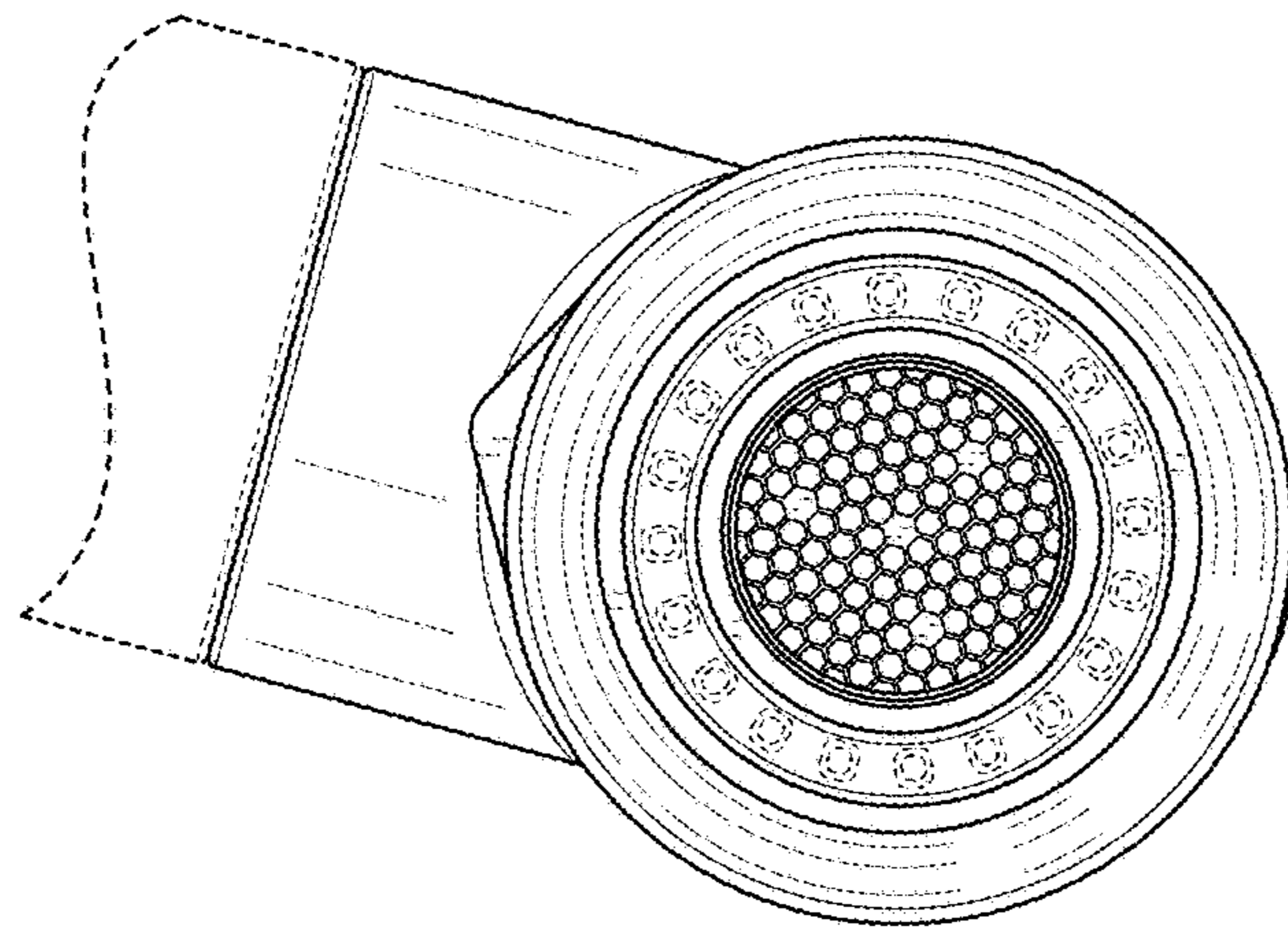


FIG. 6

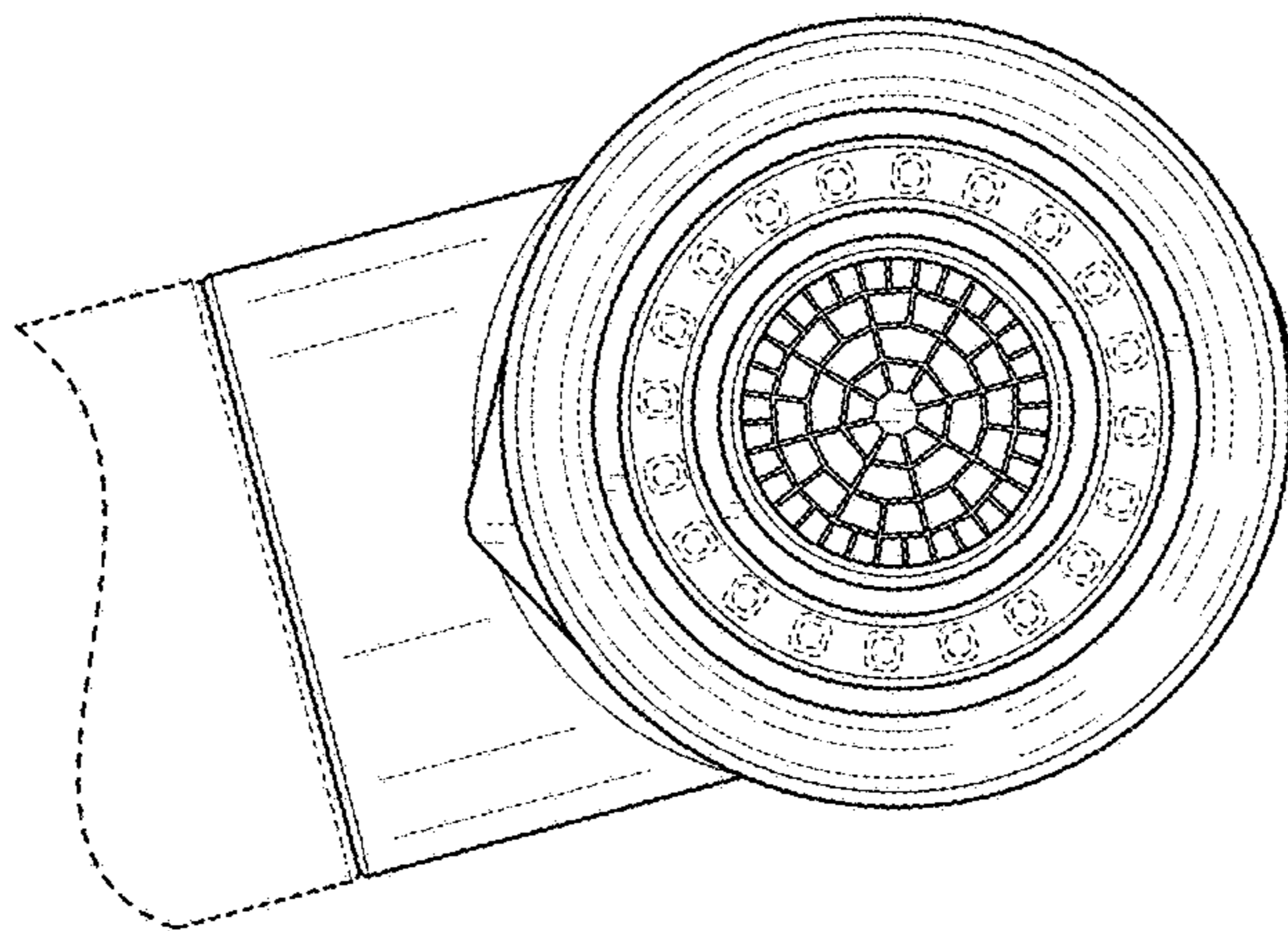


FIG. 7