



US00D853523S

(12) **United States Design Patent**  
**Horie et al.**

(10) **Patent No.:** **US D853,523 S**  
(45) **Date of Patent:** **\*\* Jul. 9, 2019**

(54) **FISHING REEL** 7,364,105 B1 \* 4/2008 Yeh ..... A01K 89/01  
242/305

(71) Applicant: **GLOBERIDE, INC.**, 7,413,138 B2 \* 8/2008 Kitajima ..... A01K 89/01  
Higashikurume-shi, Tokyo (JP) 242/310

(72) Inventors: **Hironori Horie**, Higashikurume (JP); D712,006 S \* 8/2014 Koelewyn ..... D22/140  
**Yusuke Hirota**, Higashikurume (JP); D724,174 S \* 3/2015 Nago ..... D22/140  
**Masayoshi Fujii**, Higashikurume (JP); D803,348 S \* 11/2017 Huang ..... D22/140  
**Takashi Kondo**, Musashino (JP) 2008/0149750 A1 \* 6/2008 Kitajima ..... A01K 89/01  
242/224

(73) Assignee: **GLOBERIDE, INC.**, 2012/0055070 A1 \* 3/2012 Maerz ..... A01K 89/016  
Higashikurume-shi, Tokyo (JP) 43/22

**FOREIGN PATENT DOCUMENTS**

(\*\*) Term: **15 Years** JP 1476528 S 8/2013  
JP 1505145 S 8/2014

(21) Appl. No.: **29/645,662**

(22) Filed: **Apr. 27, 2018**

(30) **Foreign Application Priority Data**

Oct. 30, 2017 (JP) ..... 2017-024126

(51) **LOC (11) Cl.** ..... **22-05**

(52) **U.S. Cl.**  
USPC ..... **D22/141**

(58) **Field of Classification Search**  
USPC ..... D22/137-141; 242/310-319, 223-243,  
242/283, 322, 370; 43/19-22  
CPC ..... A01K 81/00; A01K 89/01; A01K 89/06;  
A01K 89/015; A01K 89/016; F41B  
5/1484

See application file for complete search history.

(56) **References Cited**

**U.S. PATENT DOCUMENTS**

D404,792 S \* 1/1999 Oh ..... D22/140  
D423,075 S \* 4/2000 Kondo ..... D22/141

\* cited by examiner

*Primary Examiner* — Catherine R Oliver-Garcia

(74) *Attorney, Agent, or Firm* — Sughrue Mion, PLLC

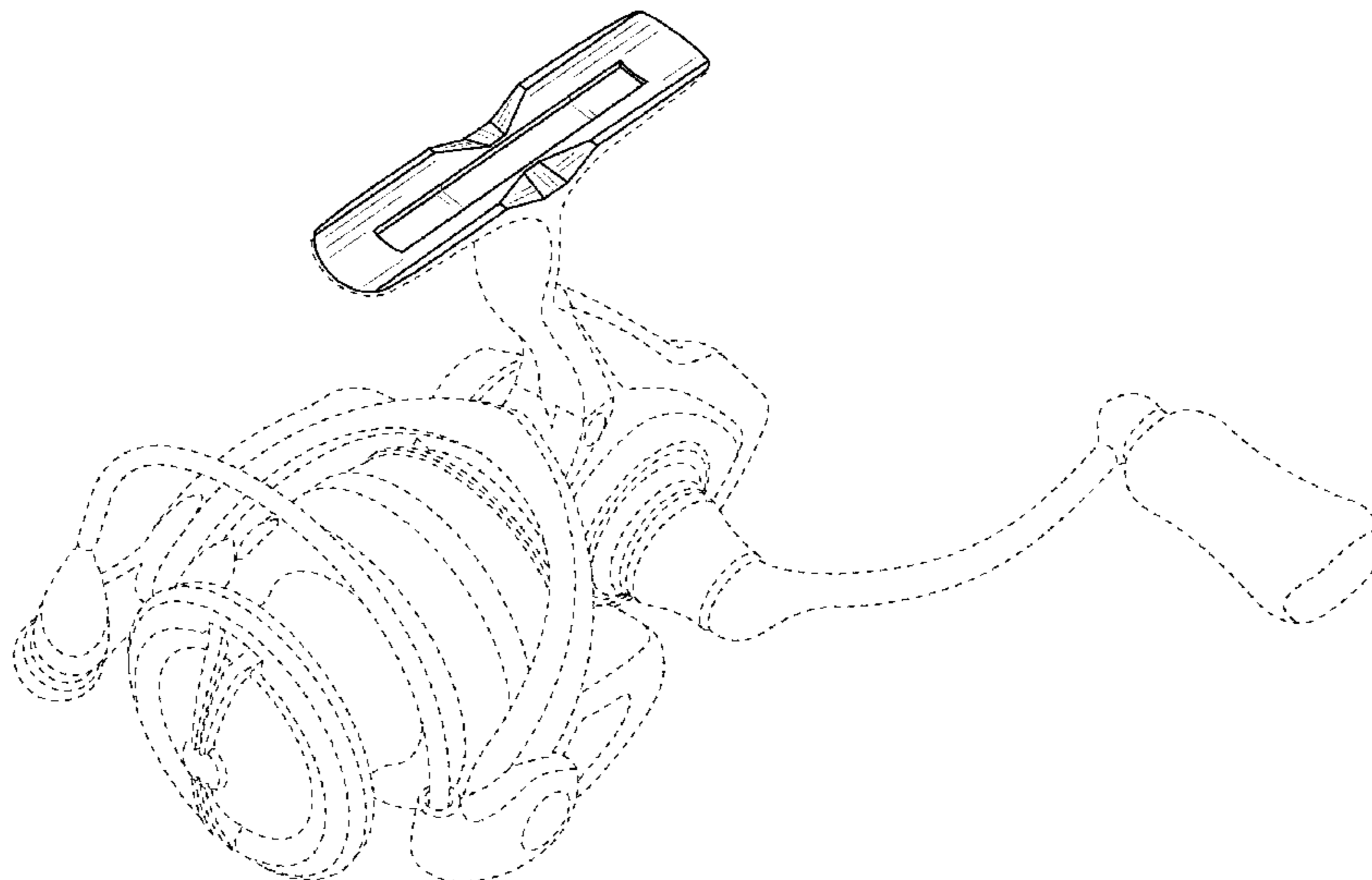
(57) **CLAIM**

The ornamental design for a fishing reel, as shown and described.

**DESCRIPTION**

FIG. 1 is a front, left and top perspective view of a fishing reel showing our new design;  
FIG. 2 is a front view thereof;  
FIG. 3 is a rear view thereof;  
FIG. 4 is a left side view thereof;  
FIG. 5 is a right side view thereof; and,  
FIG. 6 is a top plan view thereof.  
The broken lines shown represent unclaimed subject matter of the fishing reel and form no part of the claimed design.

**1 Claim, 6 Drawing Sheets**



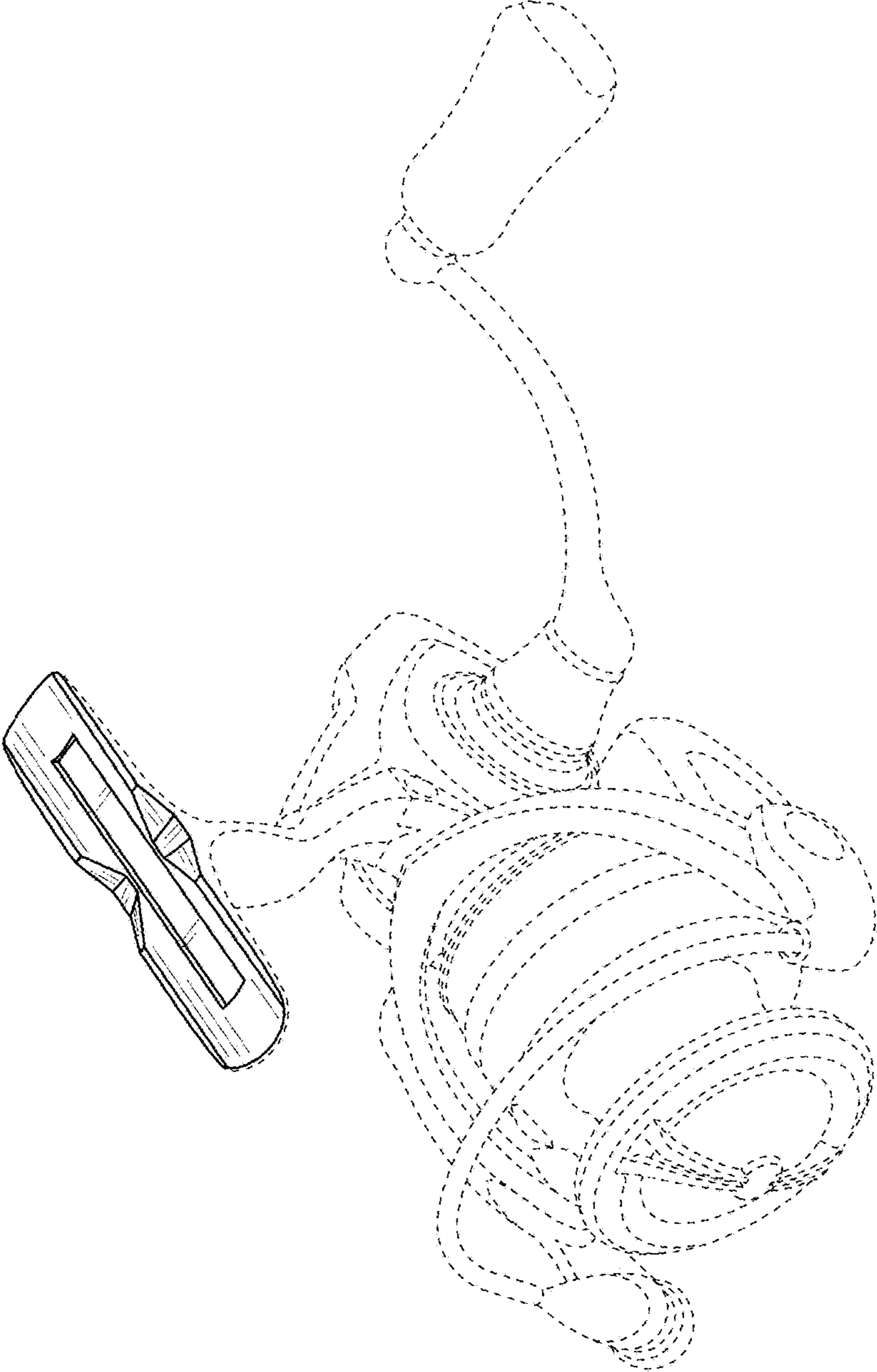


FIG. 1

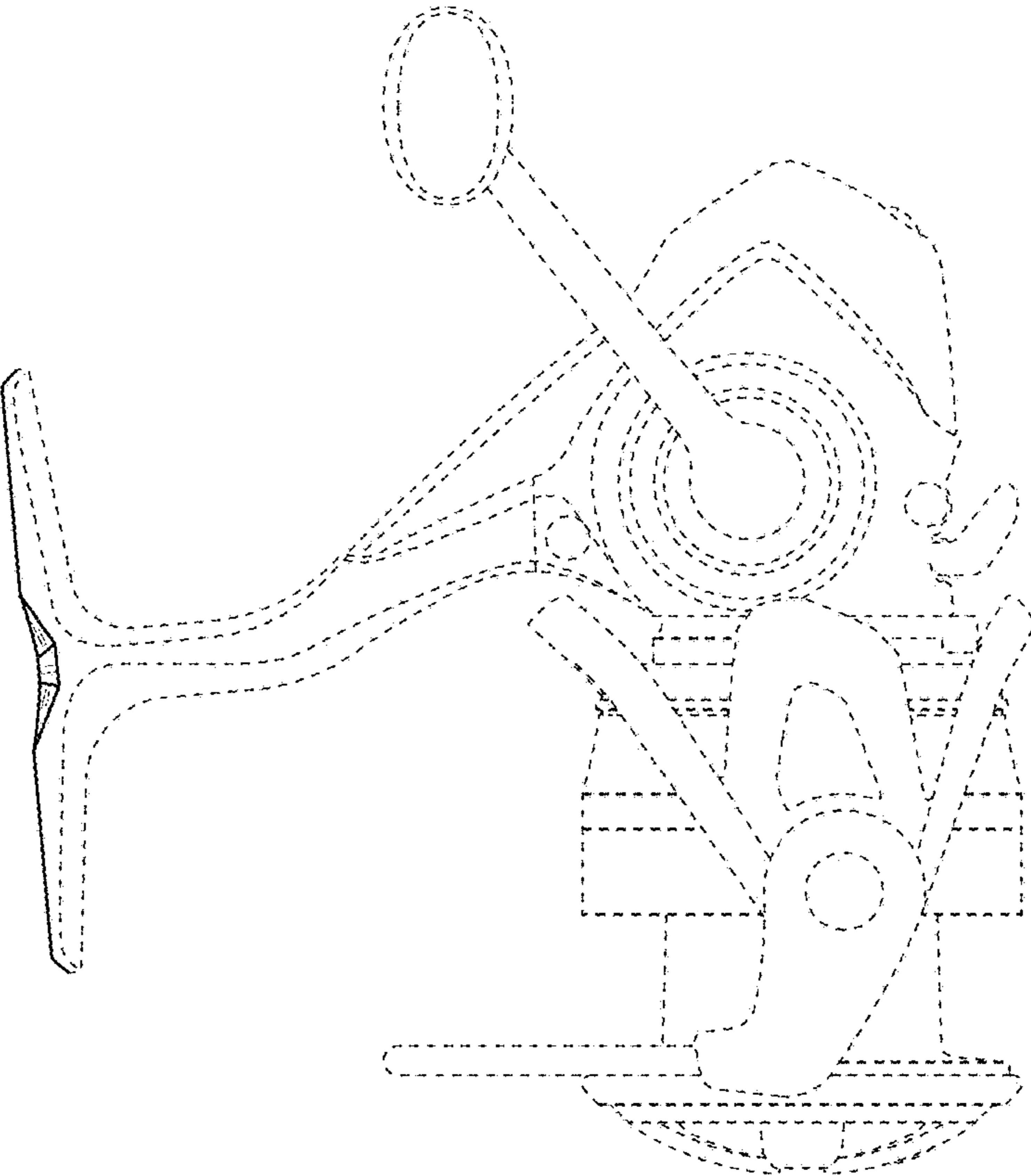


FIG. 2

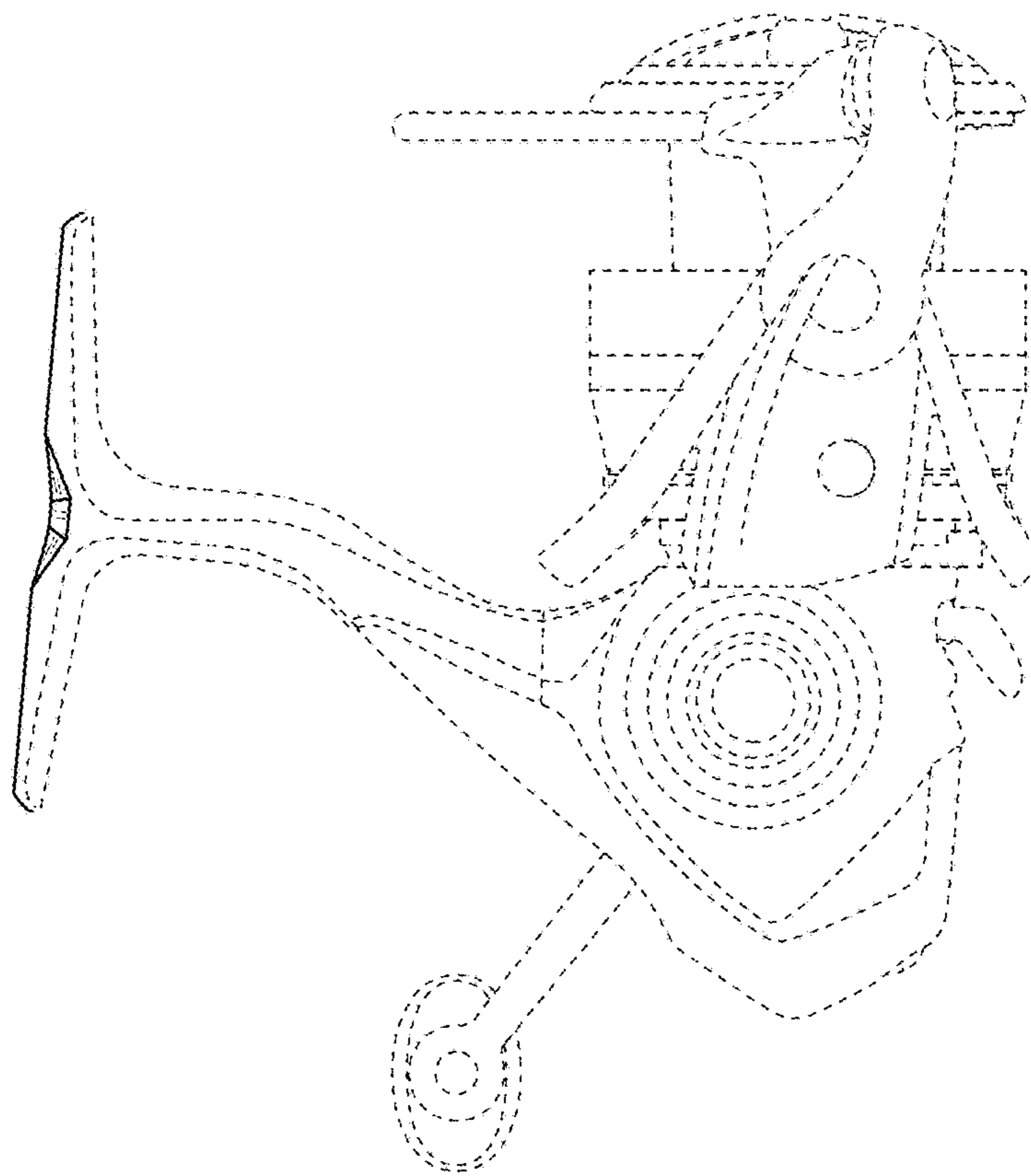


FIG. 3

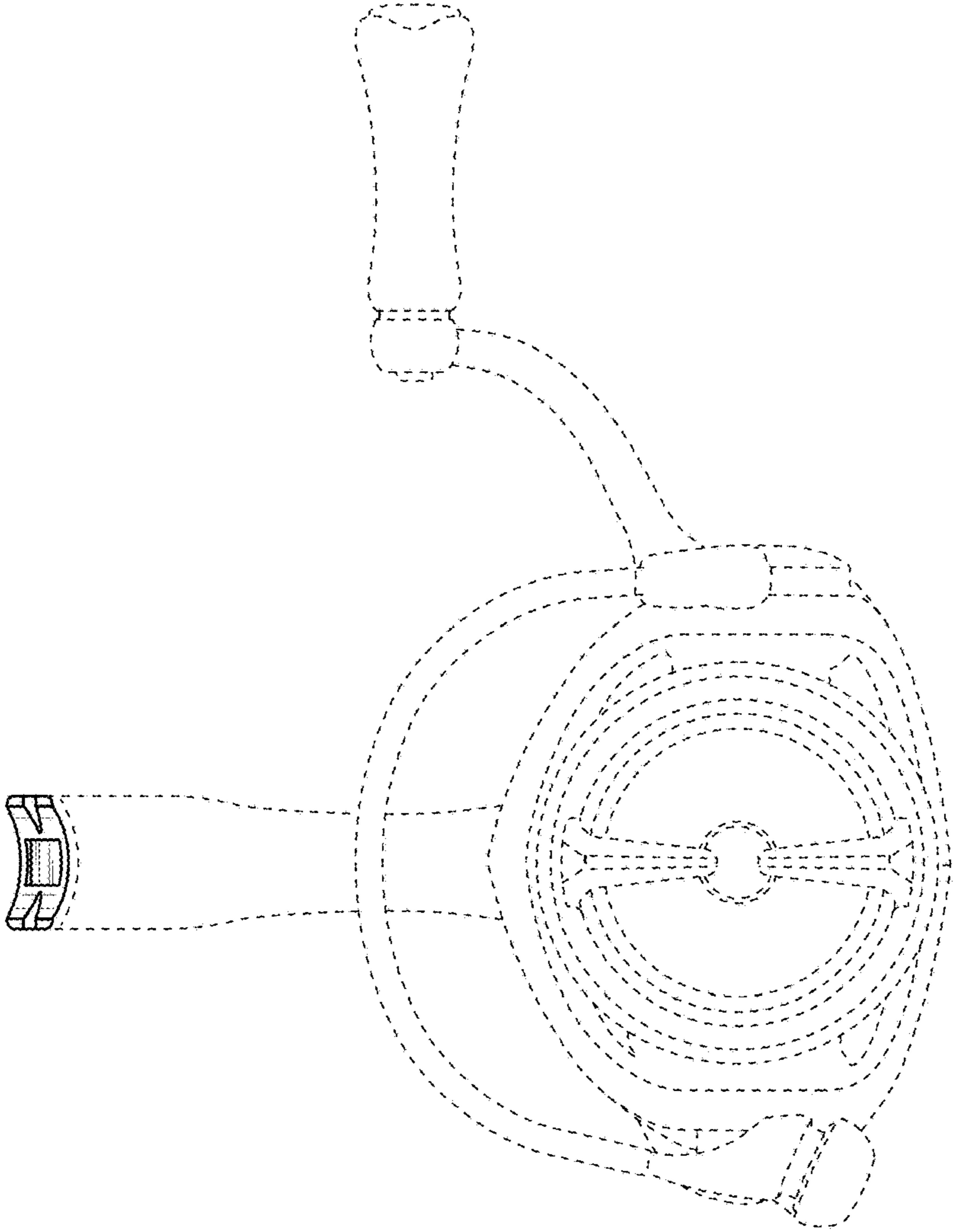


FIG. 4

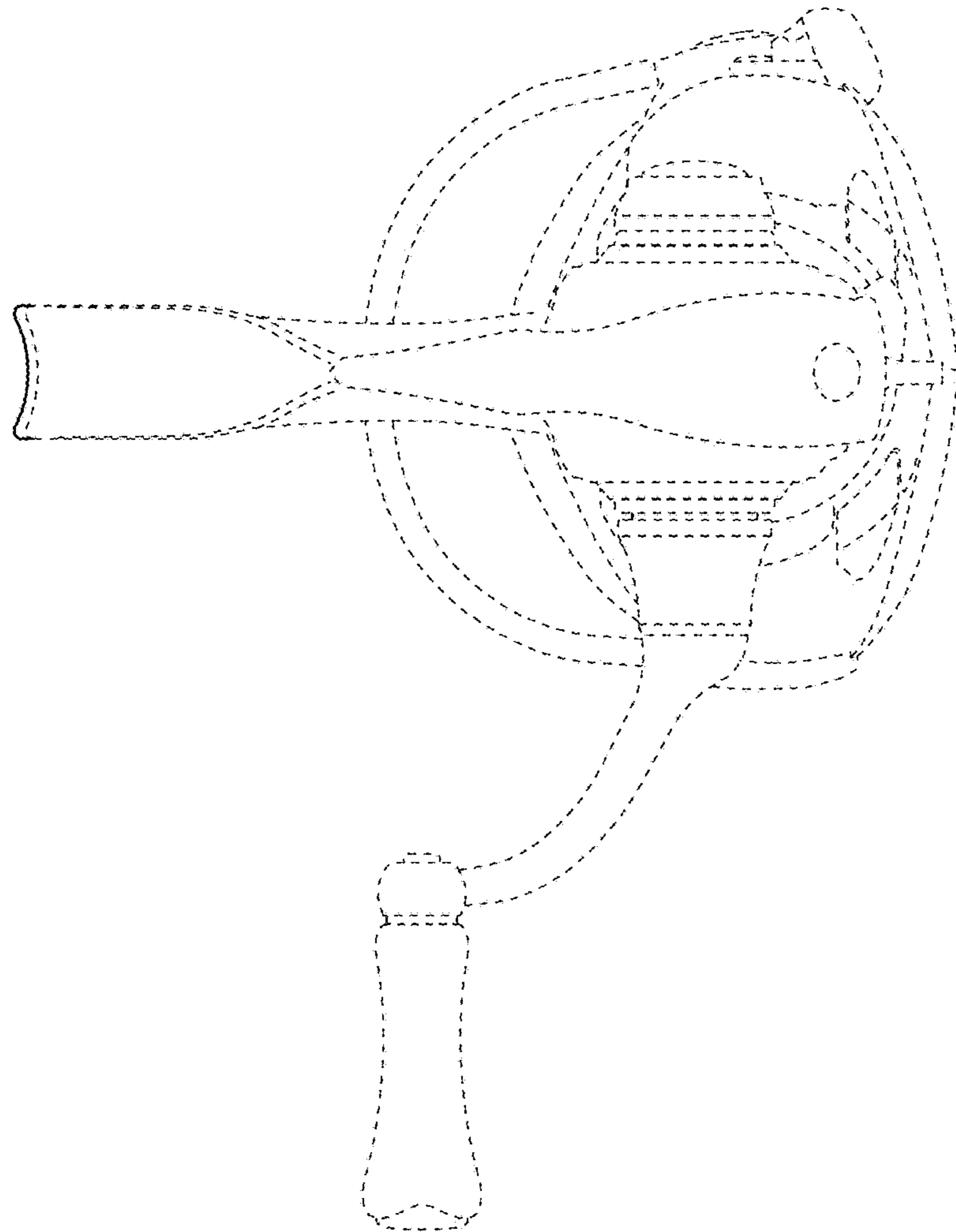


FIG. 5

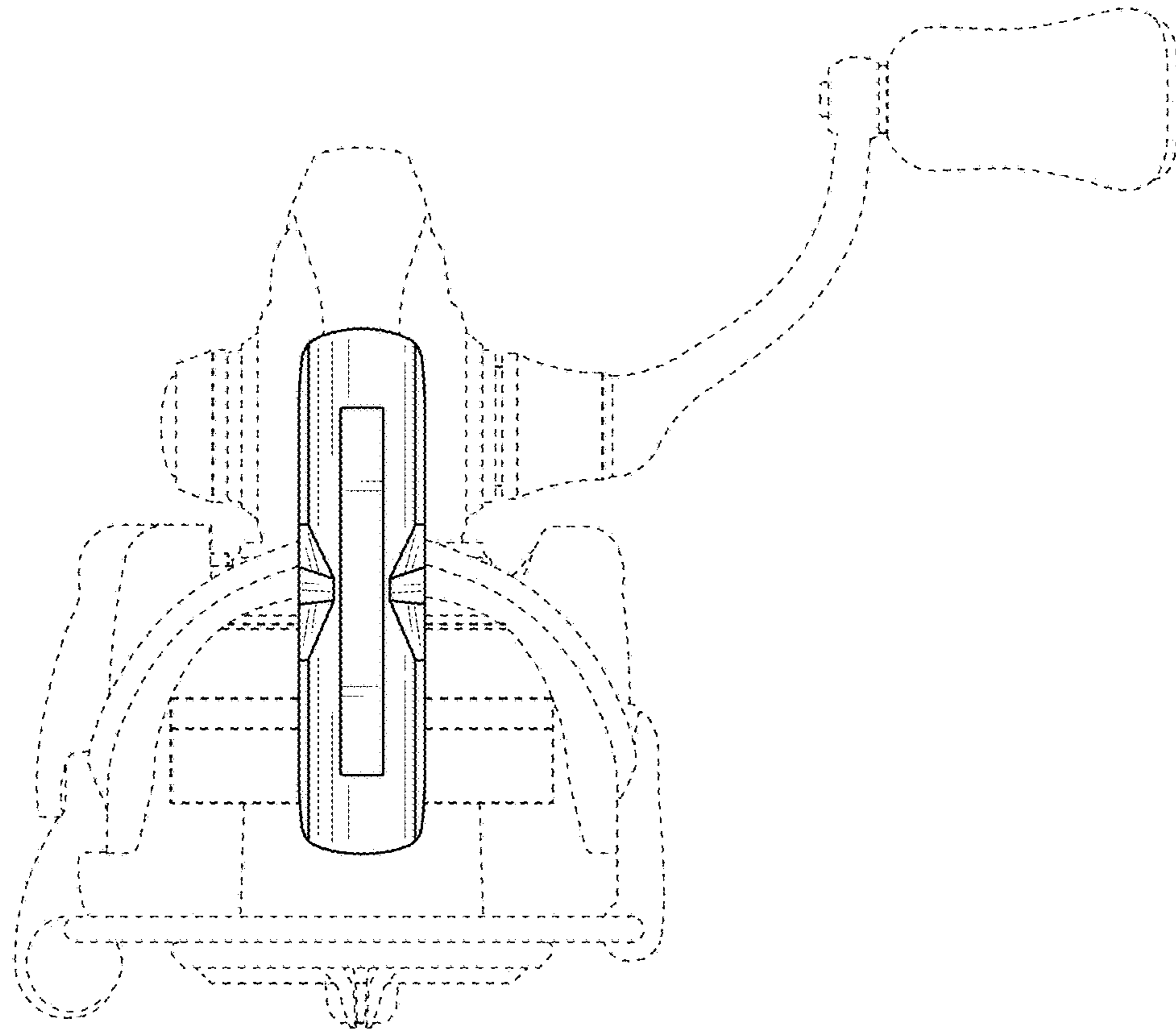


FIG. 6