



US00D853522S

(12) **United States Design Patent** (10) **Patent No.:** **US D853,522 S**
Horie et al. (45) **Date of Patent:** **** Jul. 9, 2019**

(54) **FISHING REEL**

(56) **References Cited**

(71) Applicant: **GLOBERIDE, INC.**,
Higashikurume-shi, Tokyo (JP)

(72) Inventors: **Hironori Horie**, Higashikurume (JP);
Yusuke Hirota, Higashikurume (JP);
Masayoshi Fujii, Higashikurume (JP);
Takashi Kondo, Musashino (JP)

U.S. PATENT DOCUMENTS

D308,090 S * 5/1990 Yeh D22/136
D723,655 S * 3/2015 Deguchi D22/141
D767,085 S * 9/2016 Nago D22/141

(73) Assignee: **GLOBERIDE, INC.**,
Higashikurume-shi, Tokyo (JP)

FOREIGN PATENT DOCUMENTS

JP 1476528 S 8/2013
JP 1505145 S 8/2014

(**) Term: **15 Years**

* cited by examiner

Primary Examiner — Catherine R Oliver-Garcia

(21) Appl. No.: **29/645,601**

(74) *Attorney, Agent, or Firm* — Sughrue Mion, PLLC

(22) Filed: **Apr. 27, 2018**

(57) **CLAIM**

The ornamental design for a fishing reel, as shown and described.

(30) **Foreign Application Priority Data**

DESCRIPTION

Oct. 30, 2017 (JP) 2017-024127

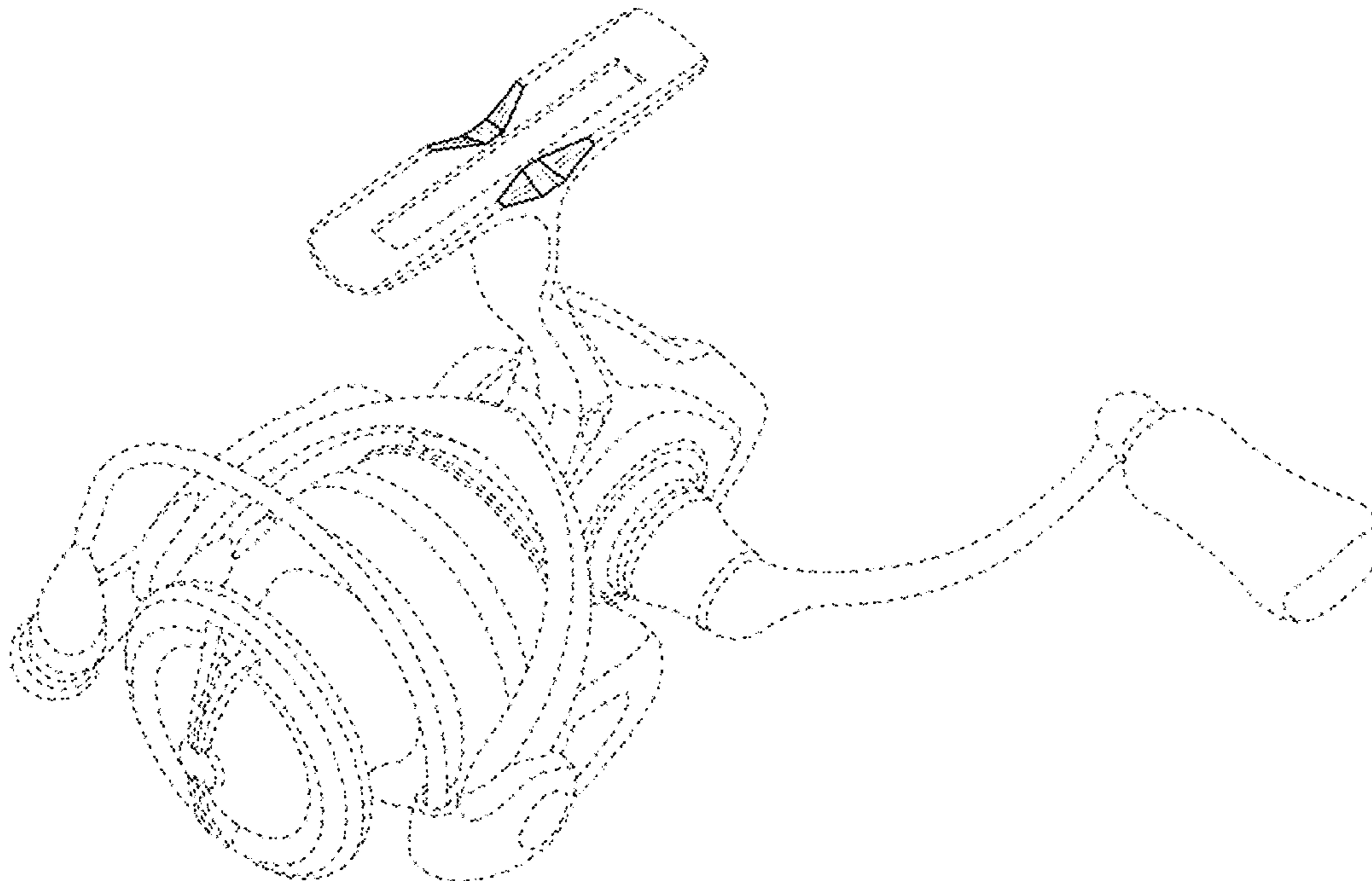
(51) **LOC (11) Cl.** **22-05**

(52) **U.S. Cl.**
USPC **D22/140**

(58) **Field of Classification Search**
USPC D22/137–141; 242/223–224, 227, 230,
242/234–240, 243, 283, 295, 310–318,
242/322, 370; 43/19–22
CPC A01K 89/00; A01K 89/01; A01K 89/015;
A01K 89/016; A01K 89/01121; A01K
89/001123; A01K 89/00126; F41B 5/1484
See application file for complete search history.

FIG. 1 is a front, left and top perspective view of a fishing reel showing our new design;
FIG. 2. is a front view thereof;
FIG. 3. is a rear view thereof;
FIG. 4. is a left side view thereof; and,
FIG. 5. is a top plan view thereof.
The broken lines shown represent unclaimed subject matter of the fishing reel and form no part of the claimed design.

1 Claim, 5 Drawing Sheets



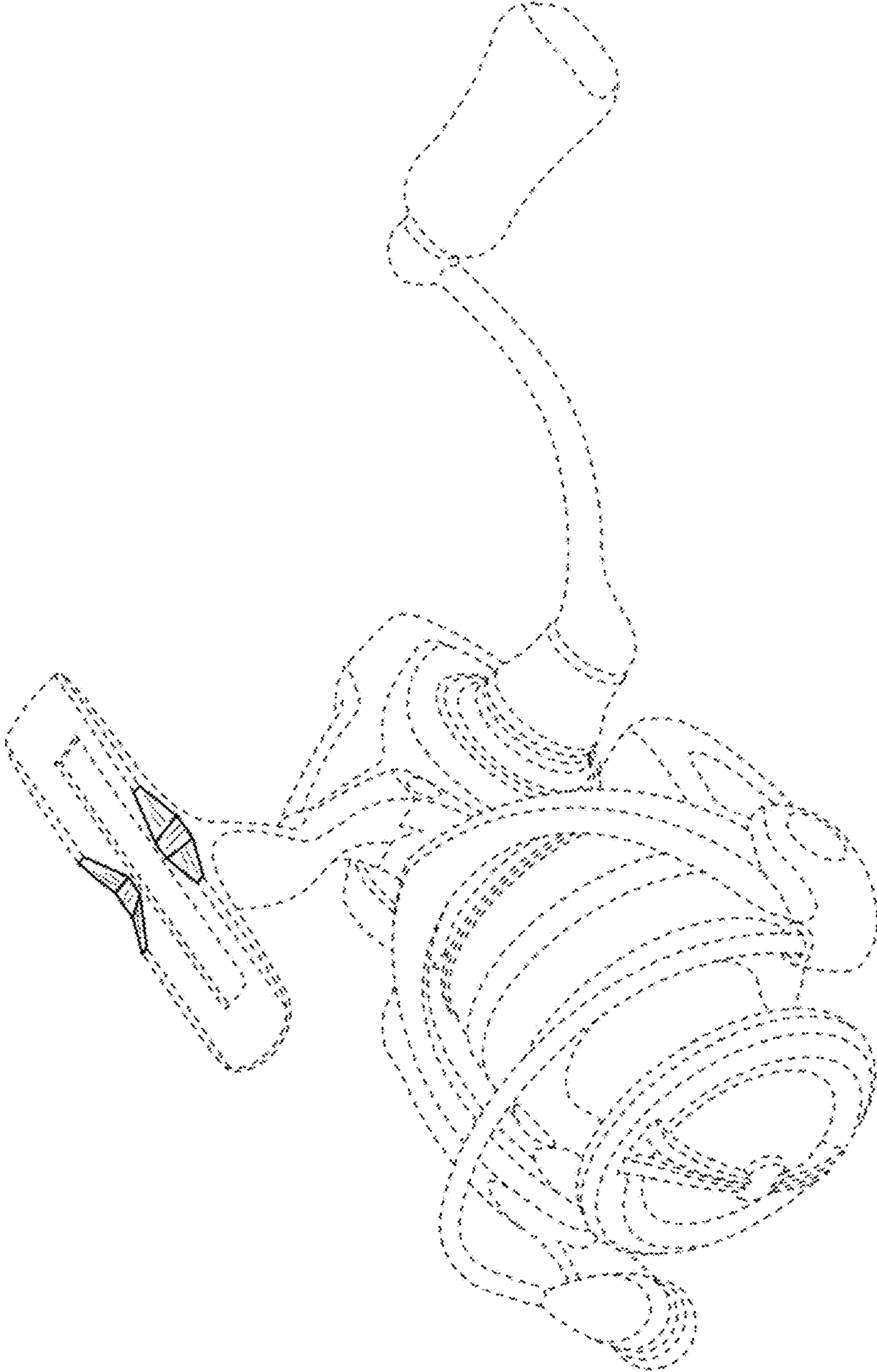


FIG. 1

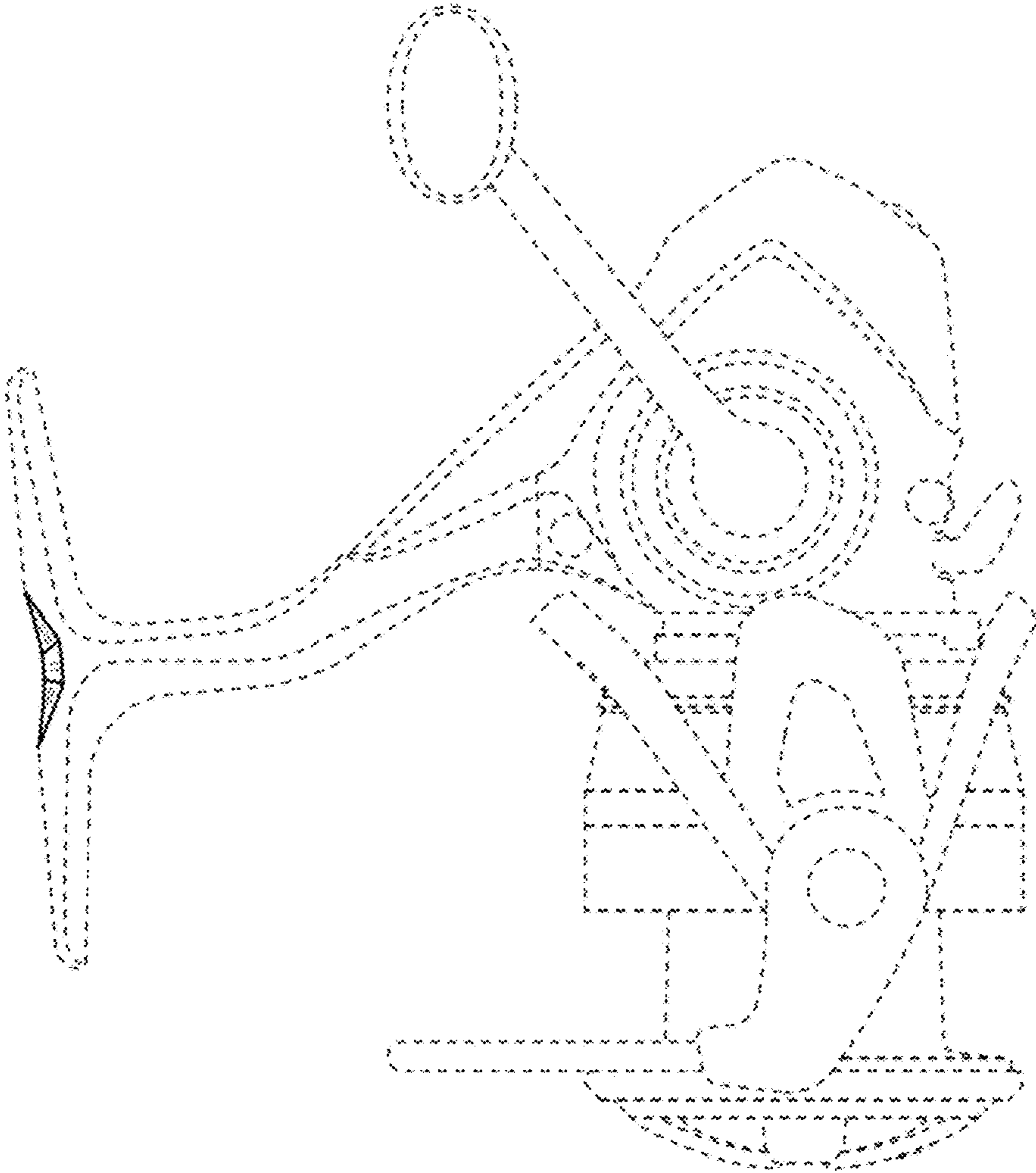


FIG. 2

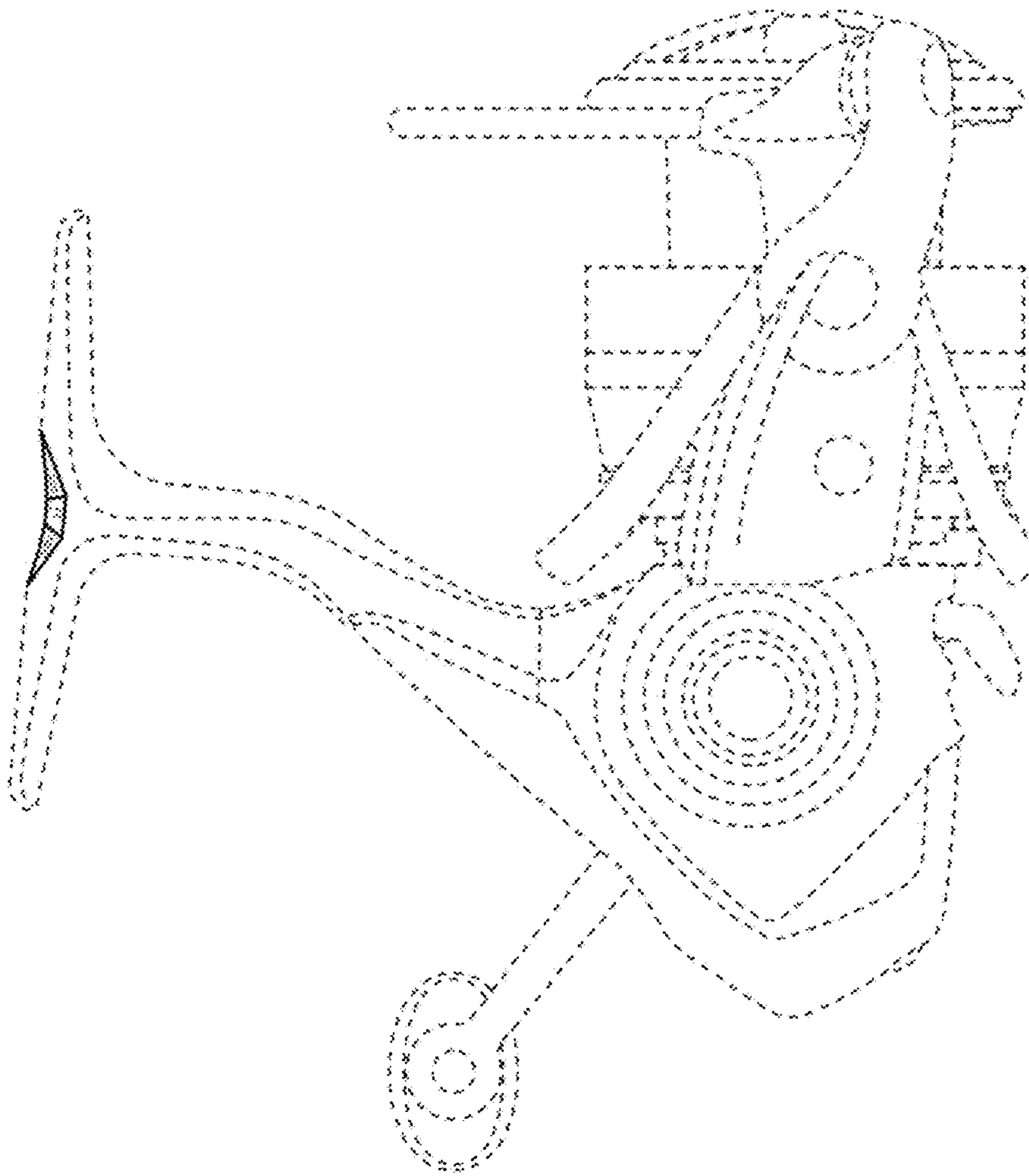


FIG. 3

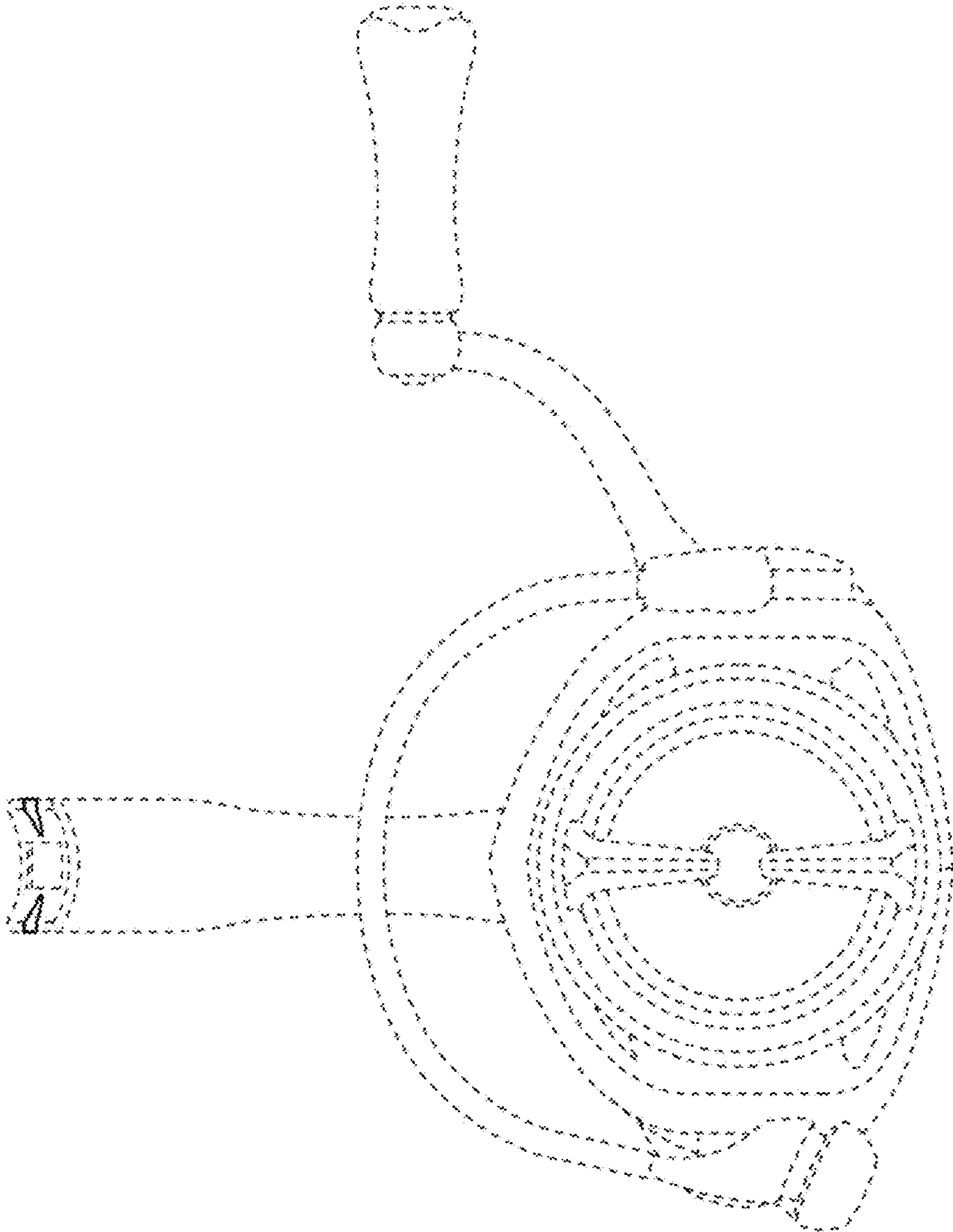


FIG. 4

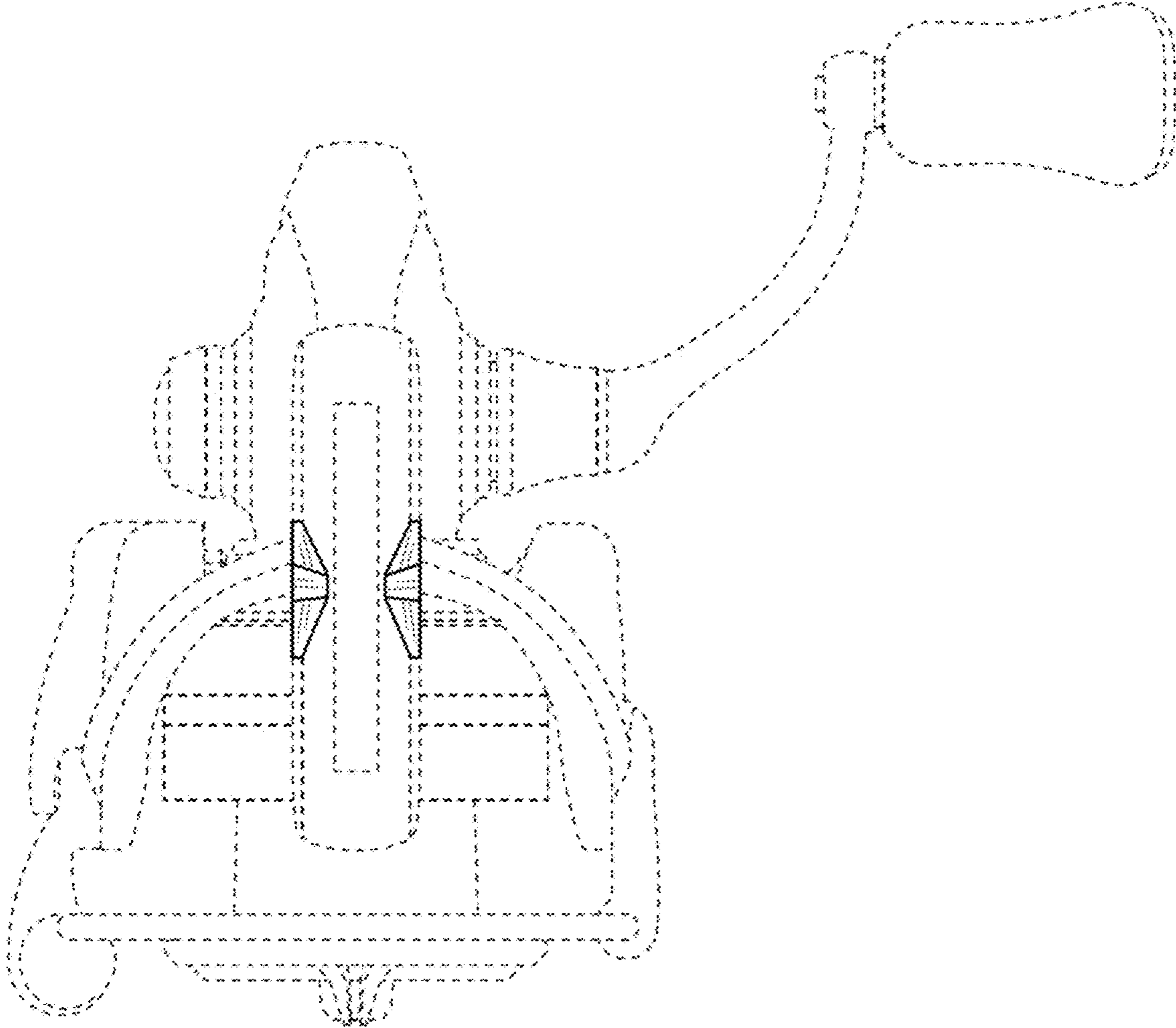


FIG. 5