



US00D853521S

(12) **United States Design Patent**
Evans

(10) **Patent No.:** **US D853,521 S**
(45) **Date of Patent:** **** Jul. 9, 2019**

- (54) **SHOOTING CLAY**
- (71) Applicant: **Kyle D. Evans**, Millville, CA (US)
- (72) Inventor: **Kyle D. Evans**, Millville, CA (US)
- (**) Term: **15 Years**
- (21) Appl. No.: **29/645,702**
- (22) Filed: **Apr. 27, 2018**
- (51) **LOC (11) Cl.** **22-04**
- (52) **U.S. Cl.**
USPC **D22/114**
- (58) **Field of Classification Search**
USPC D22/100, 101, 102, 103, 104, 105, 106,
D22/107, 108, 109, 110, 111, 113, 114,
D22/115, 116, 199; D21/300, 301, 302,
D21/306, 334, 335, 443, 571, 573–575,
D21/746
CPC F41C 23/14; F41C 23/20; F41C 23/04;
F41C 23/00; F41C 23/10; F41C 27/00;
F41C 7/00; F41C 23/06; F41C 3/00;
F41B 5/10; F41B 5/14; F41B 5/0094;
F41B 5/1469; F41B 5/00
See application file for complete search history.

(56) **References Cited**

U.S. PATENT DOCUMENTS

- D17,089 S * 2/1887 Hebbard D22/114
- D26,600 S * 2/1897 Hannold et al. D22/113
- D26,912 S * 4/1897 Parker D22/114
- D27,787 S * 10/1897 Barton D22/114
- 899,123 A * 9/1908 Mills F41J 1/01
273/362
- 2,250,252 A * 7/1941 Bingham, Jr. F41J 9/16
273/362
- 2,418,936 A * 4/1947 Hutchinson F41J 9/16
106/284
- D160,789 S * 11/1950 Jordan 124/42
- 2,650,829 A * 9/1953 Jordan F41J 9/16
273/362
- D208,334 S * 8/1967 Gerds D21/443

- 3,948,523 A * 4/1976 Michael A63H 27/12
473/588
- D272,751 S * 2/1984 Brackmann D21/443
- 5,174,581 A 12/1992 Goodson
- D346,413 S * 4/1994 Hellerman D21/443
- D351,450 S * 10/1994 Maryska D22/113
- D352,988 S * 11/1994 Jan D22/119
- D355,695 S * 2/1995 Moore D22/113
- D358,659 S * 5/1995 Rohrabacher D21/443
- D369,191 S * 4/1996 Dunipace D21/443

(Continued)

OTHER PUBLICATIONS

“Champion Standard Clay Targets 90 Count” [online]. dickssporting-goods.com. [Retrieved on Mar. 14, 2019]. Retrieved from the Internet: <<https://www.dickssportinggoods.com/p/champion-standard-clay-targets-90-count-17ctguchmpn90ctcltgs/17ctguchmpn90ctcltgs>>.*

(Continued)

Primary Examiner — Khawaja Anwar
Assistant Examiner — Mojtaba Tehrani
(74) *Attorney, Agent, or Firm* — Cramer Patent & Design, PLLC; Aaron R. Cramer

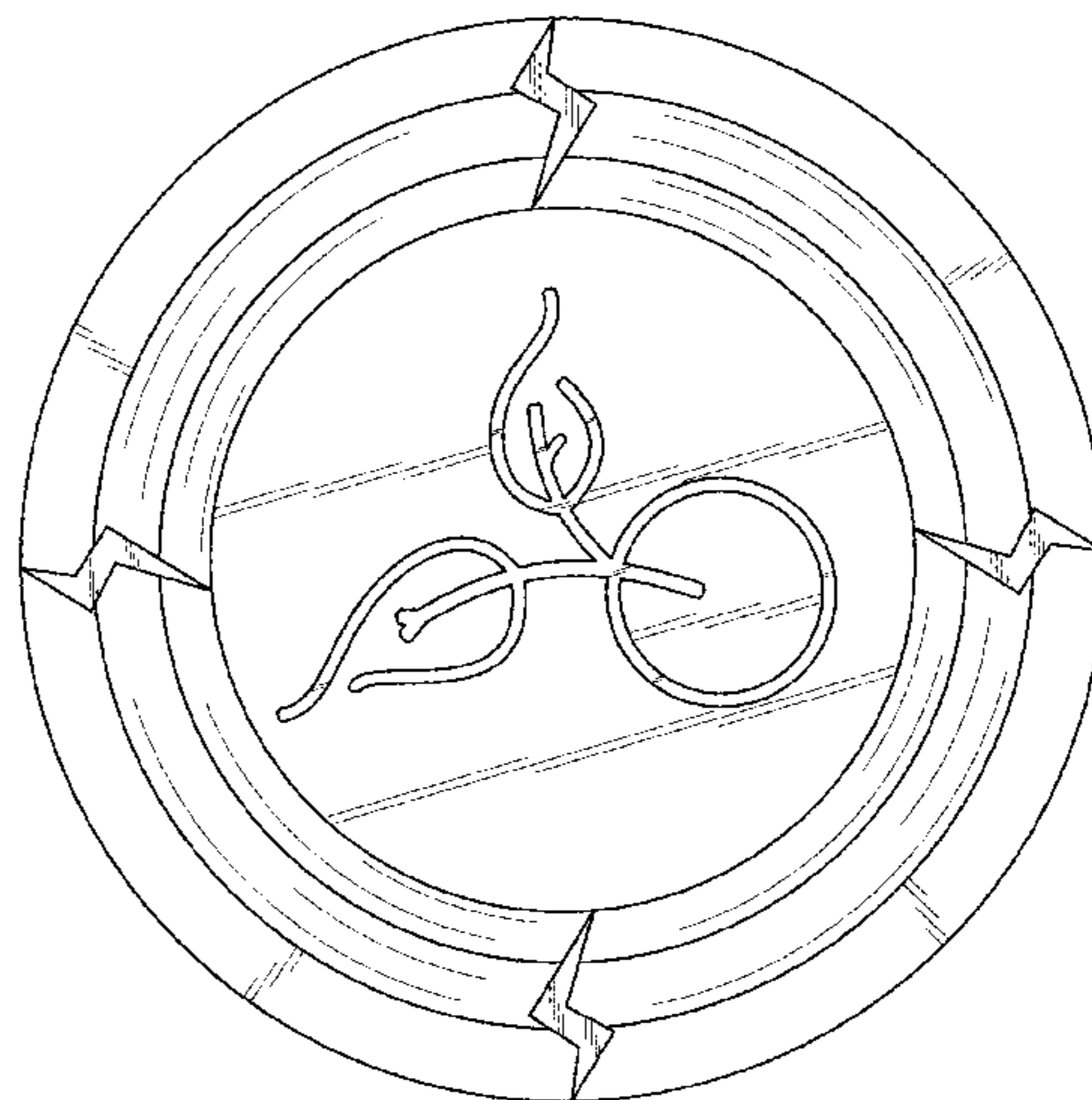
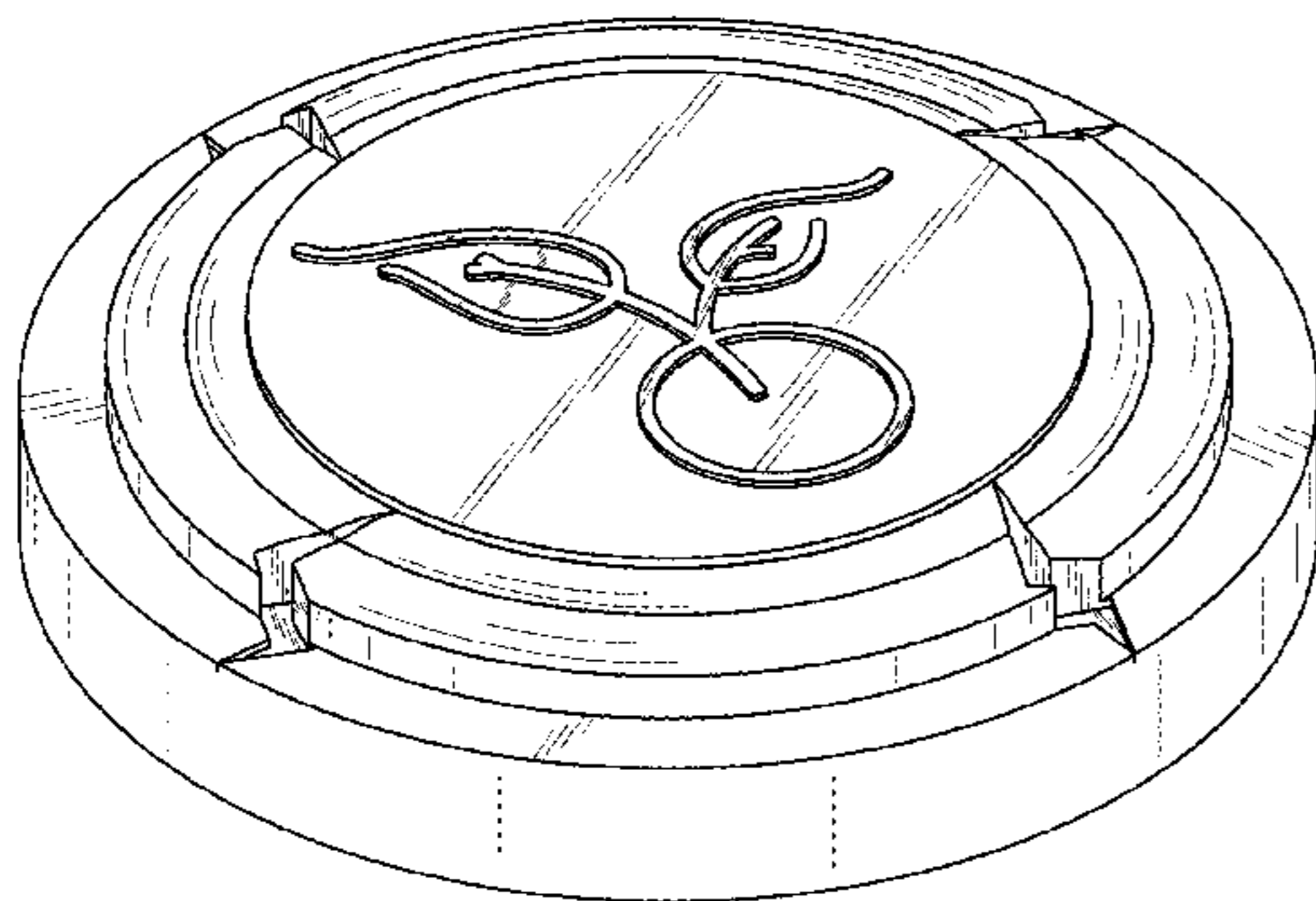
(57) **CLAIM**

The ornamental design for a shooting clay, as shown and described.

DESCRIPTION

FIG. 1 is a perspective top front right view of a shooting clay, showing my new design;
FIG. 2 is a perspective top rear left view thereof;
FIG. 3 is a front elevation view thereof;
FIG. 4 is a rear elevation view thereof;
FIG. 5 is a left elevation view thereof;
FIG. 6 is a right elevation view thereof;
FIG. 7 is a top plan view thereof; and,
FIG. 8 is a bottom plan view thereof.

1 Claim, 8 Drawing Sheets



(56)

References Cited

U.S. PATENT DOCUMENTS

5,651,550 A 7/1997 LaVorgna et al.
D386,222 S * 11/1997 Dunipace D21/443
D388,134 S * 12/1997 Dunipace D21/443
D395,483 S * 6/1998 Maryska D22/100
5,788,243 A * 8/1998 Harshaw C08L 97/02
273/363
D401,288 S * 11/1998 Dunipace D21/443
D402,318 S * 12/1998 Dunipace D21/443
D414,823 S * 10/1999 Gardner D21/443
D464,088 S * 10/2002 Hu D21/443
D527,428 S * 8/2006 Cooper D21/443
D683,516 S * 6/2013 Elias D1/106
D725,197 S * 3/2015 Thompson D21/443
D725,713 S * 3/2015 Thompson D21/443
D725,714 S * 3/2015 Kim D21/443
D763,969 S * 8/2016 Jeager D21/443
2002/0040670 A1 4/2002 Hornak

OTHER PUBLICATIONS

Author Hippie Powder™. Product listing [online]. © Hippie Powder
[retrieved on Nov. 27, 2017]. Retrieved from the Internet: <URL:
<http://hippiepowder.com/author/mexicanthreadsgmail-com/>>.

* cited by examiner

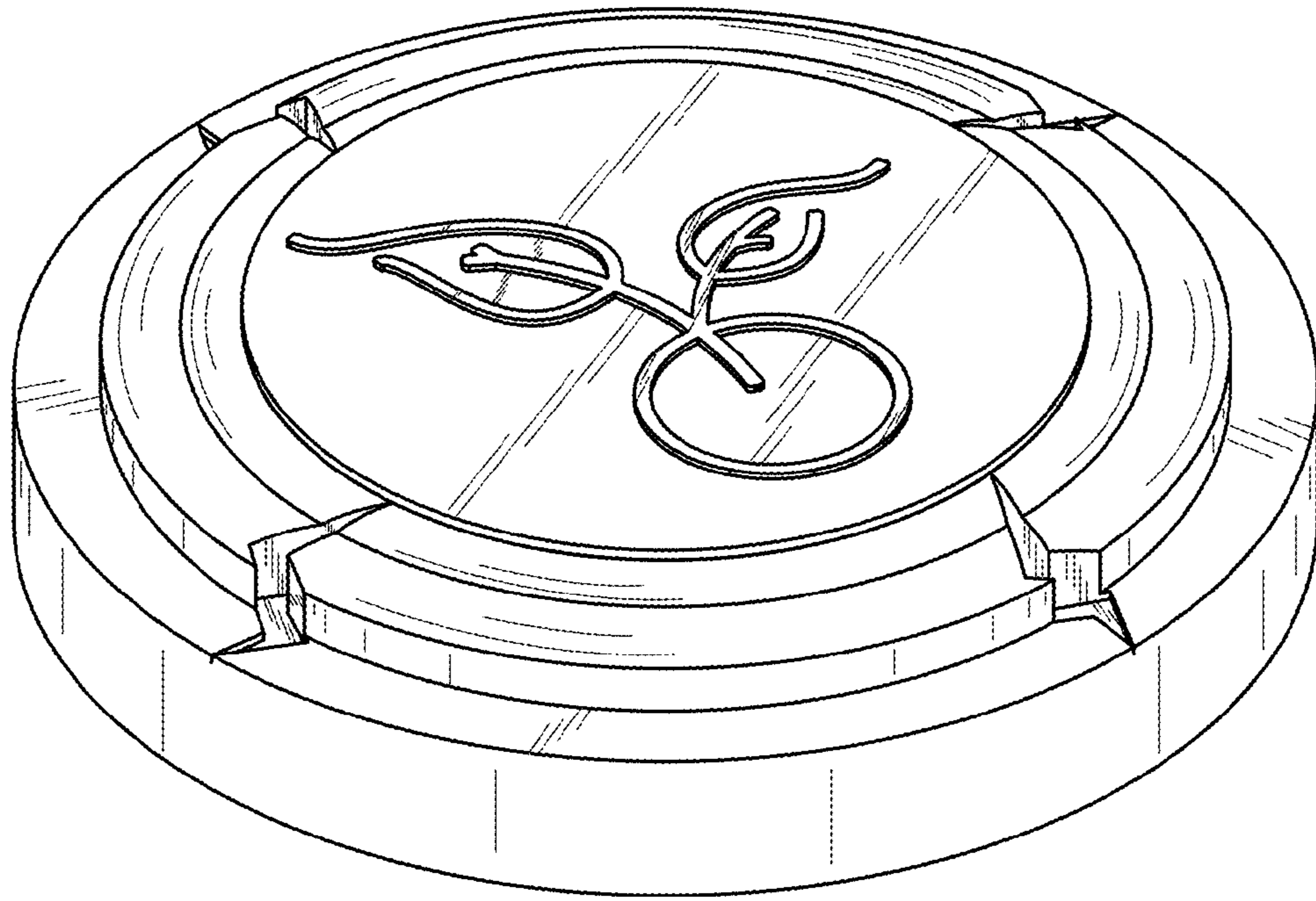


FIG. 1

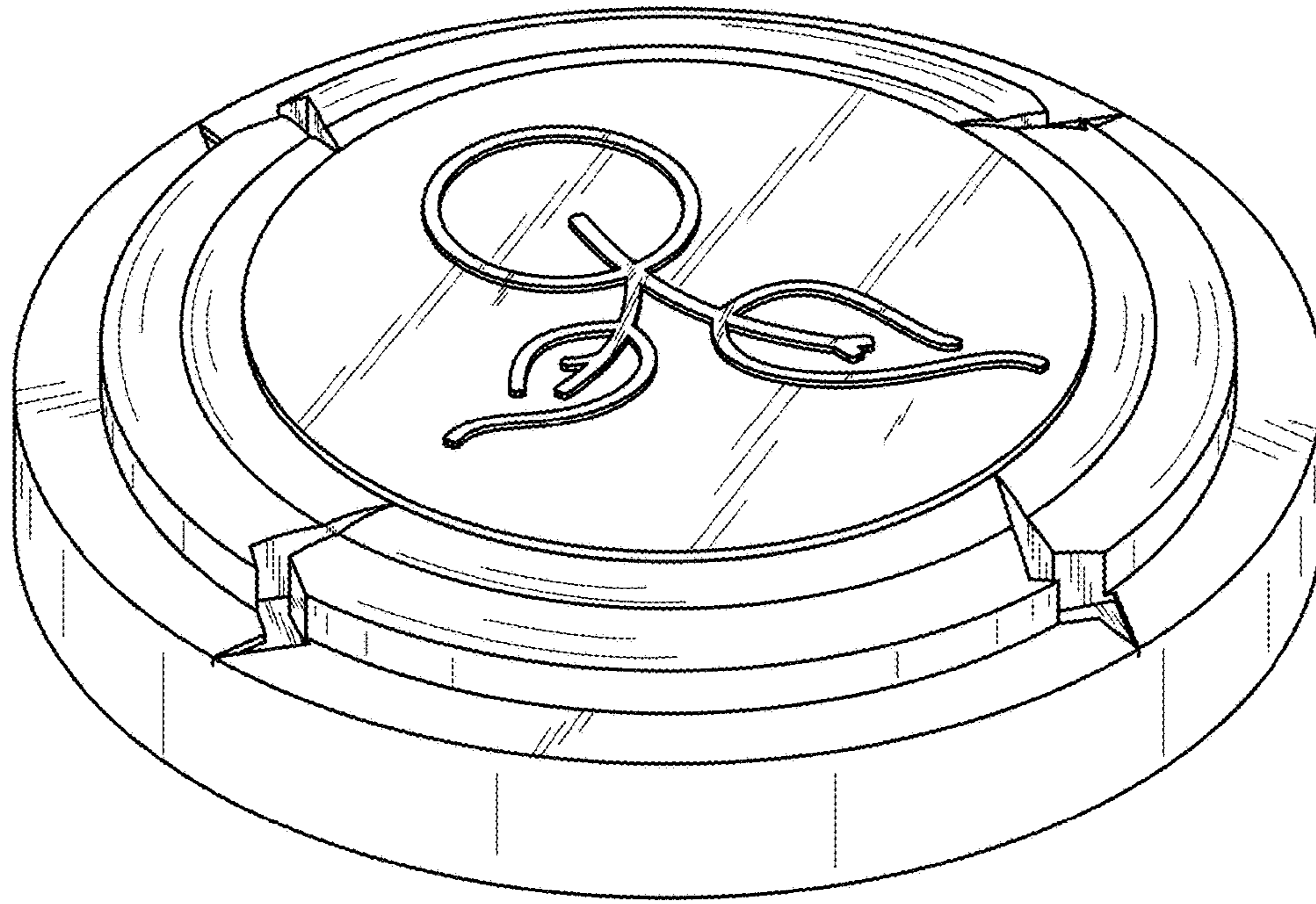


FIG. 2

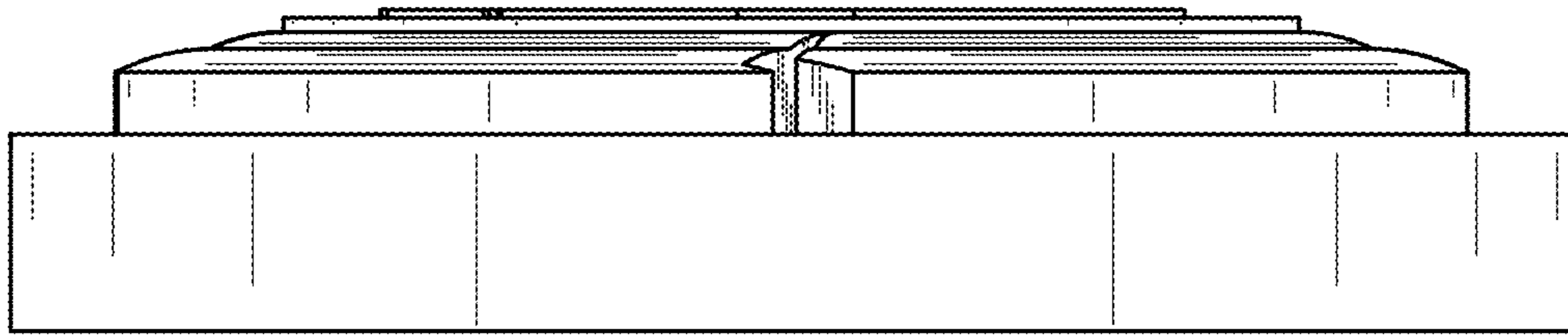


FIG. 3

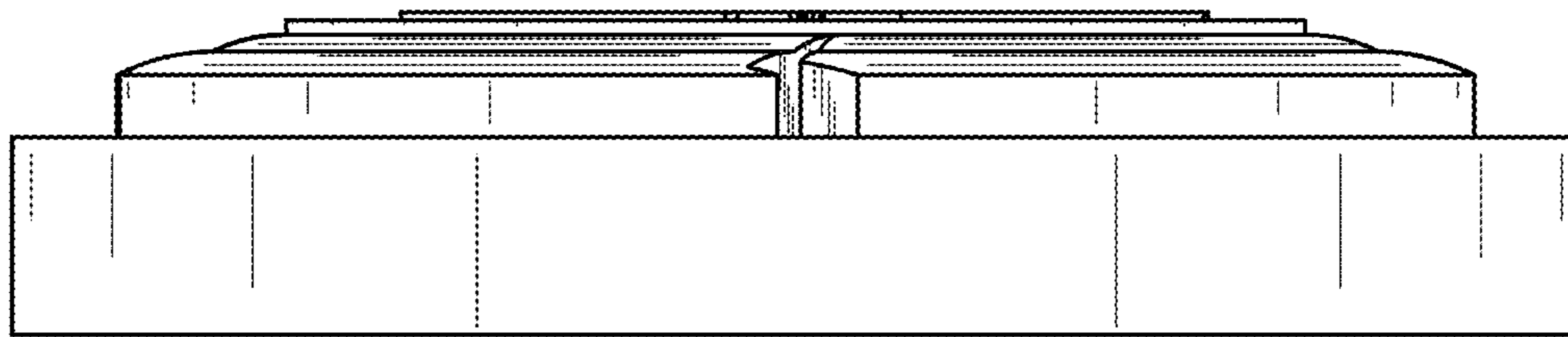


FIG. 4

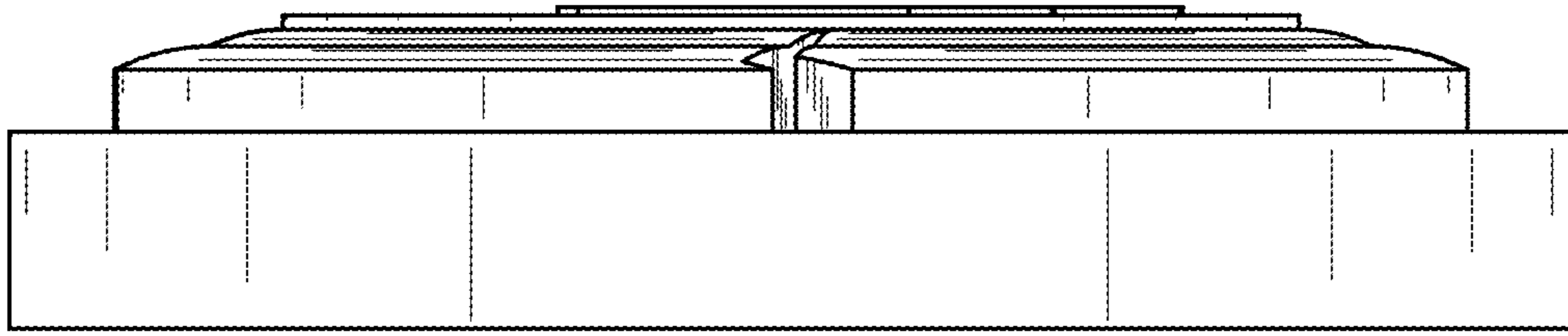


FIG. 5

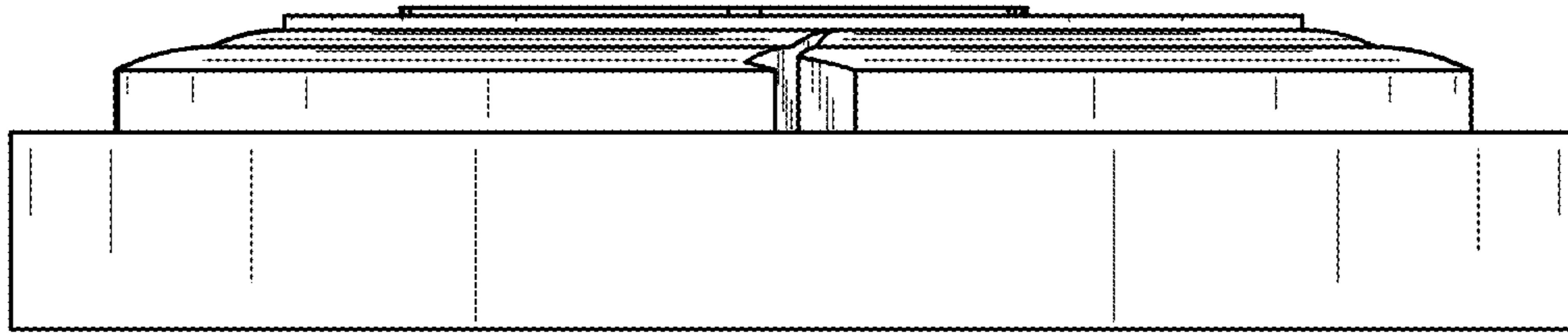


FIG. 6

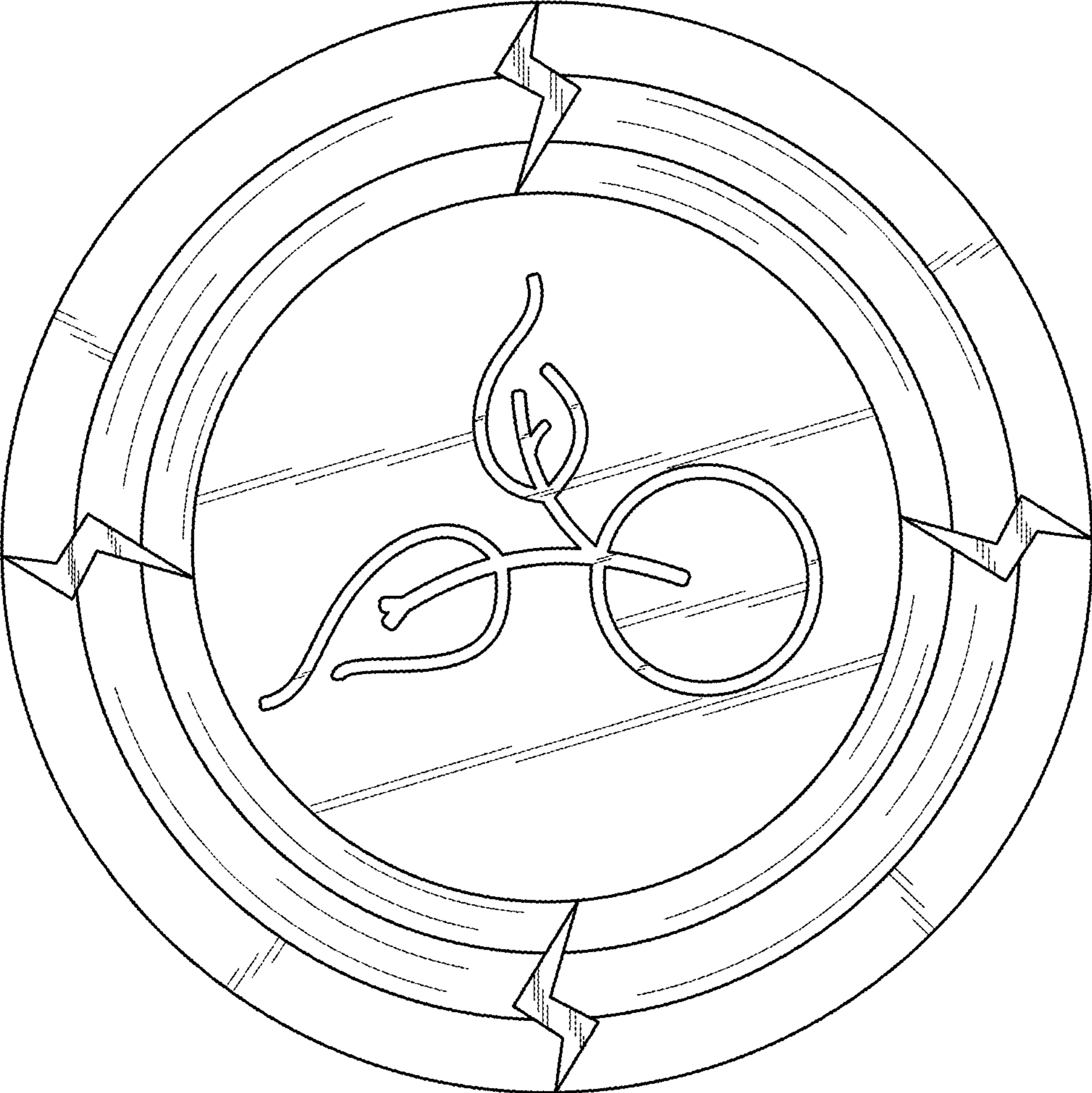


FIG. 7

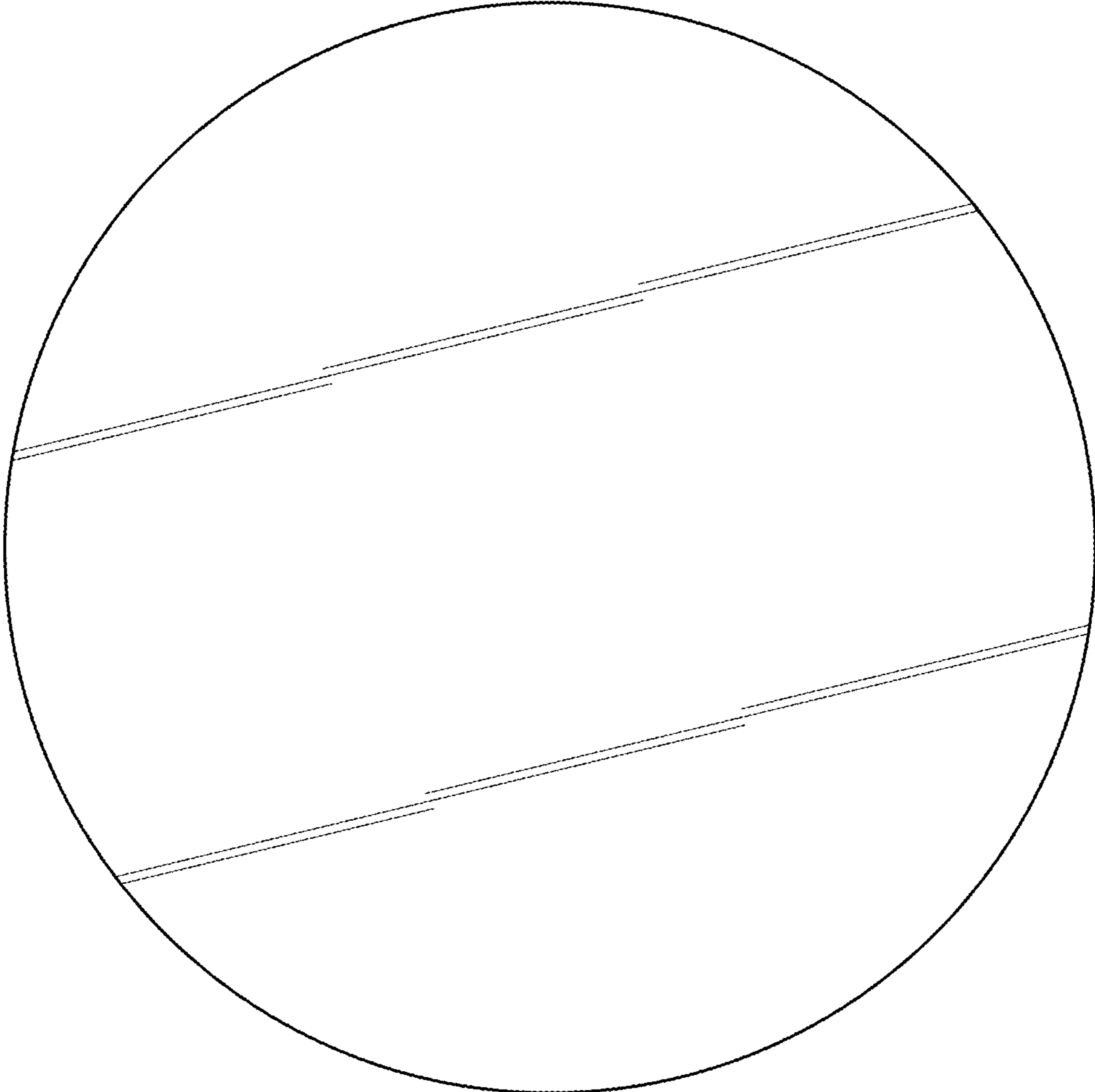


FIG. 8