



US00D853520S

(12) **United States Design Patent**  
**Cheng**

(10) **Patent No.:** **US D853,520 S**  
(45) **Date of Patent:** **\*\* Jul. 9, 2019**

(54) **EXTENDED MAGAZINE INNER SLEEVE**

(71) Applicant: **KRISS INDUSTRIES ASIA LTD.**,  
New Taipei (TW)

(72) Inventor: **Li-Te Cheng**, New Taipei (TW)

(73) Assignee: **KRISS INDUSTRIES ASIA LTD.**,  
New Taipei (TW)

(\*\*) Term: **15 Years**

(21) Appl. No.: **29/648,124**

(22) Filed: **May 18, 2018**

(51) **LOC (11) Cl.** ..... **22-01**

(52) **U.S. Cl.**  
USPC ..... **D22/108**

(58) **Field of Classification Search**

USPC ..... D22/100, 101, 102, 103, 104, 105, 106,  
D22/107, 108, 109, 110, 111, 115, 116,  
D22/199; D21/300, 301, 302, 306, 334,  
D21/335, 443, 571, 573-575, 746

CPC ..... F41C 23/14; F41C 23/20; F41C 23/04;  
F41C 23/00; F41C 23/10; F41C 27/00;  
F41C 7/00; F41C 23/06; F41C 3/00;  
F41B 5/10; F41B 5/14; F41B 5/0094;  
F41B 5/1469; F41B 5/00

See application file for complete search history.

(56) **References Cited**

**U.S. PATENT DOCUMENTS**

5,461,811	A *	10/1995	Ciener	.....	F41A 9/65 42/49.02
8,713,835	B1 *	5/2014	Calvert	.....	F41A 9/71 42/49.01
D748,219	S *	1/2016	Kielsmeier	.....	D22/108
D757,884	S *	5/2016	Kielsmeier	.....	D22/108
D783,111	S *	4/2017	Hillis	.....	D22/108
D810,223	S *	2/2018	Kielsmeier	.....	D22/108
D834,130	S *	11/2018	Scheffer	.....	D22/108
2013/0227870	A1 *	9/2013	Rendulic	.....	F41A 9/65 42/50
2015/0192377	A1 *	7/2015	Larson, Jr.	.....	F41A 9/70 42/50

**OTHER PUBLICATIONS**

“Kriss USA Announce High Capacity 9mm and 10mm Glock® Magazine Extensions for Shot Show 2019” [online]. kriss-usa.com. [Published on Jan. 15, 2019]. Retrieved from the Internet: <https://kriss-usa.com/press-release/428-kriss-usa-announce-high-capacity-9mm-and-10mm-glock-magazine-extensions>.\*

(Continued)

*Primary Examiner* — Khawaja Anwar

*Assistant Examiner* — Mojtaba Tehrani

(74) *Attorney, Agent, or Firm* — Tim Tingkang Xia, Esq.;  
Locke Lord LLP

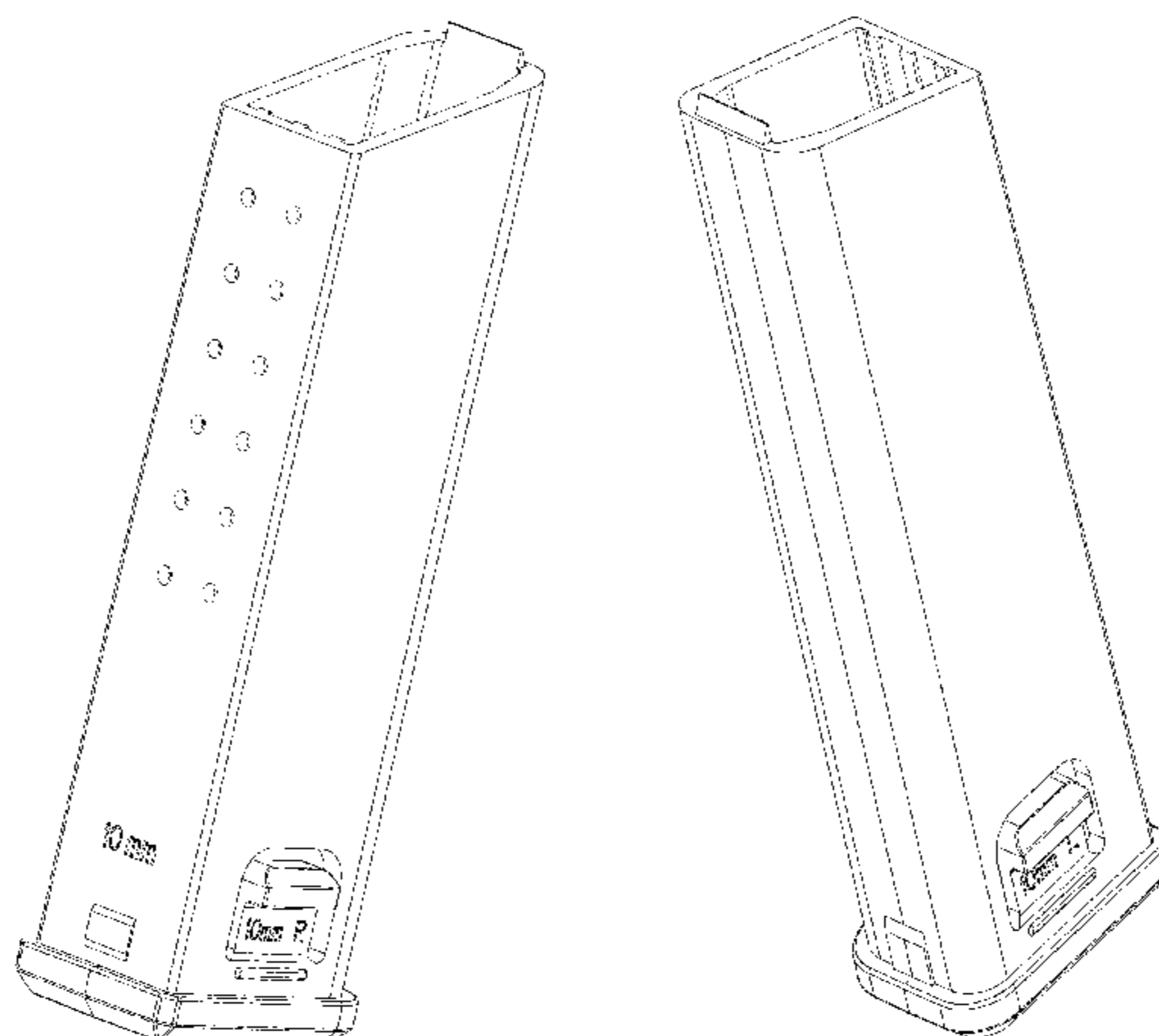
(57) **CLAIM**

The ornamental design for an extended magazine inner sleeve, as shown and described.

**DESCRIPTION**

FIG. 1 is a perspective view of an extended magazine inner sleeve according to my new design;  
FIG. 2 is a perspective view thereof from another angle;  
FIG. 3 is a front view thereof;  
FIG. 4 is a rear view thereof;  
FIG. 5 is a left side view thereof;  
FIG. 6 is a right side view thereof;  
FIG. 7 is a top view thereof;  
FIG. 8 is a bottom view thereof;  
FIG. 9 is a use state reference view thereof;  
FIG. 10 is a reference view thereof A;  
FIG. 11 is an area A enlargement view thereof; and,  
FIG. 12 is an area B enlargement view thereof.  
The dash-dot broken line in the drawings depicts boundary of the enlarged views; the evenly broken line depicts unclaimed portion of the magazine inner sleeve. The broken lines form no part of the claimed design.

**1 Claim, 12 Drawing Sheets**



(56)

**References Cited**

OTHER PUBLICATIONS

“MBX PCC Competition Extension” [online]. Mr. Race Gun.  
[Published on Oct. 13, 2017]. Retrieved from the Internet: <<https://www.youtube.com/watch?v=5APQJj10-r4>>.\*

\* cited by examiner

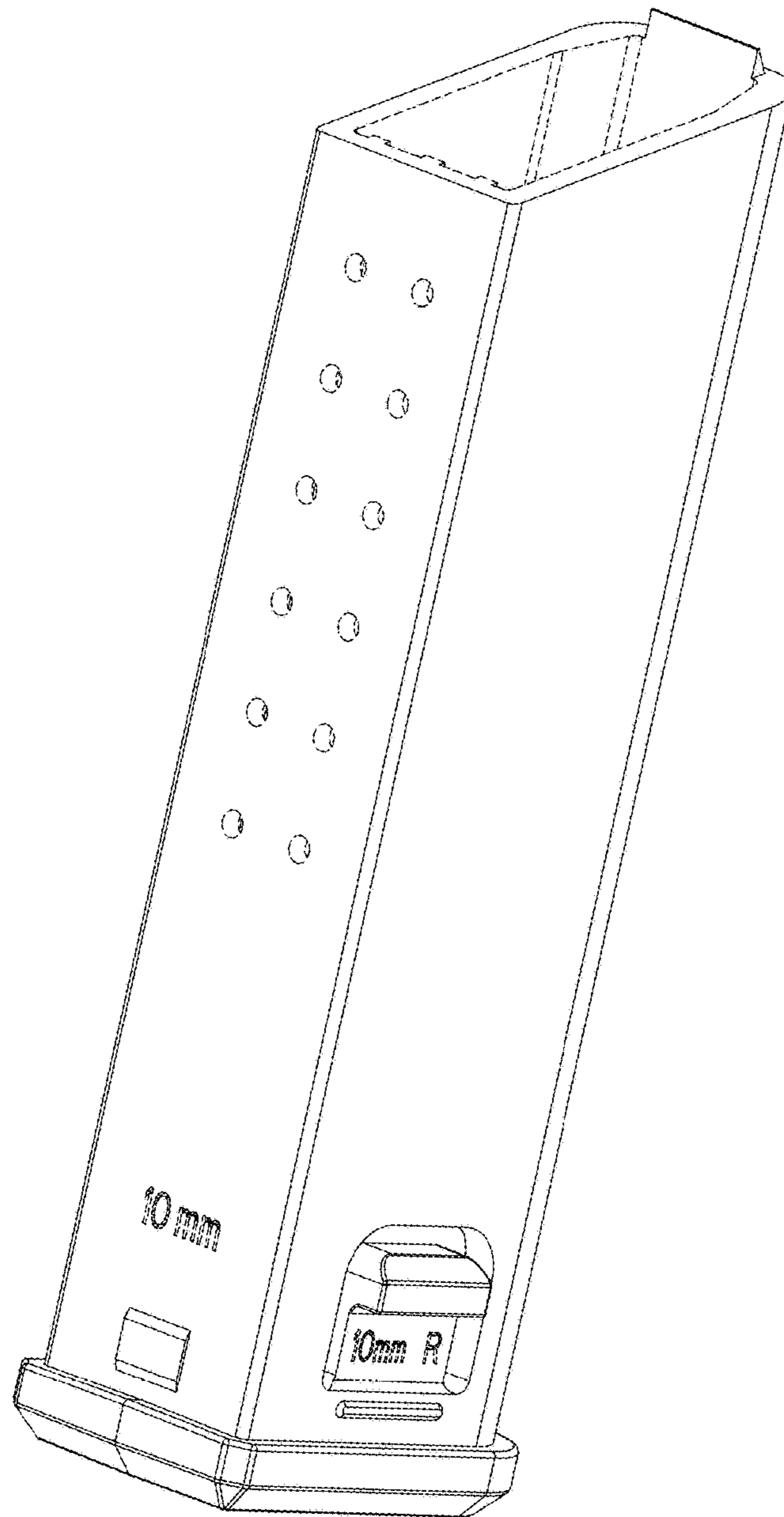


Fig. 1

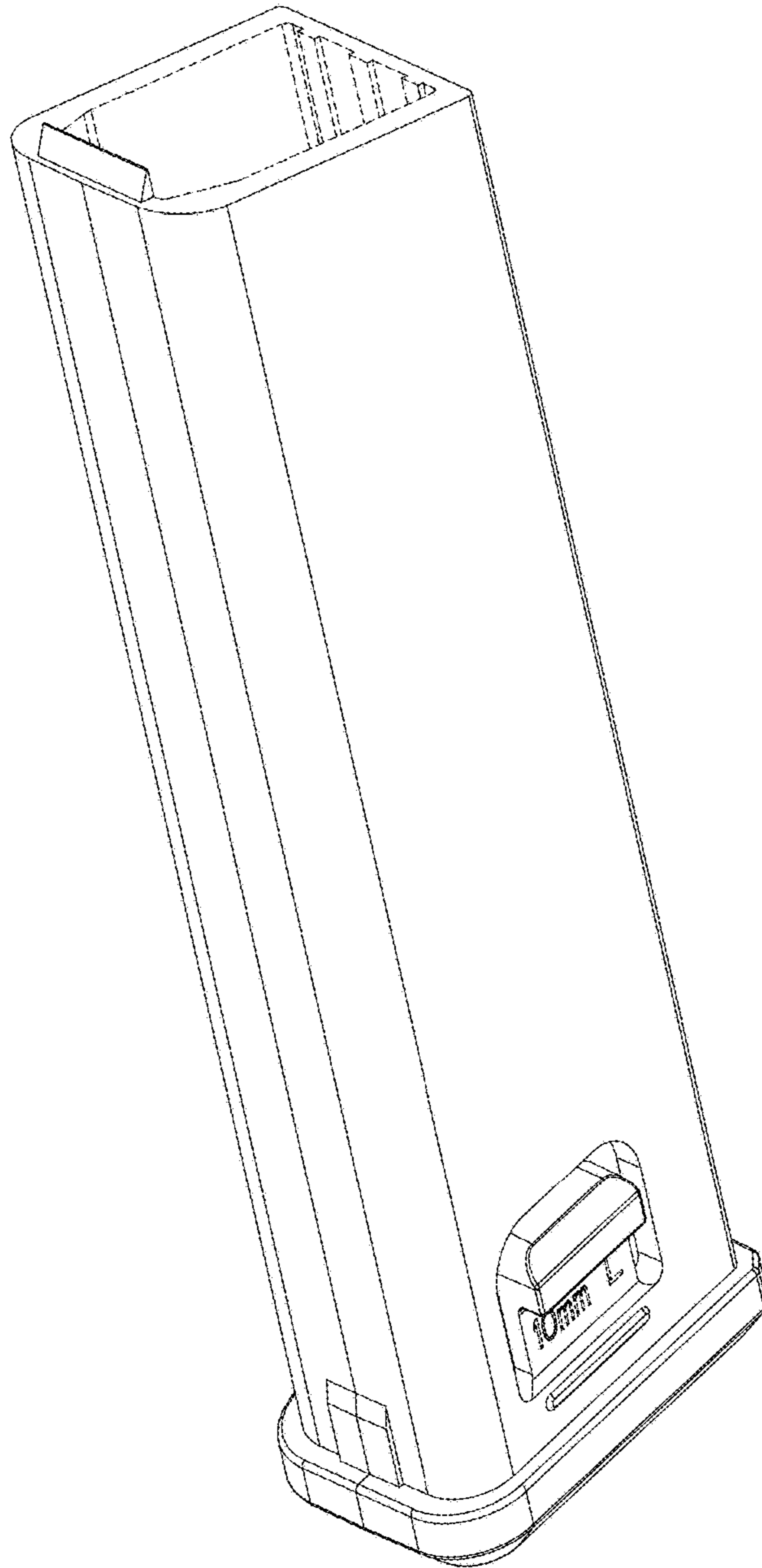


Fig. 2

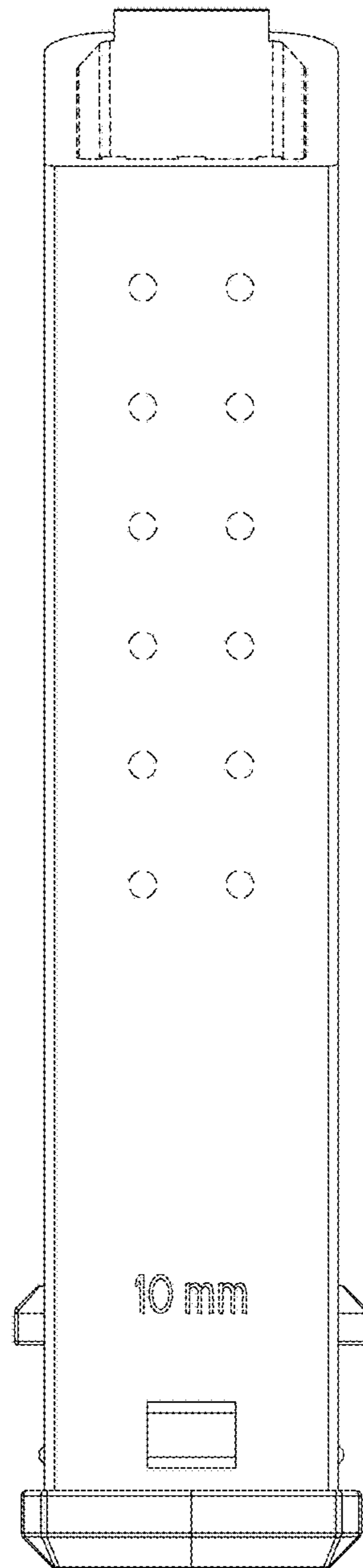


Fig. 3

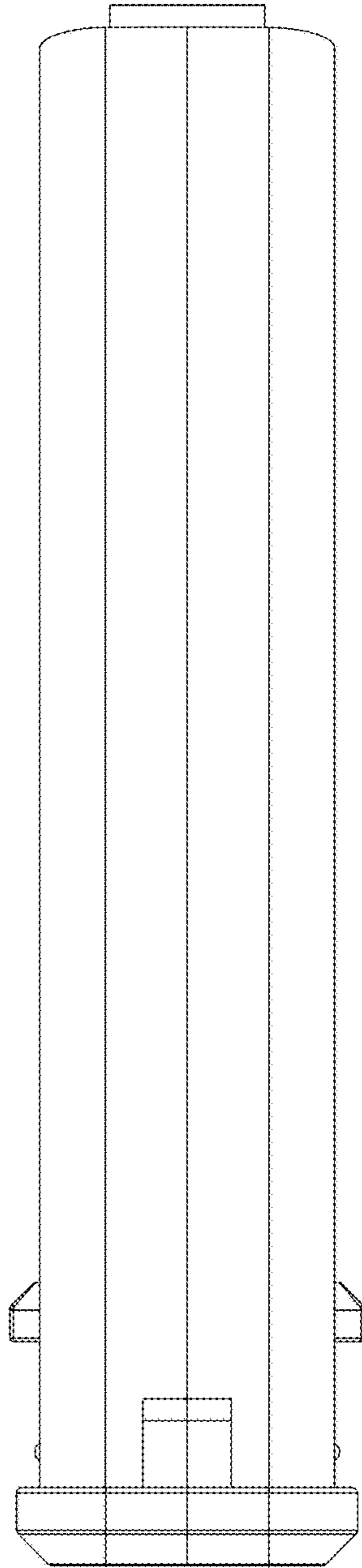


Fig. 4

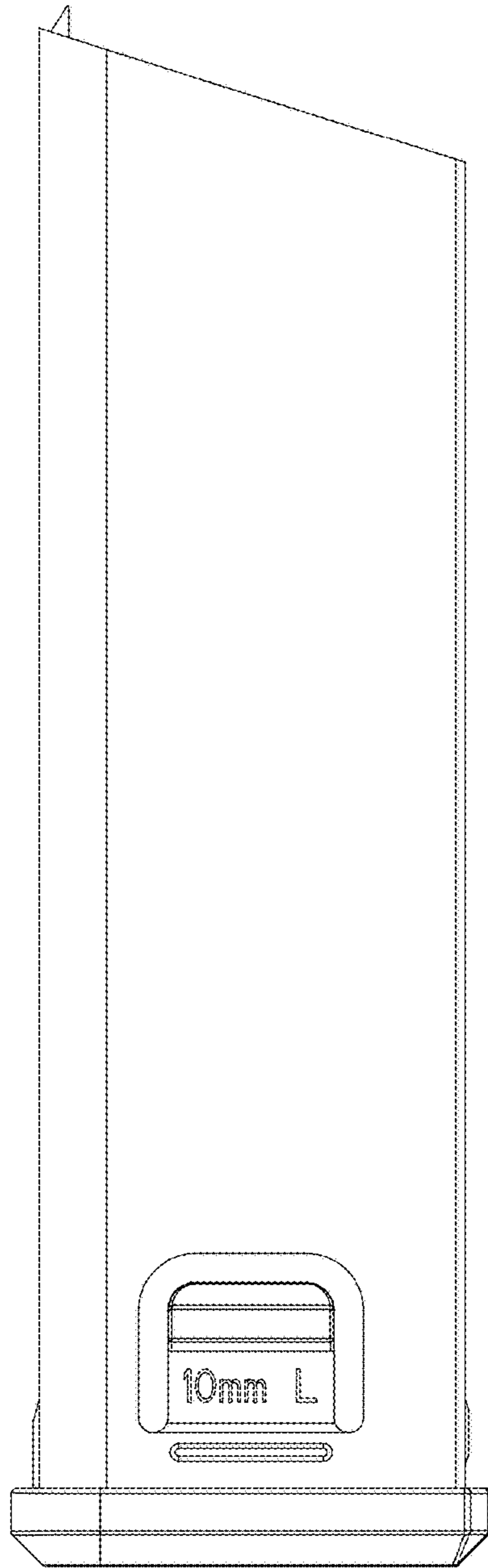


Fig. 5



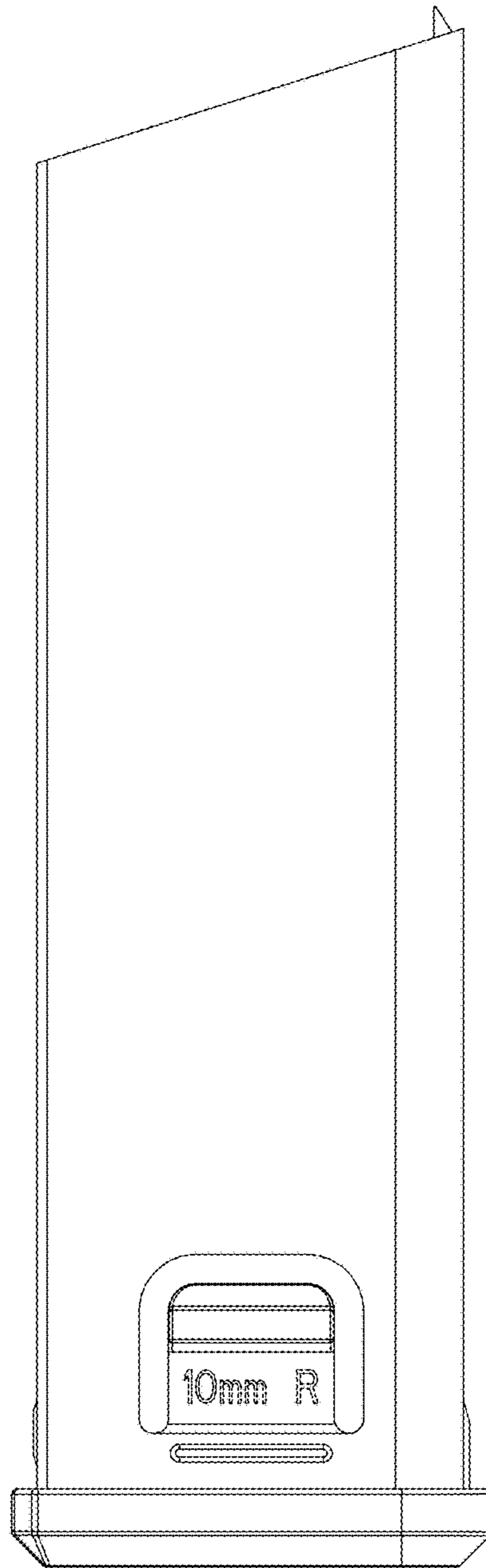


Fig. 6



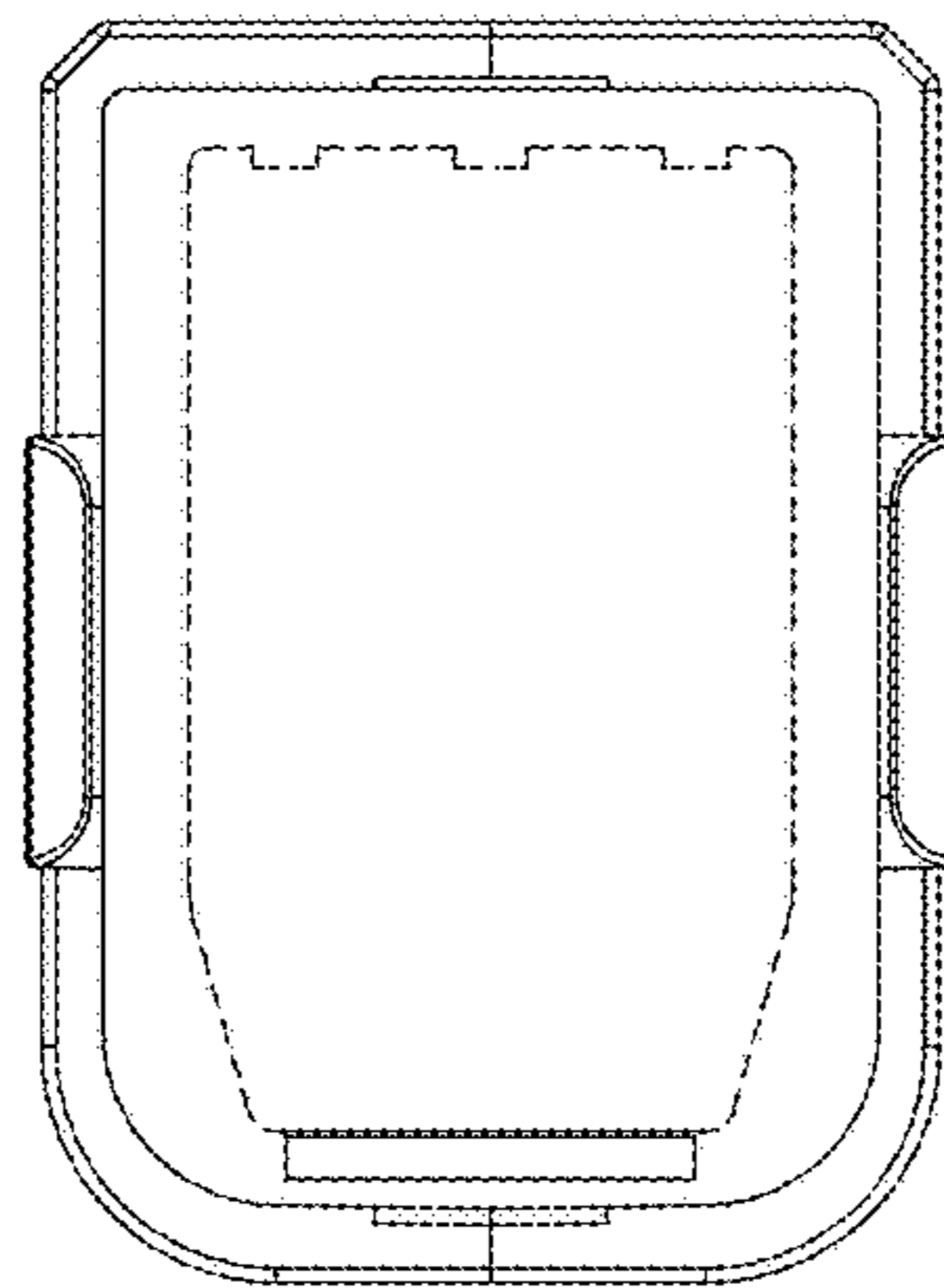


Fig. 7

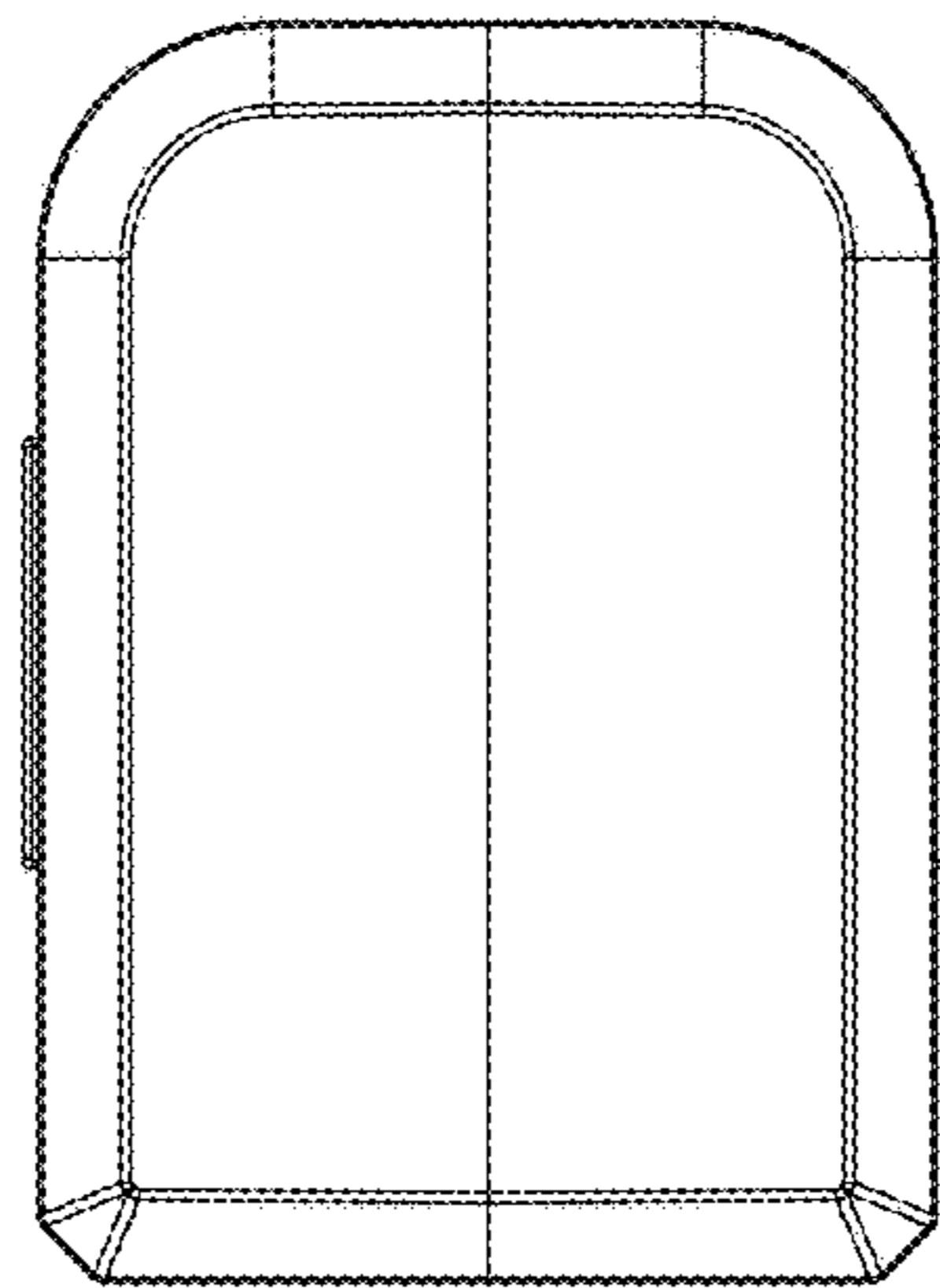


Fig. 8

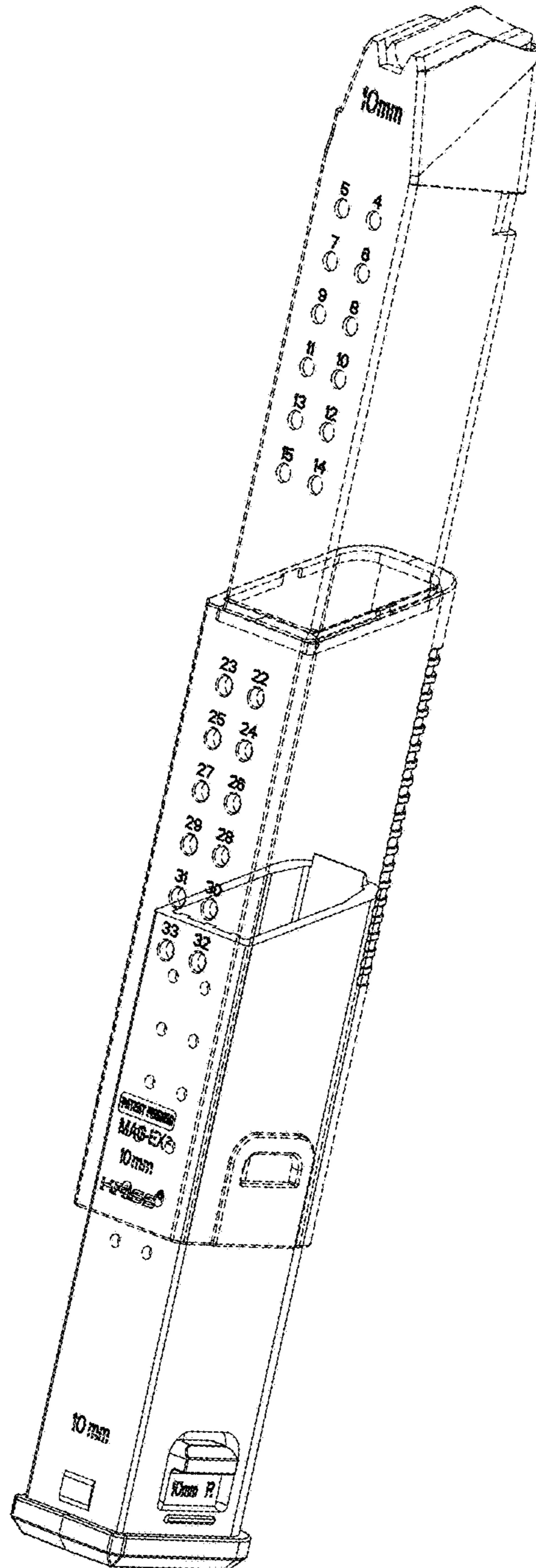


Fig. 9

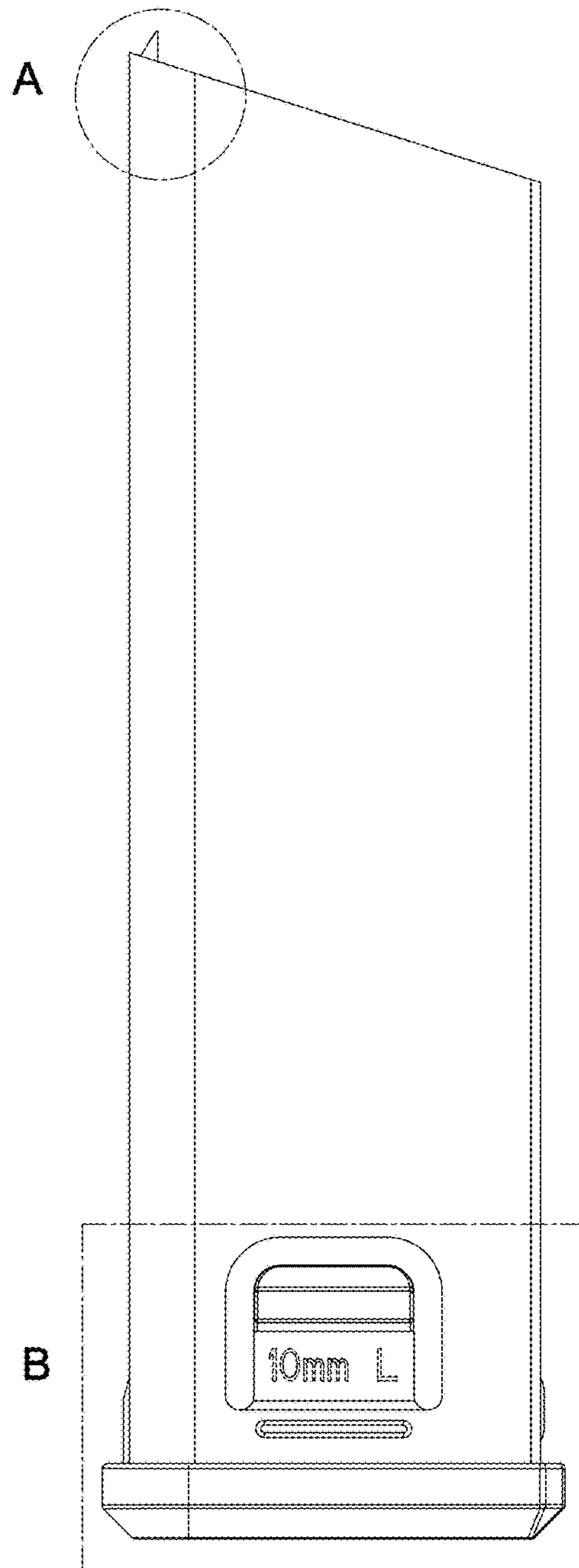


Fig. 10

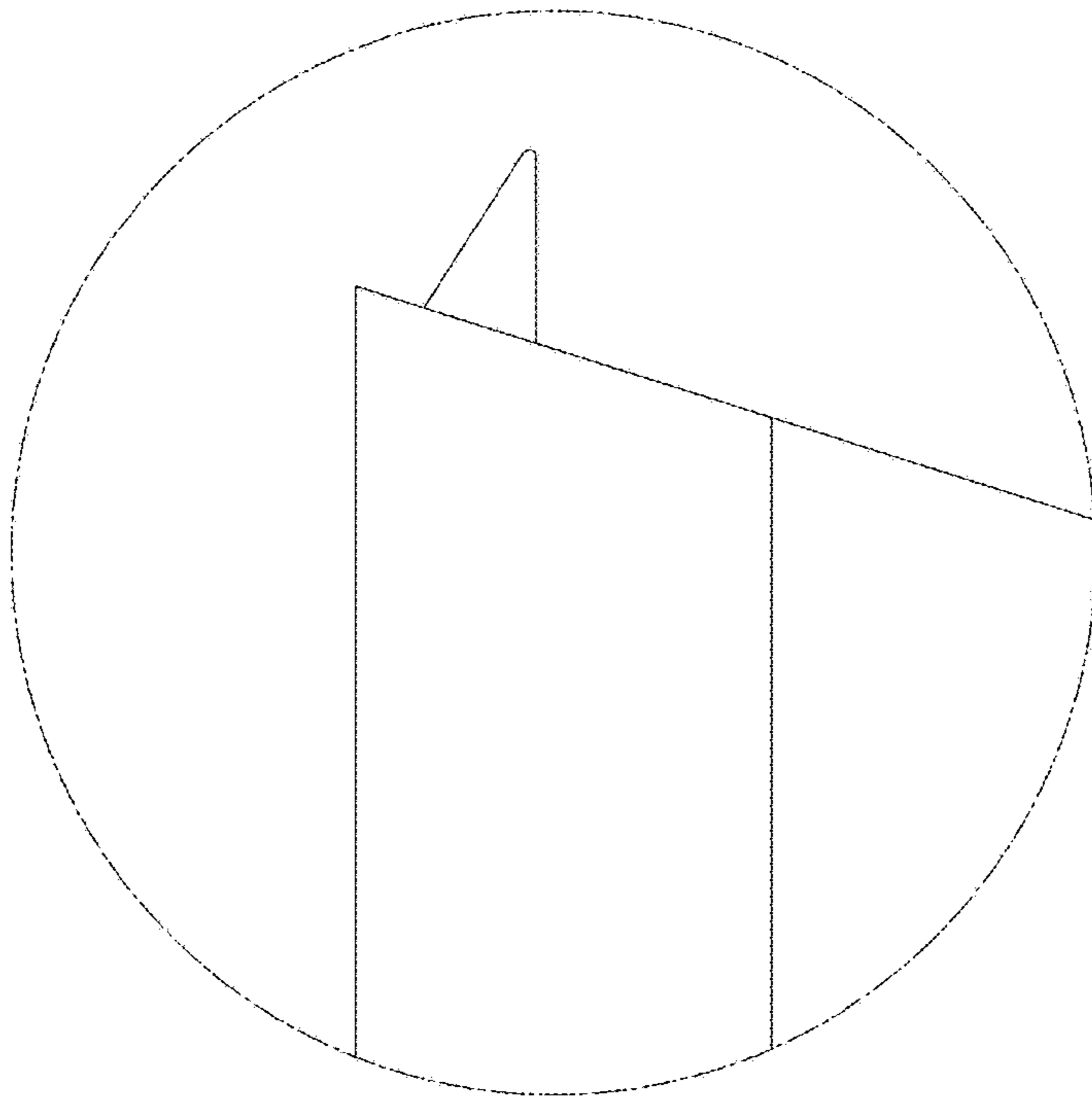


Fig. 11

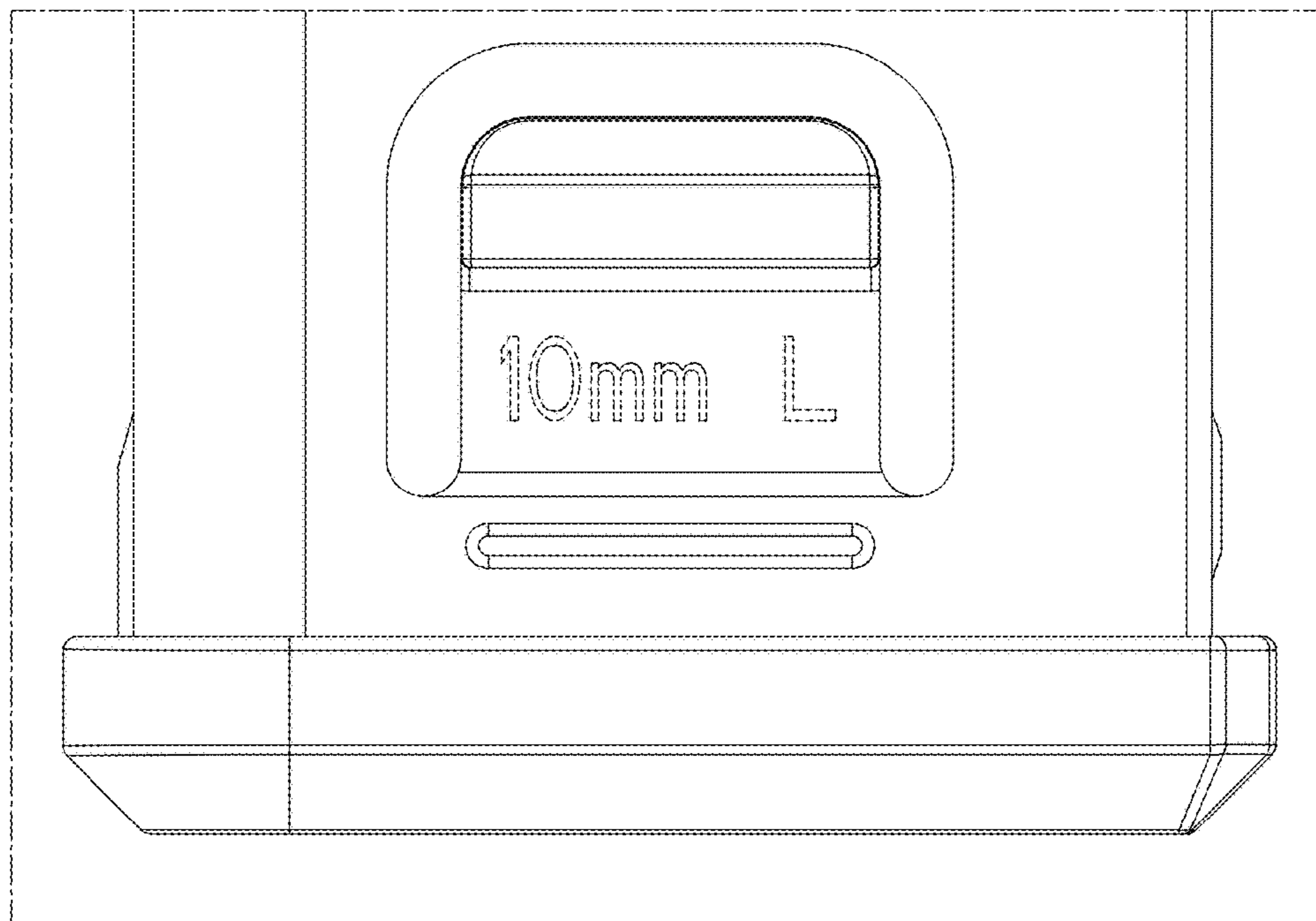


Fig. 12