



US00D853517S

(12) **United States Design Patent**
Sroufe et al.

(10) **Patent No.:** **US D853,517 S**
(45) **Date of Patent:** **** Jul. 9, 2019**

- (54) **FIREARM WITH MAGAZINE**
- (71) Applicant: **Taurus International Manufacturing, Inc.**, Miami, FL (US)
- (72) Inventors: **Dustin Sroufe**, Hollywood, FL (US);
Jesse Peyton, Plantation, FL (US)
- (73) Assignee: **Taurus International Manufacturing, Inc.**, Miami, FL (US)
- (**) Term: **15 Years**
- (21) Appl. No.: **29/581,709**
- (22) Filed: **Oct. 21, 2016**
- (51) **LOC (11) Cl.** **22-01**
- (52) **U.S. Cl.**
USPC **D22/104**
- (58) **Field of Classification Search**
USPC D22/100, 104, 108, 109, 199;
D21/572-575; D14/418; 124/16, 25.7,
124/27, 45, 82, 23.1, 35.2, 37, 79;
446/401, 403, 400, 473, 445, 182, 405,
446/407; 248/200; D8/354, 373, 380,
D8/499
CPC F41C 3/14; F41C 3/16; F41C 3/04; F16M
11/00
See application file for complete search history.

- (56) **References Cited**
U.S. PATENT DOCUMENTS
4,155,187 A * 5/1979 Lichtman F41A 9/47
42/11
D269,896 S * 7/1983 Seecamp D22/104
4,472,901 A * 9/1984 Hillberg F41C 23/10
42/71.02
4,575,963 A * 3/1986 Ruger F41A 19/48
42/70.08
4,586,282 A * 5/1986 Sniezak F41C 23/10
42/71.02
D345,407 S * 3/1994 Ruger D22/104

- D376,187 S * 12/1996 Haber D22/108
- D377,513 S * 1/1997 Lenkarski D22/100
- 5,625,971 A * 5/1997 Tuma F41A 17/24
42/70.01
- 5,666,752 A * 9/1997 Grams F41A 9/71
42/49.02
- 5,815,973 A * 10/1998 Hochstrate F41A 19/14
42/65

(Continued)

OTHER PUBLICATIONS

Magazines, ShopTaurus.Com, [online], [site visited Oct. 23, 2017].
<URL: <http://www.shoptaurus.com/magazines>> (Year: 2017).*

(Continued)

Primary Examiner — T Chase Nelson
Assistant Examiner — Jonathan J. Han
(74) *Attorney, Agent, or Firm* — DeLio, Peterson & Curcio, LLC; Robert Curcio

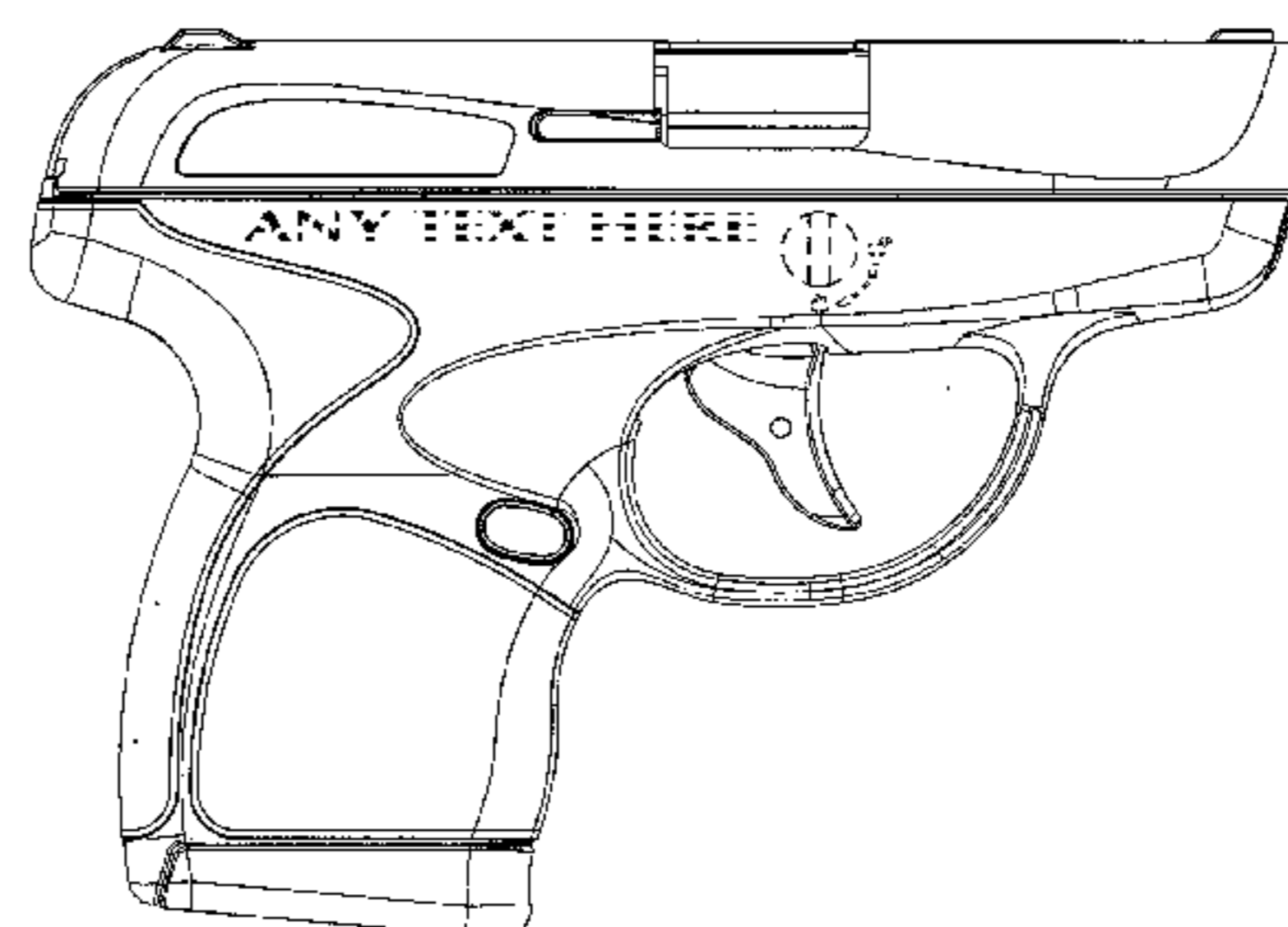
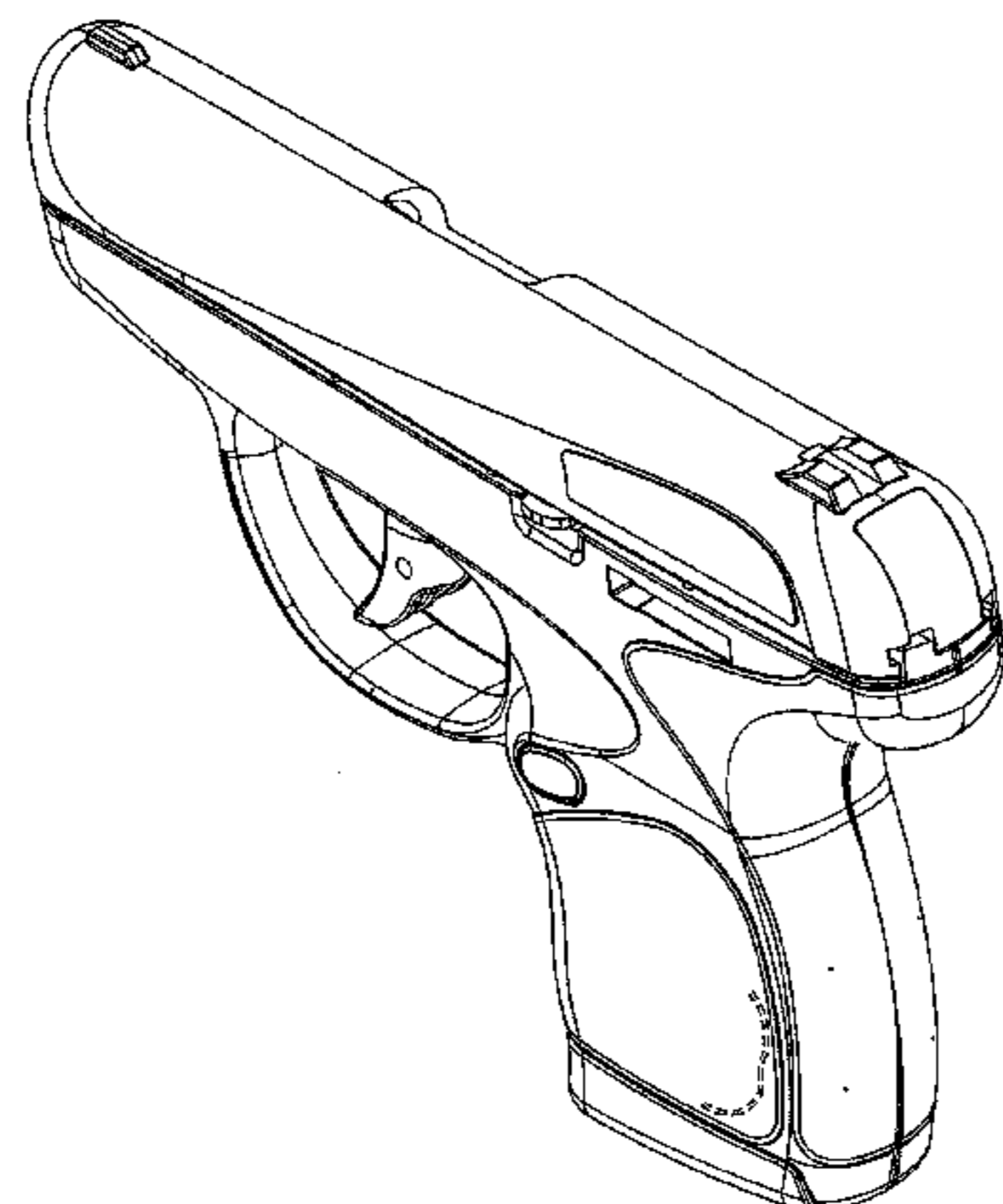
(57) **CLAIM**

We claim the ornamental design for a “firearm with magazine”, as shown and described.

DESCRIPTION

FIG. 1 is a back perspective view of the firearm with magazine according to the present invention;
FIG. 2 is a first side view of the firearm with magazine according to the present invention;
FIG. 3 is a second side view of the firearm with magazine according to the present invention;
FIG. 4 is a front or muzzle view of the firearm with magazine according to the present invention;
FIG. 5 is a back view of the firearm with magazine according to the present invention;
FIG. 6 is a bottom view of the firearm with magazine according to the present invention; and,
FIG. 7 is a top view of the firearm with magazine according to the present invention.

1 Claim, 5 Drawing Sheets



(56)

References Cited

U.S. PATENT DOCUMENTS

6,000,162 A * 12/1999 Hochstrate F41A 19/14
42/65
6,256,915 B1 * 7/2001 da Silveira F41A 9/53
42/1.05
D574,053 S * 7/2008 McGarry D22/104
D579,072 S * 10/2008 McGarry D22/104
D584,374 S * 1/2009 McGarry D22/104
D650,880 S * 12/2011 McGarry D22/104
D654,978 S * 2/2012 Karanian D22/104
D678,454 S * 3/2013 Emde D22/104
D687,117 S * 7/2013 Yigit D22/104
D692,513 S * 10/2013 Yigit D22/104
D709,580 S * 7/2014 Heizer D22/104
D732,625 S * 6/2015 Heizer F41A 3/86
D22/104
D744,049 S * 11/2015 Chu D21/574
9,222,745 B2 * 12/2015 Kallio F41A 17/72
D783,111 S * 4/2017 Hillis D22/108
2002/0020099 A1 * 2/2002 Silveira F41A 17/02
42/70.08
2006/0053674 A1 * 3/2006 Shober F41A 11/00
42/108
2008/0092424 A1 * 4/2008 Keng F41G 1/18
42/137
2012/0279105 A1 * 11/2012 Emde F41A 11/04
42/1.08
2014/0165442 A1 * 6/2014 Nebeker F41A 3/64
42/16
2015/0121734 A1 * 5/2015 Kresser F41A 3/72
42/16

2015/0345897 A1 * 12/2015 Koenig F41C 27/00
42/90
2016/0040957 A1 * 2/2016 Finsand F41C 33/008
224/269
2016/0102938 A1 * 4/2016 Sroufe F41A 3/72
42/16
2017/0108309 A1 * 4/2017 Pikielny F41C 23/10

OTHER PUBLICATIONS

New Taurus Products, Pistols, TaurusUSA.Com, [online], [site visited Oct. 23, 2017]. <URL: <http://www.taurususa.com/product-list.cfm?new=1> (Year: 2017).*

The Keefe Report: Looking Beyond the Colors of the Taurus Spectrum Pistol, by Mark Keefe—Thursday, Jan. 5, 2017, [online], [site visited Oct. 23, 2017]. <URL: <https://www.americanrifleman.org/articles/2017/1/5/the-keefe-report-looking-beyond-the-colors-of-the-aurus-spectrum-pistol/> (Year: 2017).*

Taurus Spectrum .380 ACP—New for 2017, AverageJoesHandgunReviews.blogspot.com, Monday, Dec. 26, 2016, [online], [site visited Oct. 23, 2017]. <URL: <http://averagejoeshandgunreviews.blogspot.com/2016/12/taurus-spectrum-380-acp-new-for-2017.html>> (Year: 2016).*

SCCY CPX-2 CB 9mm Compact Pistol CPX2CB, Rkguns.com, [online], [site visited Oct. 23, 2017]. <URL: <https://www.rkguns.com/sccy-cpx-2-cb-9mm-compact-pistol-cpx2cb.html>> (Year: 2017).*

Remington R51 Sub-Compact Semi-Auto Pistol, BassPro.com, [online], [site visited Oct. 23, 2017]. <URL: <http://www.basspro.com/shop/en/remington-r51-sub-compact-semi-auto-pistol>> (Year: 2017).*

* cited by examiner

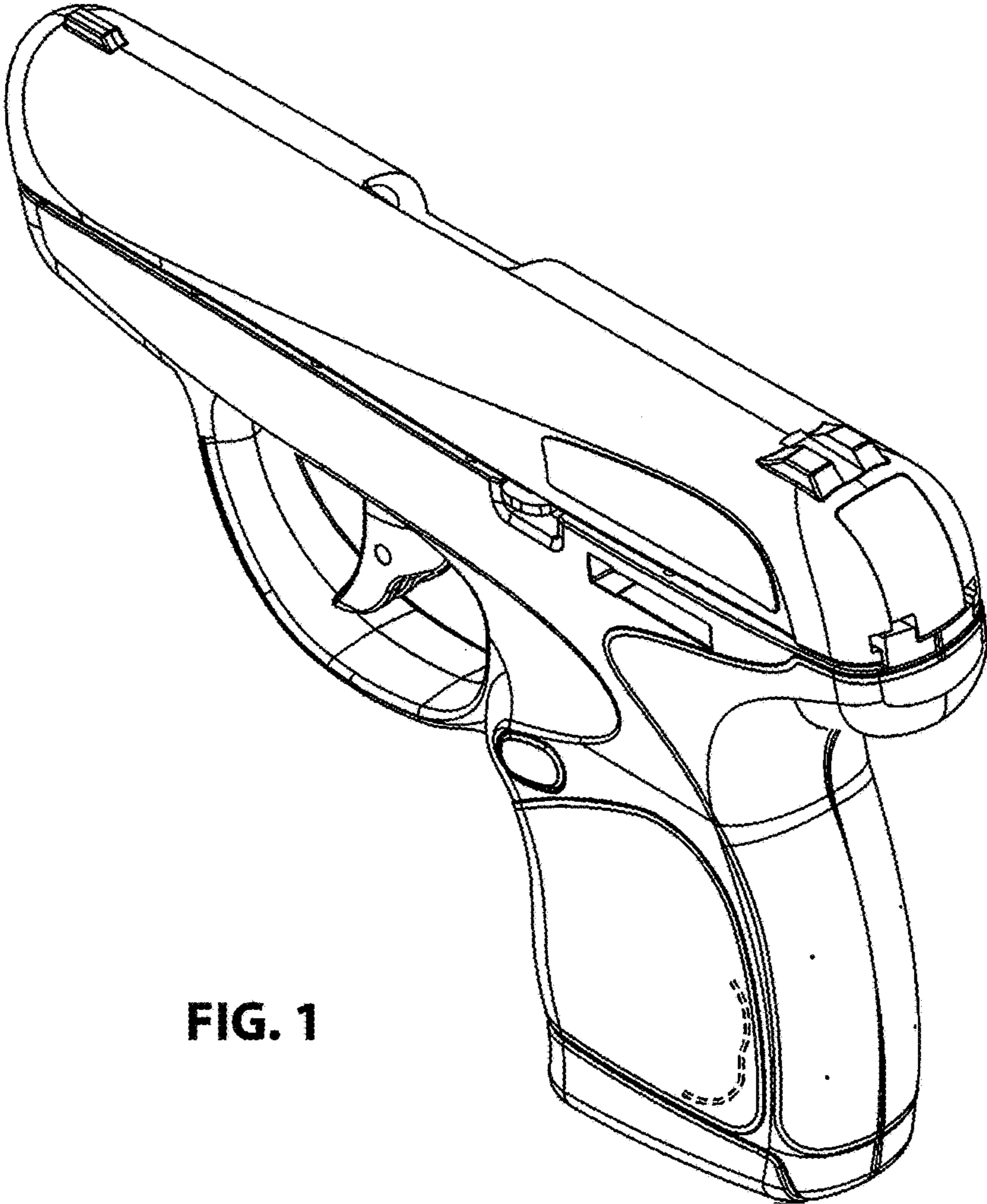


FIG. 1

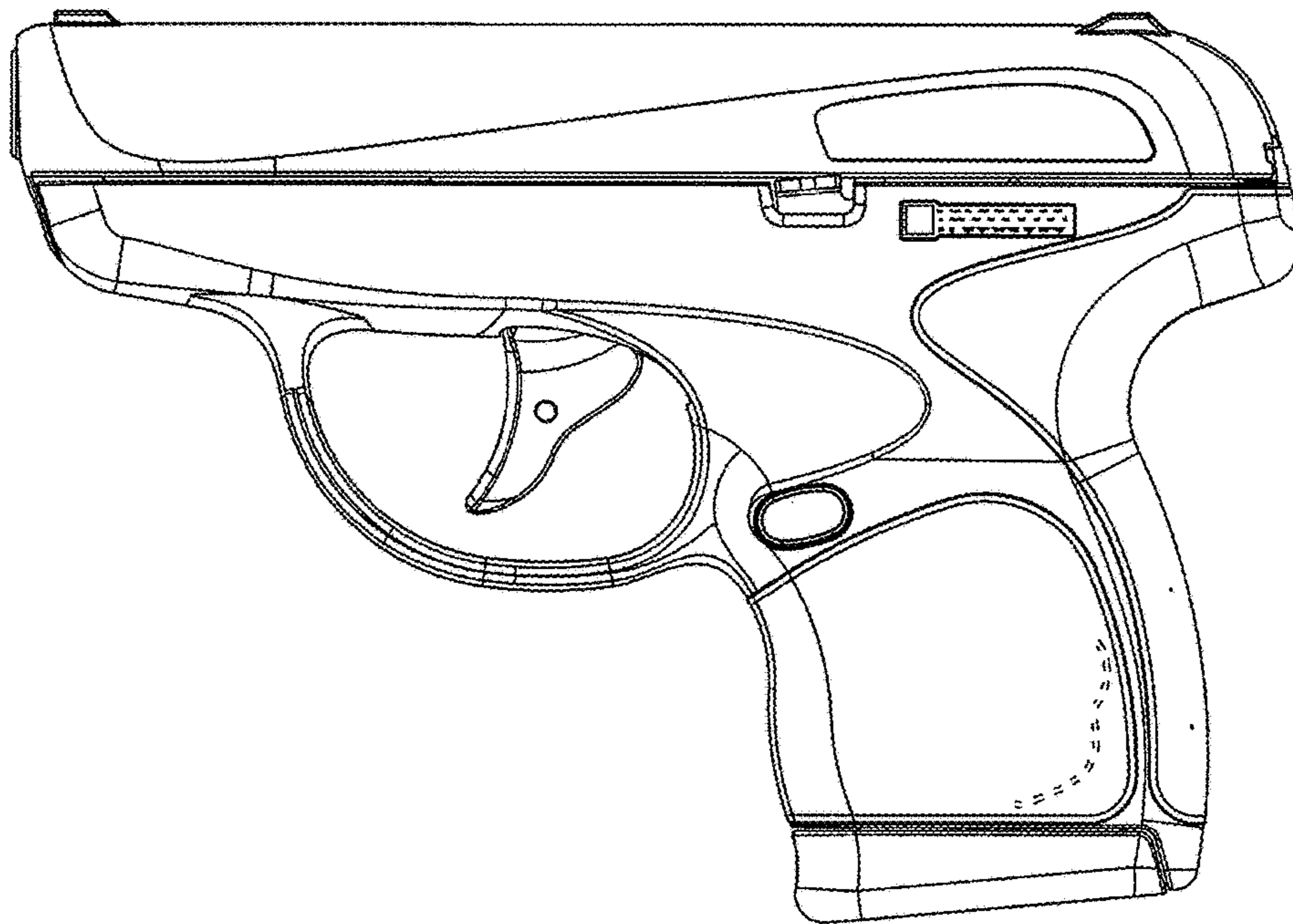


FIG. 2

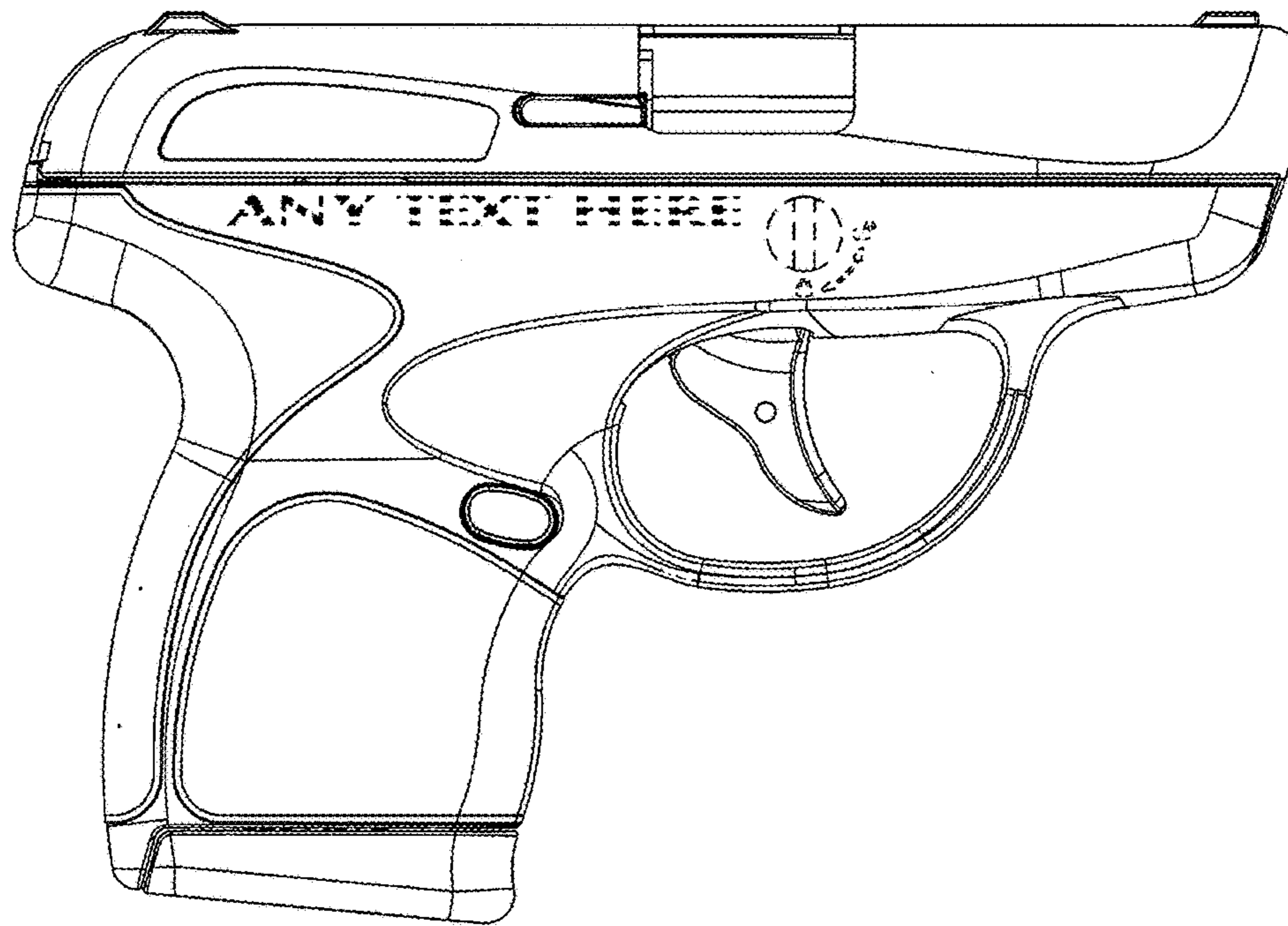


FIG. 3

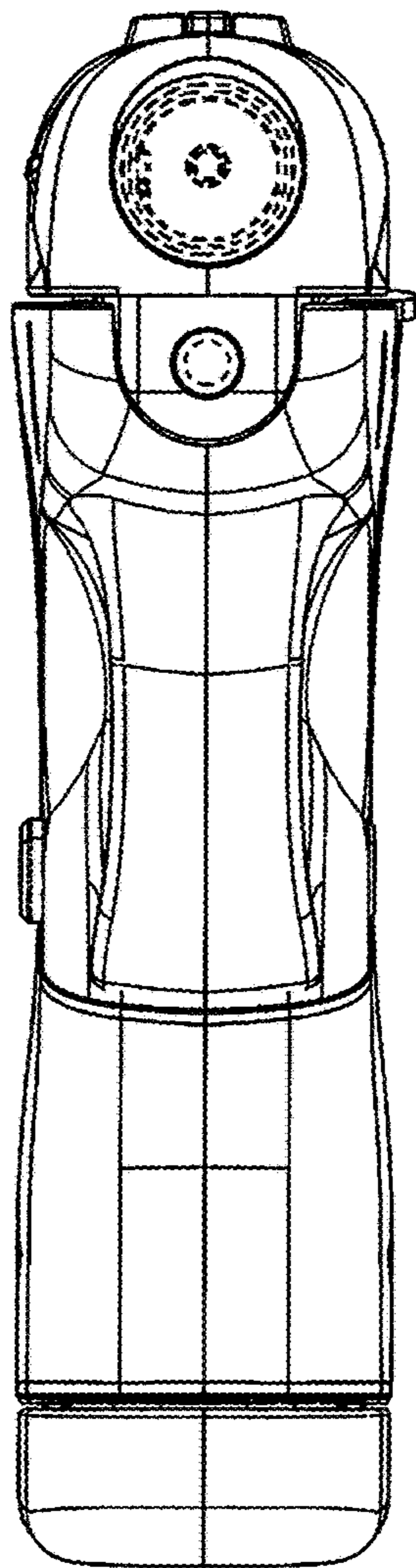


FIG. 4

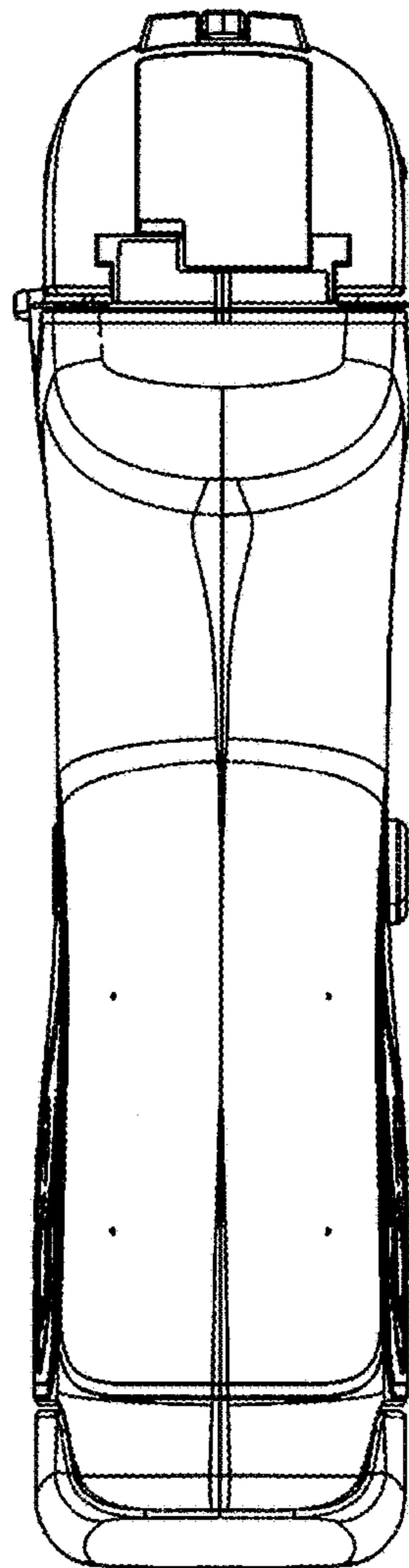


FIG. 5

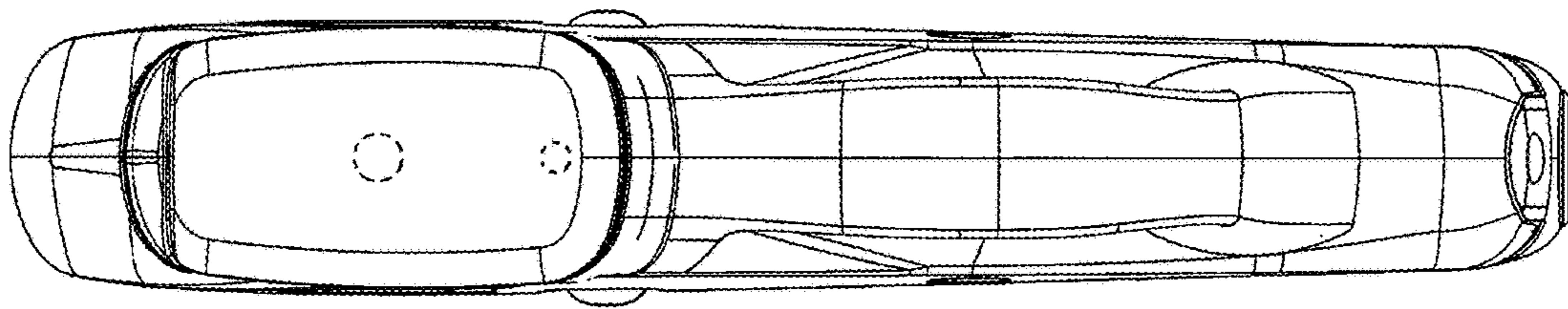


FIG. 6

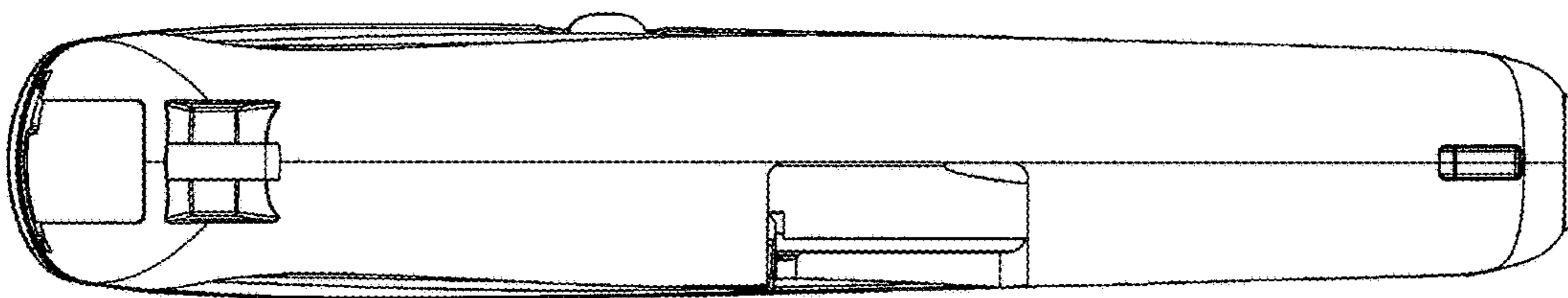


FIG. 7