



US00D853514S

(12) **United States Design Patent**  
**Zucchelli et al.**

(10) **Patent No.:** **US D853,514 S**

(45) **Date of Patent:** **\*\* Jul. 9, 2019**

(54) **FLOTATION AID**

(71) Applicants: **Joanne Drew Zucchelli**, Stockton, CA  
(US); **Debra Ehrlich May**, Stockton,  
CA (US)

(72) Inventors: **Joanne Drew Zucchelli**, Stockton, CA  
(US); **Debra Ehrlich May**, Stockton,  
CA (US)

(\*\*) Term: **15 Years**

(21) Appl. No.: **29/646,657**

(22) Filed: **May 7, 2018**

(51) **LOC (11) Cl.** ..... **21-02**

(52) **U.S. Cl.**  
USPC ..... **D21/808; D21/597**

(58) **Field of Classification Search**  
USPC ..... D6/597, 601; D19/187, 202-204;  
D21/597, 803-804, 808  
CPC ..... A63H 3/06  
See application file for complete search history.

(56) **References Cited**

**U.S. PATENT DOCUMENTS**

D281,261 S *	11/1985	Stubbmann	.....	D21/419
D304,751 S *	11/1989	Wolfe	.....	D21/808
D433,899 S *	11/2000	Saffron	.....	D8/18
D469,495 S *	1/2003	Greenberg	.....	D21/598
D472,382 S *	4/2003	Larsen	.....	D3/271.2
7,318,762 B2 *	1/2008	Goldmeier	.....	A63B 69/12
				441/129
D575,834 S *	8/2008	Welch	.....	D21/572

D621,449 S *	8/2010	Wong	.....	D21/572
D708,690 S *	7/2014	Liberatore	.....	D21/803
D736,335 S *	8/2015	Liberatore	.....	D21/803
D741,435 S *	10/2015	Brown	.....	D21/808
D747,776 S *	1/2016	Norman	.....	D21/585
D783,106 S *	4/2017	Liberatore	.....	D21/803

\* cited by examiner

*Primary Examiner* — Garth Rademaker

*Assistant Examiner* — Melvin L Davis

(74) *Attorney, Agent, or Firm* — Maier & Maier, PLLC

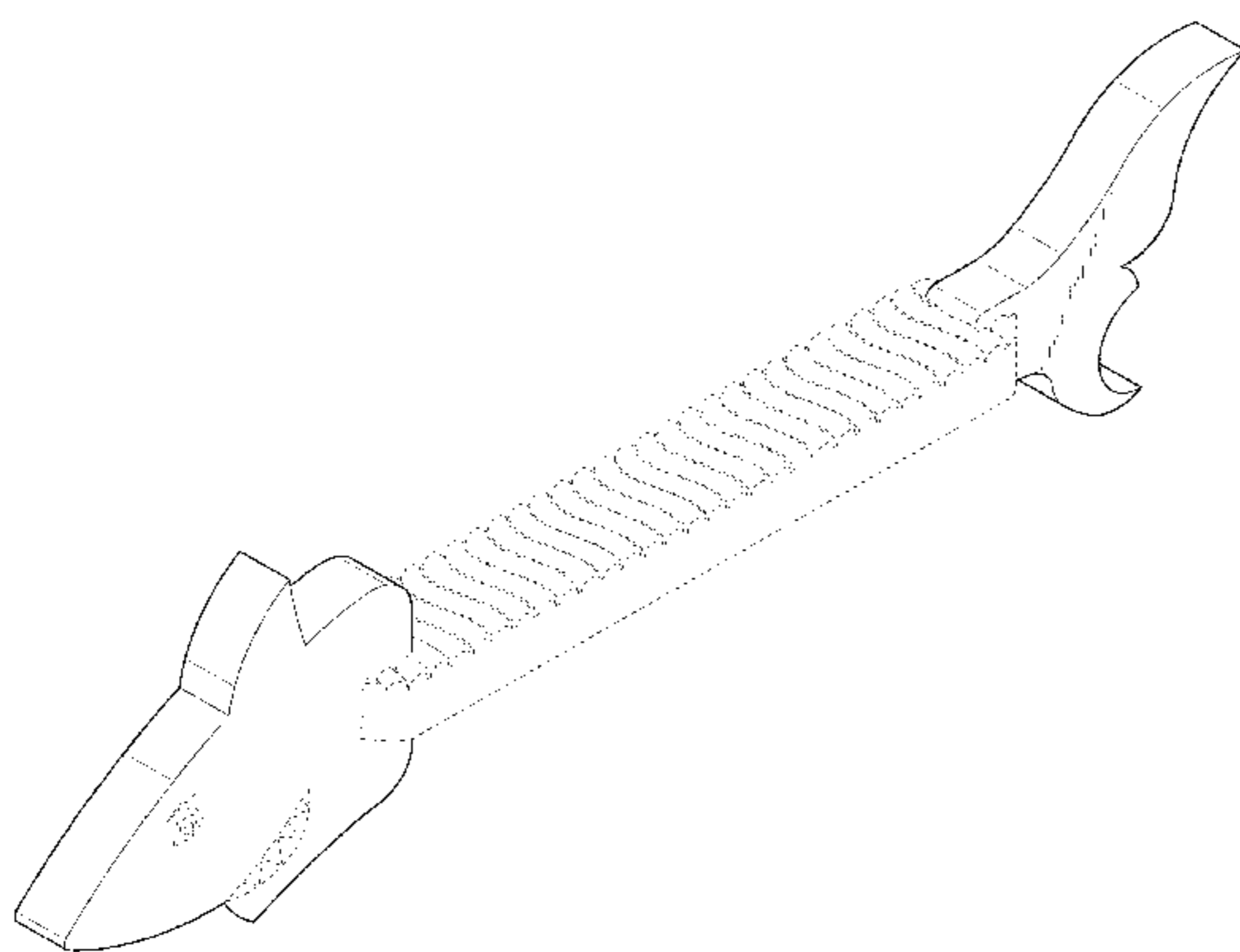
(57) **CLAIM**

The ornamental design for a flotation aid, as shown and described.

**DESCRIPTION**

FIG. 1 is perspective view of a flotation aid, showing our design;  
 FIG. 2 is a right side view thereof;  
 FIG. 3 is a left side view thereof;  
 FIG. 4 is a top view thereof;  
 FIG. 5 is a bottom view thereof;  
 FIG. 6 is a front view thereof;  
 FIG. 7 is a rear view thereof; and,  
 FIG. 8 is a right side view thereof, showing the flotation aid in an alternate orientation.  
 The broken lines depict portions of the article that form no part of the claimed design.

**1 Claim, 4 Drawing Sheets**



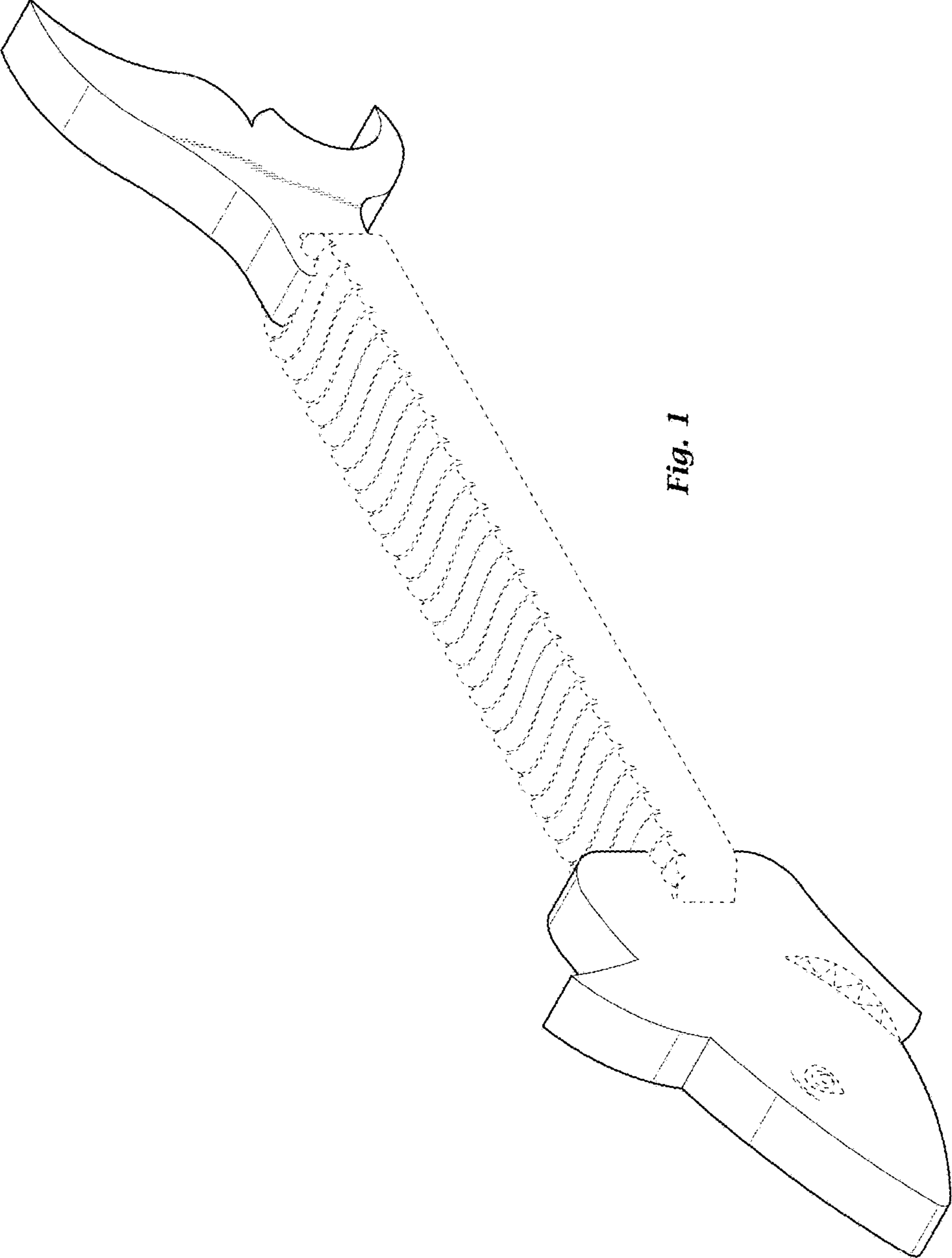


Fig. 1

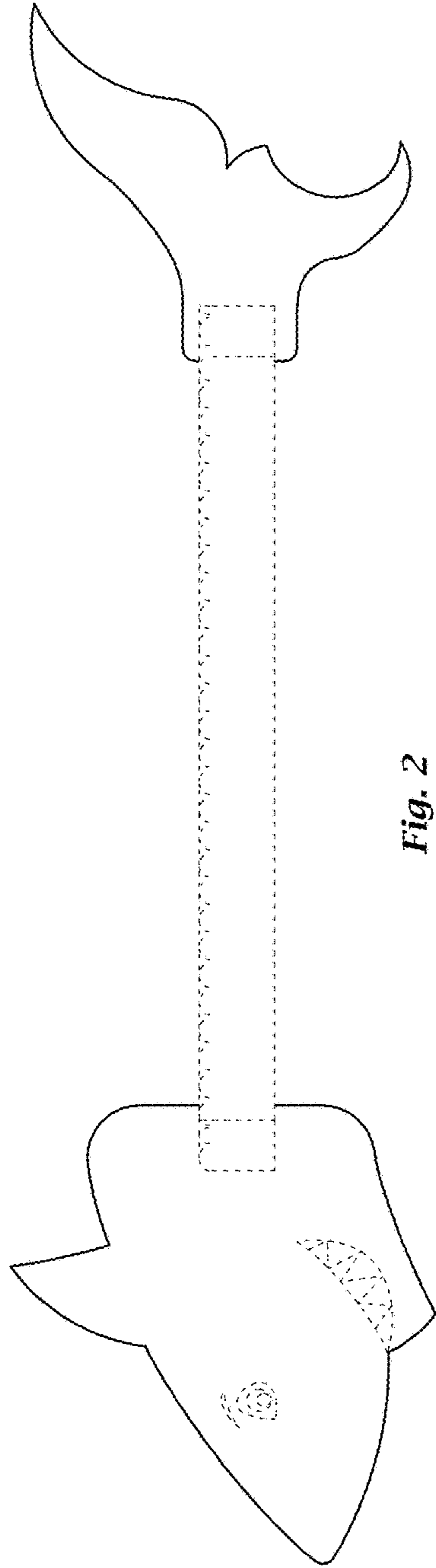


Fig. 2

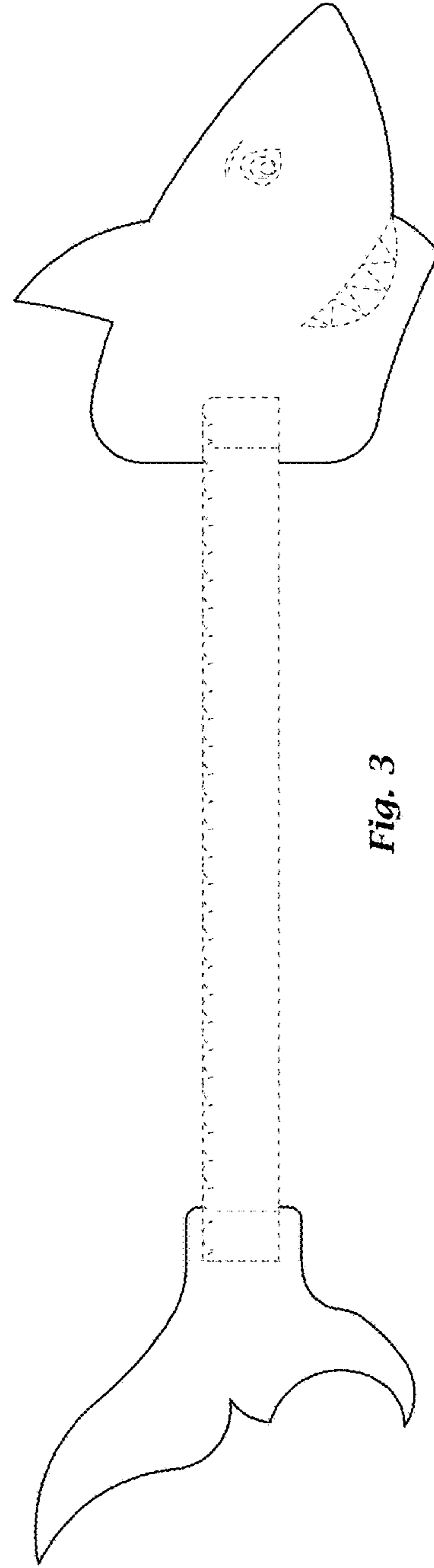


Fig. 3

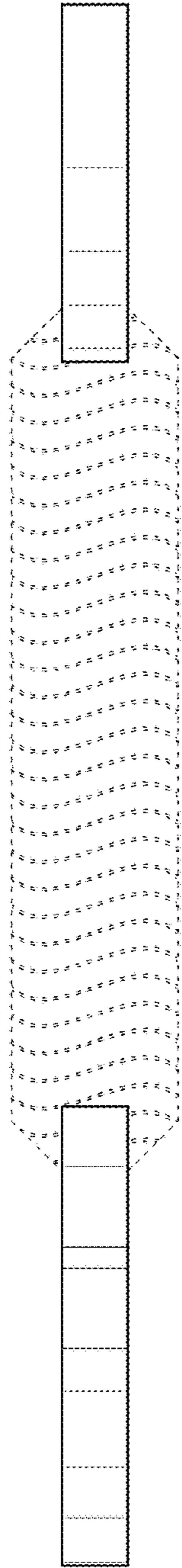


Fig. 4



Fig. 5

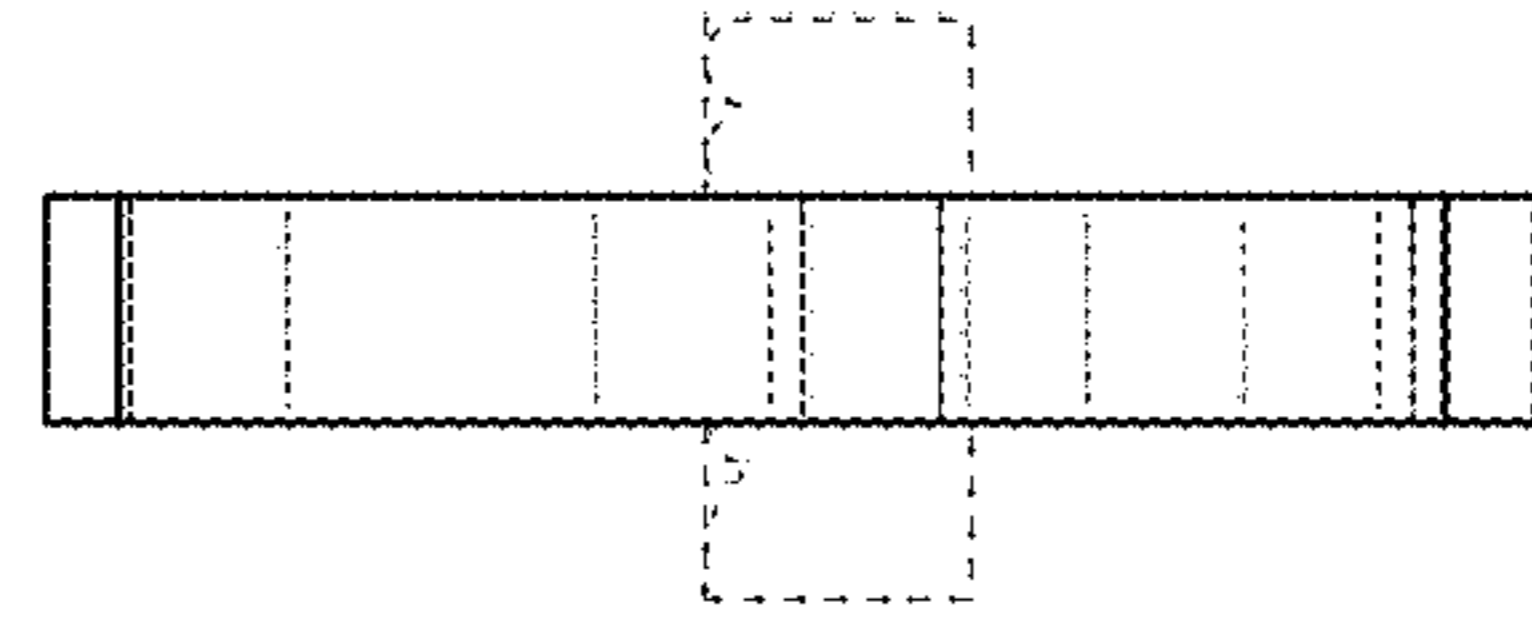


Fig. 7

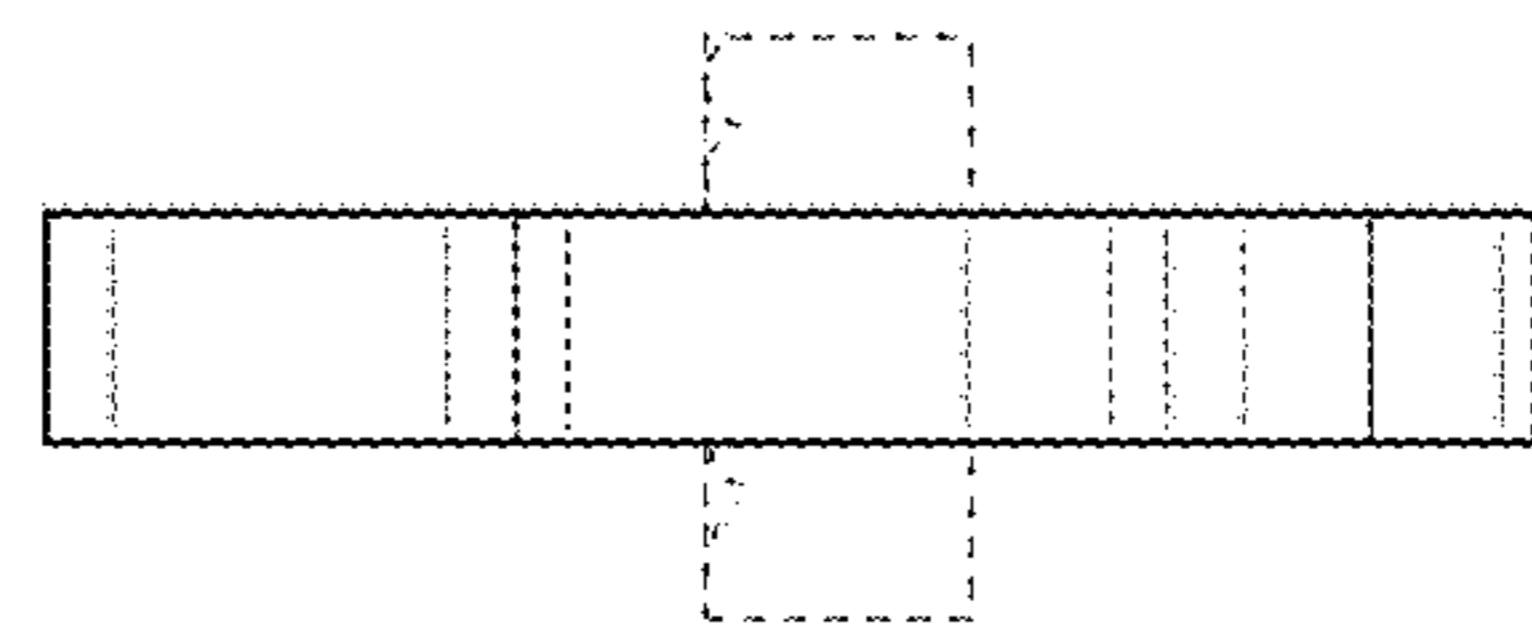


Fig. 6

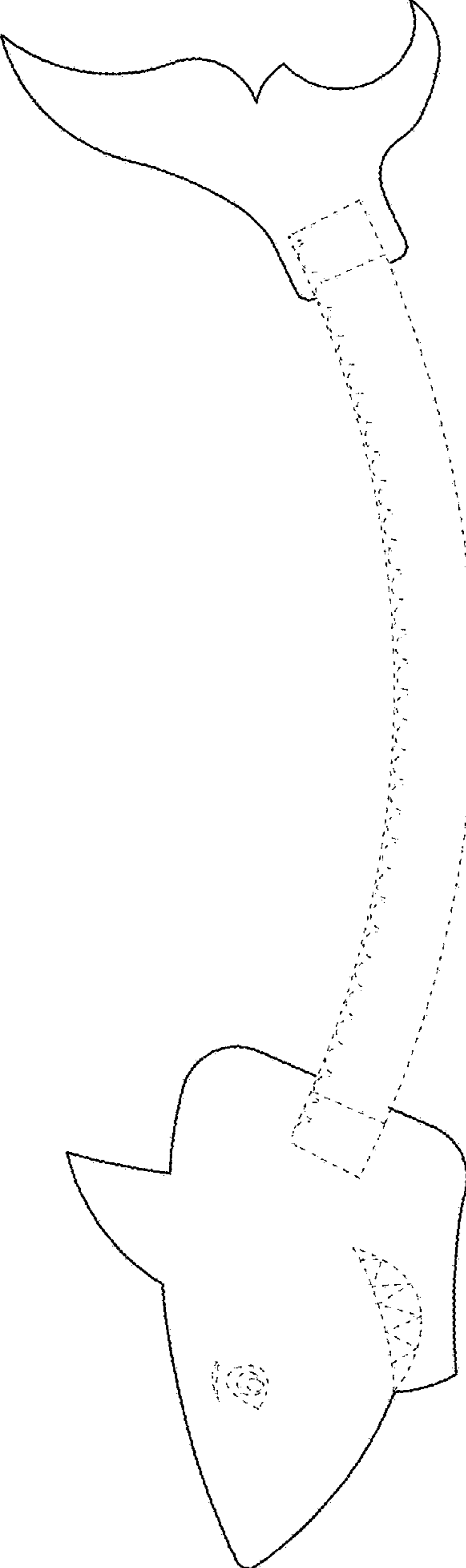


Fig. 8