



US00D853508S

(12) **United States Design Patent**
Zucchelli et al.

(10) **Patent No.:** **US D853,508 S**

(45) **Date of Patent:** **** Jul. 9, 2019**

(54) **FLOATATION AID**

(71) Applicants: **Joanne Drew Zucchelli**, Stockton, CA (US); **Debra Ehrlich May**, Stockton, CA (US)

(72) Inventors: **Joanne Drew Zucchelli**, Stockton, CA (US); **Debra Ehrlich May**, Stockton, CA (US)

(**) Term: **15 Years**

(21) Appl. No.: **29/646,658**

(22) Filed: **May 7, 2018**

(51) **LOC (11) Cl.** **21-02**

(52) **U.S. Cl.**
USPC **D21/803**; D21/808

(58) **Field of Classification Search**
USPC D6/597, 601; D19/187, 202-204; D21/599, 803-804, 808
CPC A63H 3/06
See application file for complete search history.

(56) **References Cited**

U.S. PATENT DOCUMENTS

D236,287 S *	8/1975	McNair	D24/183
D279,668 S *	7/1985	Larsson	D12/316
D300,194 S *	3/1989	Walker	D6/604
D310,313 S *	9/1990	Afeyan	D21/809
5,044,030 A *	9/1991	Balaton	A47C 27/081
				297/DIG. 3
5,890,245 A *	4/1999	Klearman	A61G 7/05769
				5/710
5,918,336 A *	7/1999	Lee	A61G 7/05776
				5/706
6,058,536 A *	5/2000	Henry	A47C 27/12
				5/691

D455,928 S *	4/2002	Fisher	D6/604
D471,051 S *	3/2003	Cook	D6/604
D513,915 S *	1/2006	Jacklin	D21/809
7,045,194 B2 *	5/2006	Sneed	F16N 31/006
				428/156
D584,911 S *	1/2009	Hisey	D21/803
D685,916 S *	7/2013	Hoglund	D24/206
D747,117 S *	1/2016	Lau	D6/393
D749,875 S *	2/2016	Sullivan	D6/604
D823,966 S *	7/2018	Berenson	D21/809

* cited by examiner

Primary Examiner — Garth Rademaker

Assistant Examiner — Melvin L Davis

(74) *Attorney, Agent, or Firm* — Maier & Maier, PLLC

(57) **CLAIM**

The ornamental design for a flotation aid, as shown and described.

DESCRIPTION

FIG. 1 is perspective view of a flotation aid, showing our design;

FIG. 2 is a right side view thereof;

FIG. 3 is a left side view thereof;

FIG. 4 is a top view thereof;

FIG. 5 is a bottom view thereof;

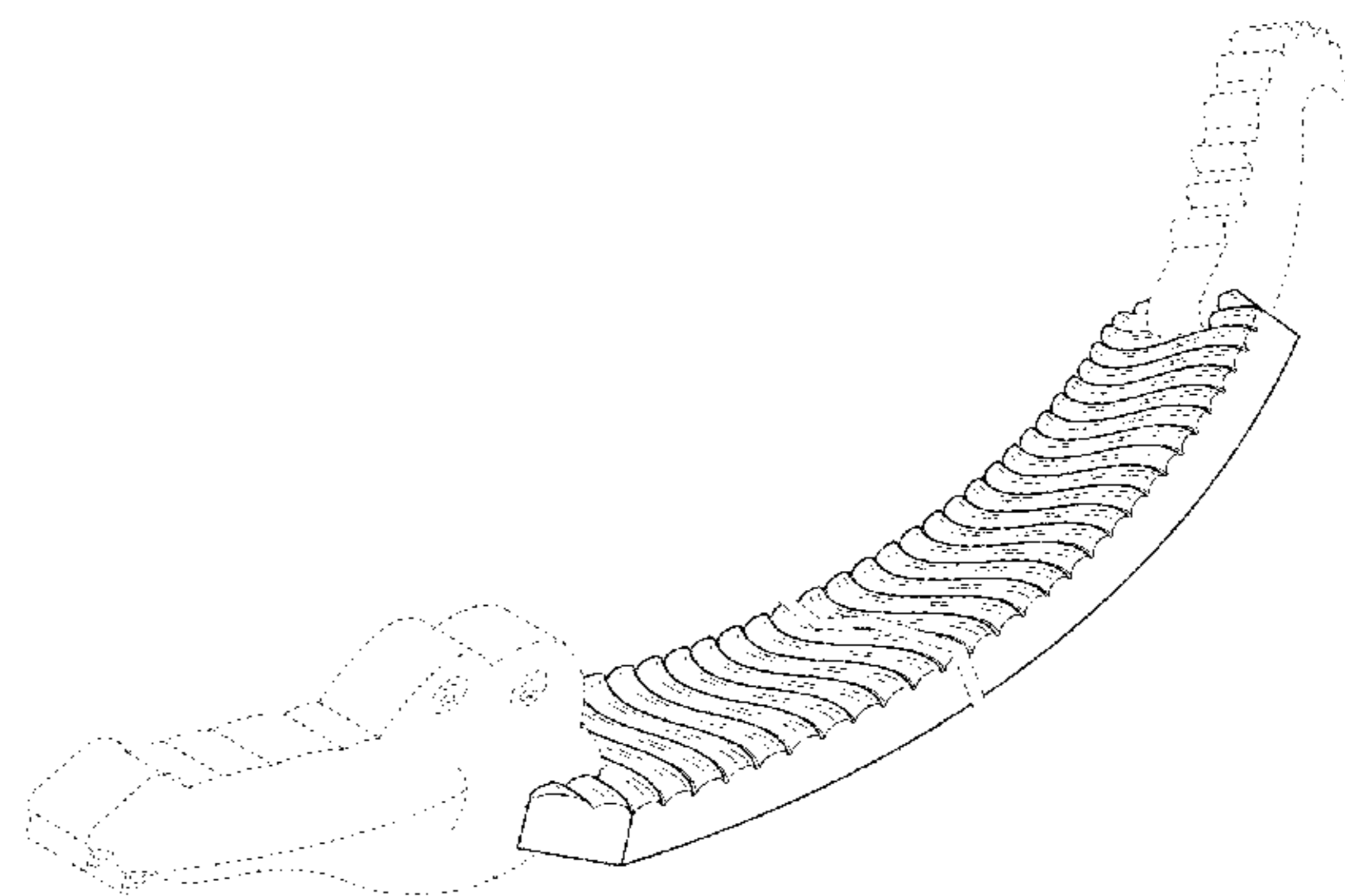
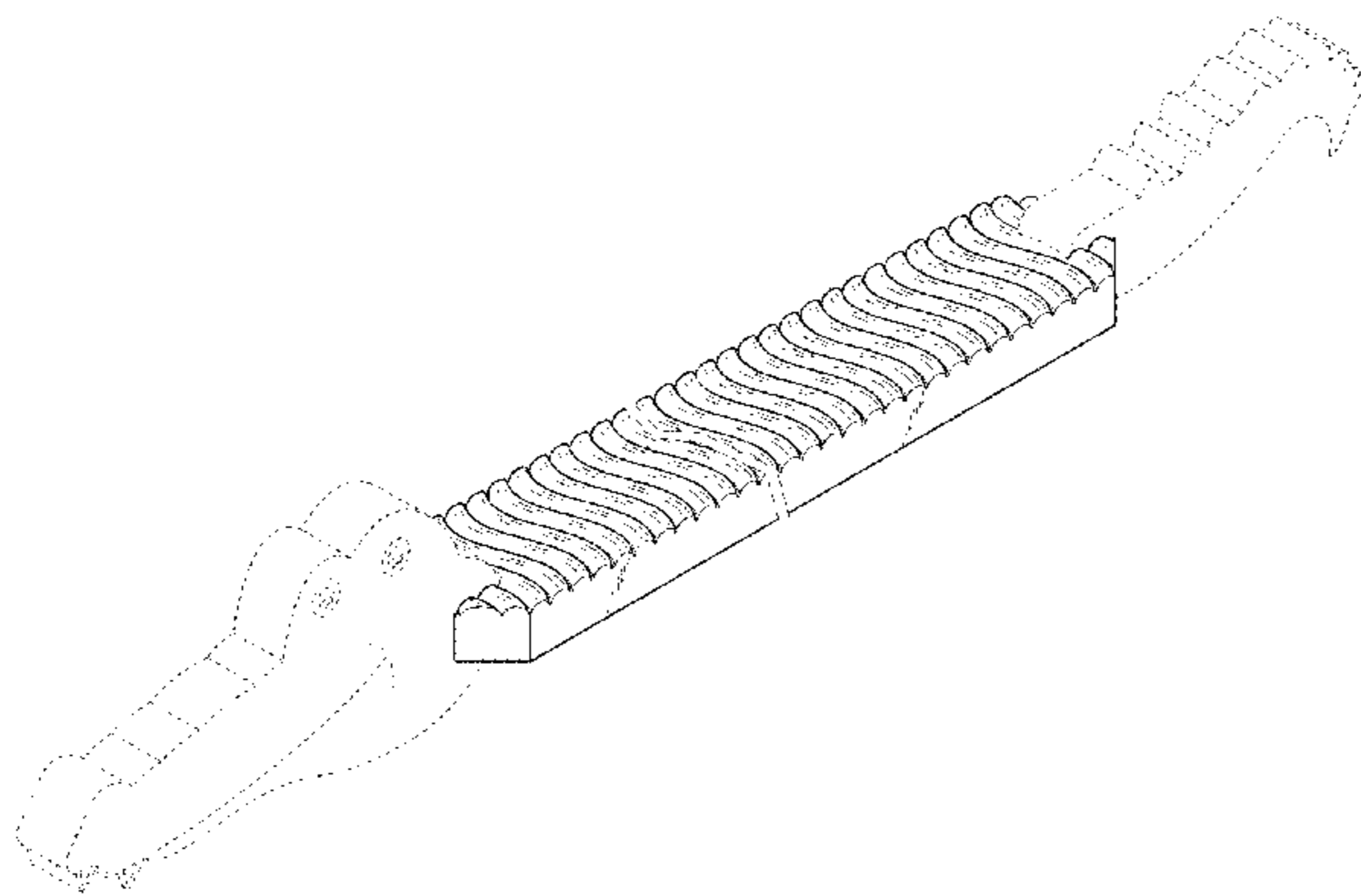
FIG. 6 is a front view thereof;

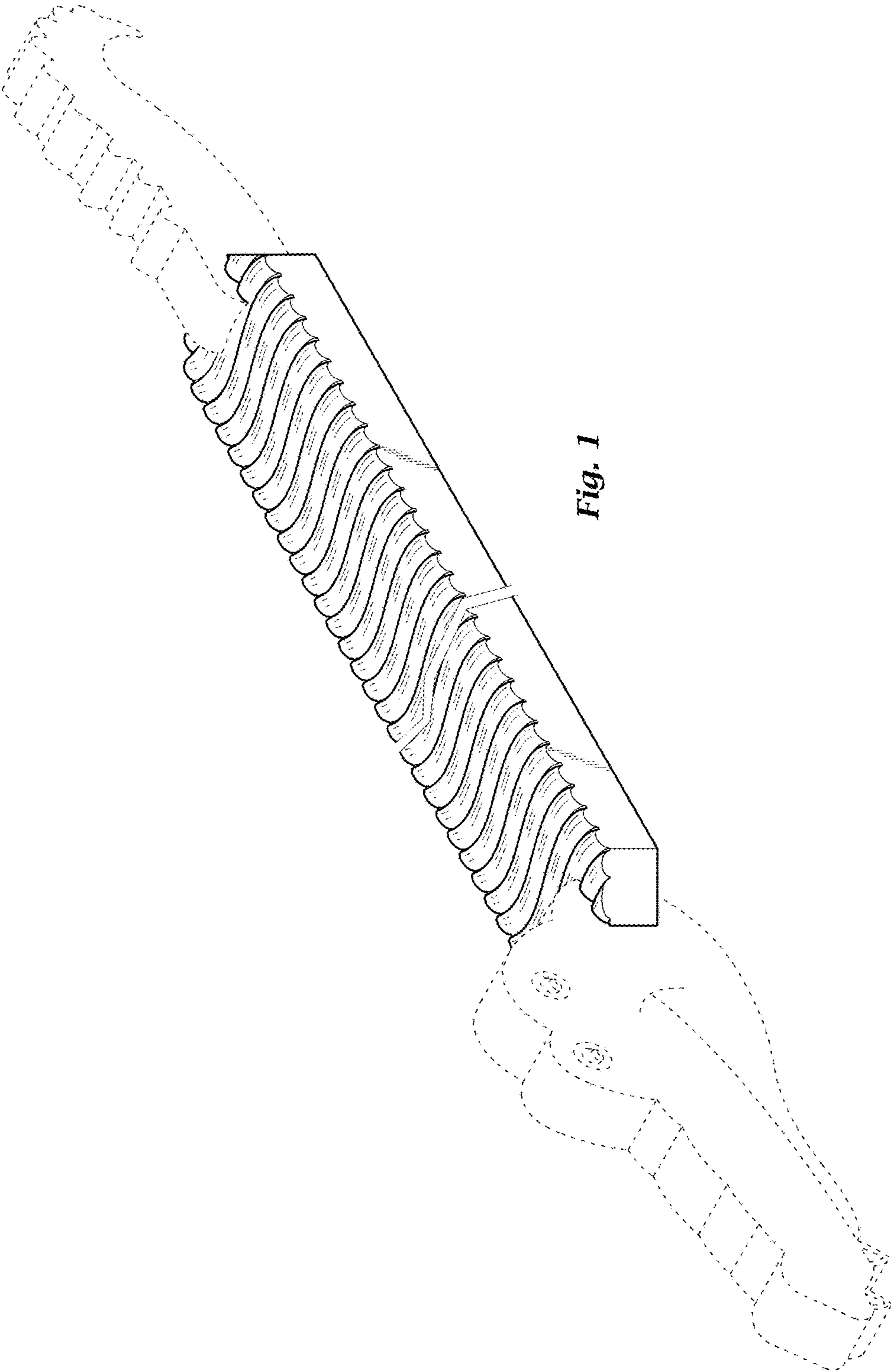
FIG. 7 is a rear view thereof; and,

FIG. 8 is a perspective view thereof, showing the flotation aid in an alternate orientation.

The broken lines showing surface ornamentation and portions of the flotation aid form no part of the claimed design. The flotation aid is shown with a symbolic break in its length. The appearance of any portion of the article between the break lines forms no part of the claimed design.

1 Claim, 4 Drawing Sheets





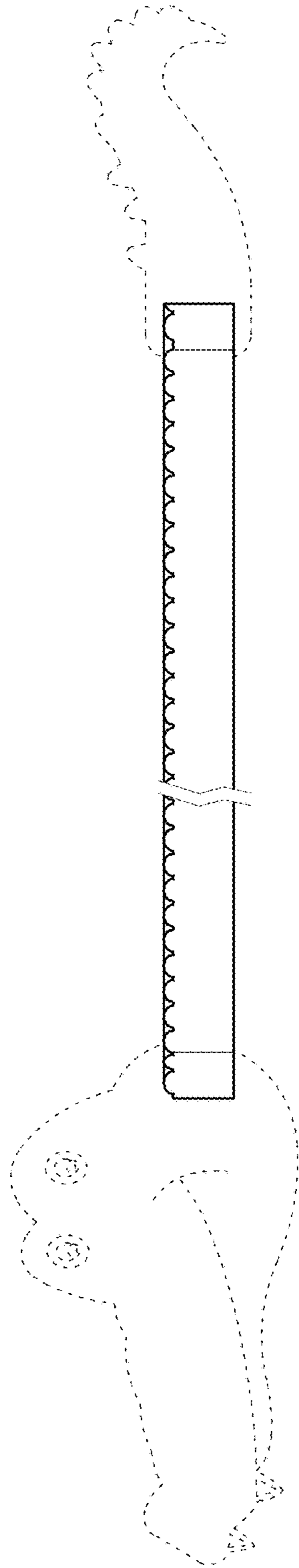


Fig. 2

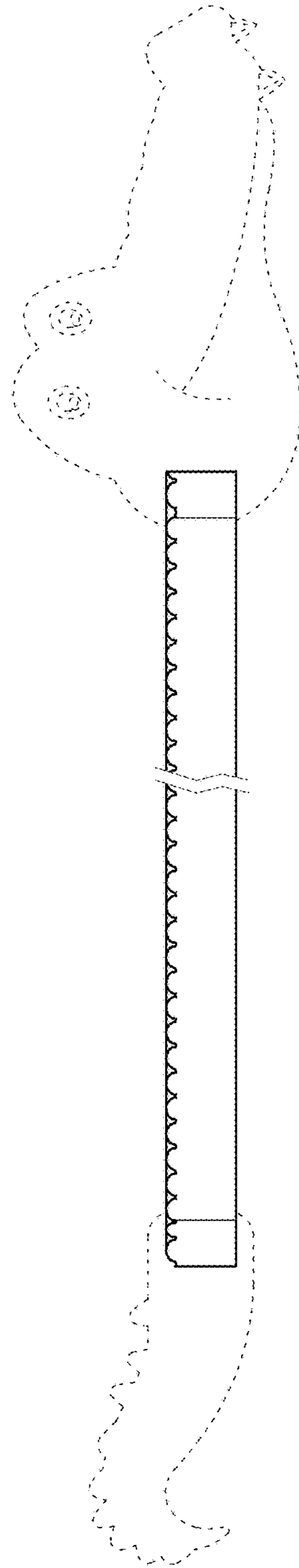


Fig. 3

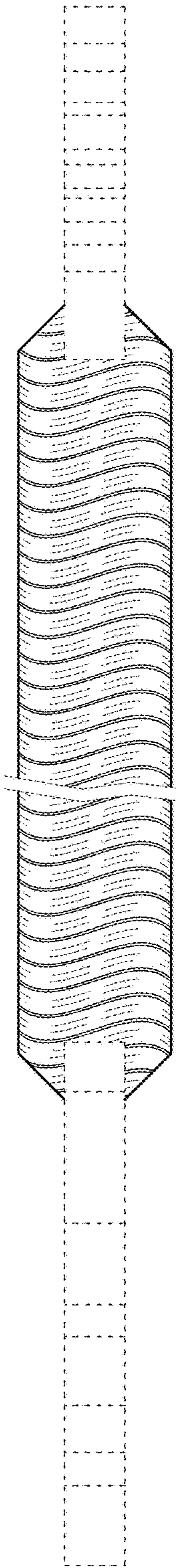


Fig. 4

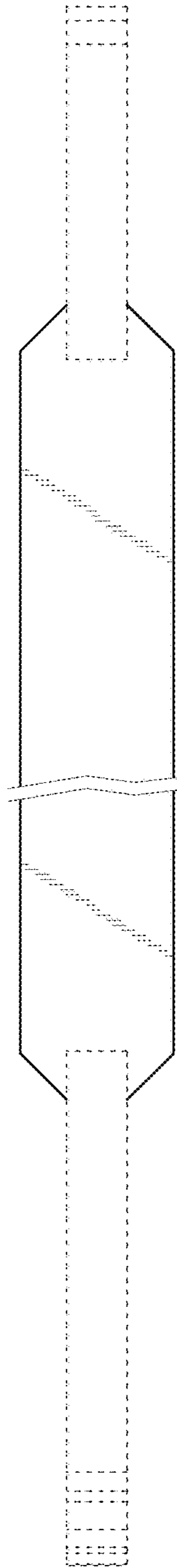


Fig. 5

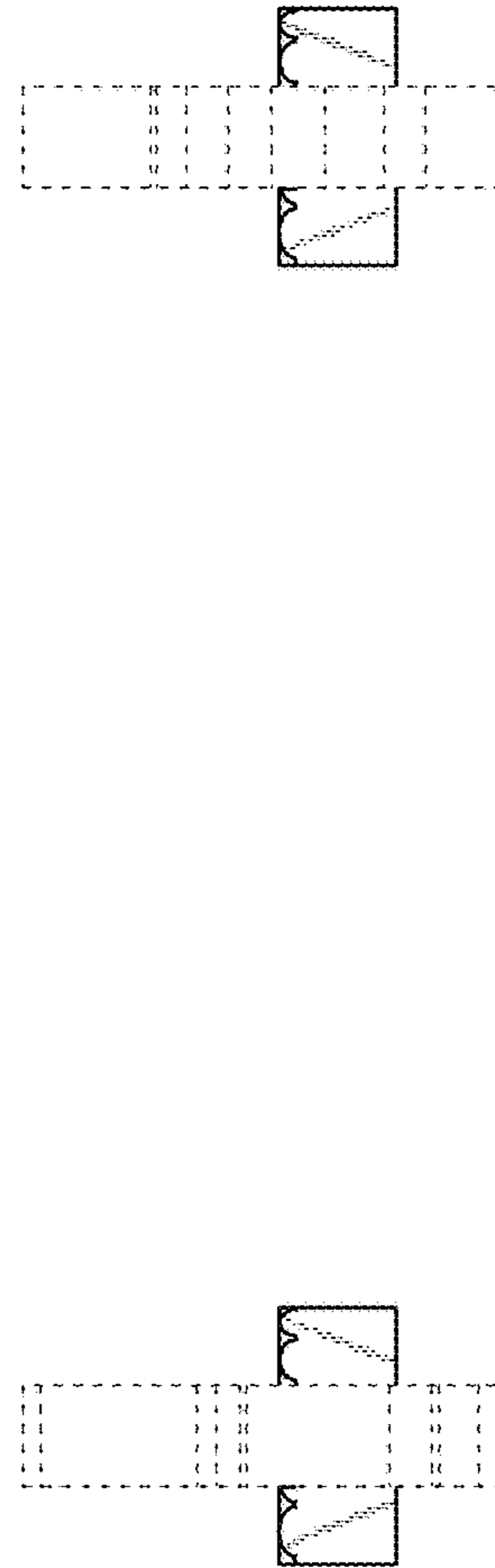


Fig. 6

Fig. 7

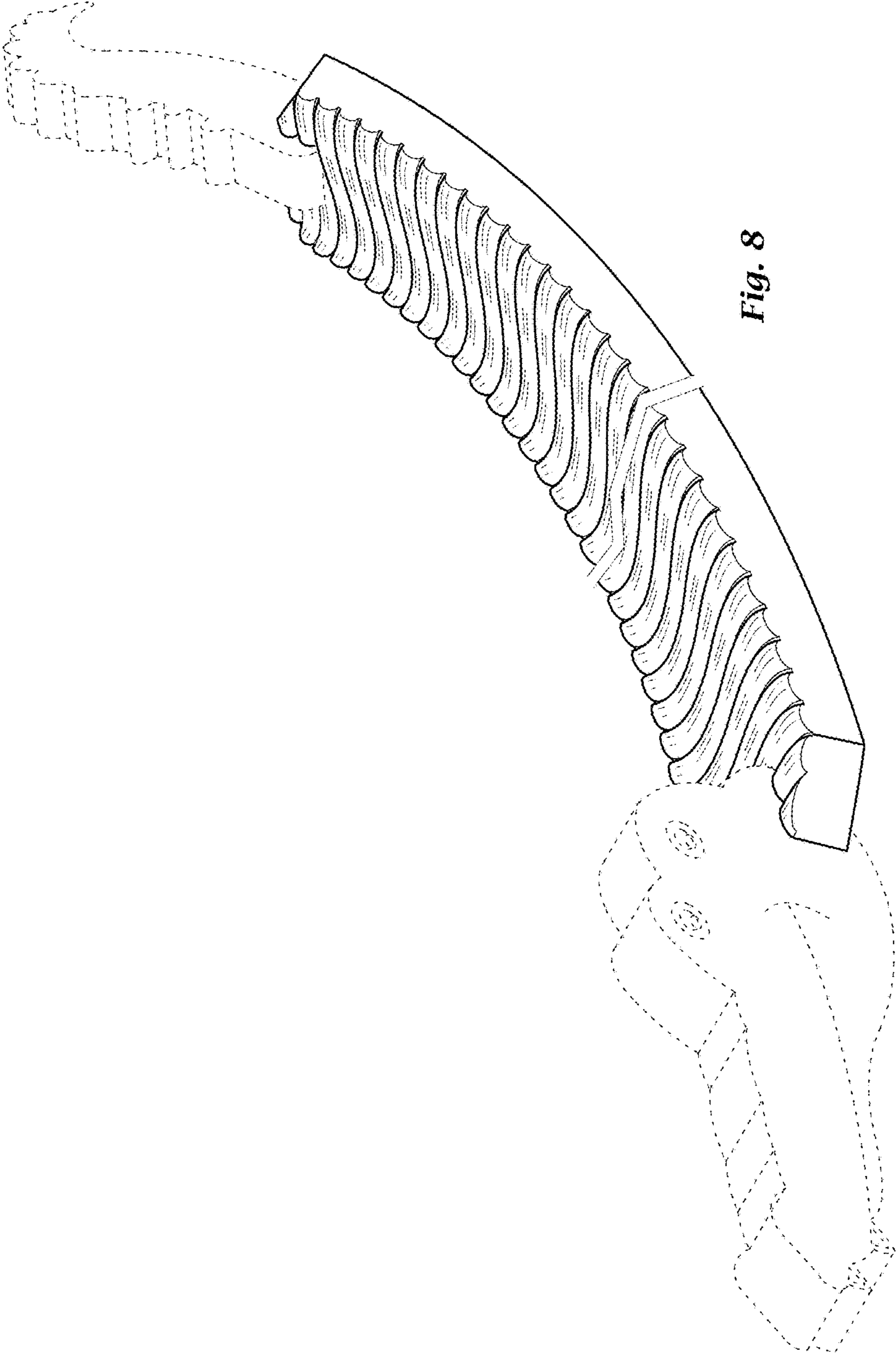


Fig. 8