



US00D853507S

(12) **United States Design Patent** (10) **Patent No.:** **US D853,507 S**
Hammer (45) **Date of Patent:** **** Jul. 9, 2019**

(54) **TRAMPOLINE**

(71) Applicant: **HAMMERSPORT AG**, Neu-Ulm (DE)

(72) Inventor: **Markus Hammer**, Neu-Ulm (DE)

(**) Term: **15 Years**

(21) Appl. No.: **35/504,182**

(22) Filed: **Jun. 22, 2017**

(80) **Hague Agreement Data**

Int. Filing Date: **Jun. 22, 2017**

Int. Reg. No.: **DM/097133**

Int. Reg. Date: **Jun. 22, 2017**

Int. Reg. Pub. Date: **Dec. 22, 2017**

(30) **Foreign Application Priority Data**

Dec. 22, 2016 (DE) 402016101520

(51) **LOC (11) Cl.** **21-02**

(52) **U.S. Cl.**

USPC **D21/797**

(58) **Field of Classification Search**

USPC D21/662, 672, 686, 694, 797, 811, 815,
D21/837

(Continued)

(56) **References Cited**

U.S. PATENT DOCUMENTS

D187,138 S * 2/1960 Highberger 482/27

D223,263 S * 4/1972 Goldstein D21/797

(Continued)

Primary Examiner — George D. Kirschbaum

Assistant Examiner — Joseph J. Kukella

(57) **CLAIM**

The ornamental design for a trampoline, as shown and described.

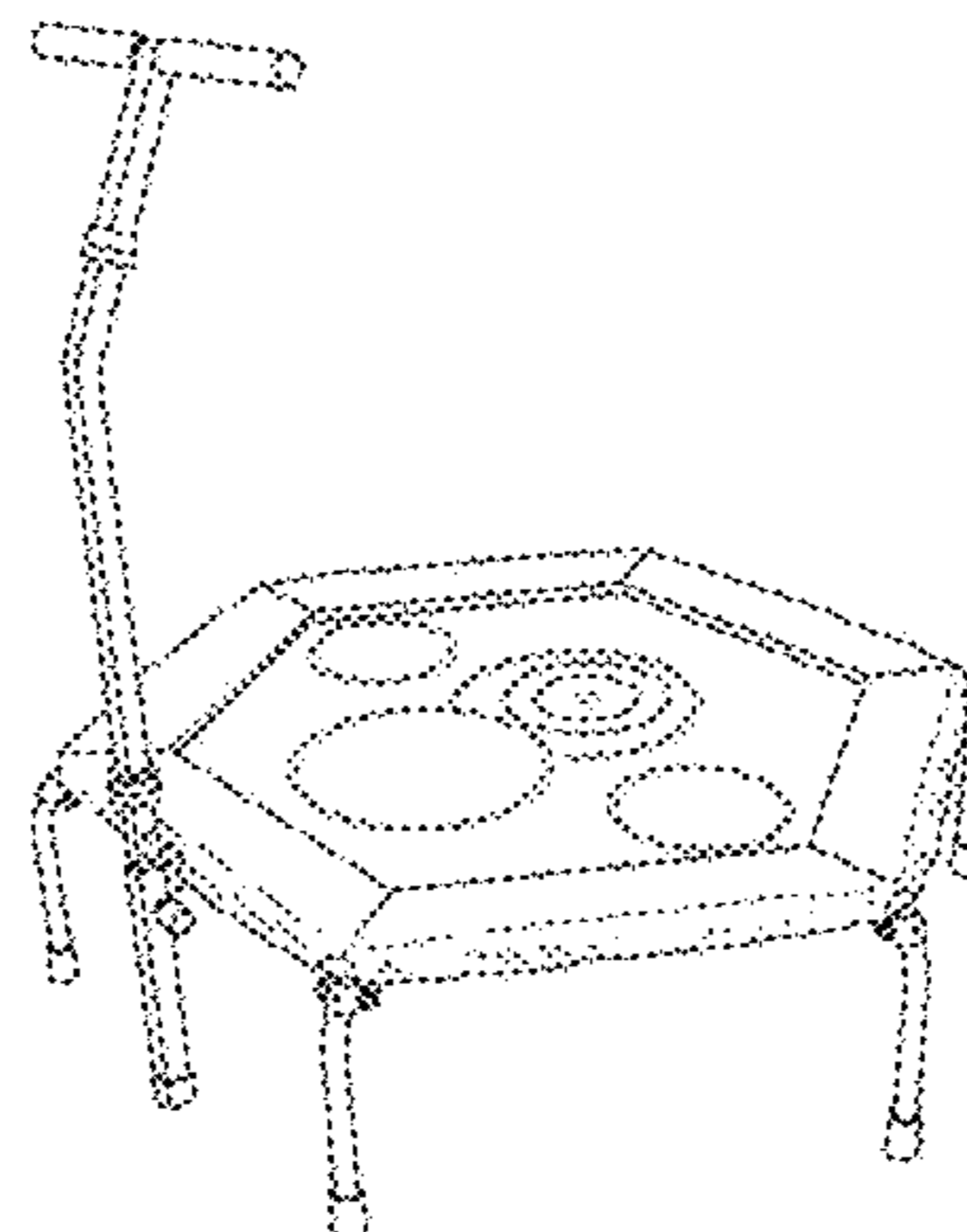
DESCRIPTION

1.-8. Trampoline

1.1 : Right

- 1.2 : Front
- 1.3 : Left
- 1.4 : Perspective
- 1.5 : Back
- 1.6 : Bottom
- 1.7 : Top
- 2.1 : Top
- 2.2 : Perspective
- 2.3 : Bottom
- 2.4 : Back
- 2.5 : Front
- 2.6 : Left
- 2.7 : Right
- 3.1 : Perspective
- 3.2 : Top
- 3.3 : Bottom
- 3.4 : Right
- 3.5 : Left
- 3.6 : Back
- 3.7 : Front
- 4.1 : Top
- 4.2 : Perspective
- 4.3 : Bottom
- 4.4 : Left
- 4.5 : Right
- 4.6 : Back
- 4.7 : Right
- 5.1 : Top
- 5.2 : Perspective
- 5.3 : Bottom
- 5.4 : Right
- 5.5 : Back
- 5.6 : Left
- 5.7 : Front
- 6.1 : Top
- 6.2 : Perspective
- 6.3 : Bottom
- 6.4 : Right
- 6.5 : Back
- 6.6 : Left
- 6.7 : Front
- 7.1 : Top
- 7.2 : Perspective
- 7.3 : Bottom

(Continued)



7.4 : Left
7.5 : Right
7.6 : Front
7.7 : Back
8.1 : Top
8.2 : Perspective
8.3 : Bottom
8.4 : Left
8.5 : Back
8.6 : Front
8.7 : Left

1 Claim, 56 Drawing Sheets

(58) **Field of Classification Search**

CPC A47D 13/00; A47D 13/06; A47D 13/061;
A47D 13/063; A47D 13/065; A47D
13/066; A47D 13/068; A63B 5/00; A63B
5/11

See application file for complete search history.

(56)

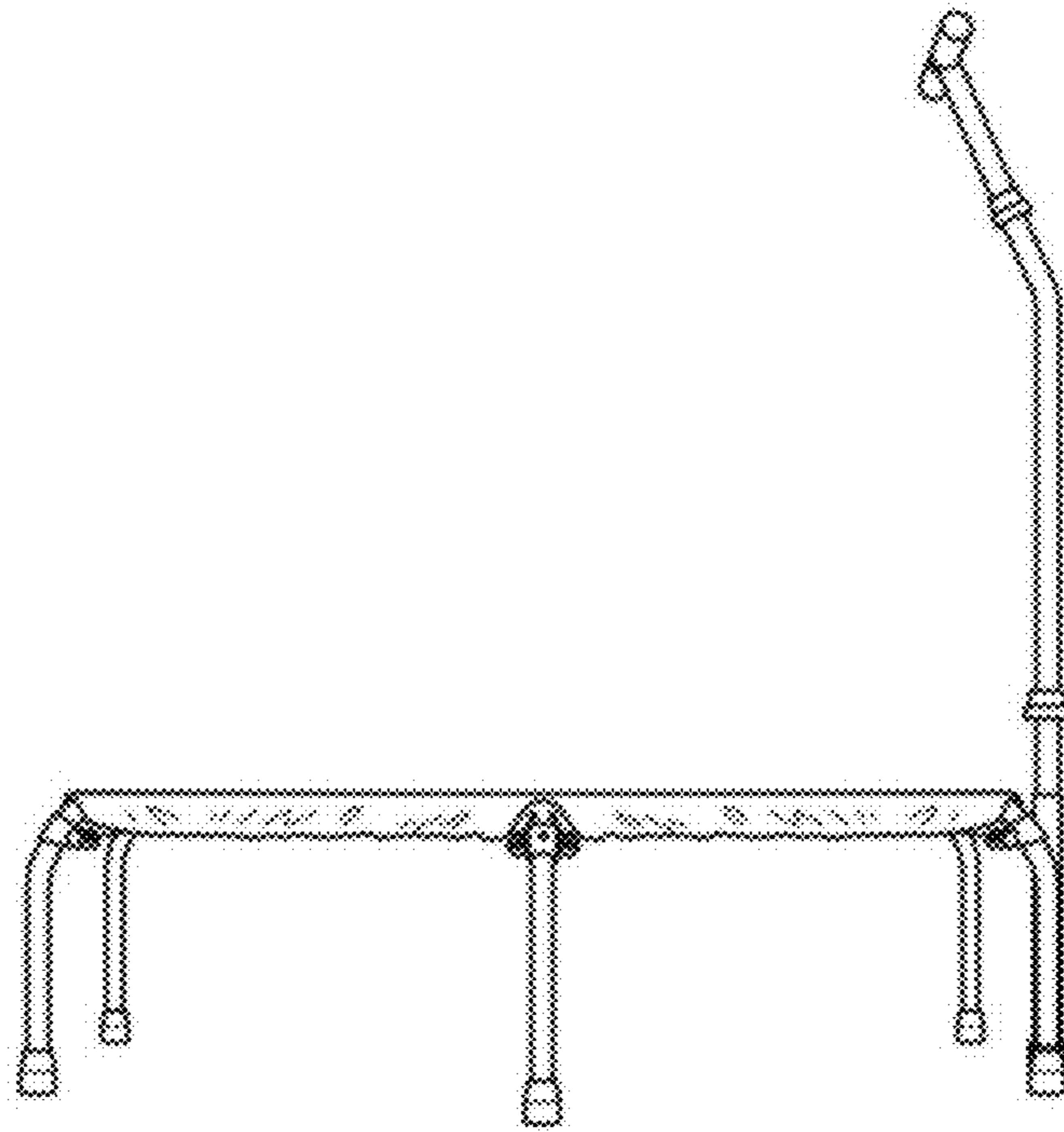
References Cited

U.S. PATENT DOCUMENTS

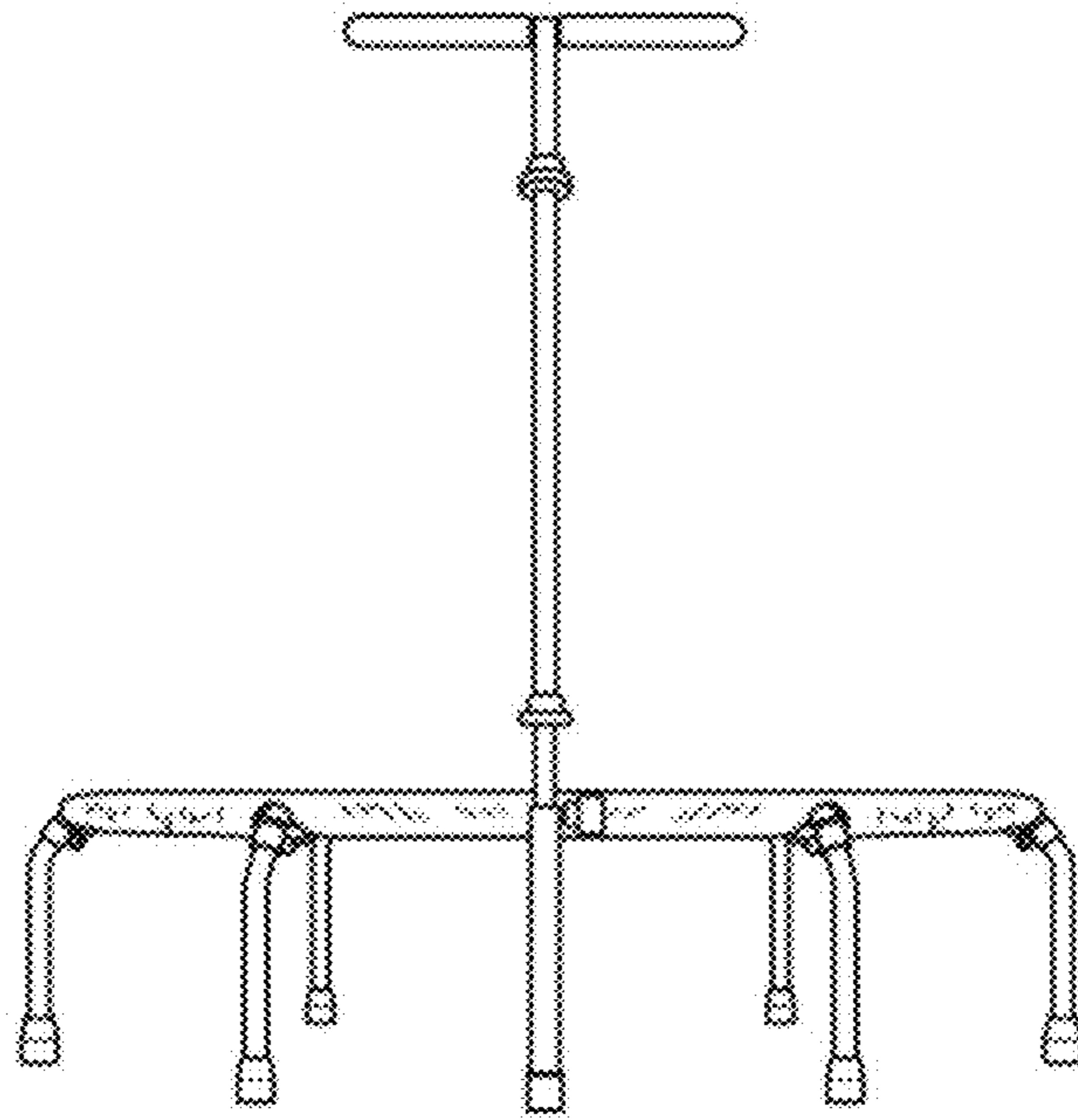
3,767,192 A * 10/1973 Eriksson A63B 5/11
482/27
3,948,515 A * 4/1976 McNeil A63B 5/11
482/27
4,284,271 A * 8/1981 Pettit A63B 5/11
182/139
D270,557 S * 9/1983 Williams A63B 5/11
D21/797
D304,850 S * 11/1989 Chambers D21/797
D362,478 S * 9/1995 Wilkinson D21/797
D363,325 S * 10/1995 Wilkinson D21/797
D384,115 S * 9/1997 Wilkinson D21/668
D496,422 S * 9/2004 Rota D21/780
D504,711 S * 5/2005 Hsiung D21/797
D666,266 S * 8/2012 Publicover D21/797
D758,515 S * 6/2016 Tsai D21/797
D786,997 S * 5/2017 Gaut D21/797

* cited by examiner

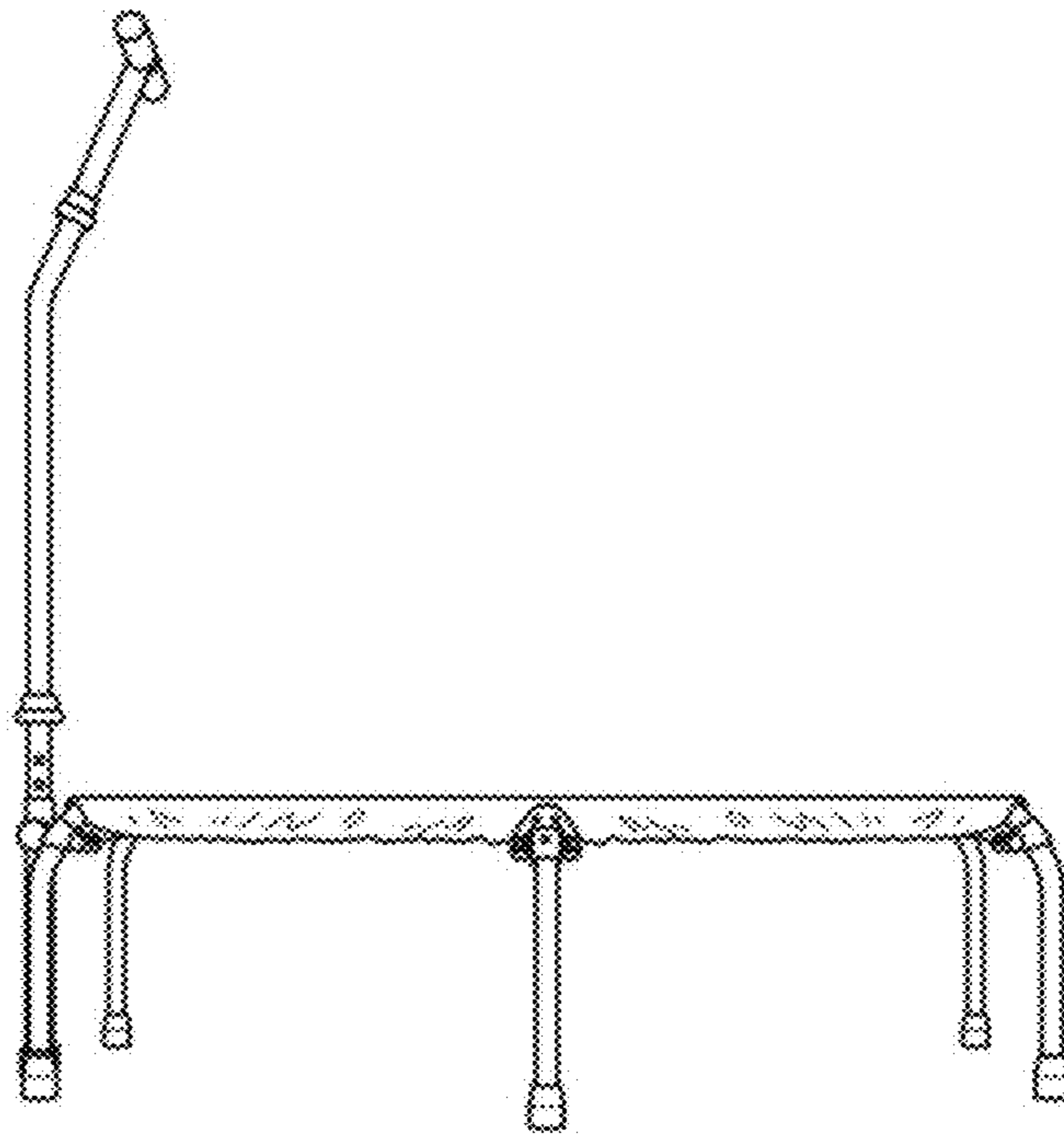
1.1



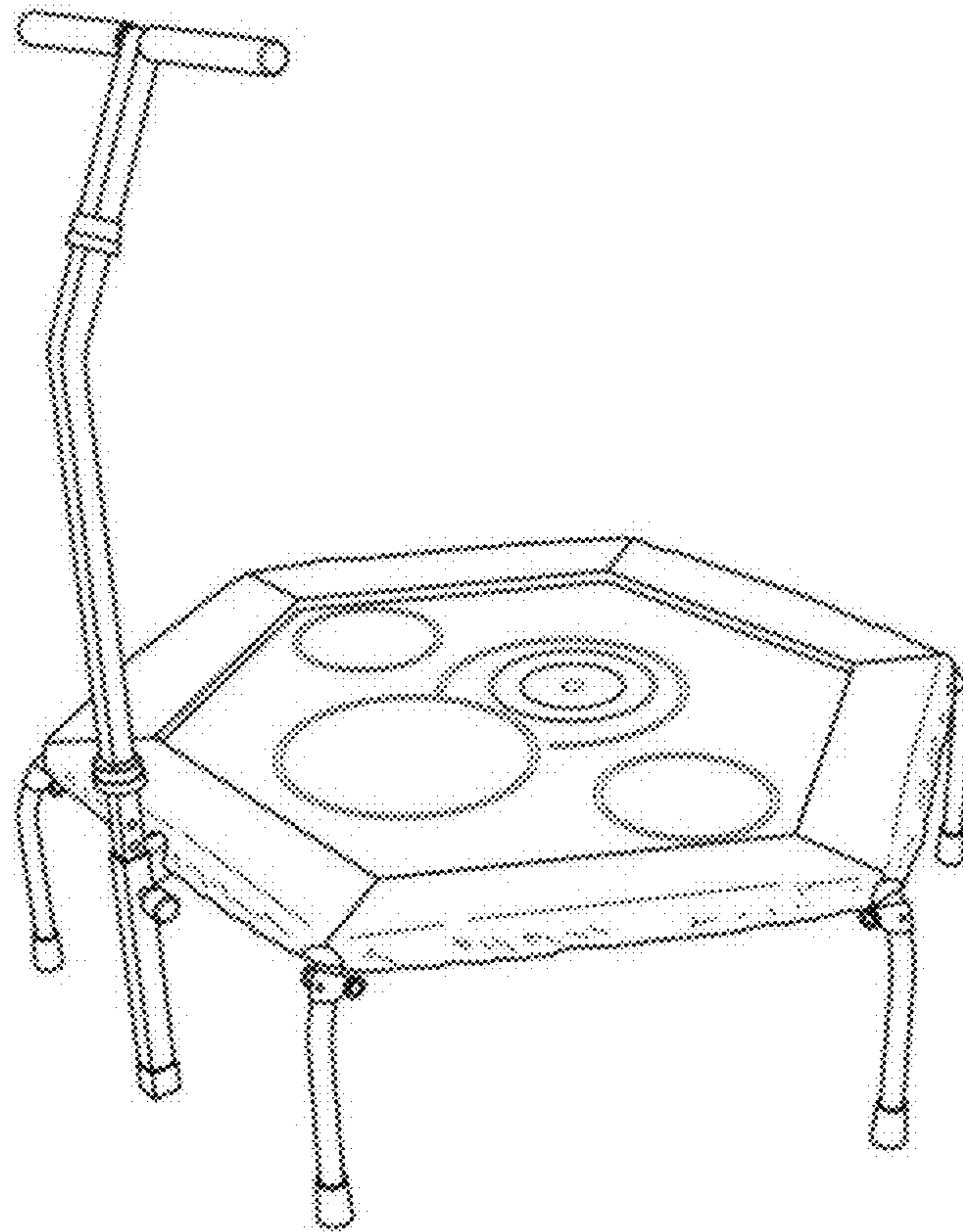
1.2



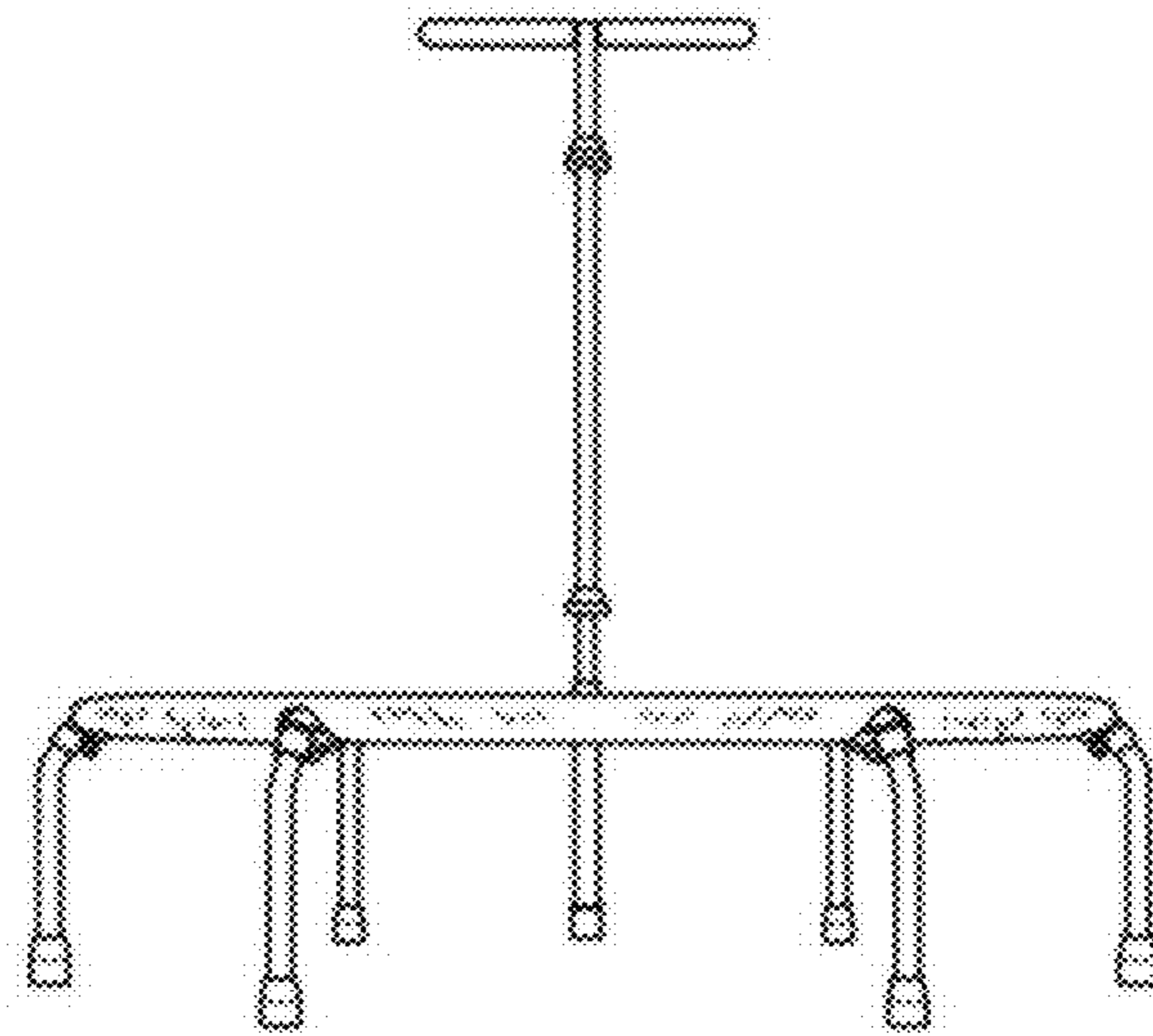
1.3



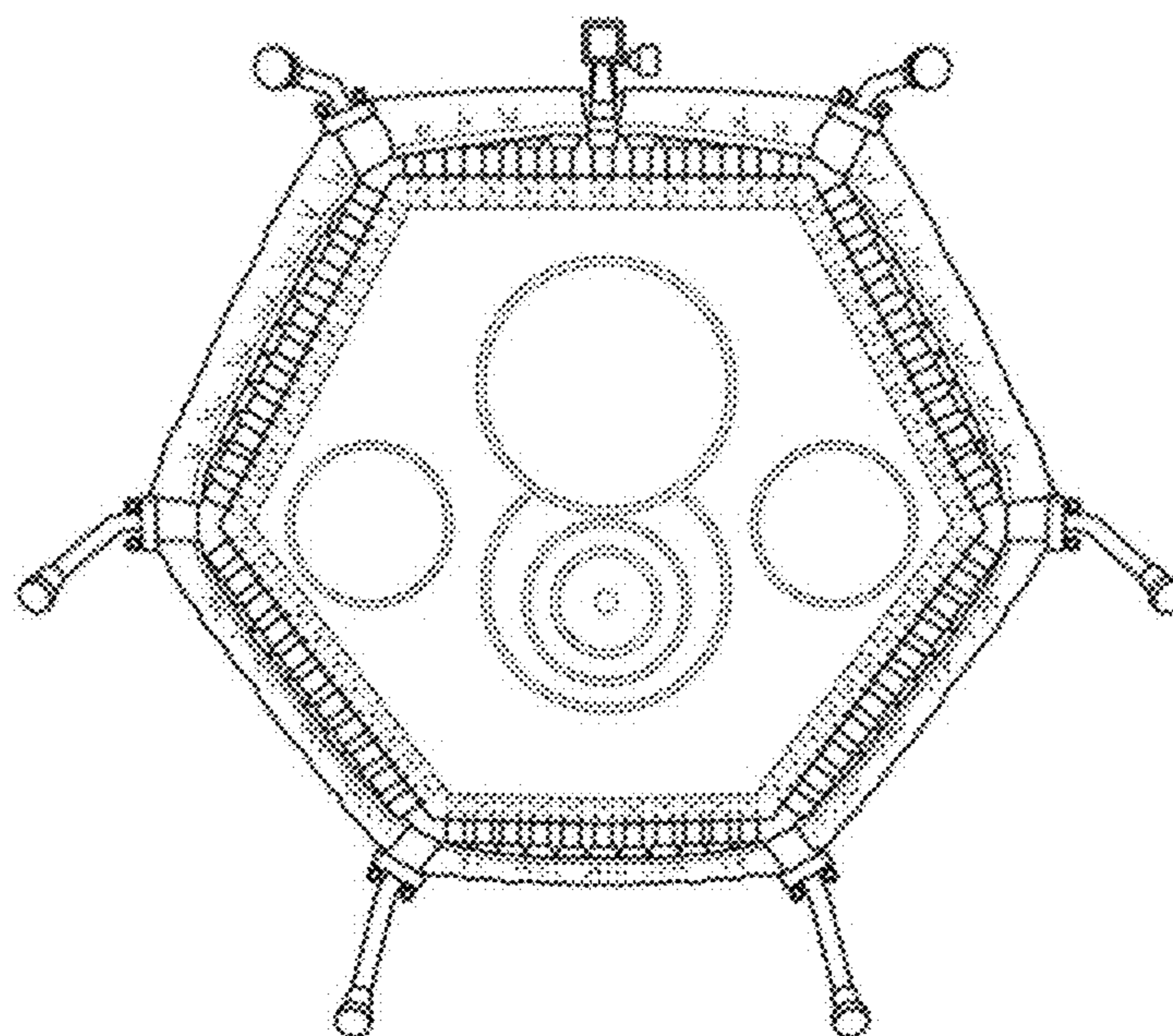
1.4



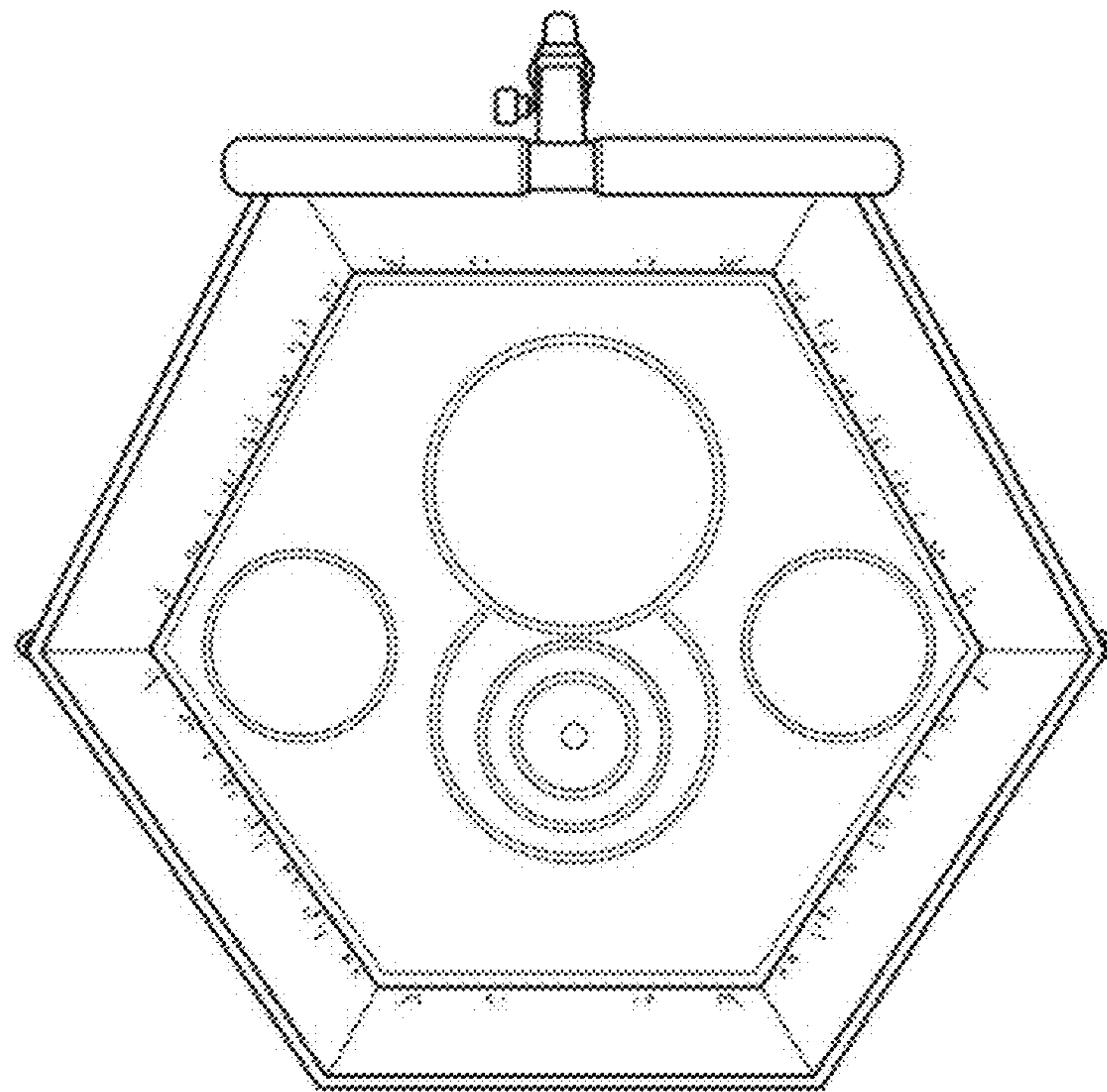
1.5



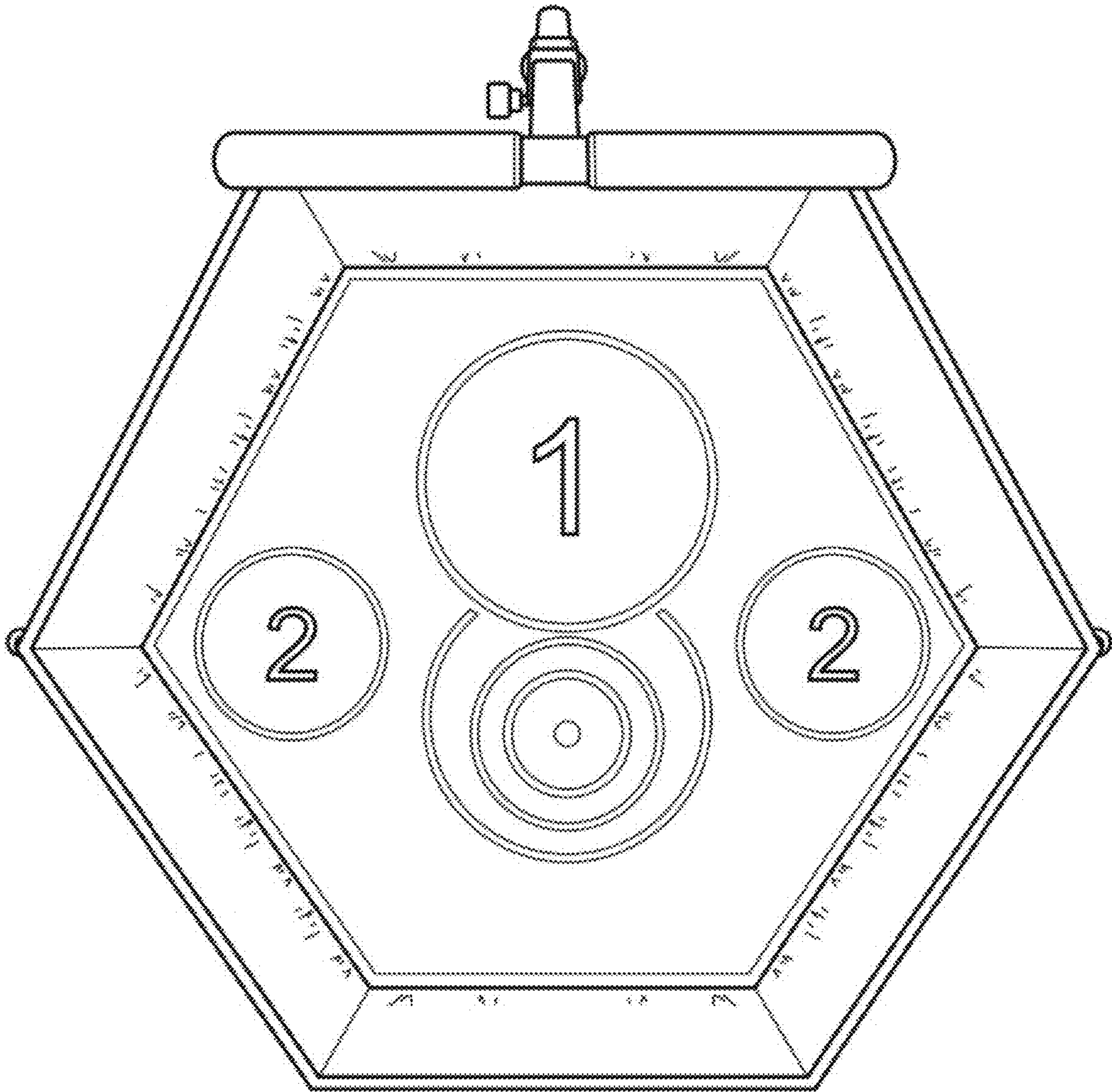
1.6



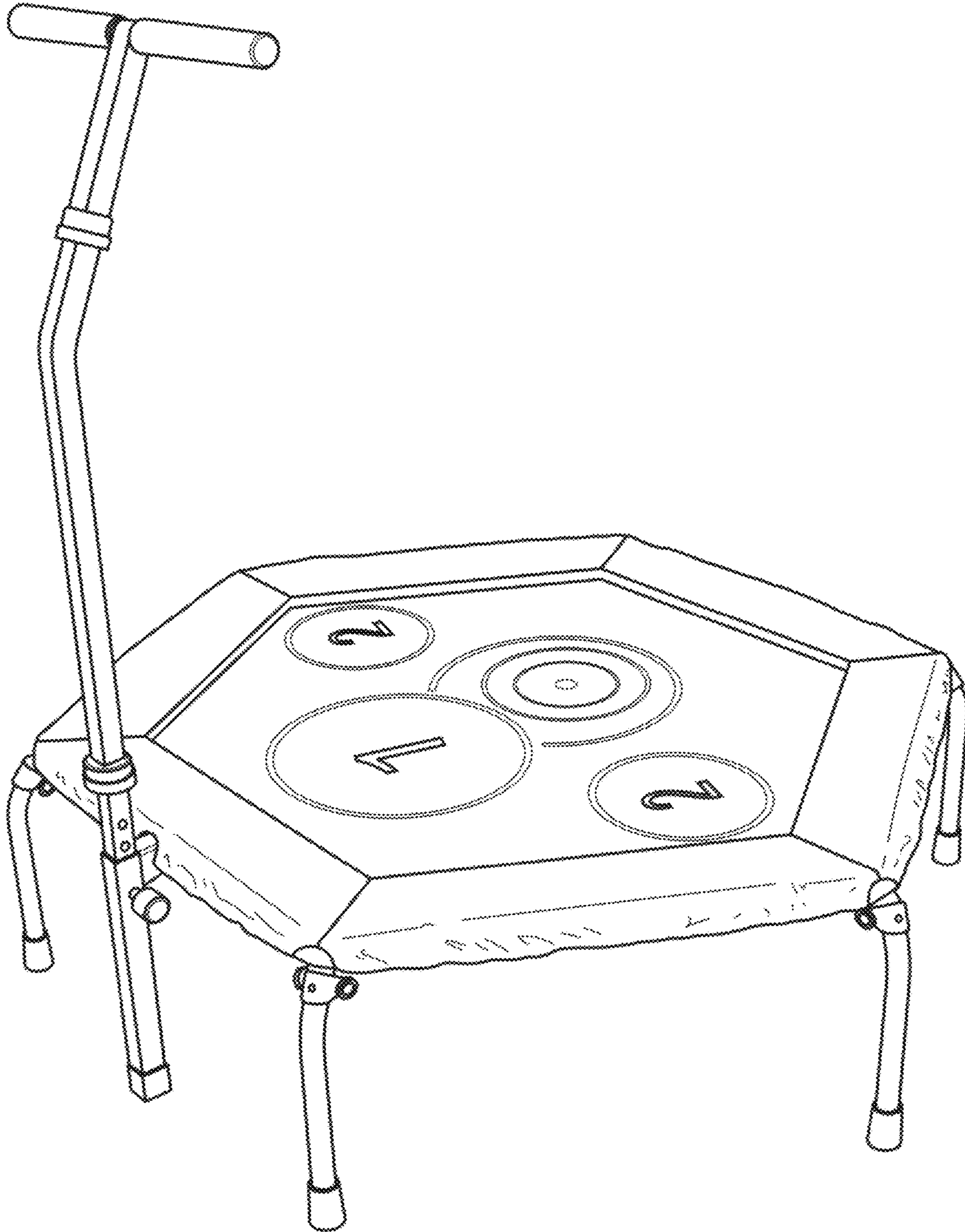
1.7



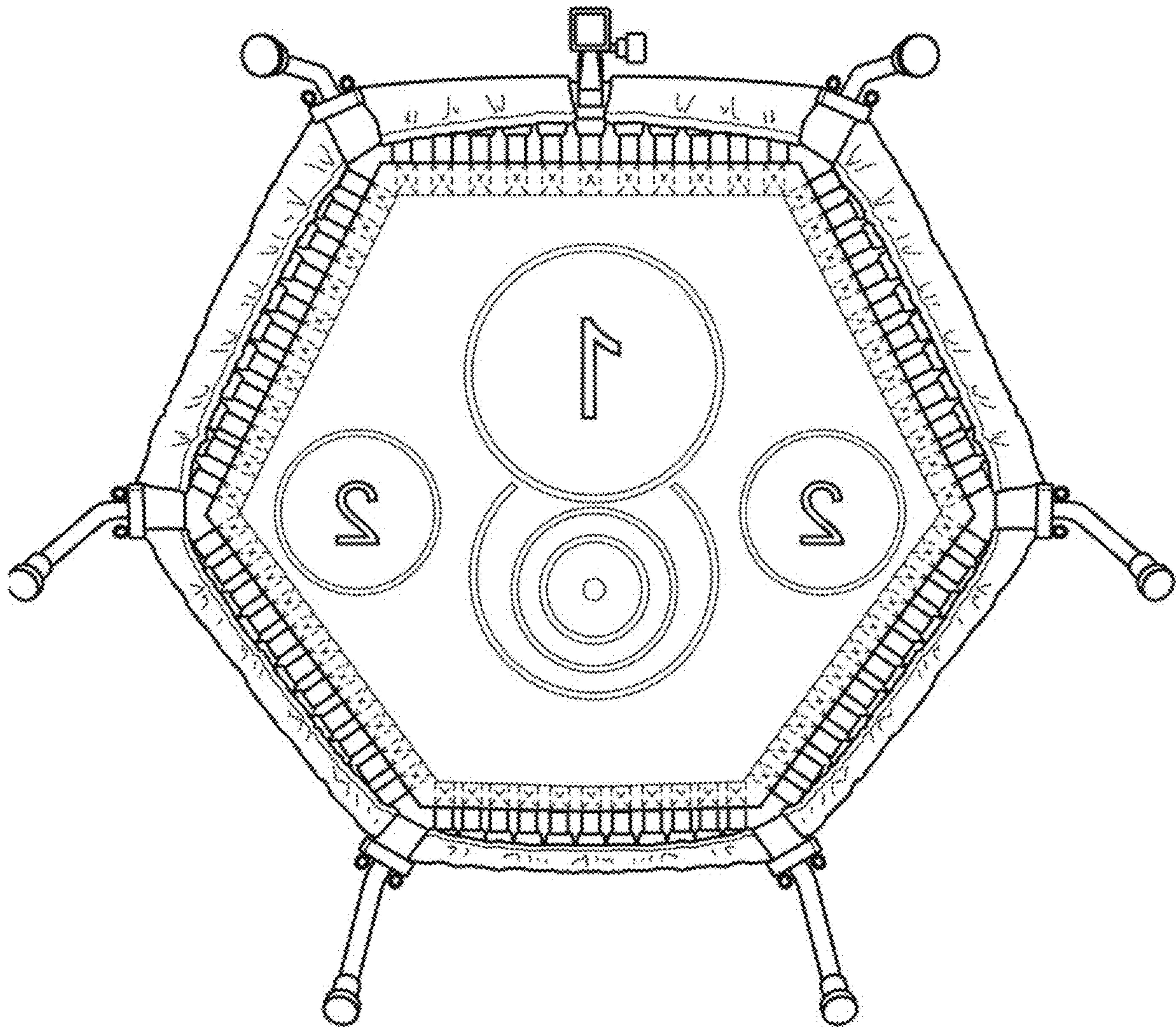
2.1



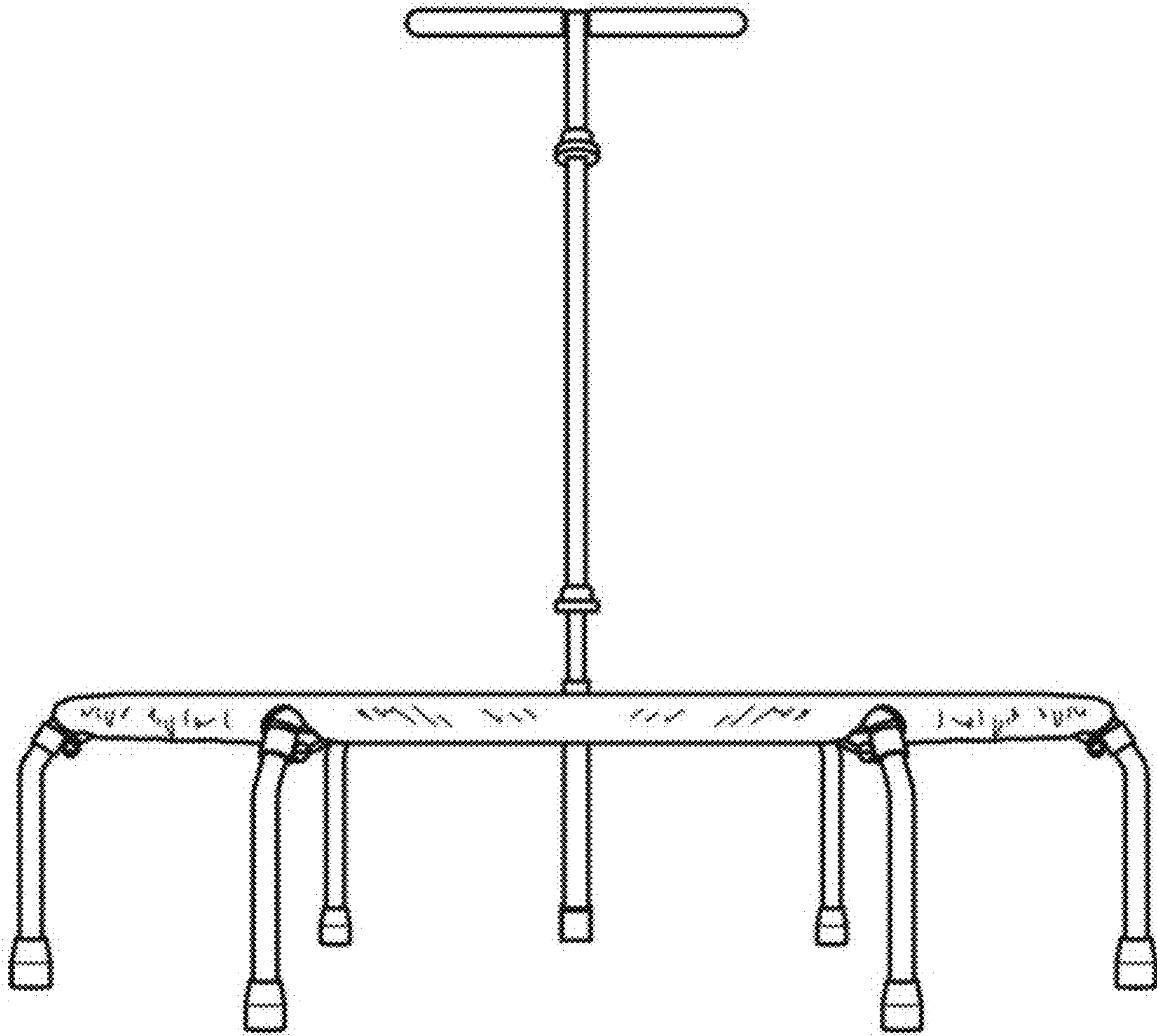
2.2



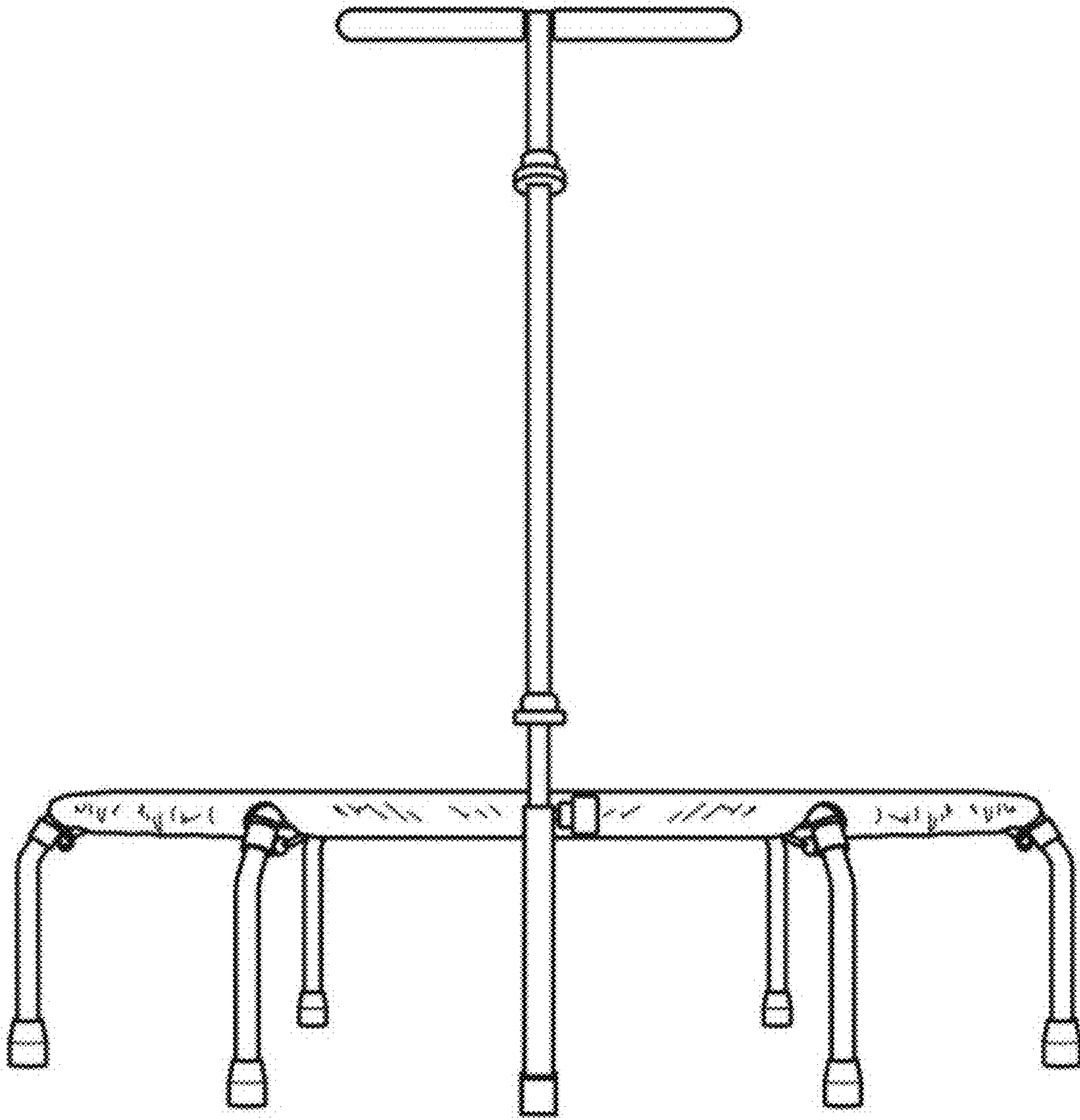
2.3



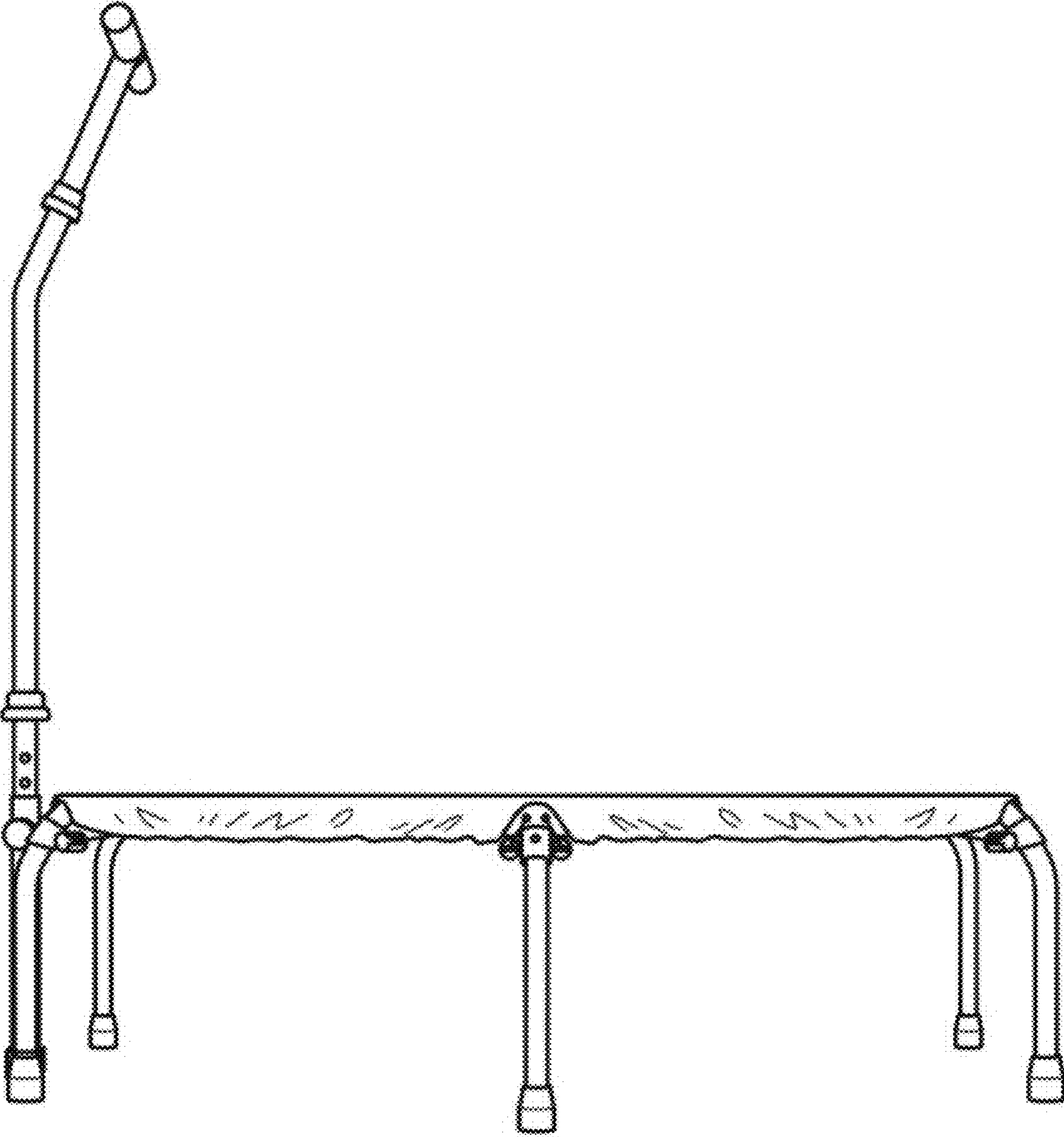
2.4



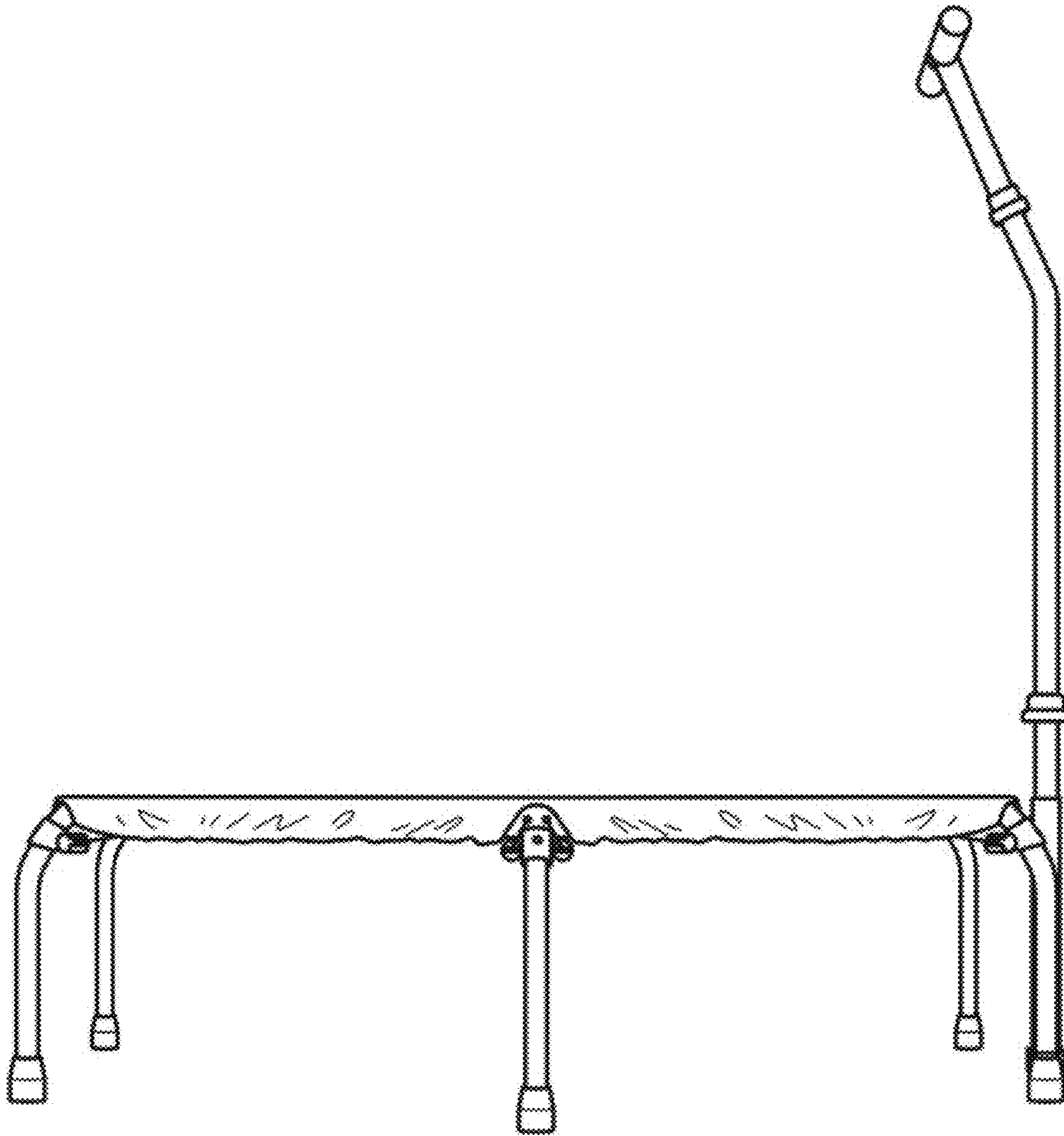
2.5



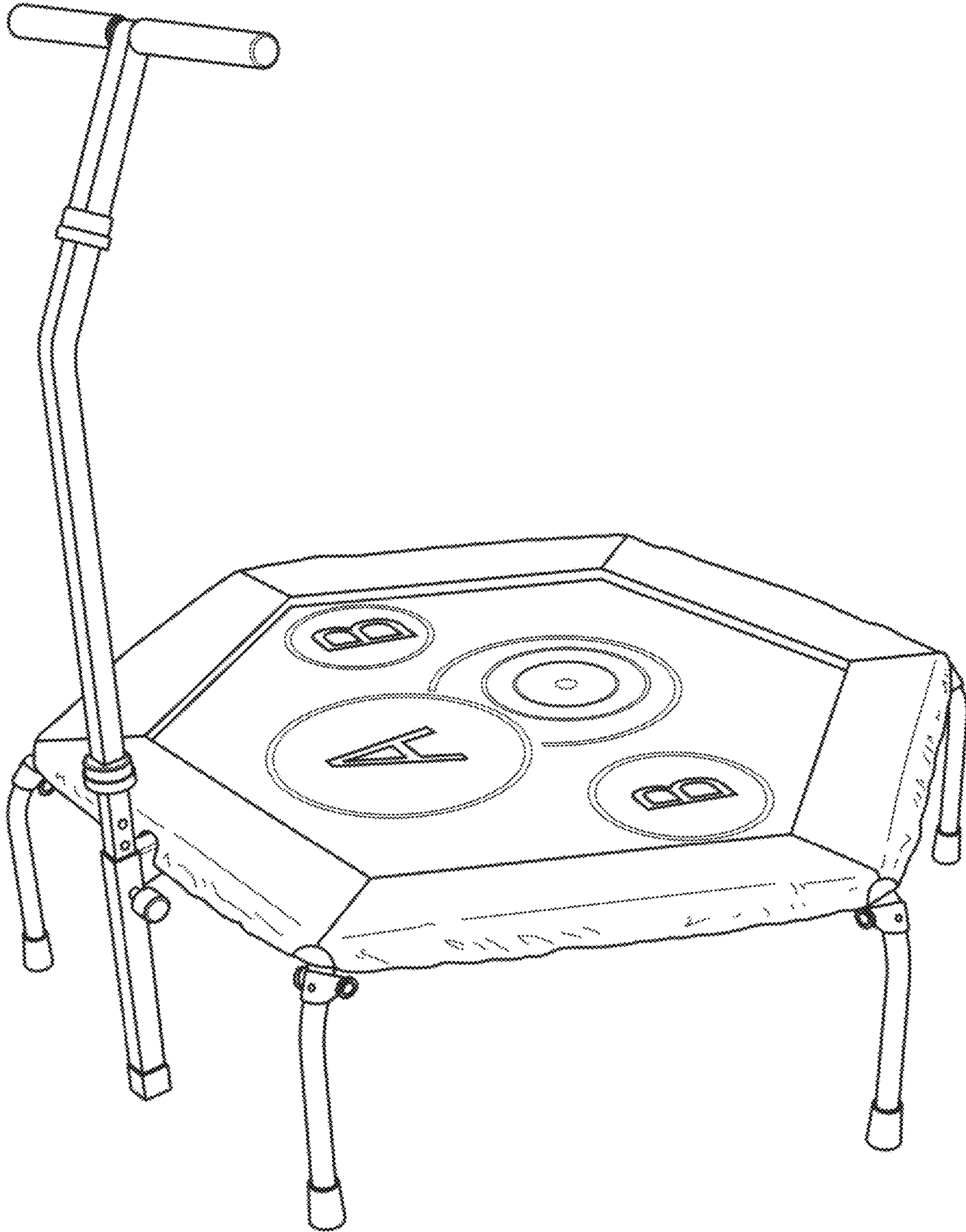
2.6



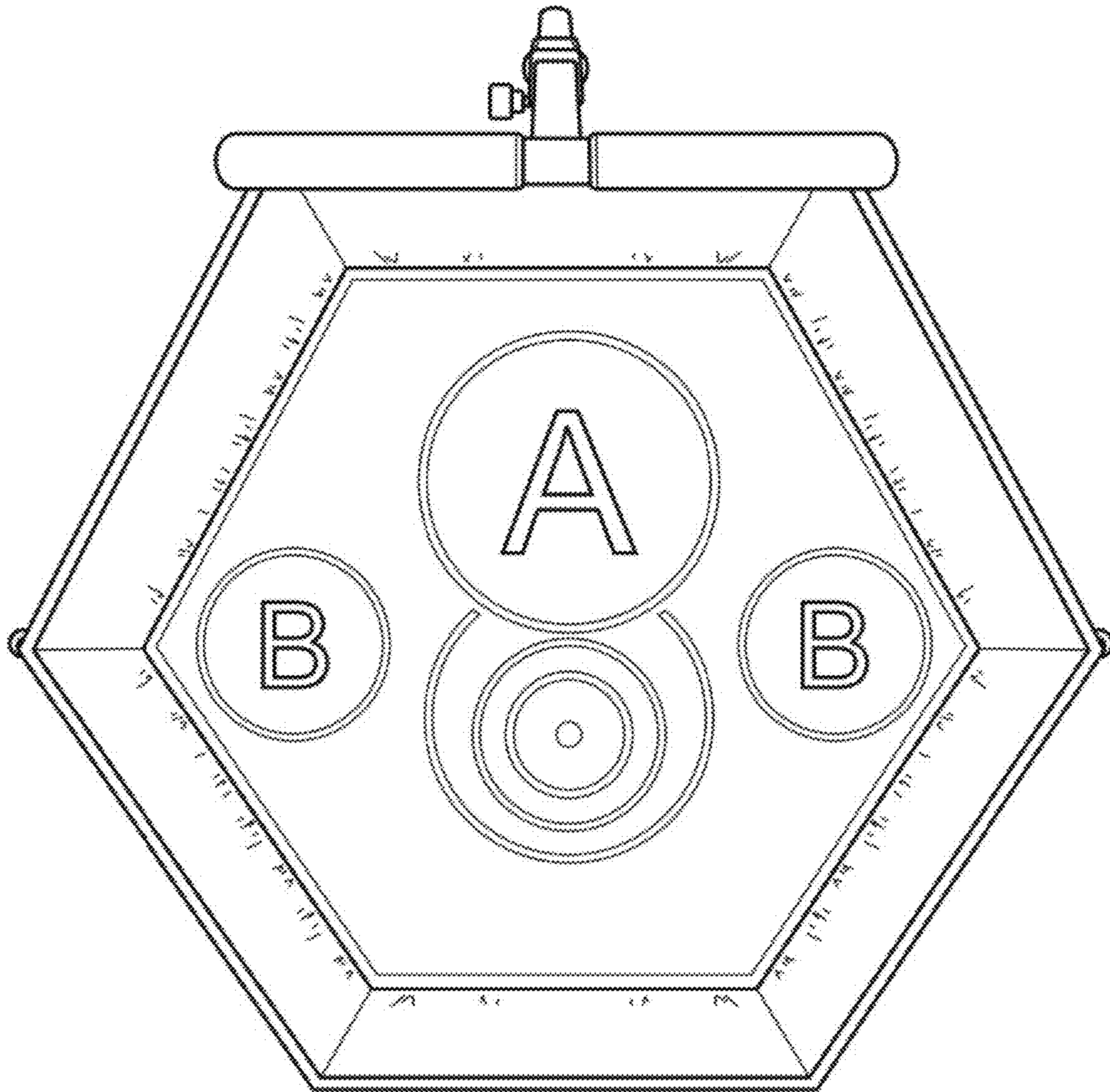
2.7



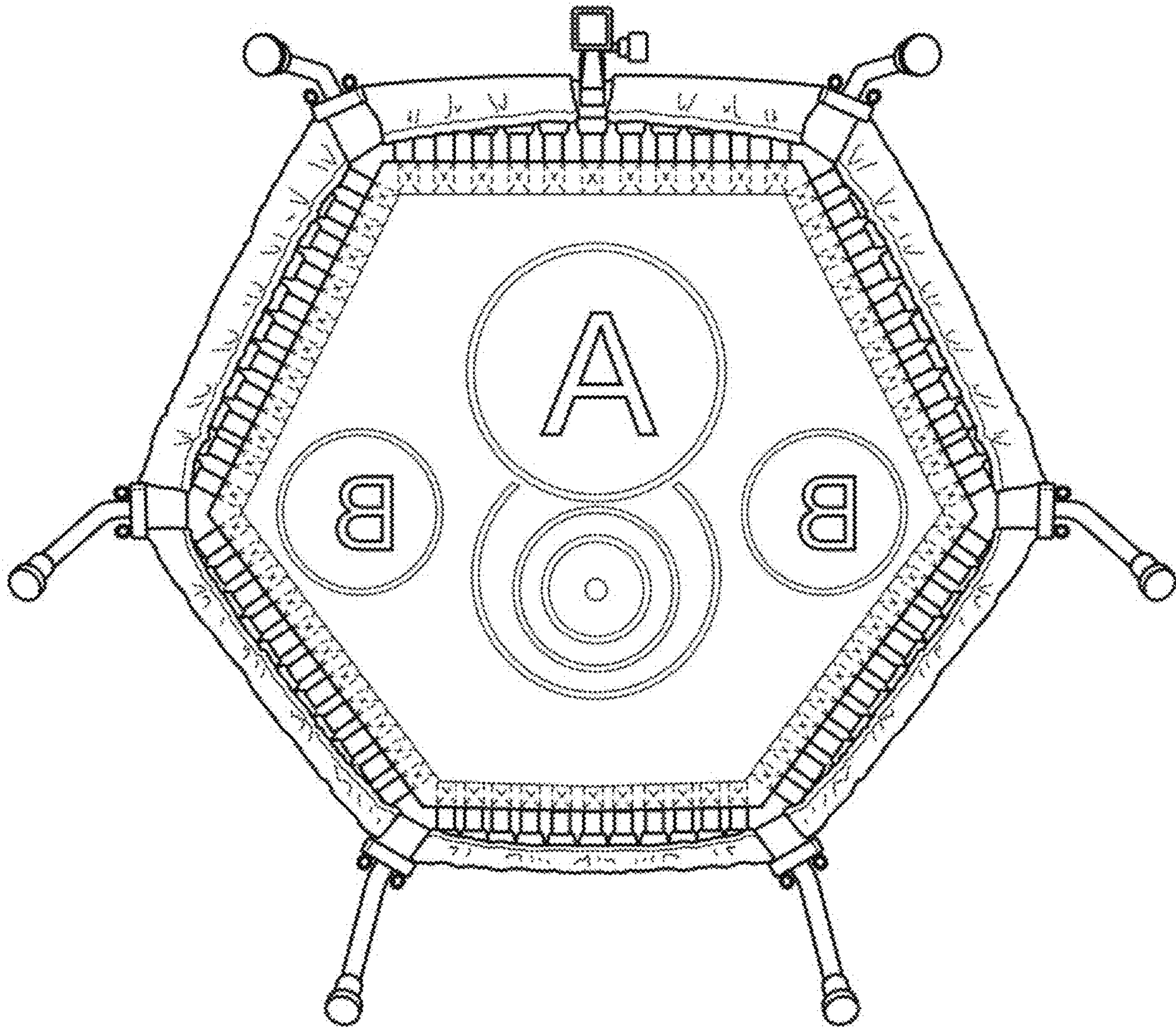
3.1



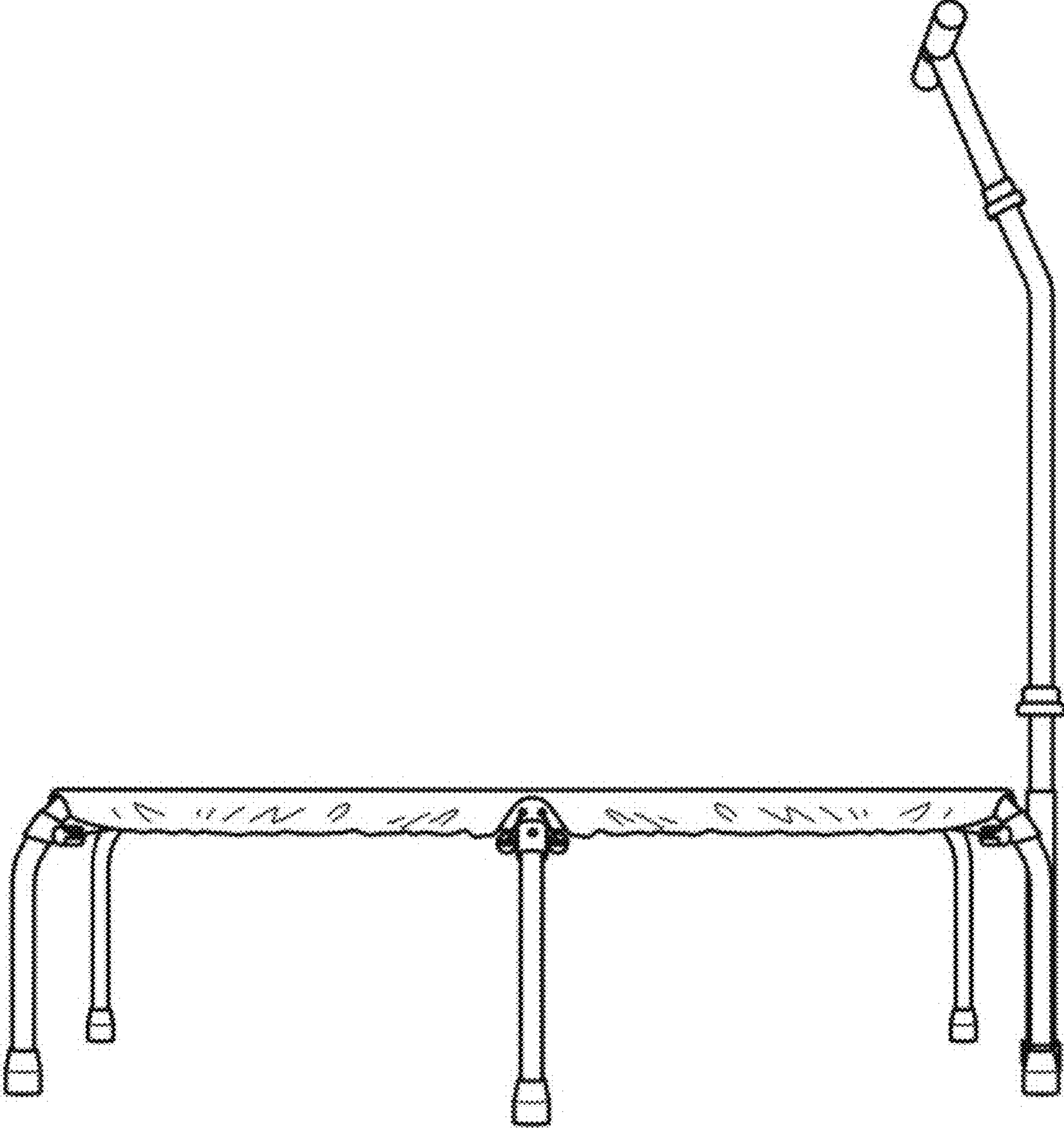
3.2



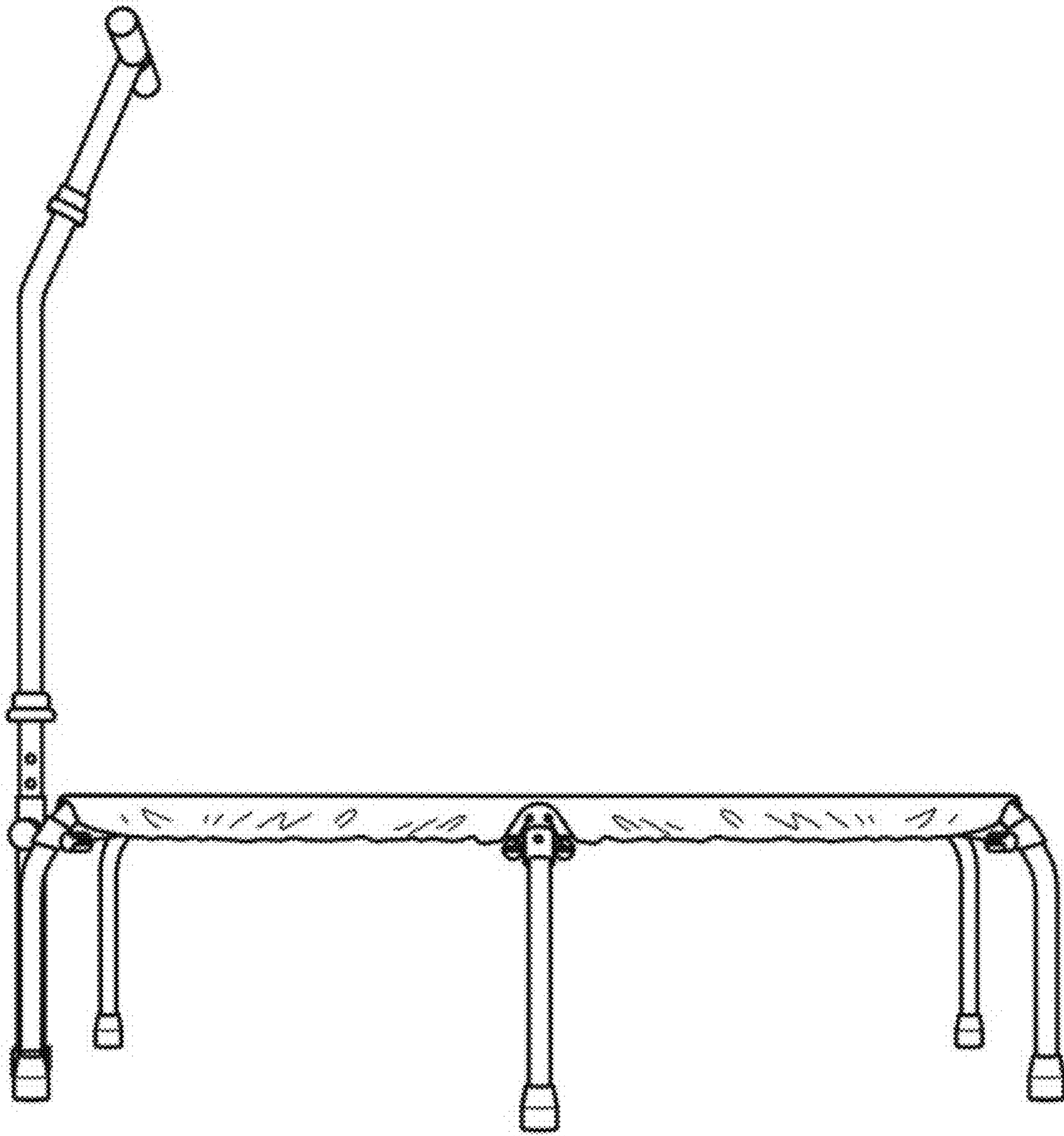
3.3



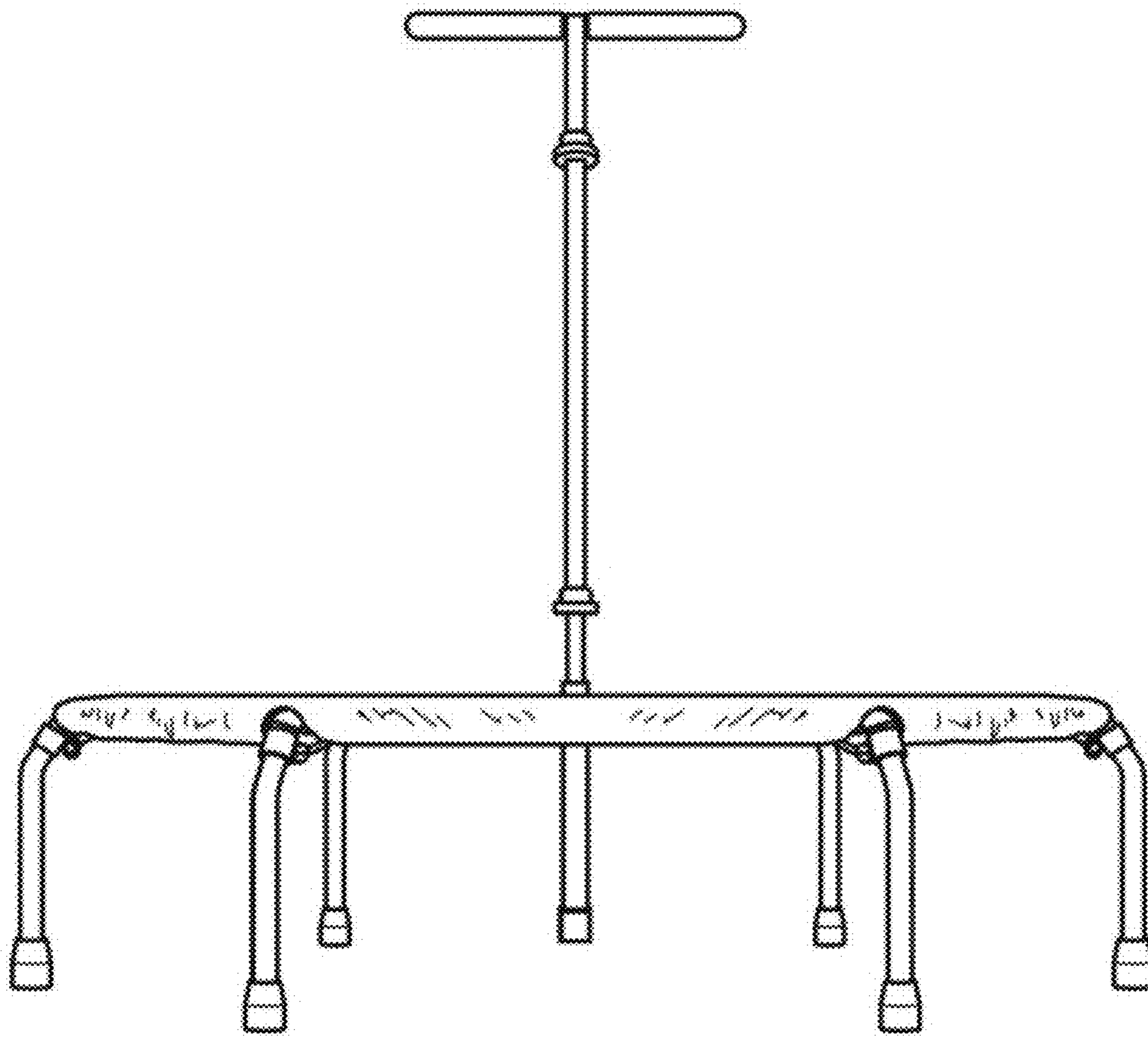
3.4



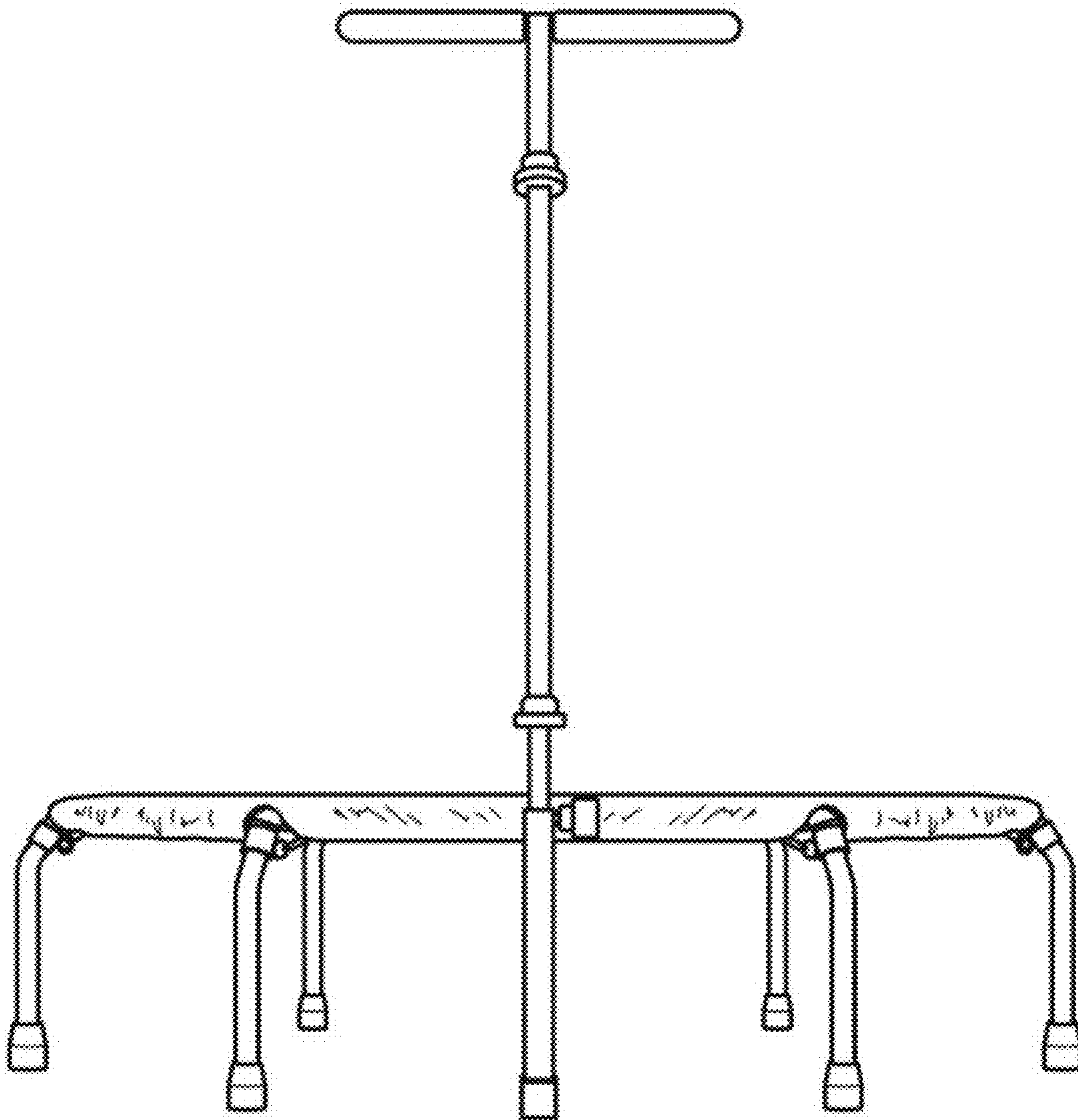
3.5



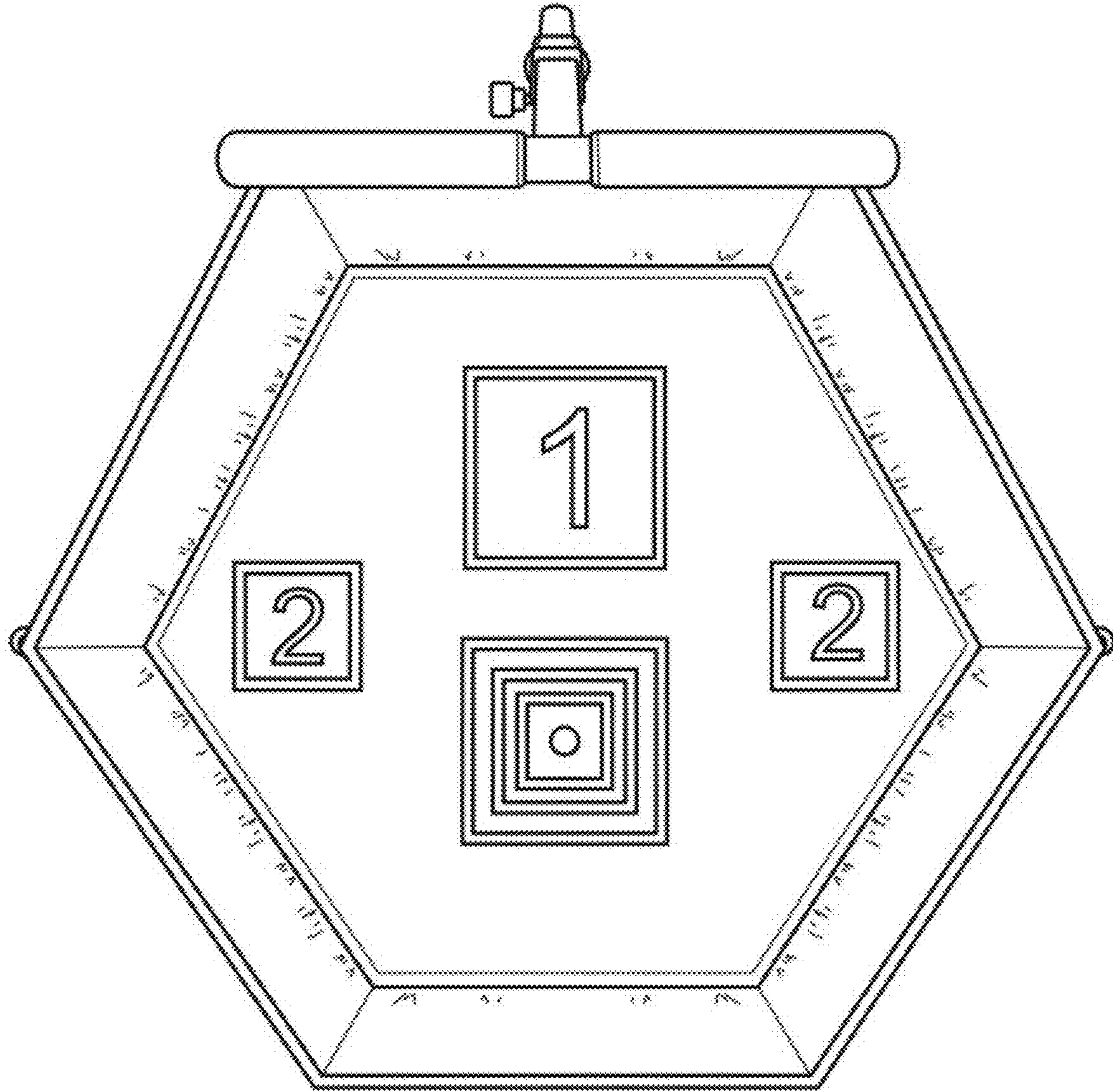
3.6

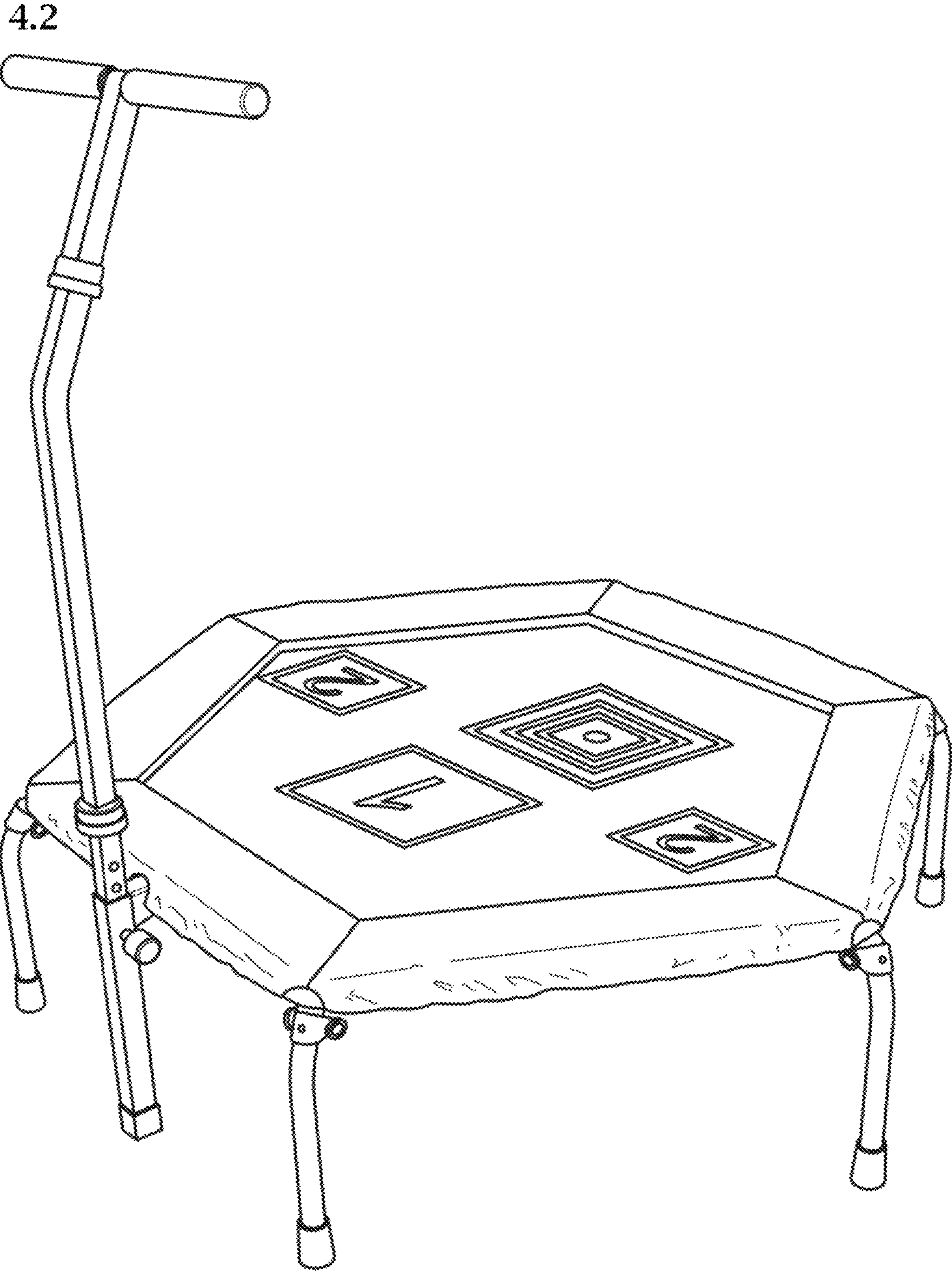


3.7

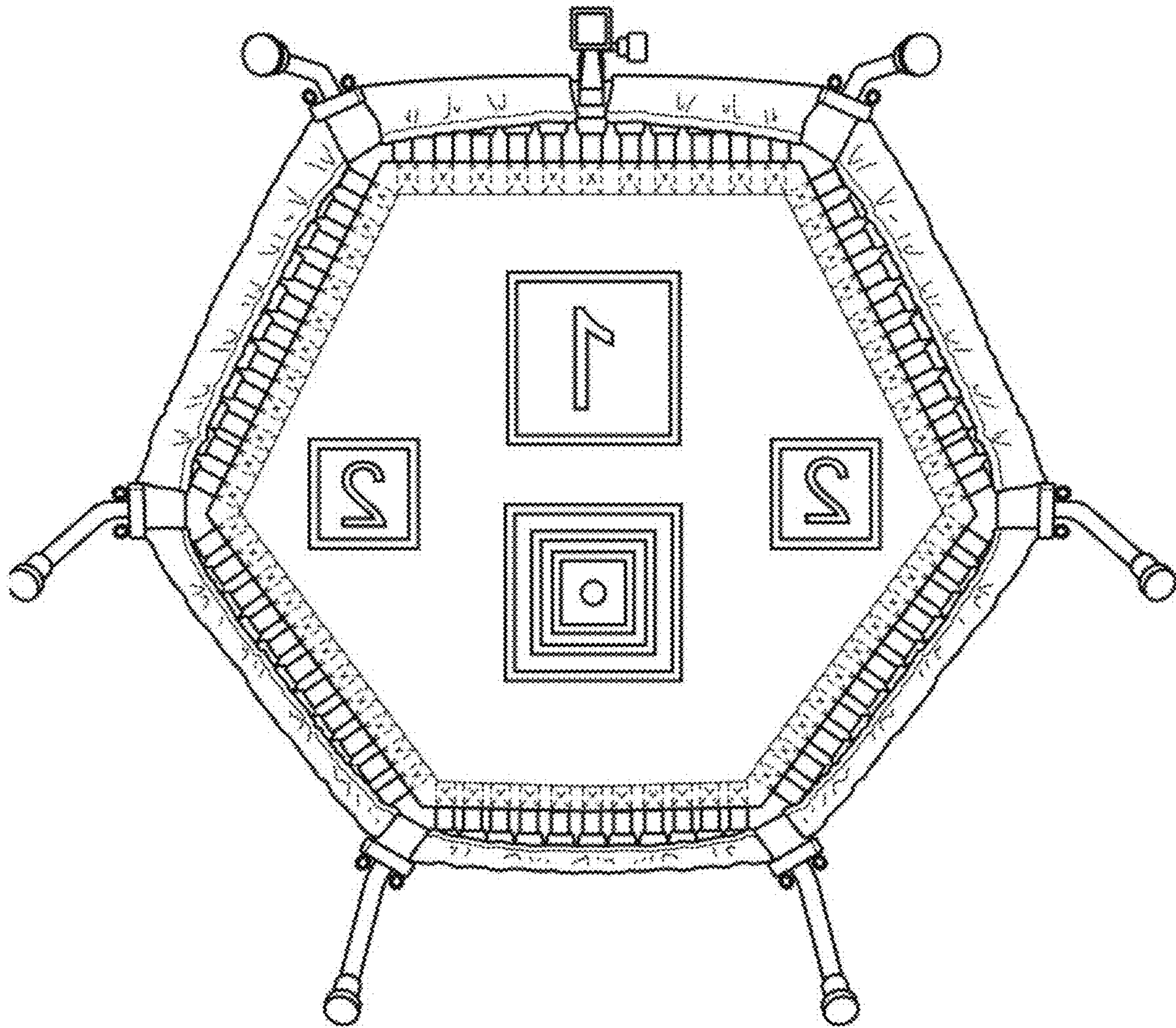


4.1

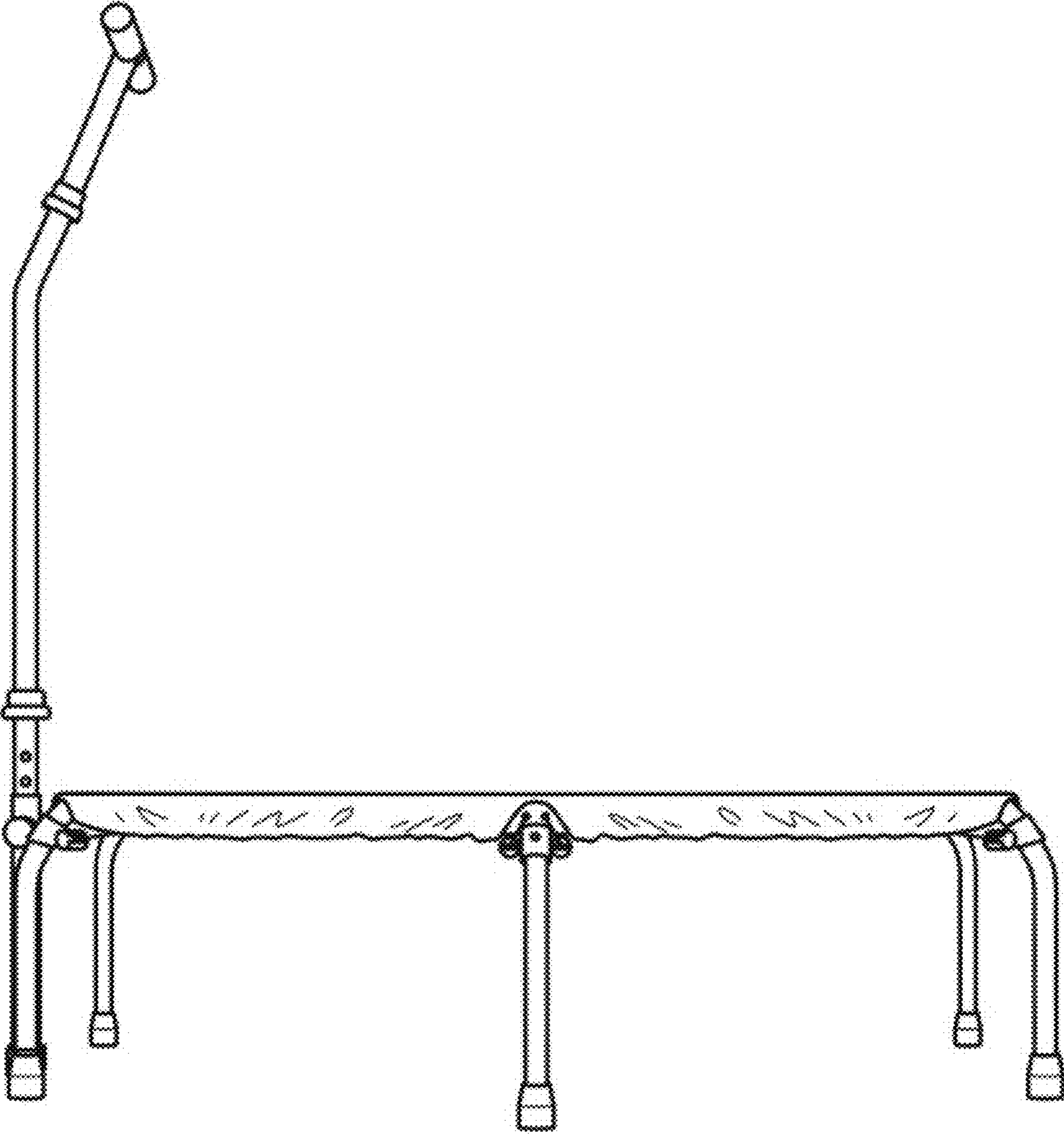




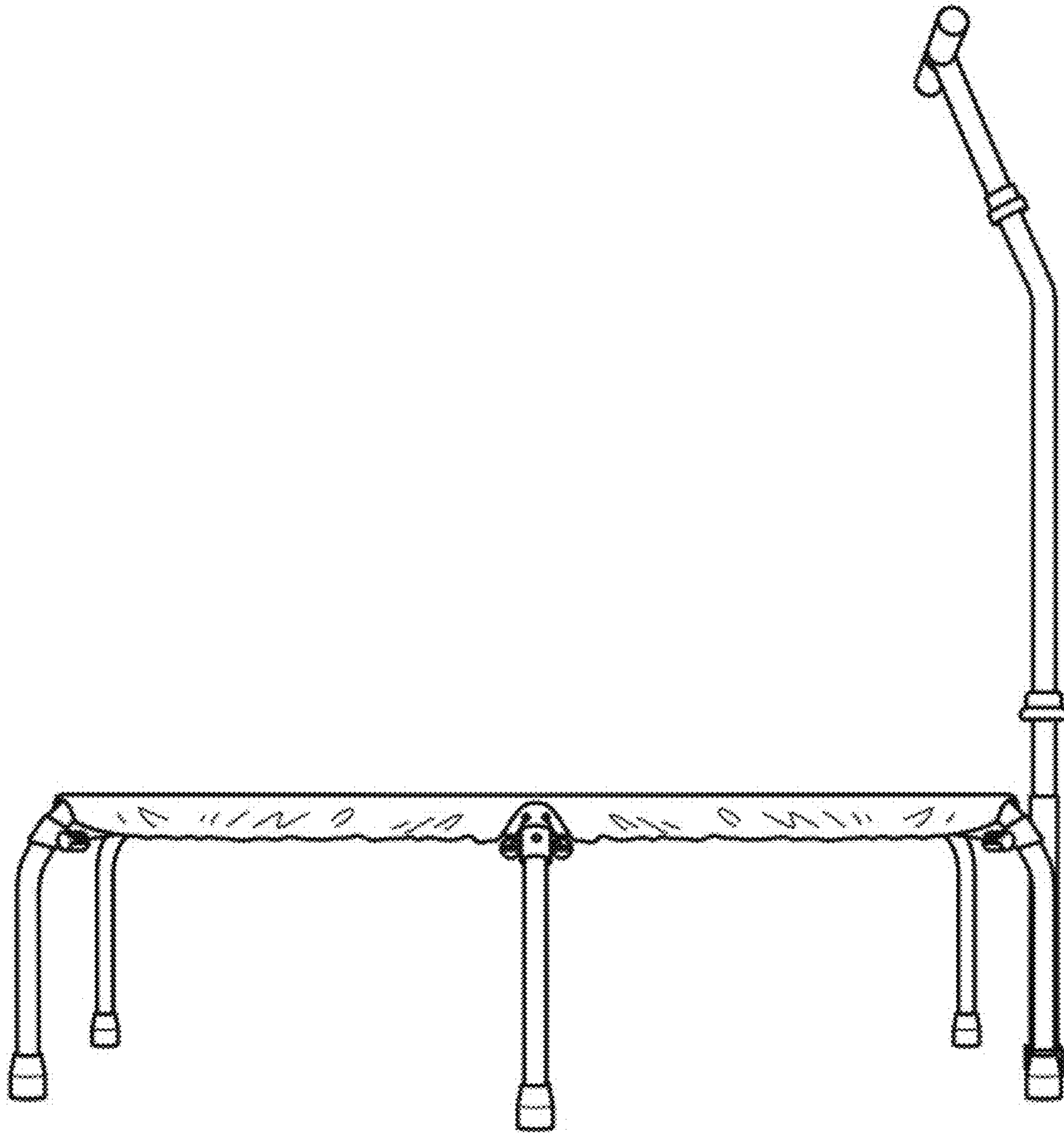
4.3



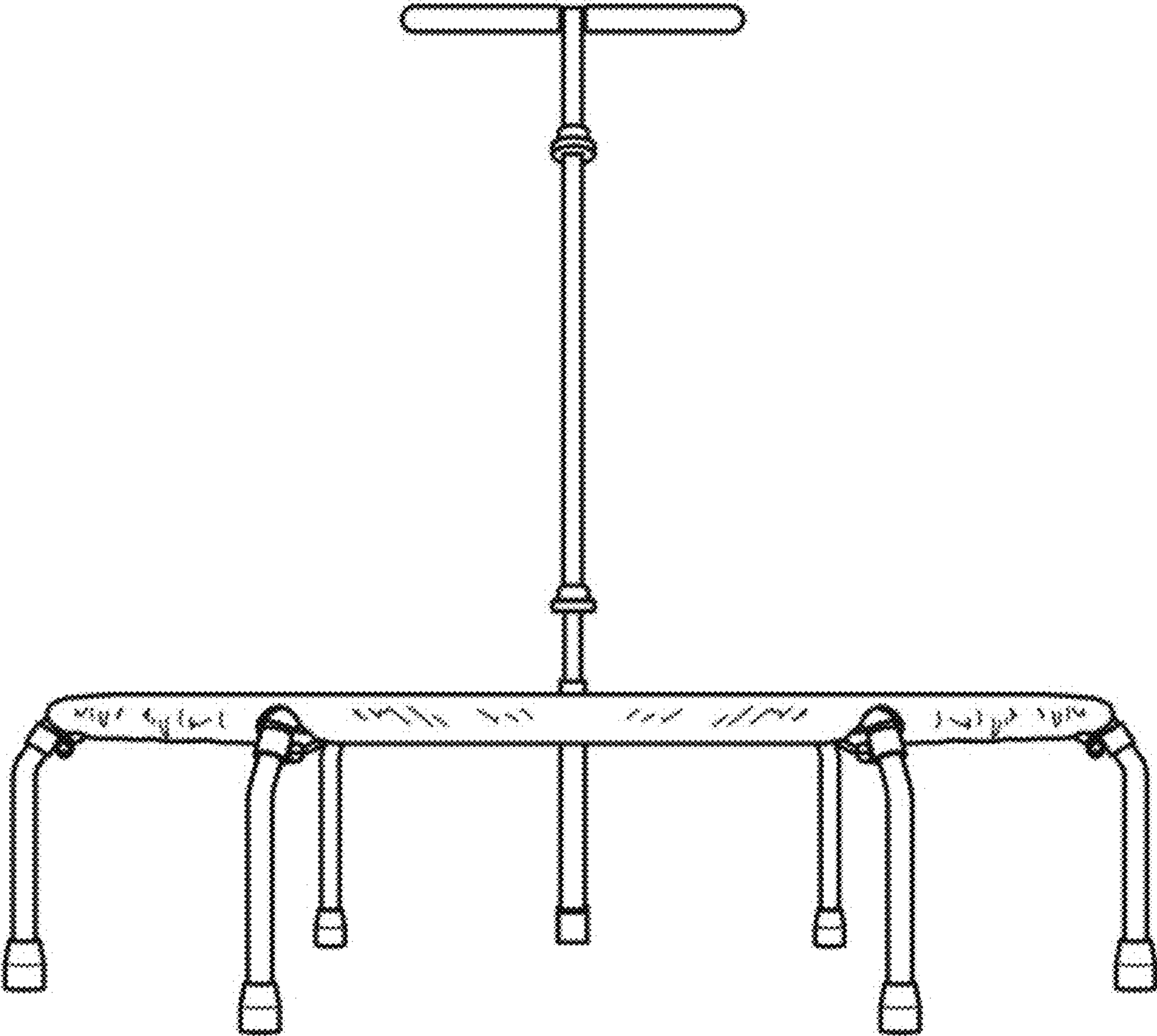
4.4



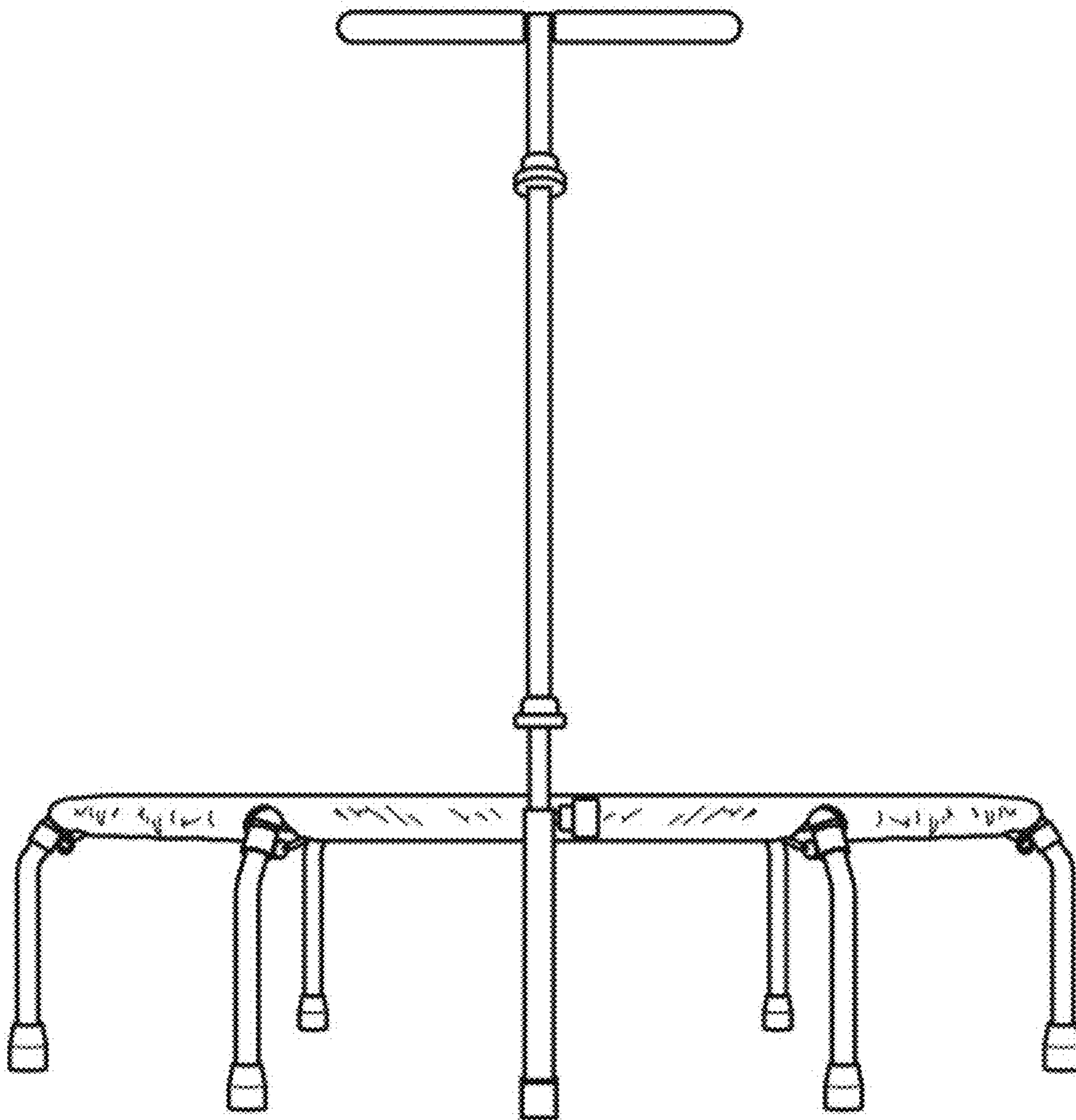
4.5



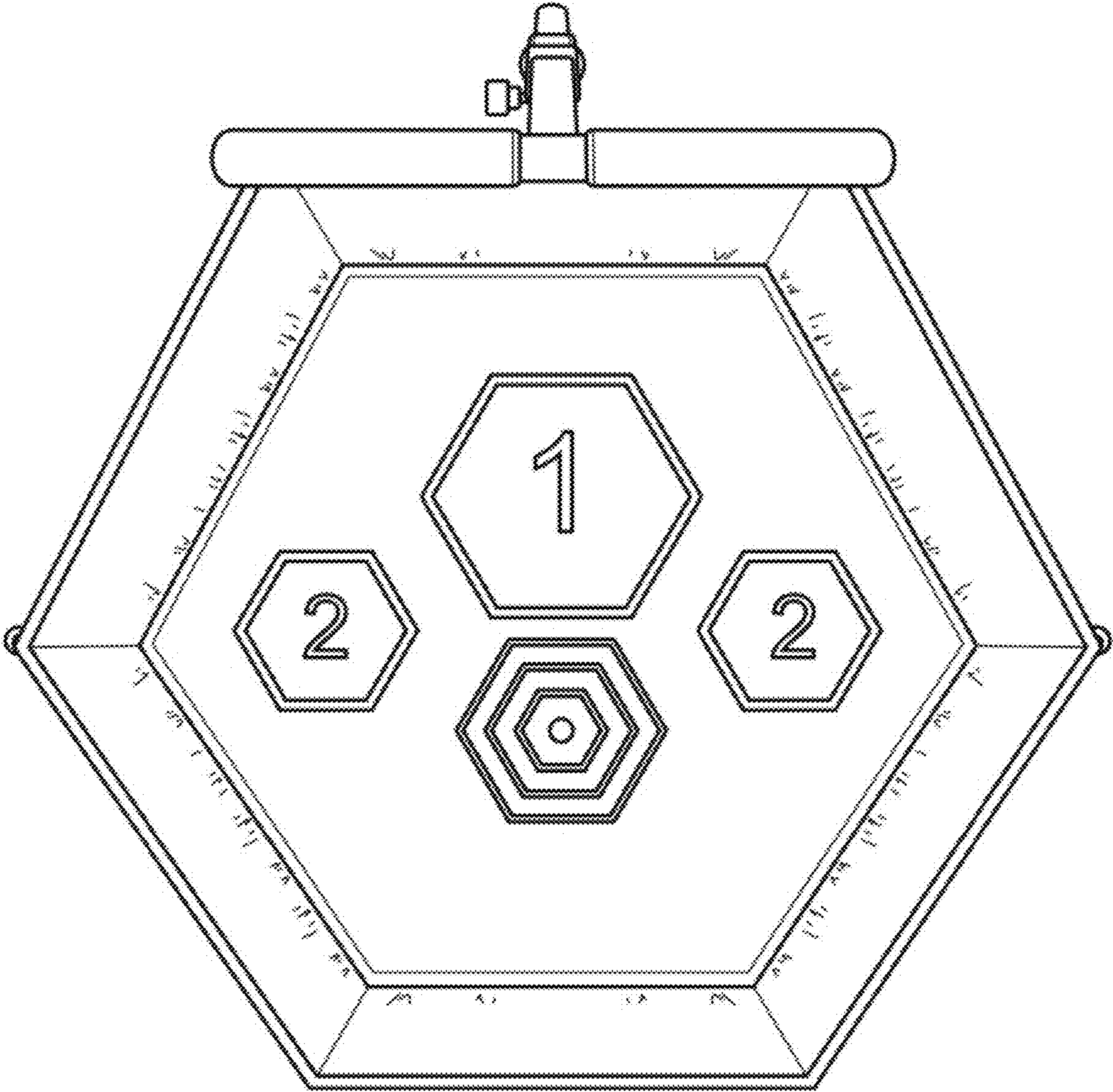
4.6



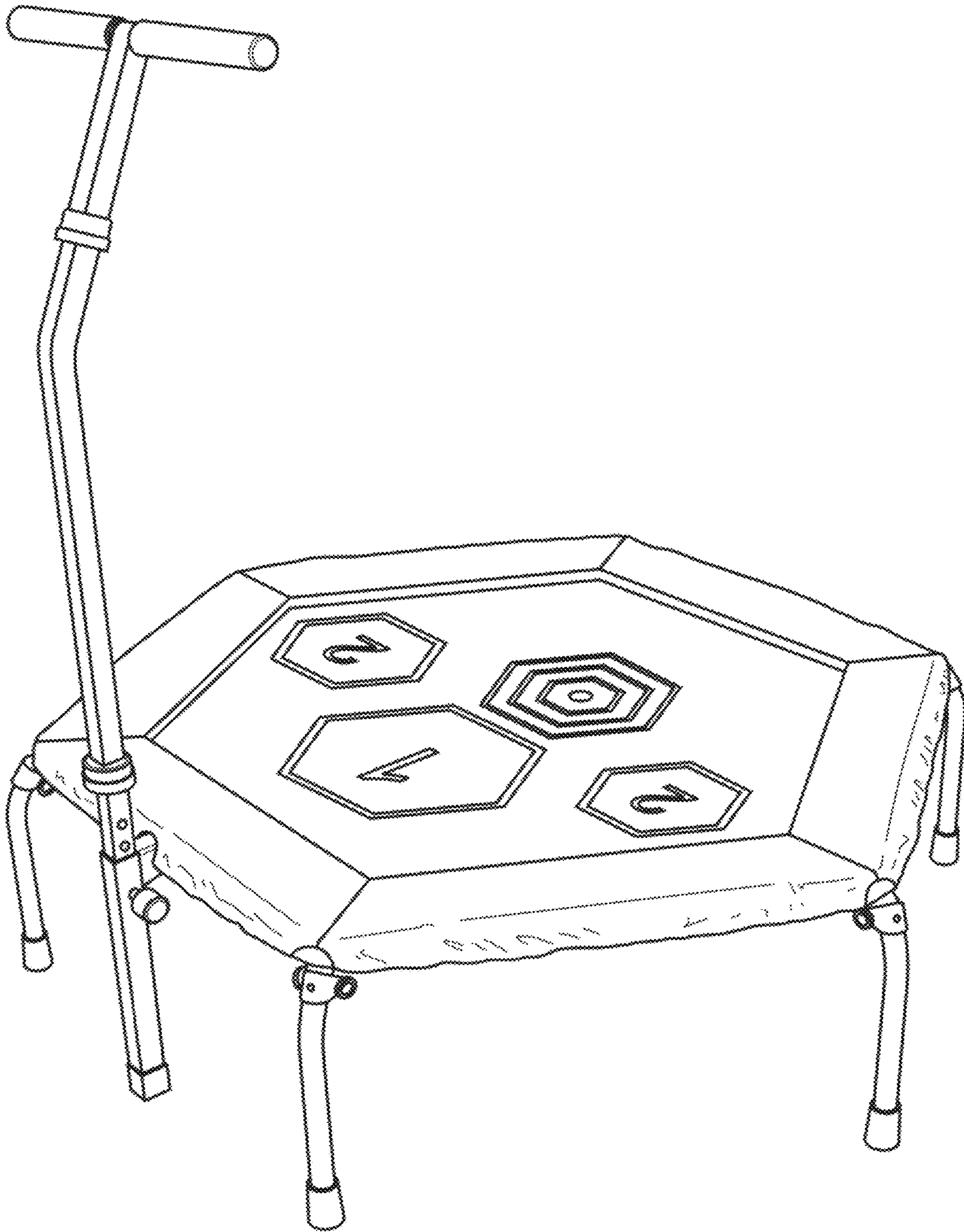
4.7



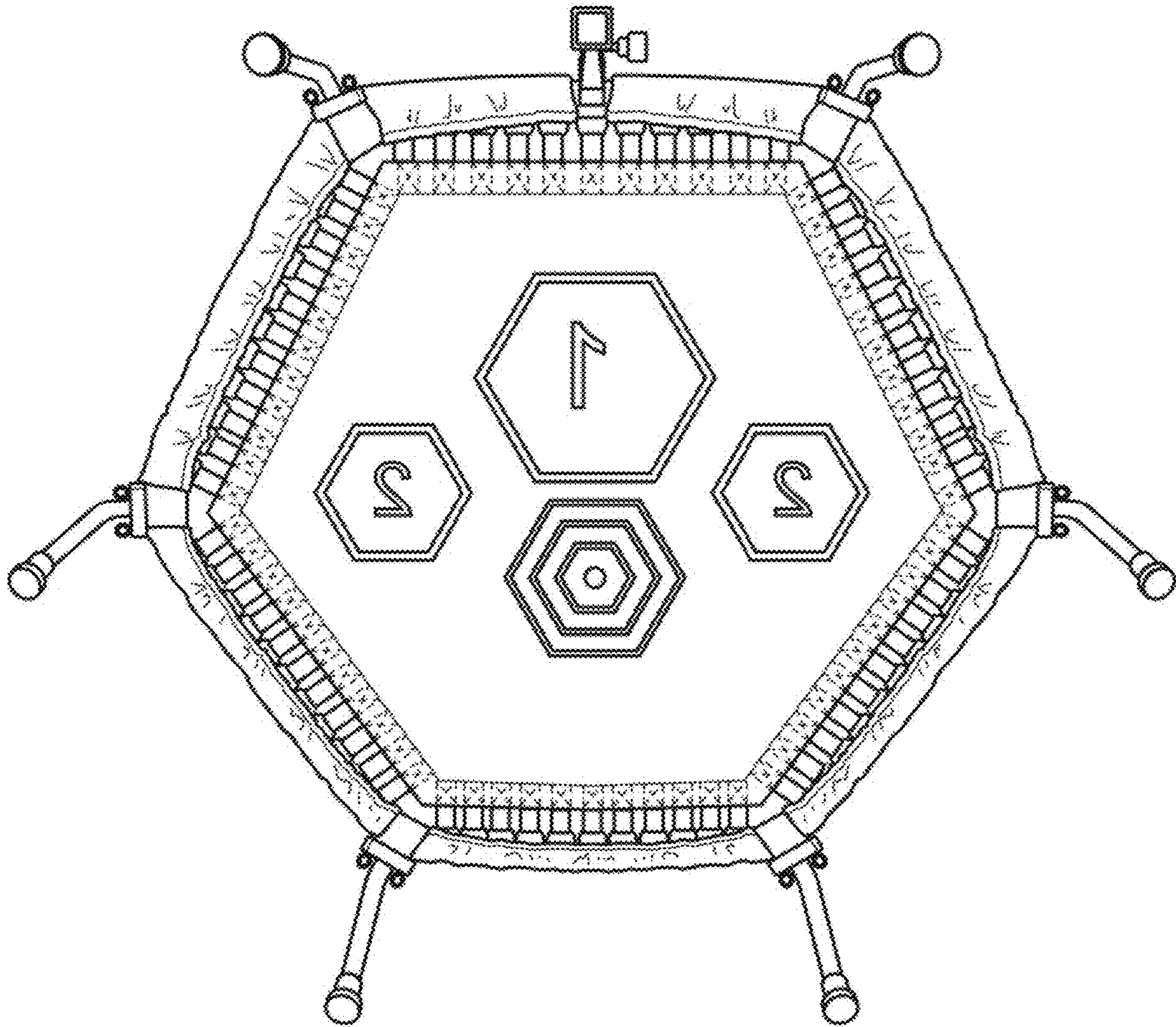
5.1



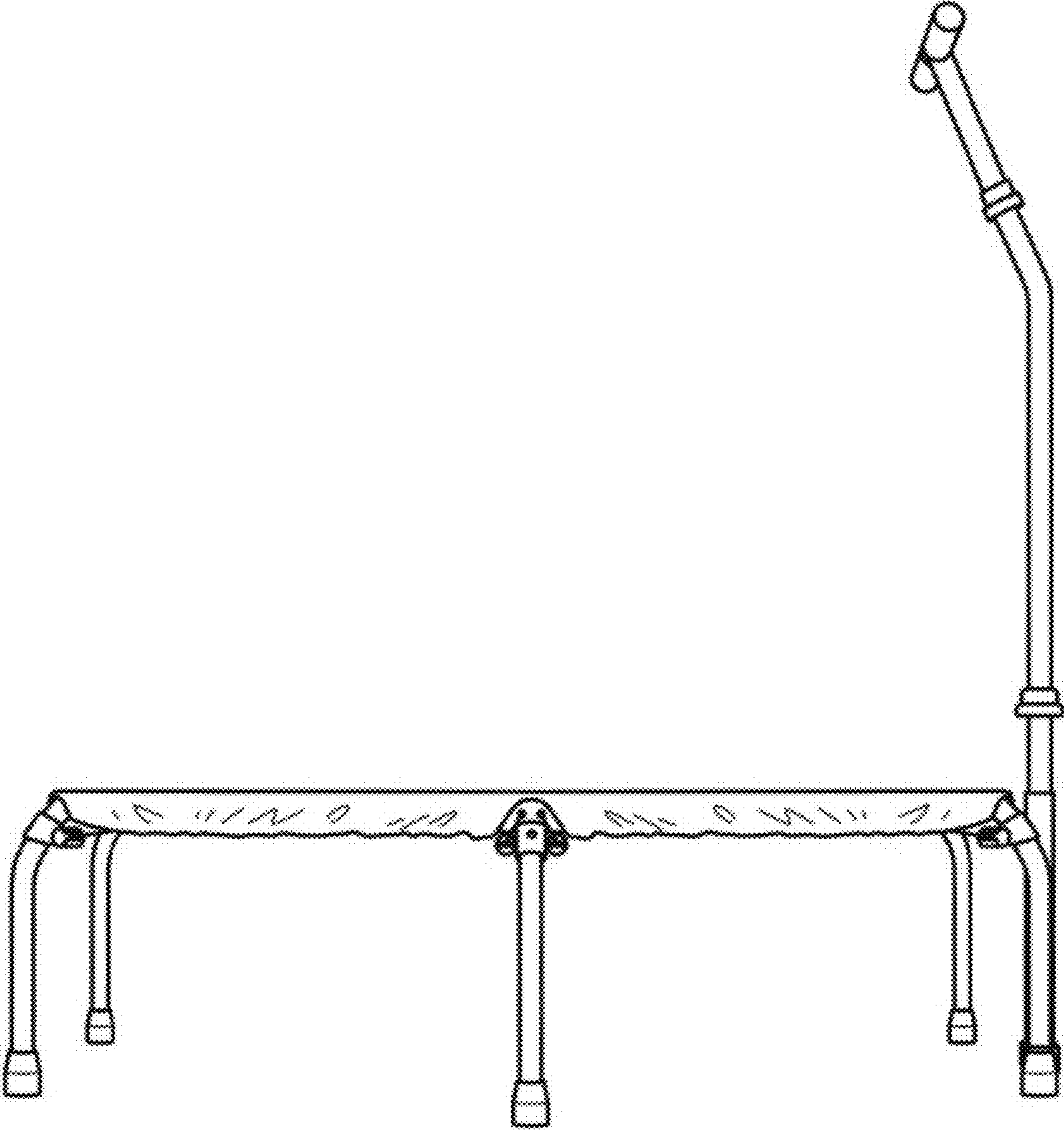
5.2



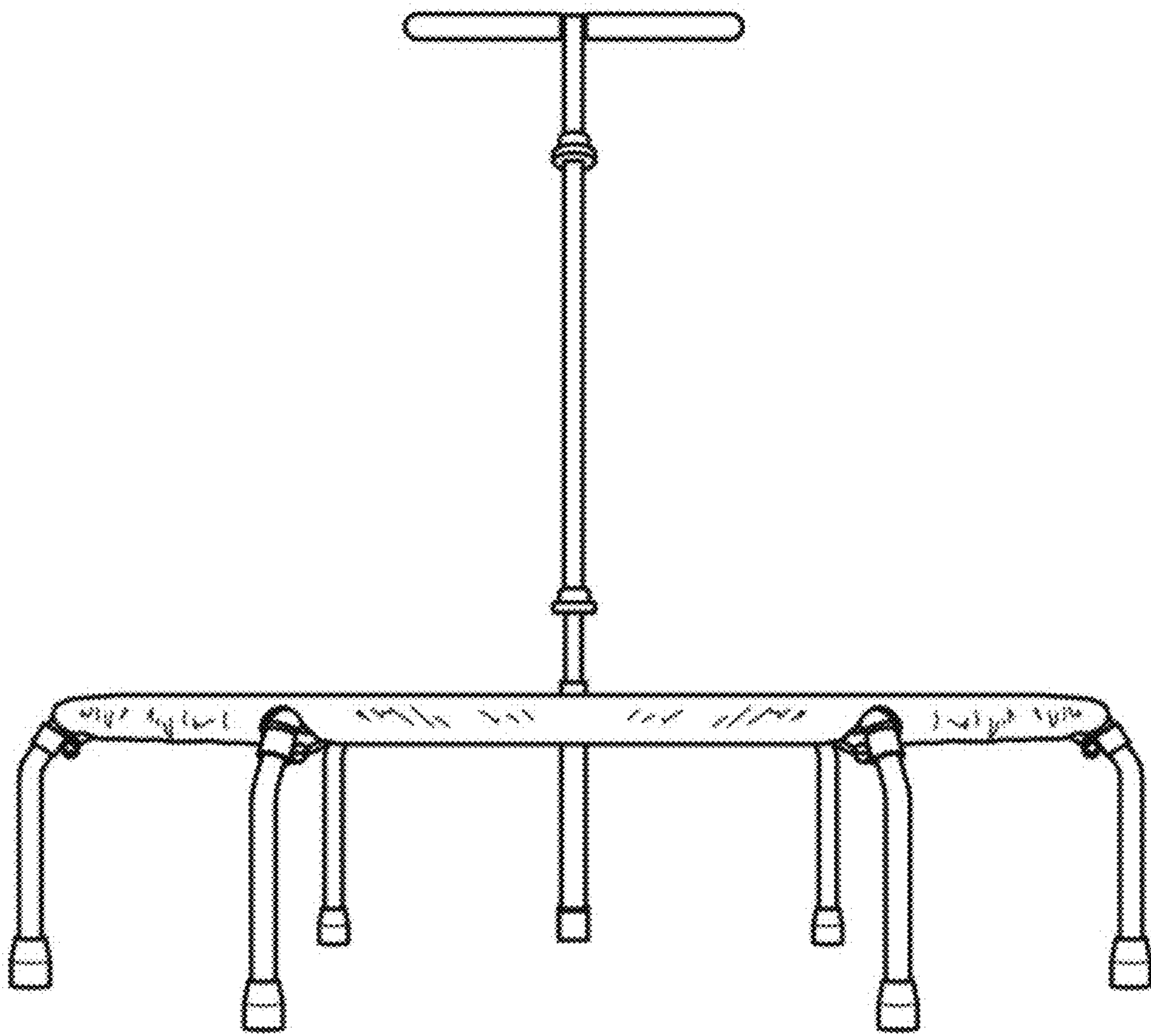
5.3



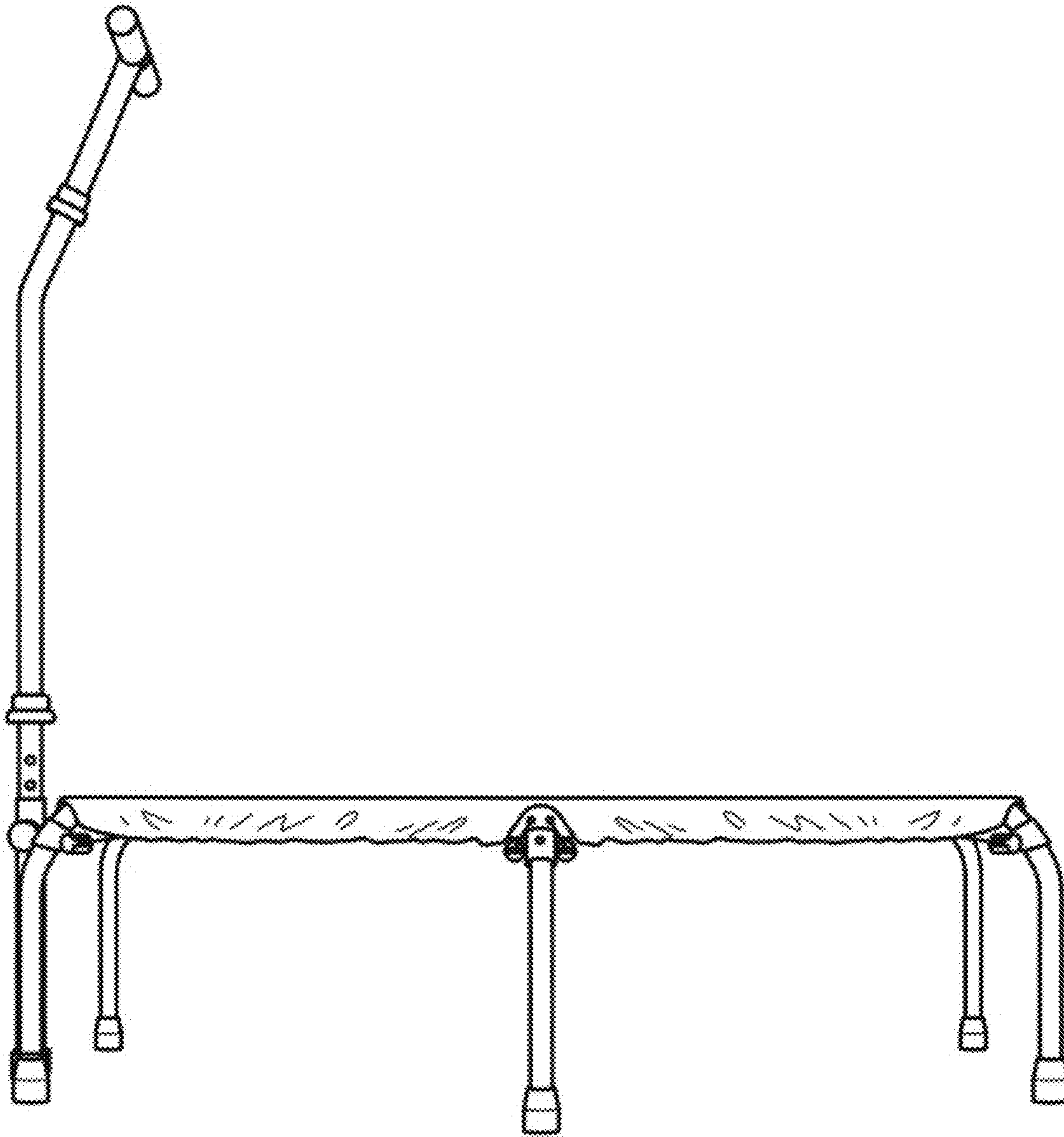
5.4



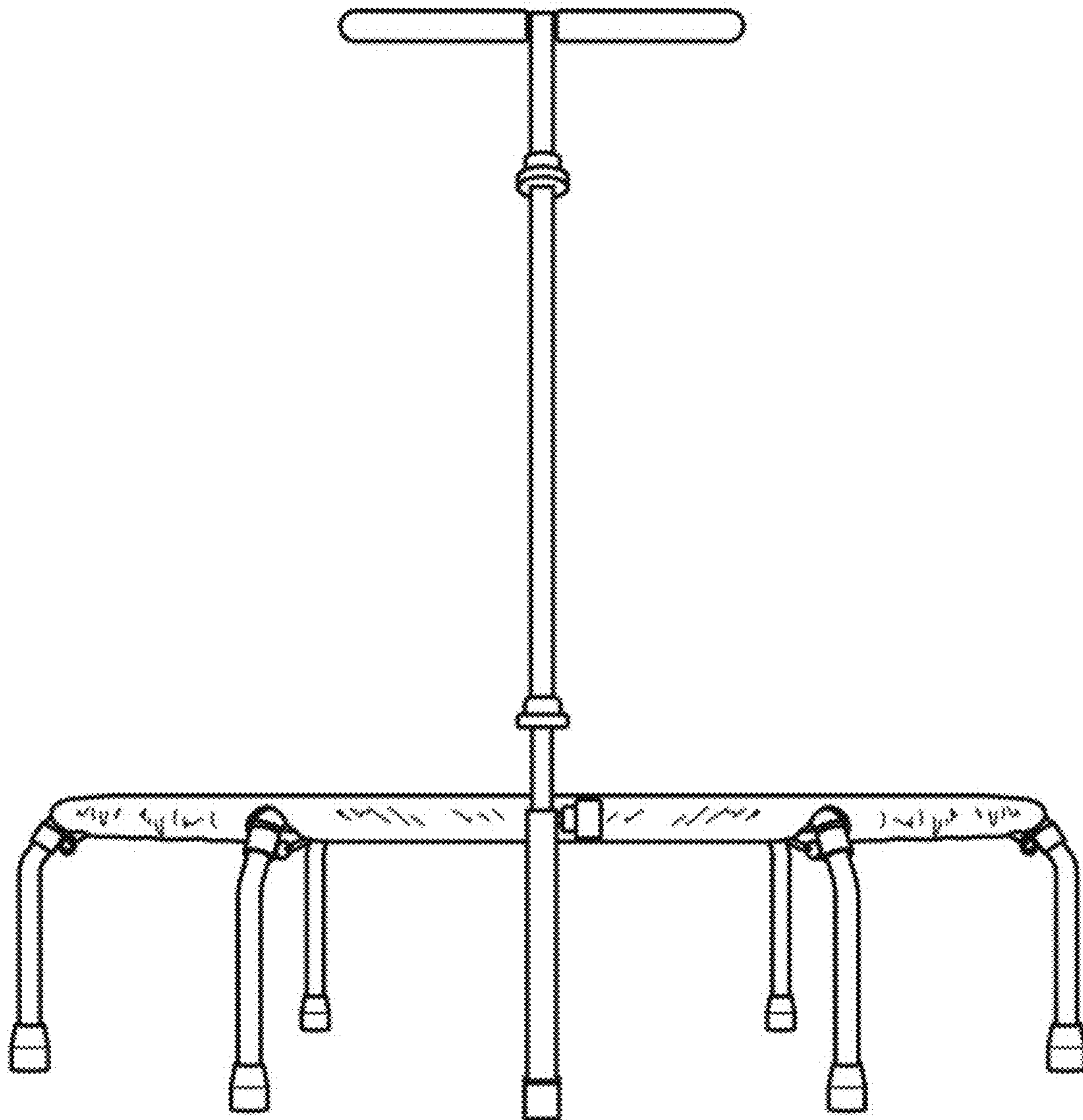
5.5



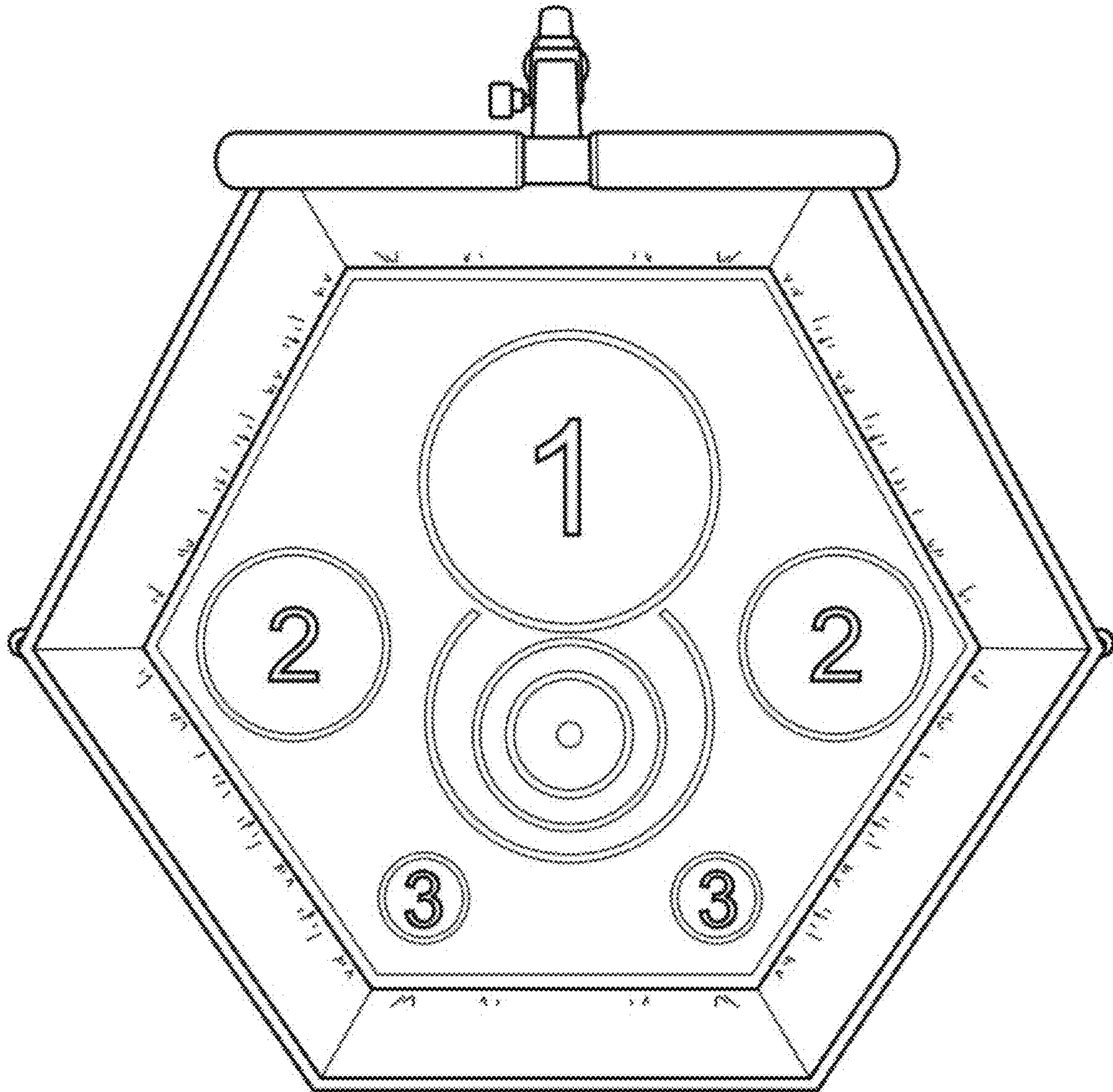
5.6

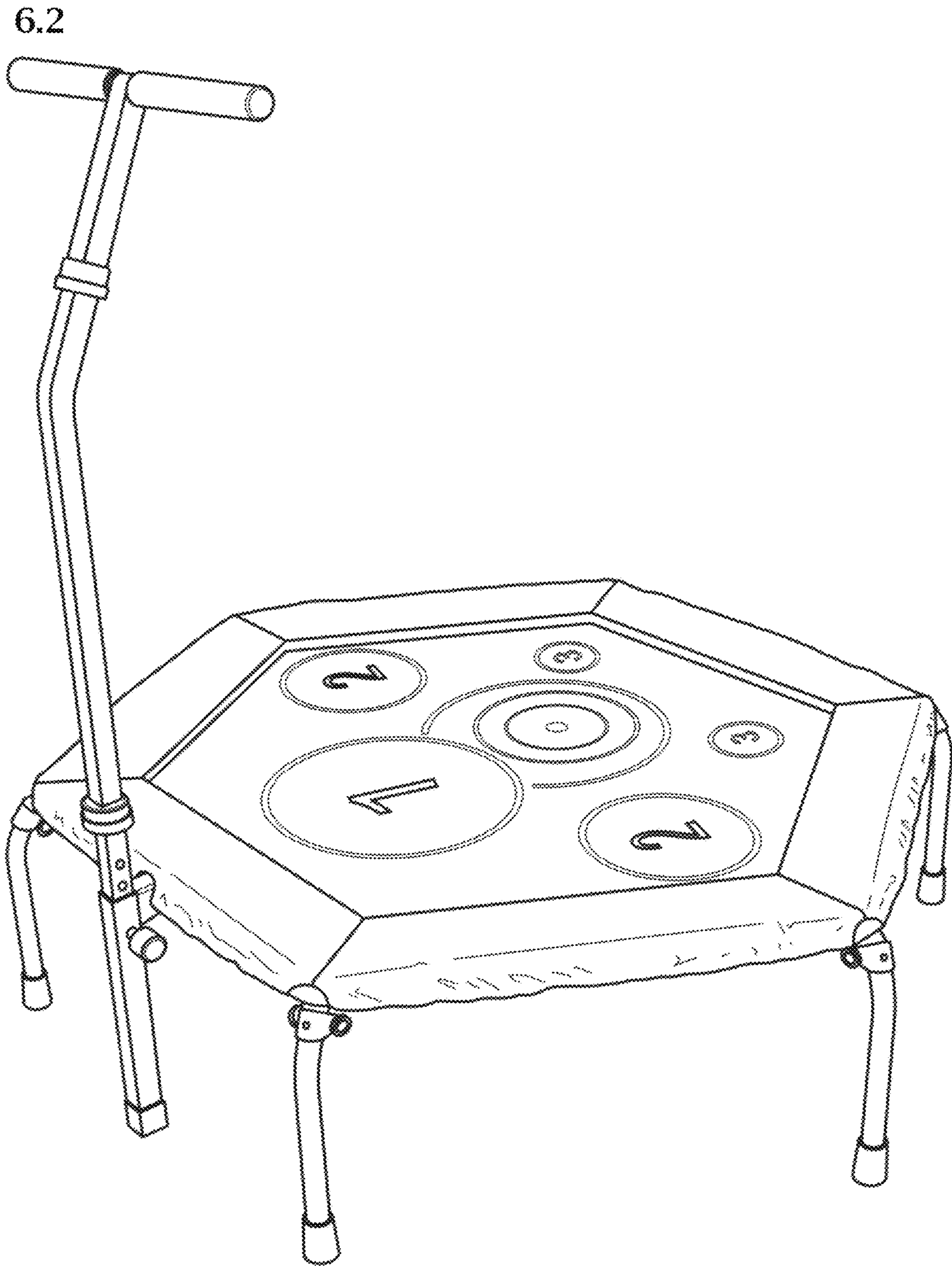


5.7

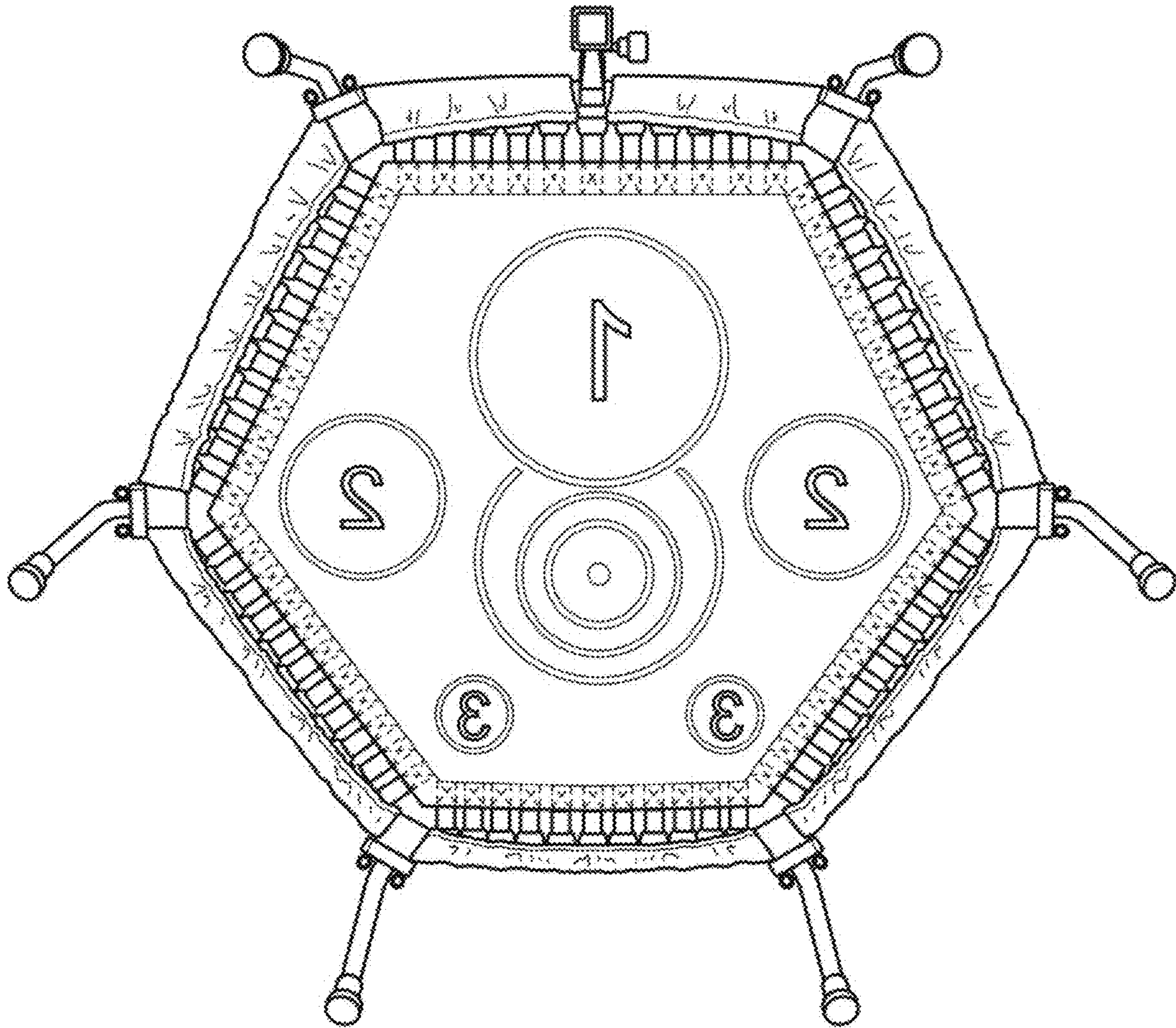


6.1

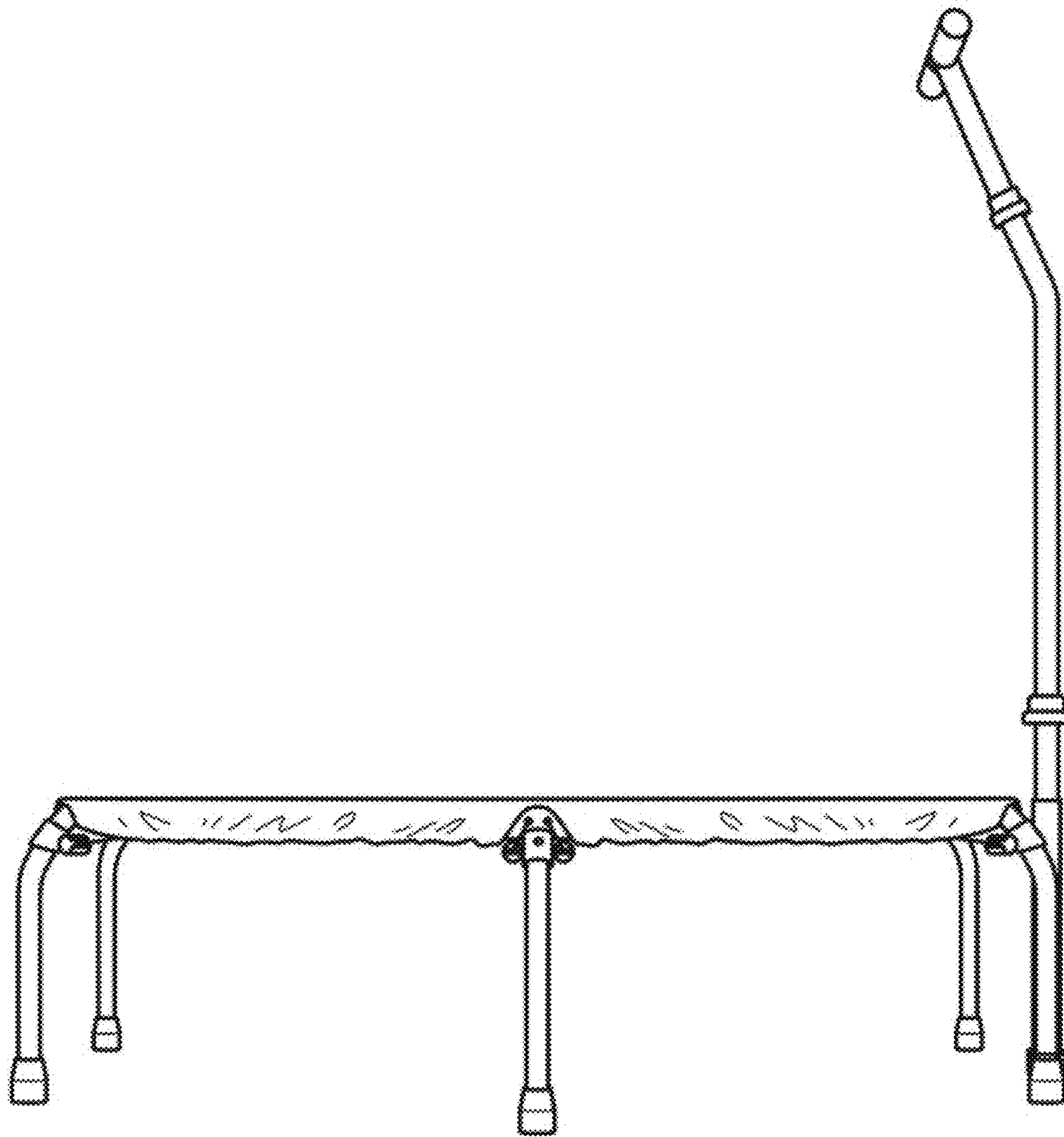




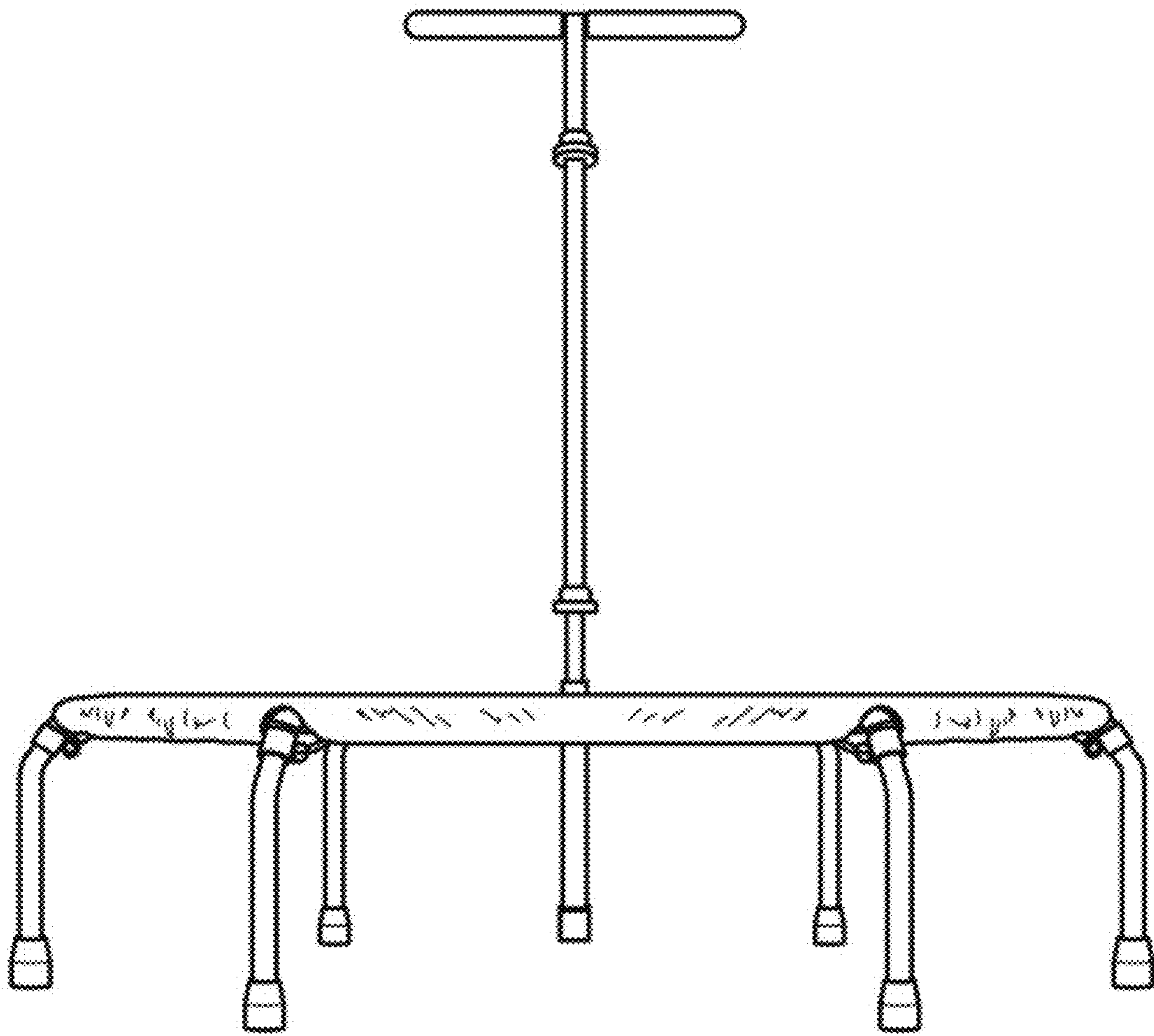
6.3



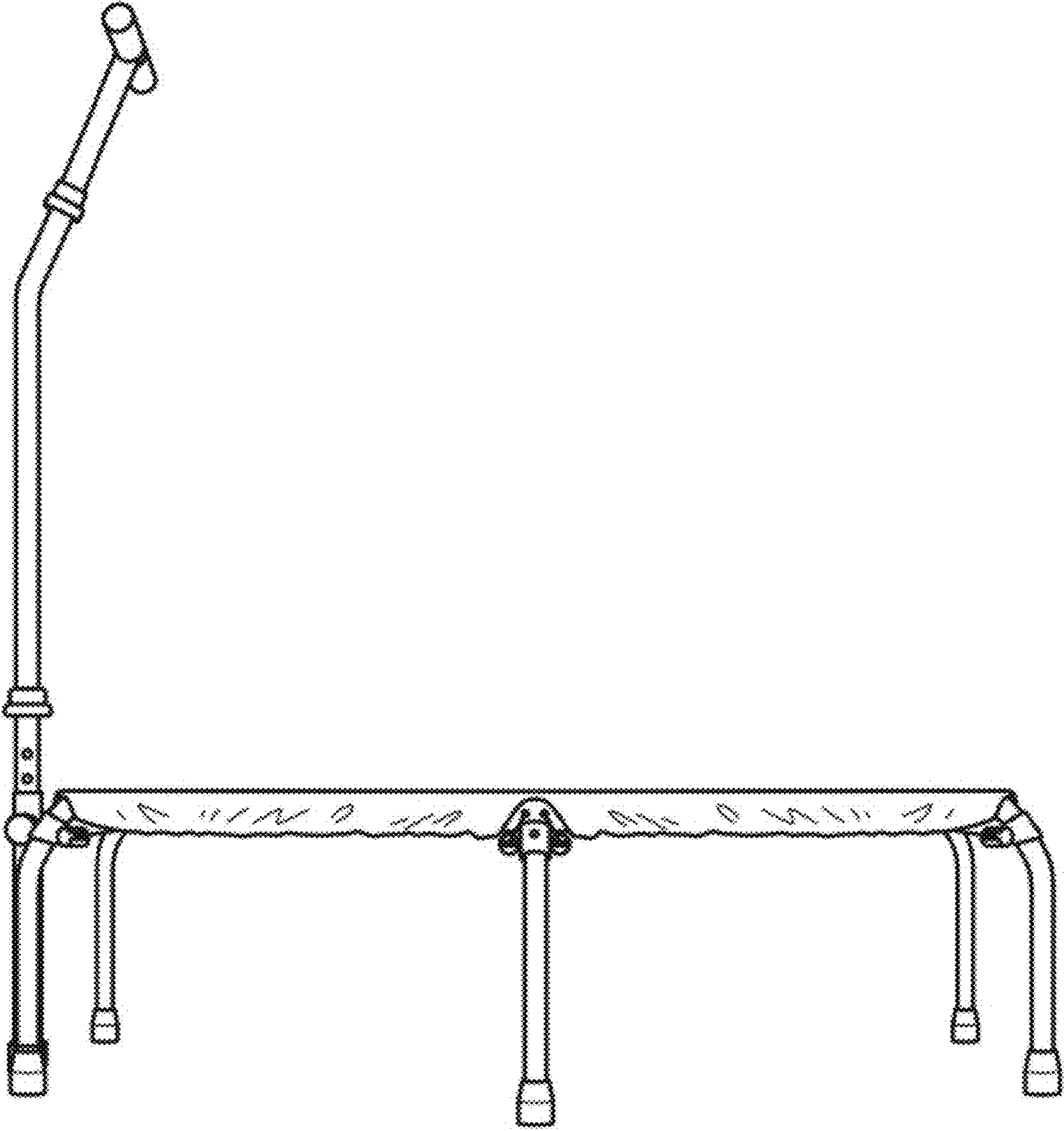
6.4



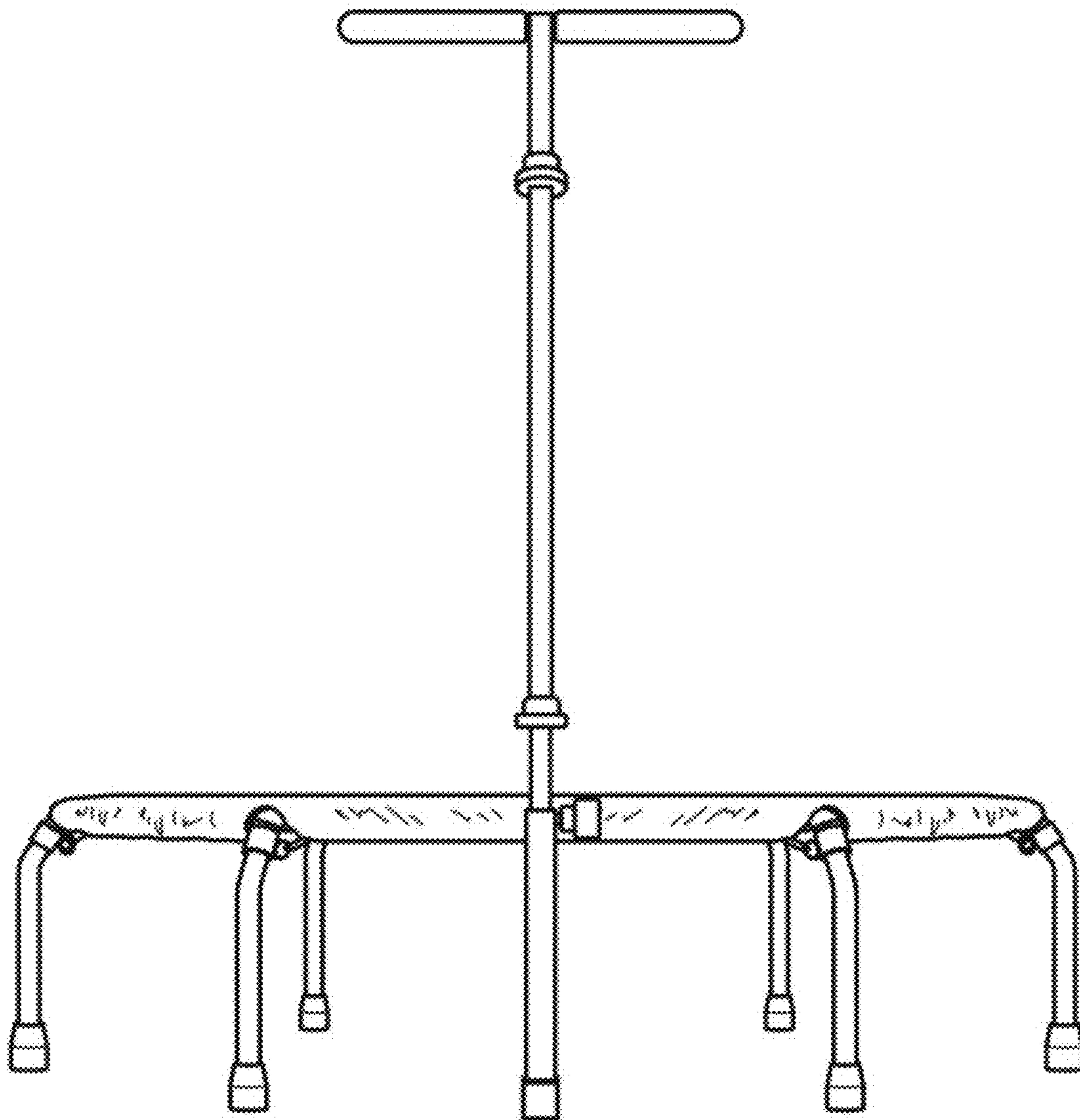
6.5



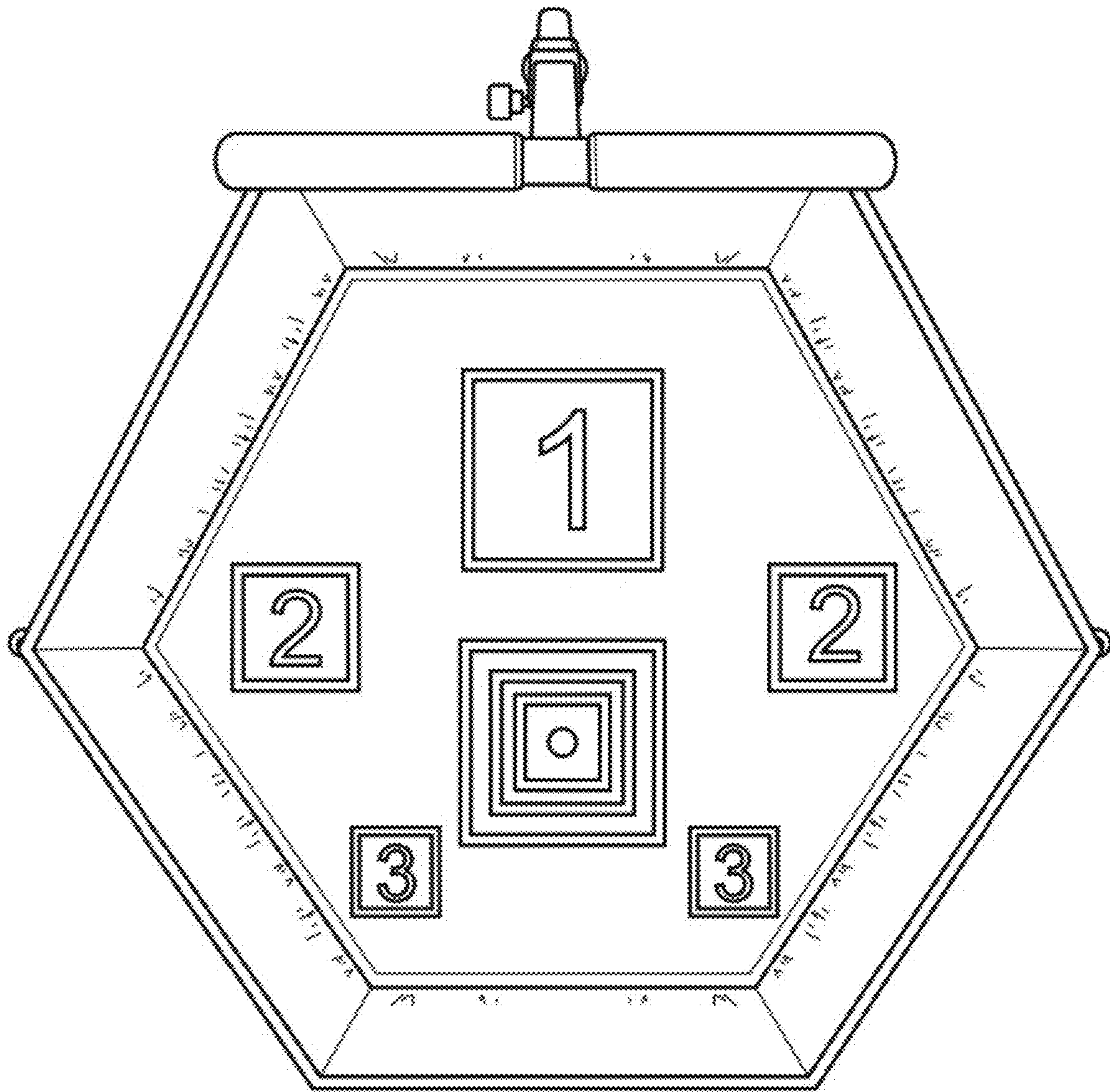
6.6



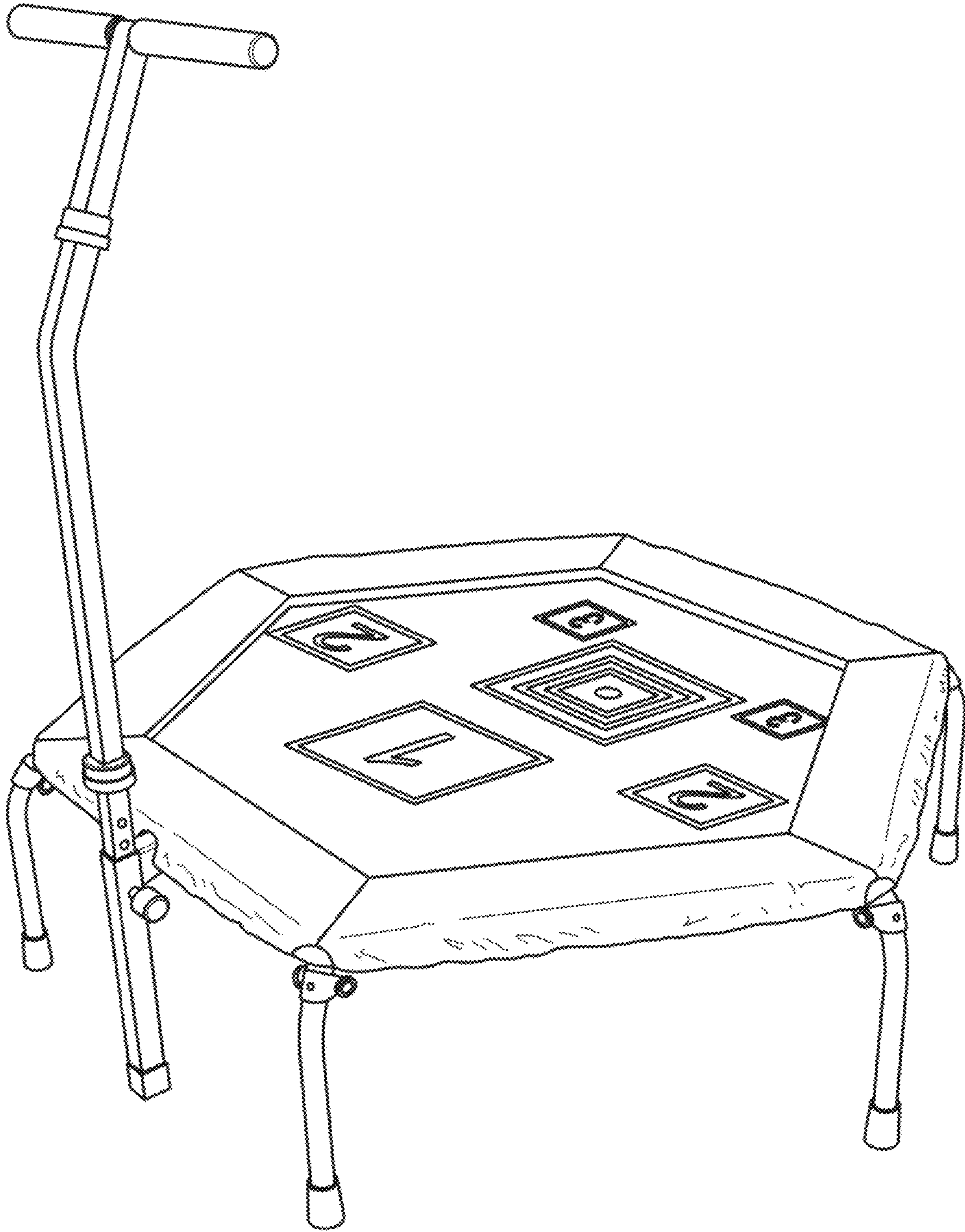
6.7



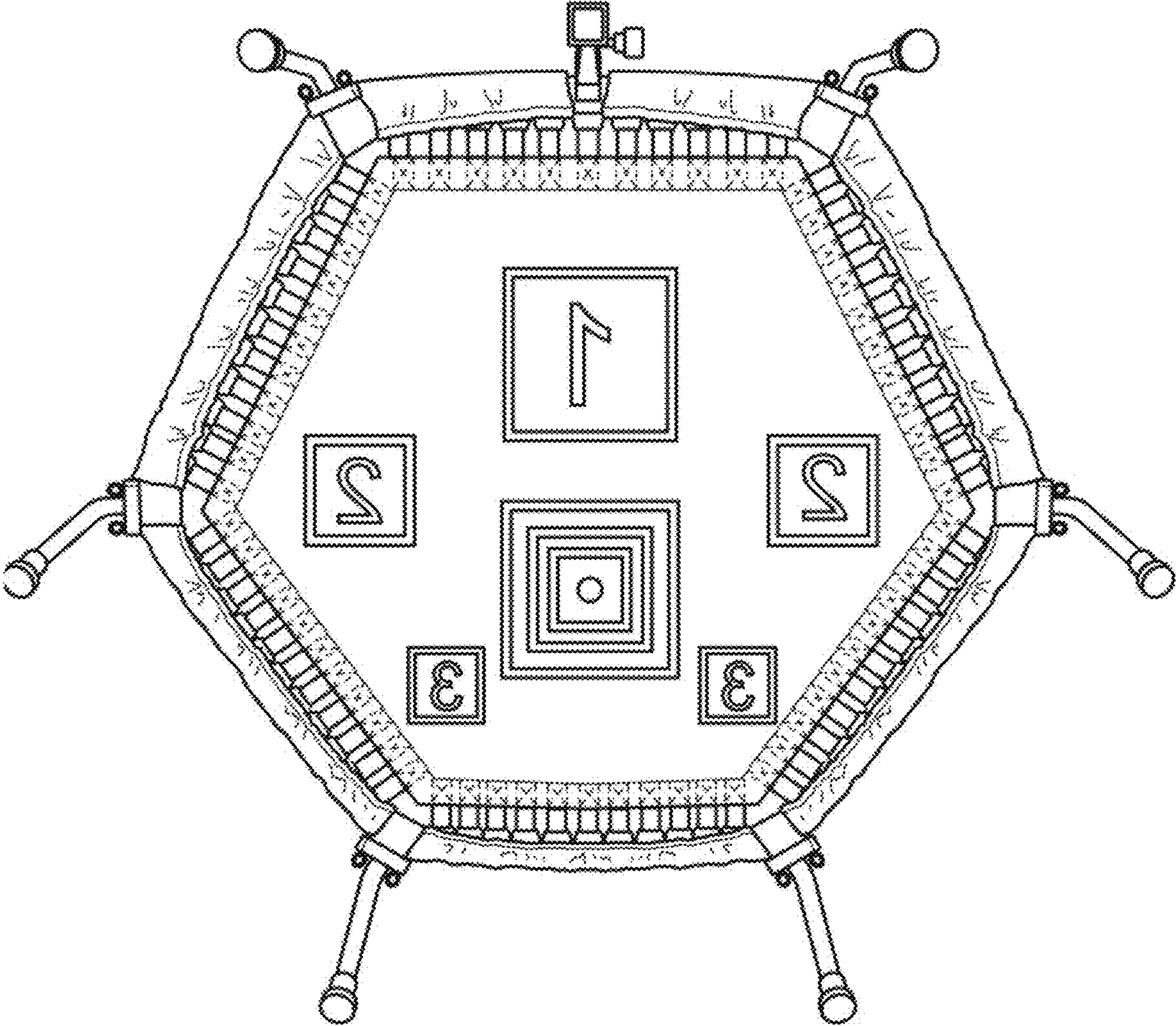
7.1



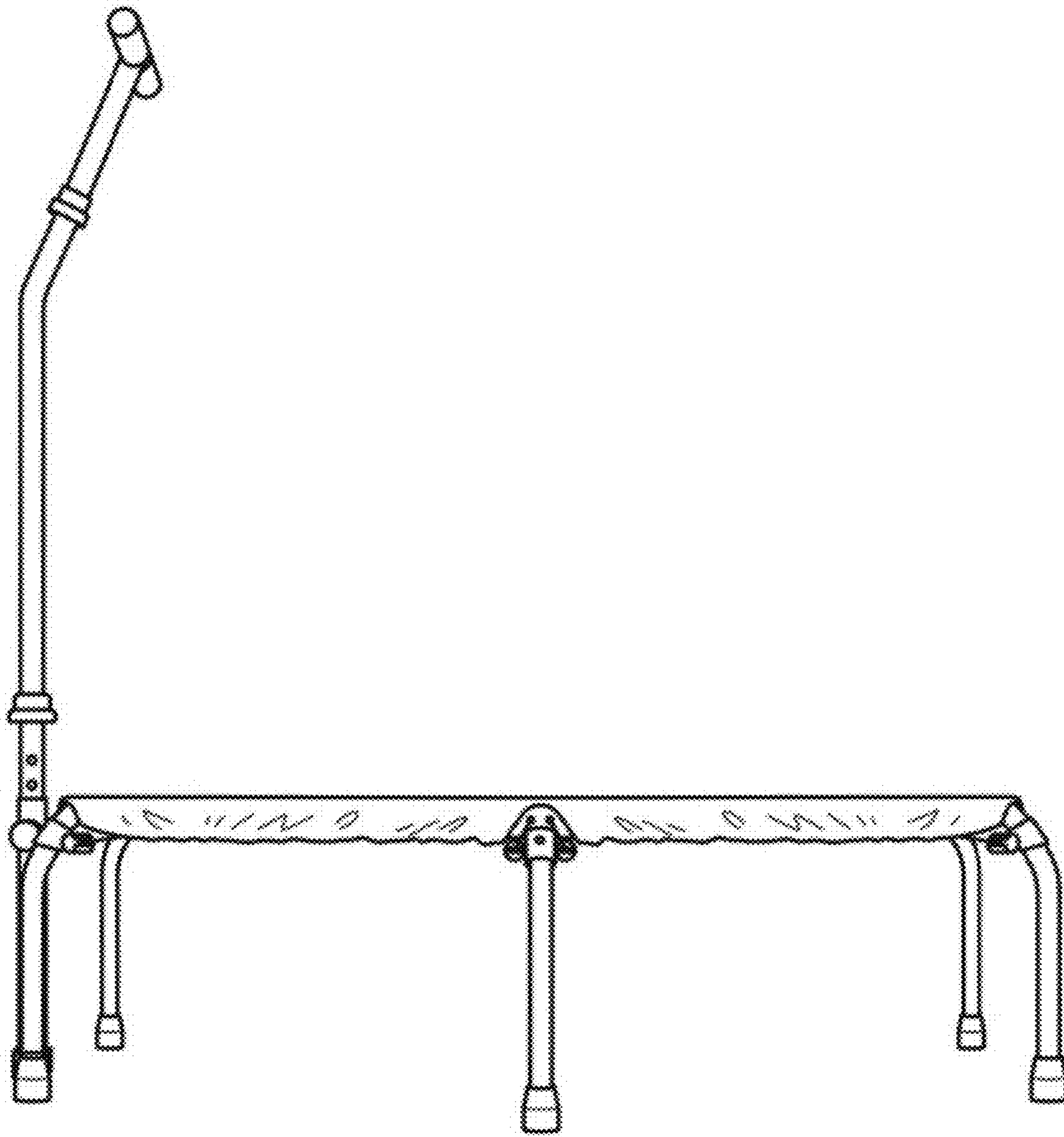
7.2



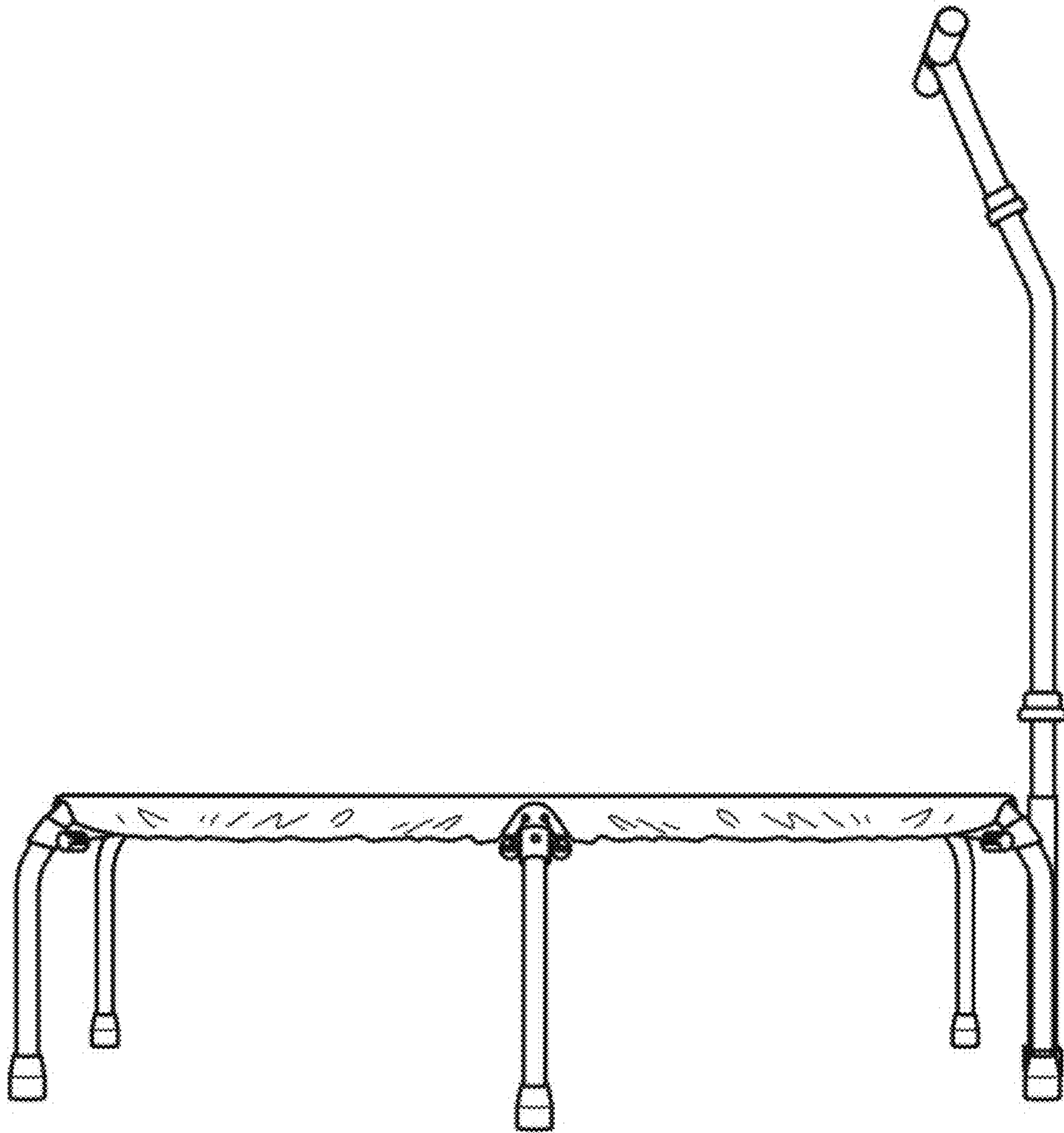
7.3



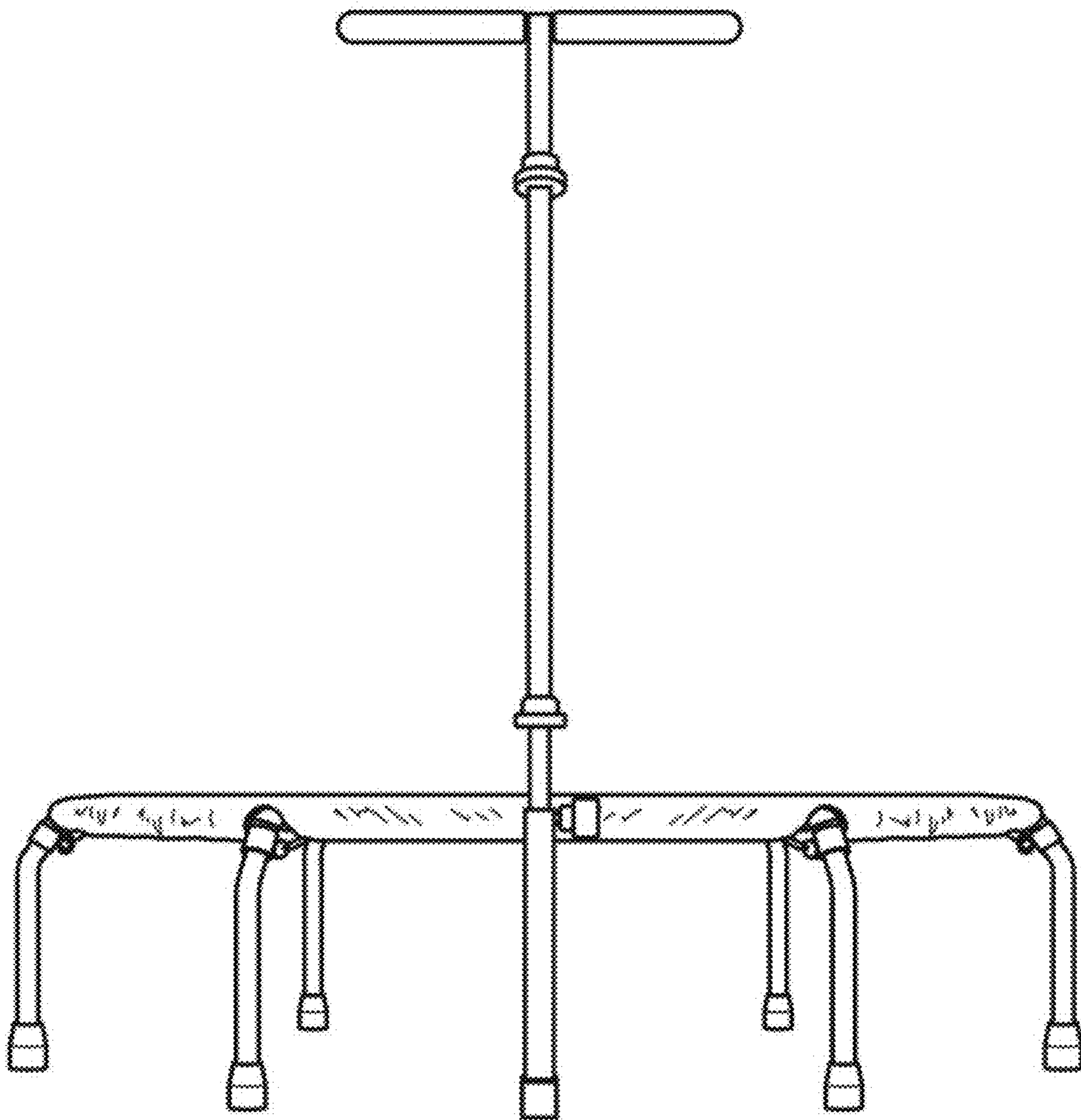
7.4



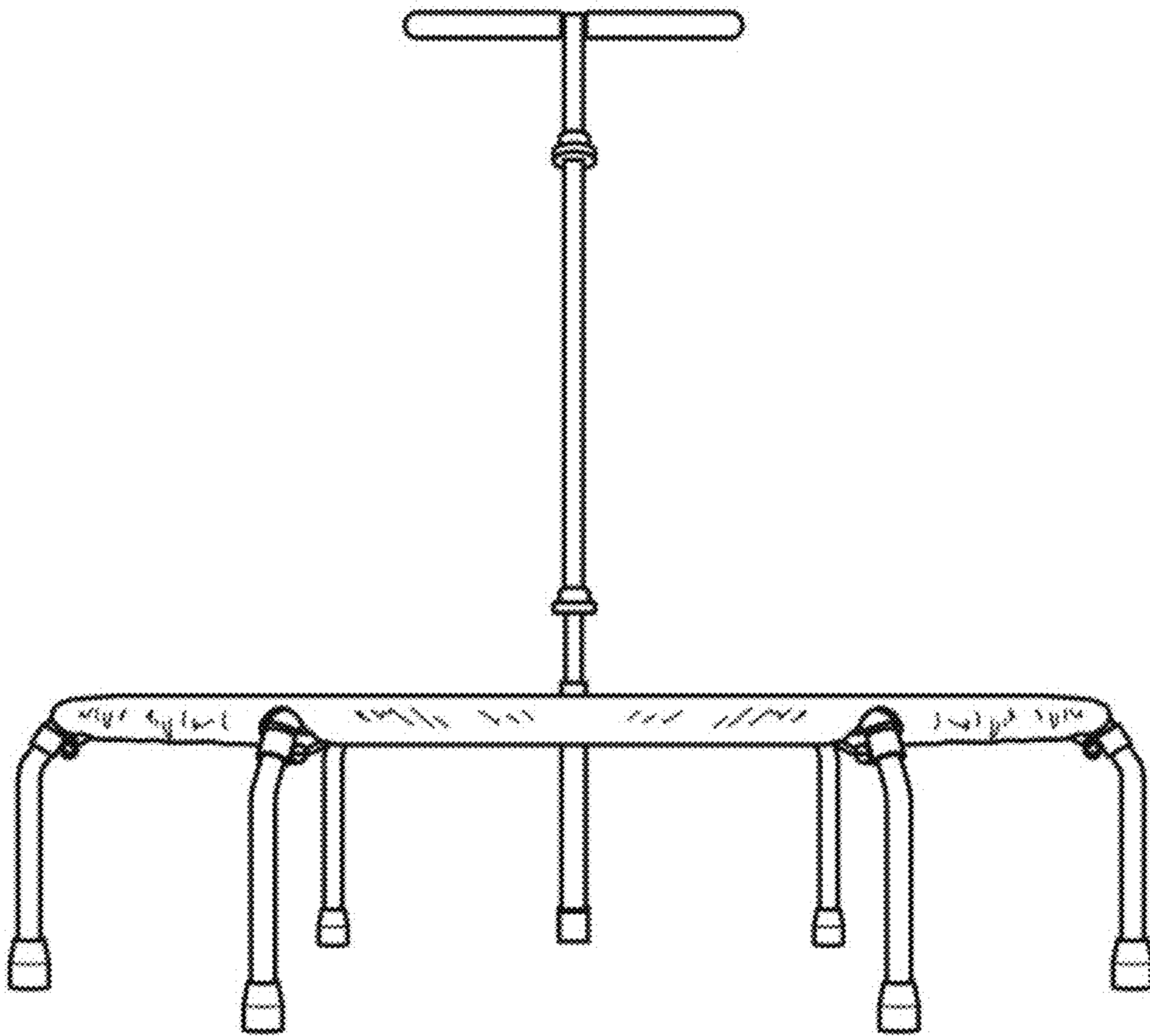
7.5



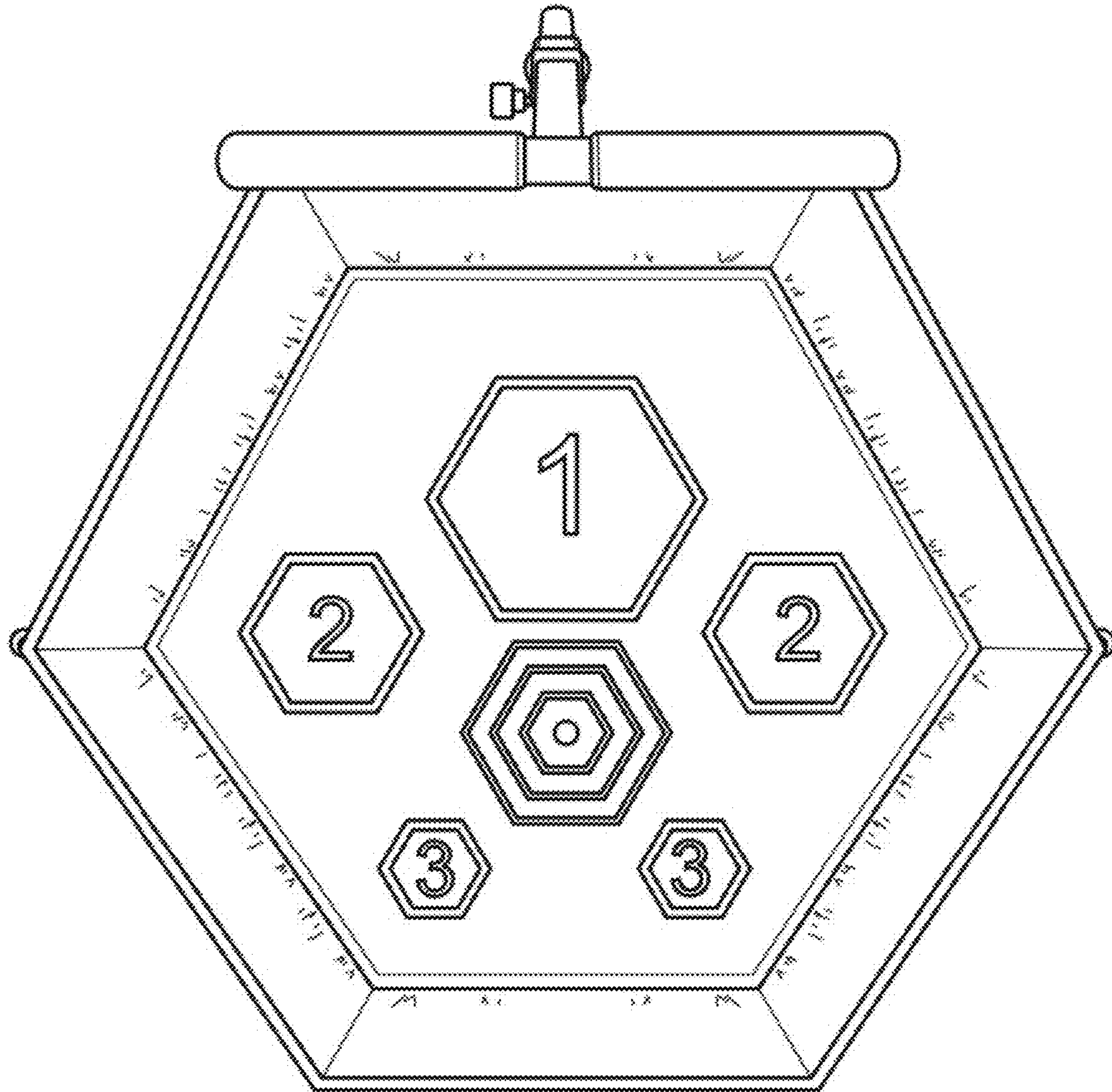
7.6



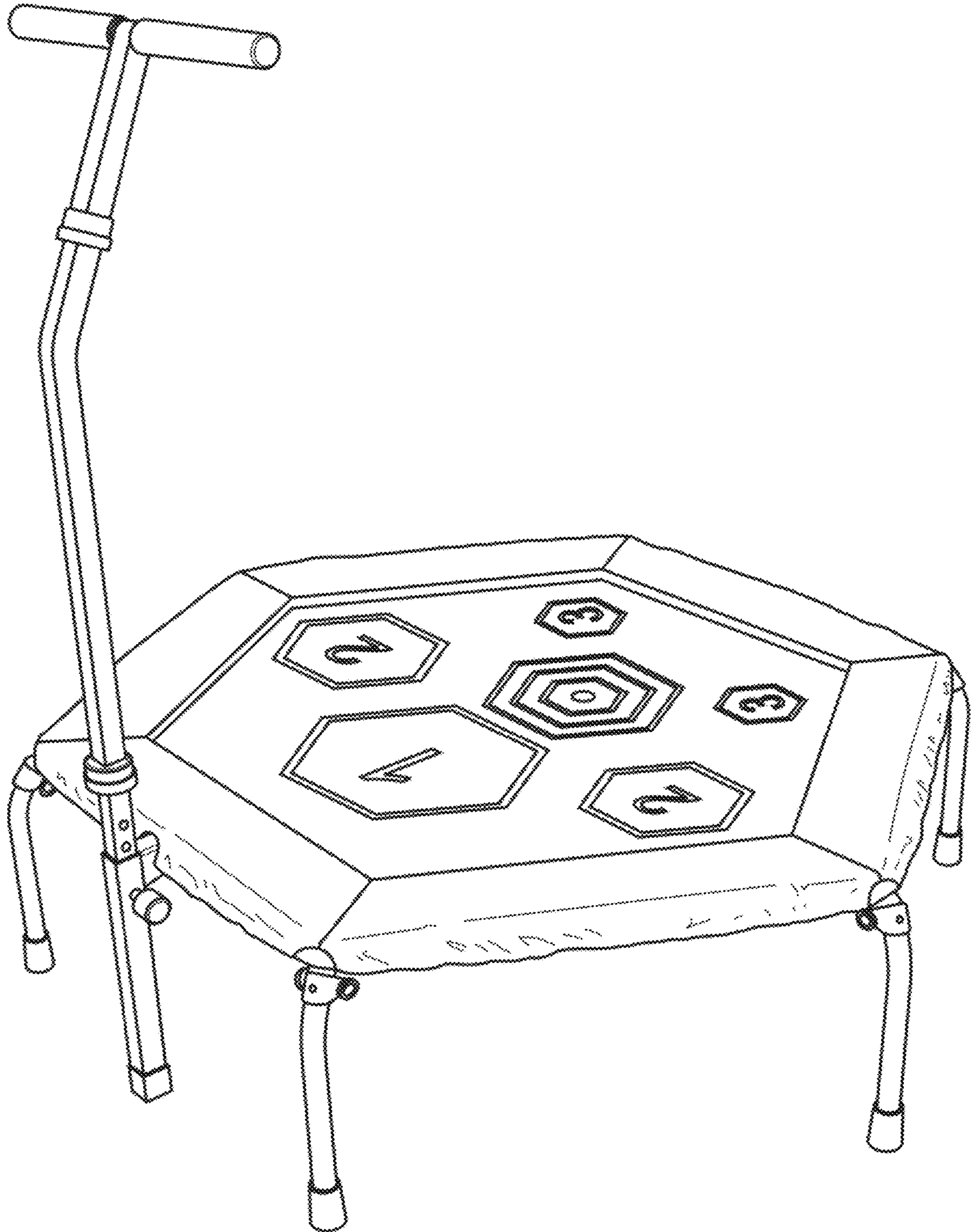
7.7



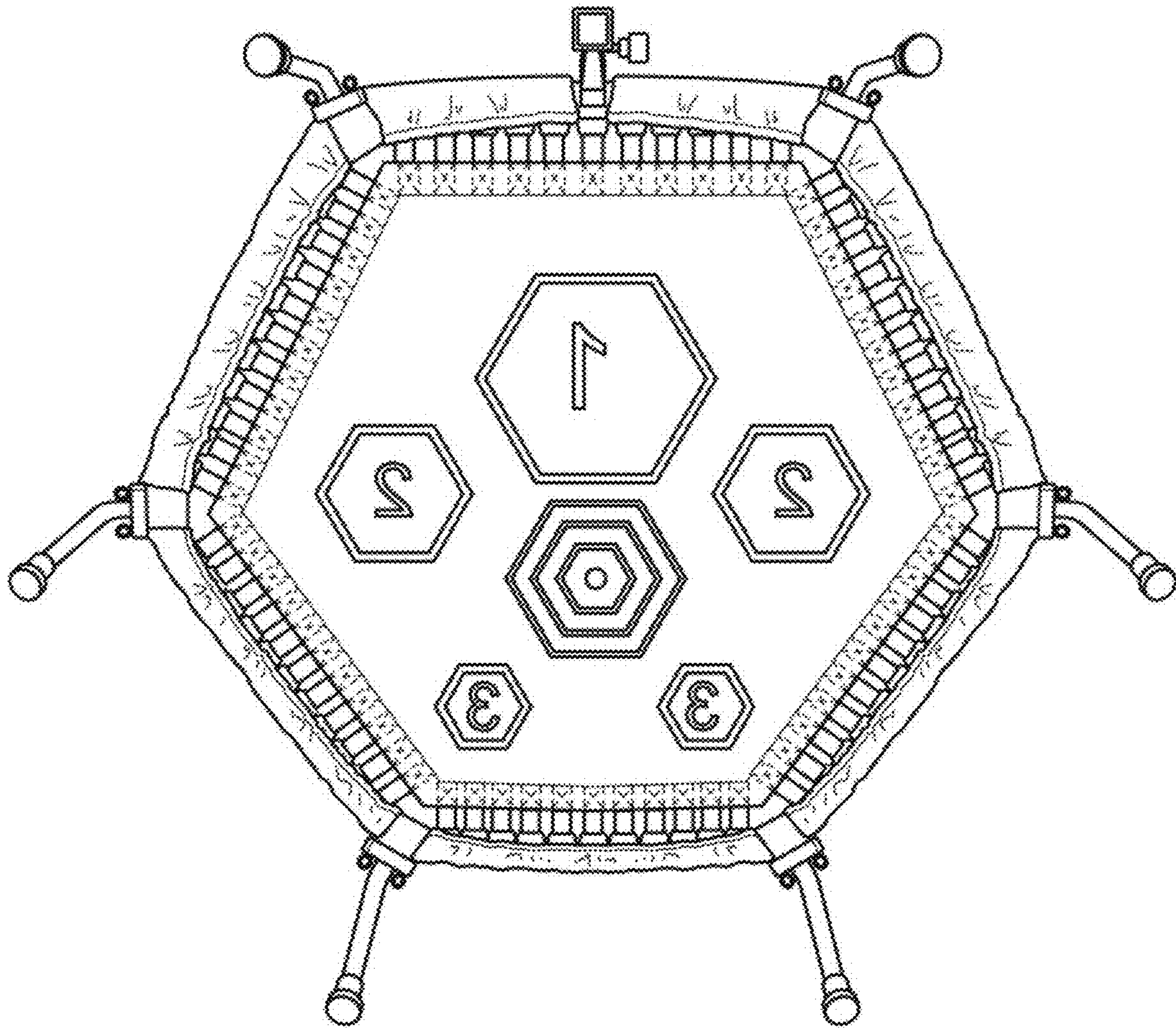
8.1



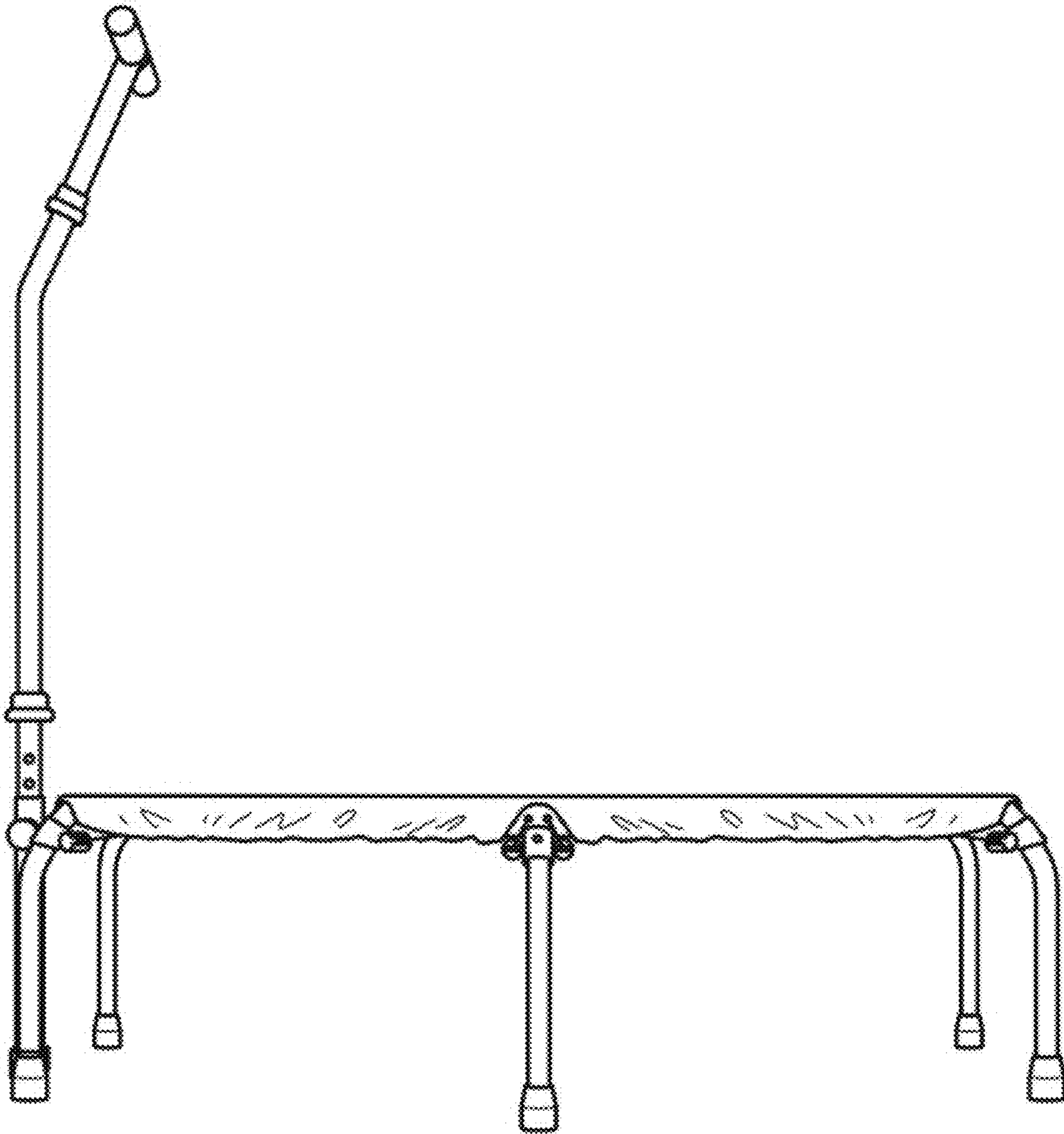
8.2



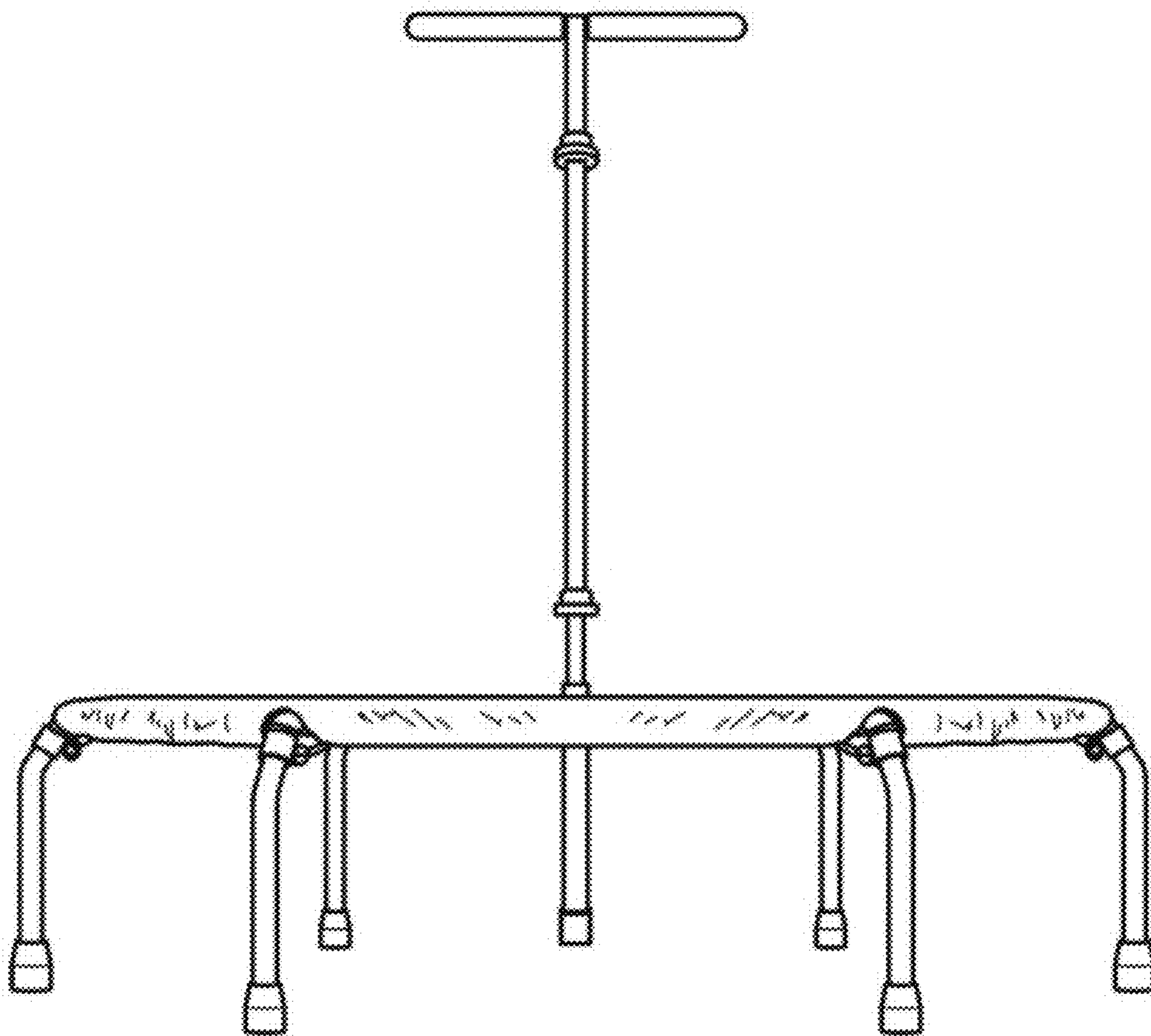
8.3



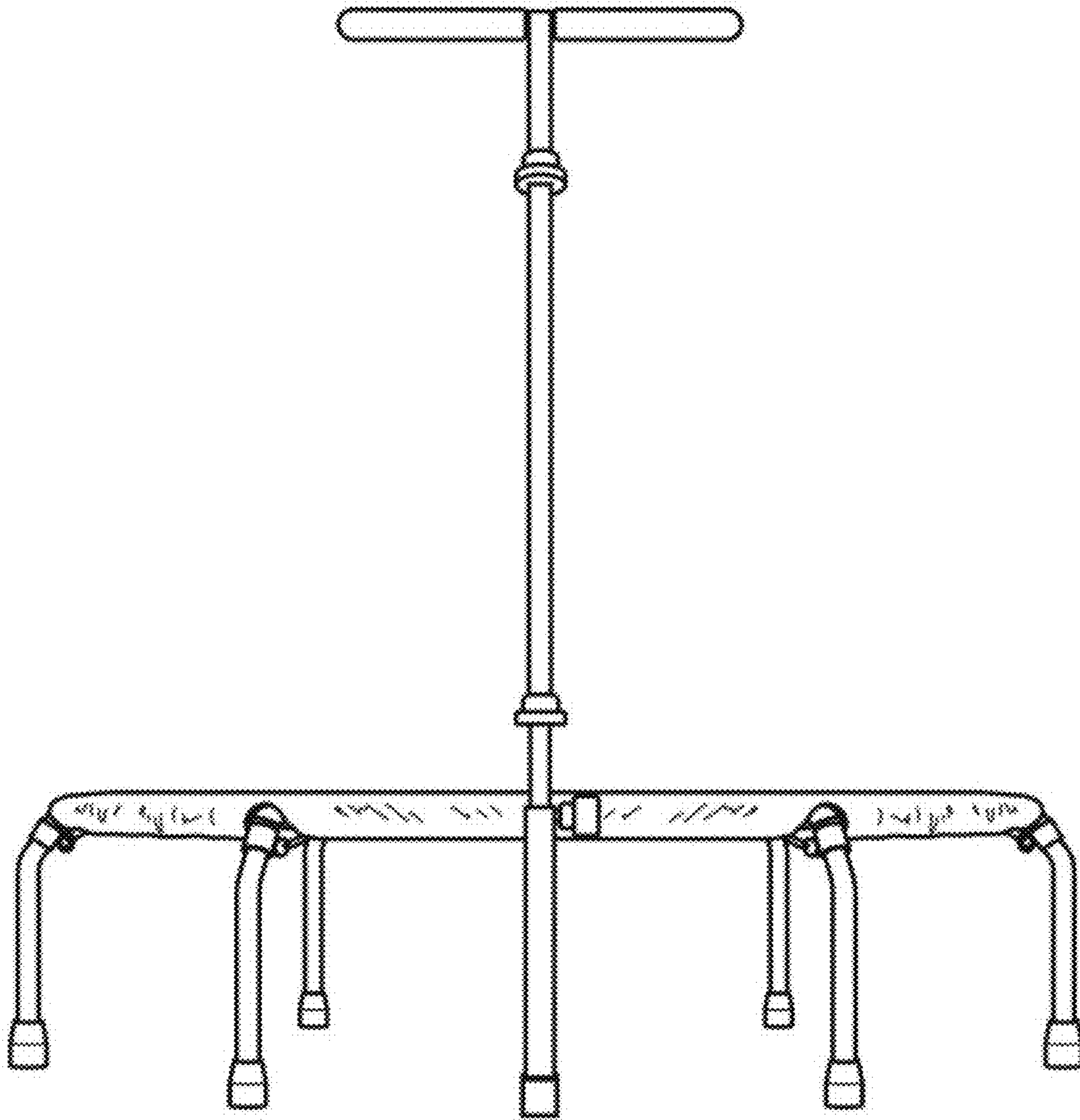
8.4



8.5



8.6



8.7

