



US00D853504S

(12) **United States Design Patent** (10) **Patent No.:** **US D853,504 S**
Mercenari Uribe (45) **Date of Patent:** **** Jul. 9, 2019**

(54) **FOLDING EXERCISER CLIMBING MACHINE**

(71) Applicant: **Fernando Humberto Mercenari Uribe**, Mexico City (MX)

(72) Inventor: **Fernando Humberto Mercenari Uribe**, Mexico City (MX)

(**) Term: **15 Years**

(21) Appl. No.: **29/614,394**

(22) Filed: **Aug. 18, 2017**

(30) **Foreign Application Priority Data**

Feb. 20, 2017 (MX) MX/F/2017/000531

(51) **LOC (11) Cl.** **21-02**

(52) **U.S. Cl.**
USPC **D21/670**

(58) **Field of Classification Search**
USPC 482/70, 51, 53, 54, 140, 142, 123, 121, 482/122, 129, 130, 96, 52, 57, 907, 126,
(Continued)

(56) **References Cited**

U.S. PATENT DOCUMENTS

3,381,958 A * 5/1968 Gulland A63B 22/001
482/37

D233,160 S 10/1974 Jouk
(Continued)

OTHER PUBLICATIONS

Amazon "Eshion Folding Magnetic Upright Exercise Bike with LCD Monitor and Magnetic Flywheel"; https://www.amazon.com/dp/B01N6GOSKS/ref=cm_cr_ryp_prd_ttl_sol.0. Jul. 28, 2017. shown in p. 1, Item # B01N6GOSKS.

Primary Examiner — Philip S Hyder

Assistant Examiner — Ryan Harvey

(74) *Attorney, Agent, or Firm* — The Webb Law Firm

(57) **CLAIM**

The ornamental design for a folding exercise climbing machine, as shown and described.

DESCRIPTION

FIG. 1 is a front perspective view of a folding exercise climbing machine showing my new design, in a first position, with the handles in a first position;
FIG. 2 is a front elevation view thereof, in the first position, with the handles in the first position;
FIG. 3 is a rear elevation view thereof, in the first position, with the handles in the first position;
FIG. 4 is a right side elevation view thereof, in the first position, with the handles in the first position;
FIG. 5 is a left side elevation view thereof, in the first position, with the handles in the first position;
FIG. 6 is a top view thereof, in the first position, with the handles in the first position;
FIG. 7 is a bottom view thereof, in the first position, with the handles in the first position;
FIG. 8 is a rear perspective view thereof, in the first position, with the handles in the first position;
FIG. 9 is a front perspective view thereof in a folded configuration, with the handles in a second position;
FIG. 10 is a front elevation view thereof in a folded configuration, with the handles in the second position;
FIG. 11 is a rear elevation view thereof in a folded configuration, with the handles in the second position;
FIG. 12 is a right side elevation view thereof in a folded configuration, with the handles in the second position;
FIG. 13 is a left side elevation view thereof in a folded configuration, with the handles in the second position;
FIG. 14 is a top view thereof in a folded configuration, with the handles in the second position;
FIG. 15 is a bottom view thereof in a folded configuration, with the handles in the second position;
FIG. 16 is a rear perspective view thereof in a folded configuration, with the handles in the second position;
FIG. 17 is an enlarged perspective view of the handlebars of the folding exercise climbing machine in the first position;
and,

(Continued)

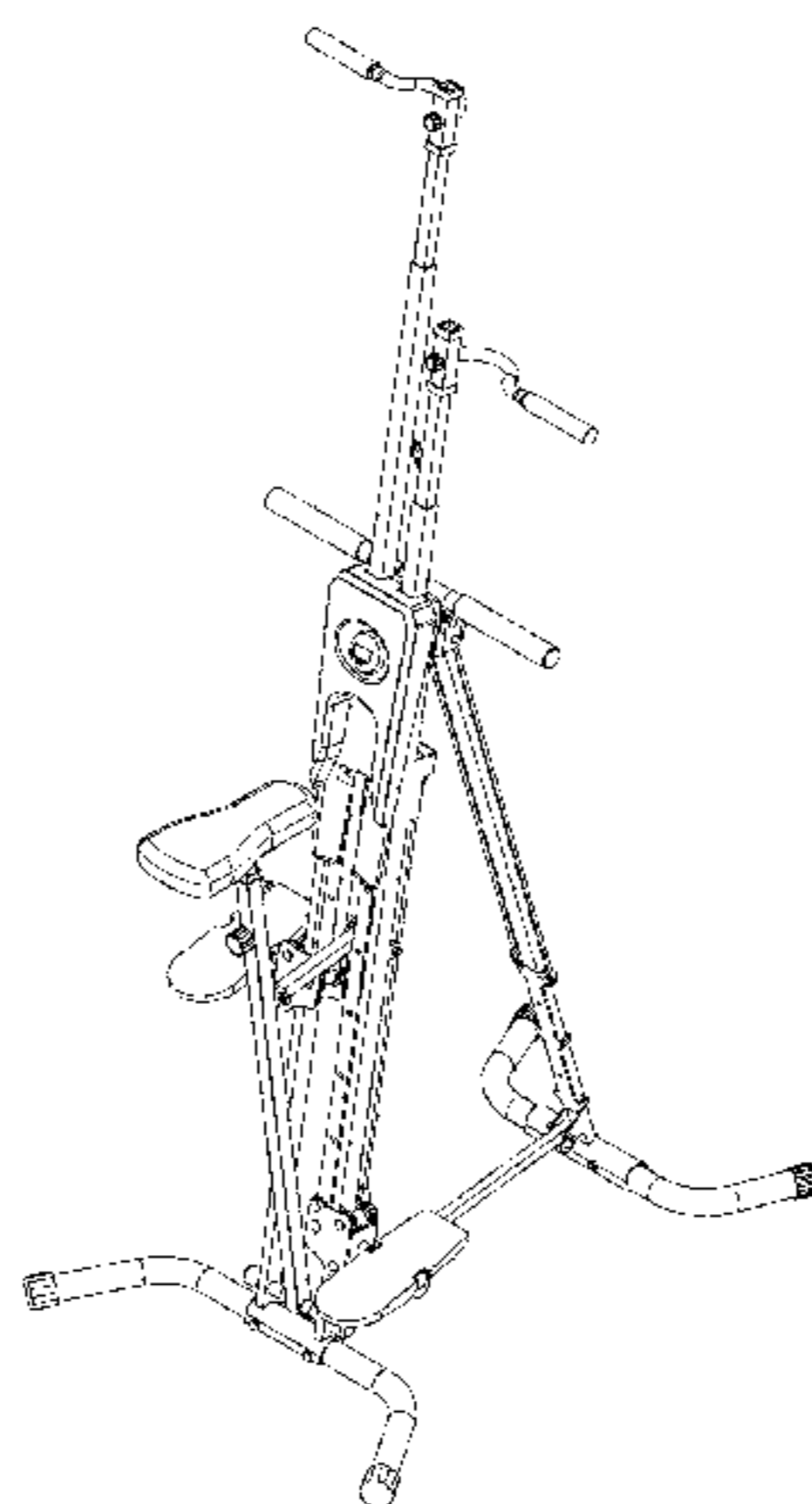


FIG. 18 is an enlarged perspective view of the handlebars in the second position.

1 Claim, 18 Drawing Sheets

(58) **Field of Classification Search**

USPC 482/131, 145, 144, 112, 134, 26, 27, 77, 482/125, 132, 92, 95, 91, 128, 68, 141; D21/687, 686, 669, 673, 690, 691, 694, D21/676, 674, 670, 663, 662, 423, 695, D21/688; 601/24, 49, 40, 29, 27, 5, 34
 CPC A63B 2208/0204; A63B 21/4047; A63B 21/0552; A63B 21/00069; A63B 22/0056; A63B 22/203; A63B 22/205
 See application file for complete search history.

(56) **References Cited**

U.S. PATENT DOCUMENTS

D263,490 S * 3/1982 Hickman D21/670
 4,496,147 A * 1/1985 DeCloux A63B 21/0083
 4,540,172 A * 9/1985 Evans A63B 21/018
 4,685,666 A * 8/1987 DeCloux A63B 21/0083
 D302,194 S * 7/1989 Charnitski D21/686
 4,958,830 A * 9/1990 Huggins A61H 1/0259
 4,982,952 A * 1/1991 Wang A63B 22/001
 5,000,441 A * 3/1991 Wang A63B 22/0002
 D315,937 S * 4/1991 Huggins D21/670
 5,007,631 A * 4/1991 Wang A63B 22/001
 5,040,785 A * 8/1991 Charnitski A63B 22/001
 D323,008 S * 1/1992 Wang D21/670
 5,090,690 A * 2/1992 Huang A63B 22/0002
 D326,695 S * 6/1992 Evans D21/670
 D329,478 S * 9/1992 Wang D21/670
 5,169,361 A * 12/1992 Hsu A63B 21/0083
 5,180,351 A * 1/1993 Ehrenfried A63B 21/154

5,199,932 A * 4/1993 Liao A63B 22/001
 5,222,927 A * 6/1993 Chang A63B 21/0552
 5,370,592 A * 12/1994 Wu A63B 21/0083
 D355,228 S * 2/1995 Hung D21/670
 D358,437 S 5/1995 Wang et al.
 5,490,818 A * 2/1996 Haber A63B 22/001
 5,492,515 A * 2/1996 Charnitski A63B 22/001
 D369,390 S * 4/1996 Haber D21/670
 D380,509 S 7/1997 Wilkinson et al.
 D384,118 S 9/1997 Deblauw
 5,672,142 A 9/1997 Wu
 5,674,161 A 10/1997 Lin
 5,676,626 A 10/1997 Huang
 5,690,593 A 11/1997 Huang
 D387,108 S 12/1997 Lee
 5,695,434 A 12/1997 Dalebout et al.
 5,722,918 A 3/1998 Lee
 5,803,880 A * 9/1998 Allen A63B 21/0087
 D408,874 S 4/1999 Kuo et al.
 5,928,115 A * 7/1999 Arroyo, Jr. A63B 22/0002
 6,146,314 A 11/2000 Lee
 6,155,959 A * 12/2000 Arroyo, Jr. A63B 21/012
 6,468,184 B1 10/2002 Lee
 7,393,308 B1 7/2008 Huang
 7,662,076 B1 * 2/2010 Ho A63B 21/068
 8,137,250 B1 * 3/2012 Caban A63B 21/018
 D702,299 S * 4/2014 Ho D21/686
 D705,367 S * 5/2014 Ho D21/687
 D709,969 S * 7/2014 Ho D21/668
 D729,887 S * 5/2015 Zeng D21/686
 D745,615 S * 12/2015 Ho D21/686
 9,205,297 B2 * 12/2015 Kaehler A63B 21/02
 D759,169 S 6/2016 Humberto Mercenari Uribe
 9,358,421 B2 6/2016 Mercenari Uribe
 9,707,434 B2 * 7/2017 Kaehler A63B 21/02
 D802,688 S * 11/2017 Sun D21/670
 2013/0045838 A1 * 2/2013 Ho A63B 22/0058
 2015/0343259 A1 * 12/2015 Mercenari Uribe A63B 22/0066

* cited by examiner

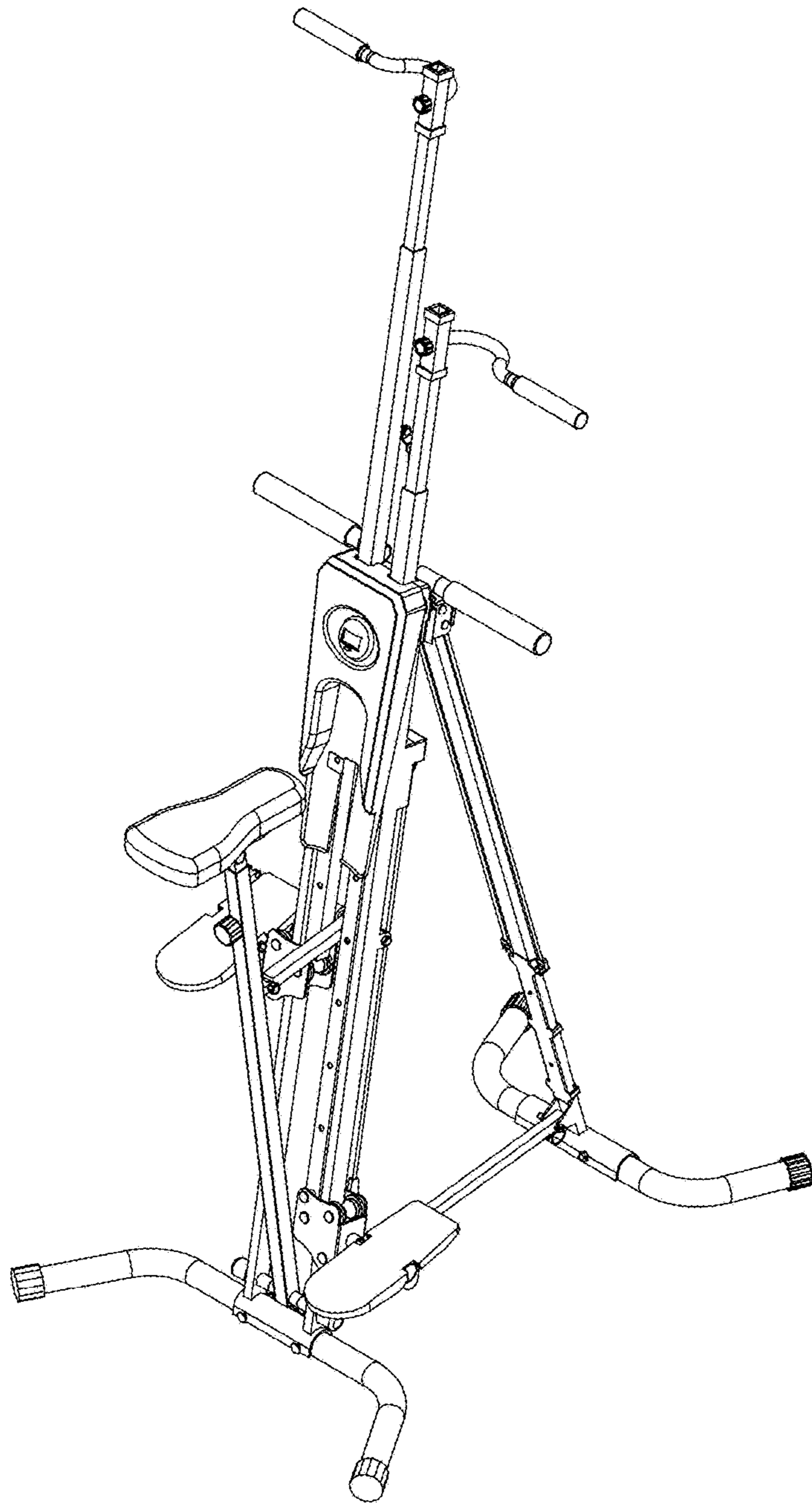


Figure 1

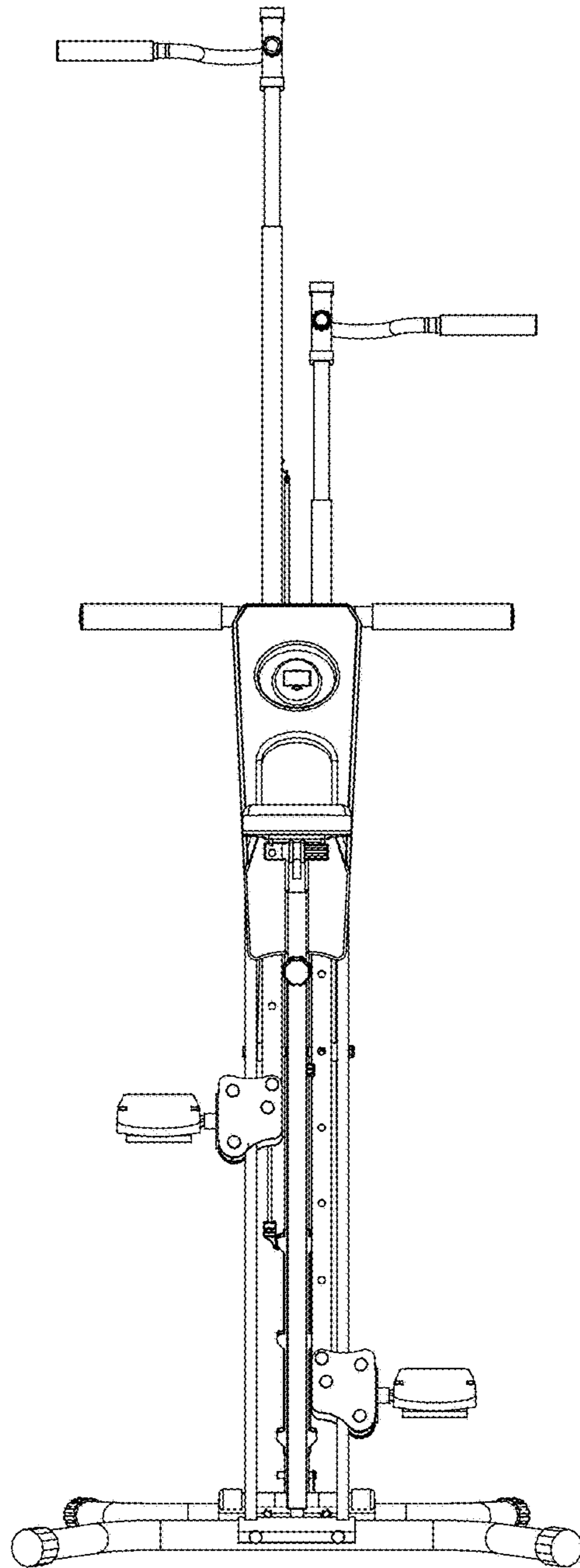


Figure 2

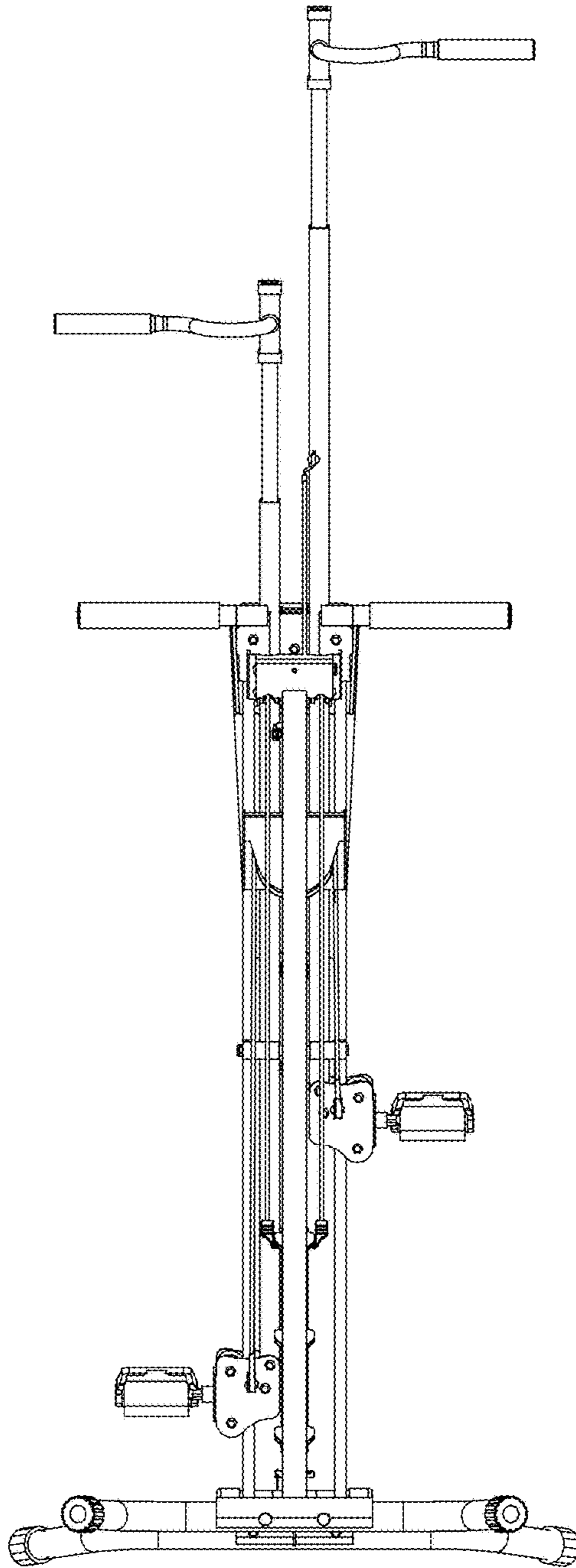


Figure 3

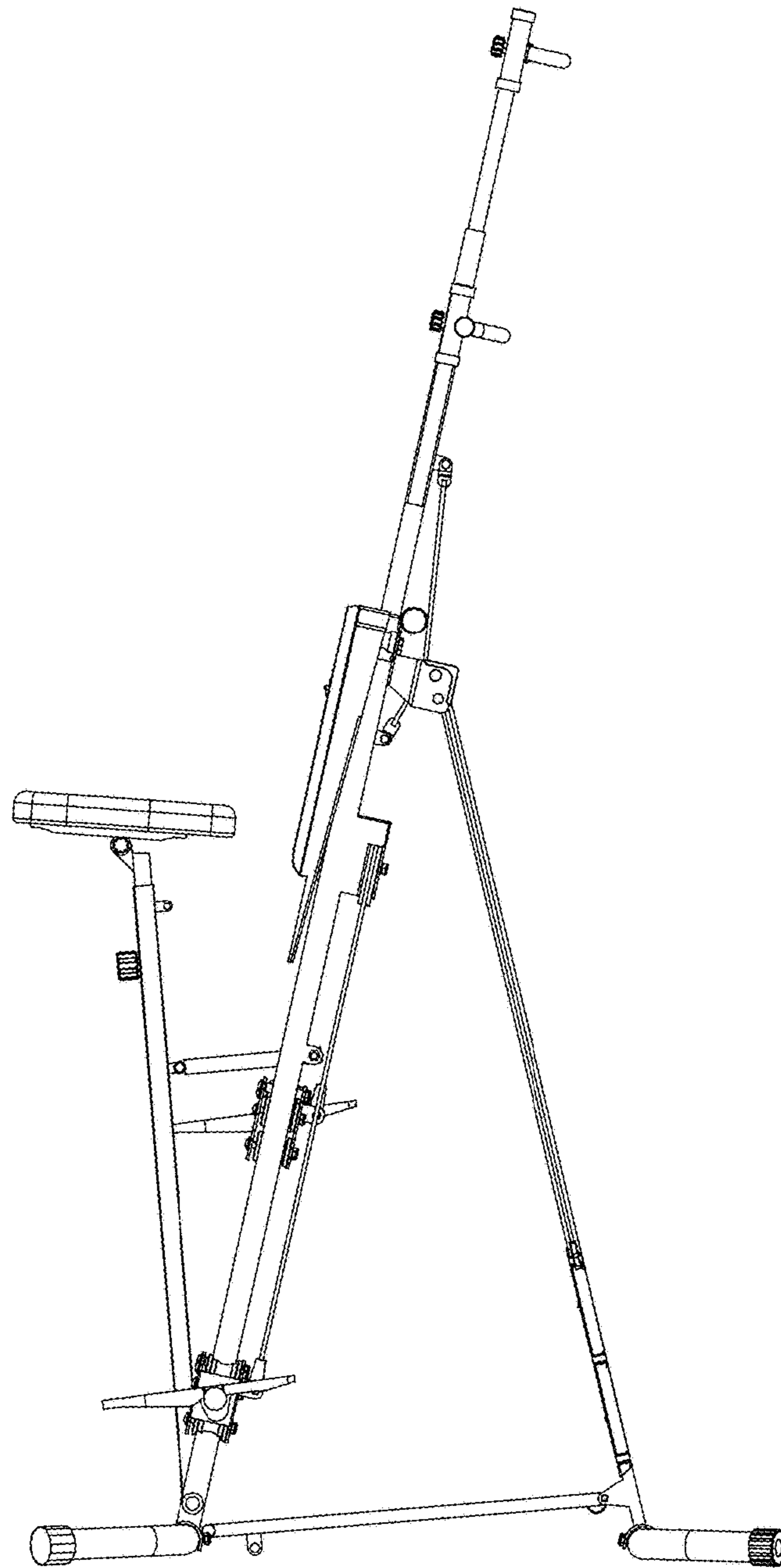


Figure 4

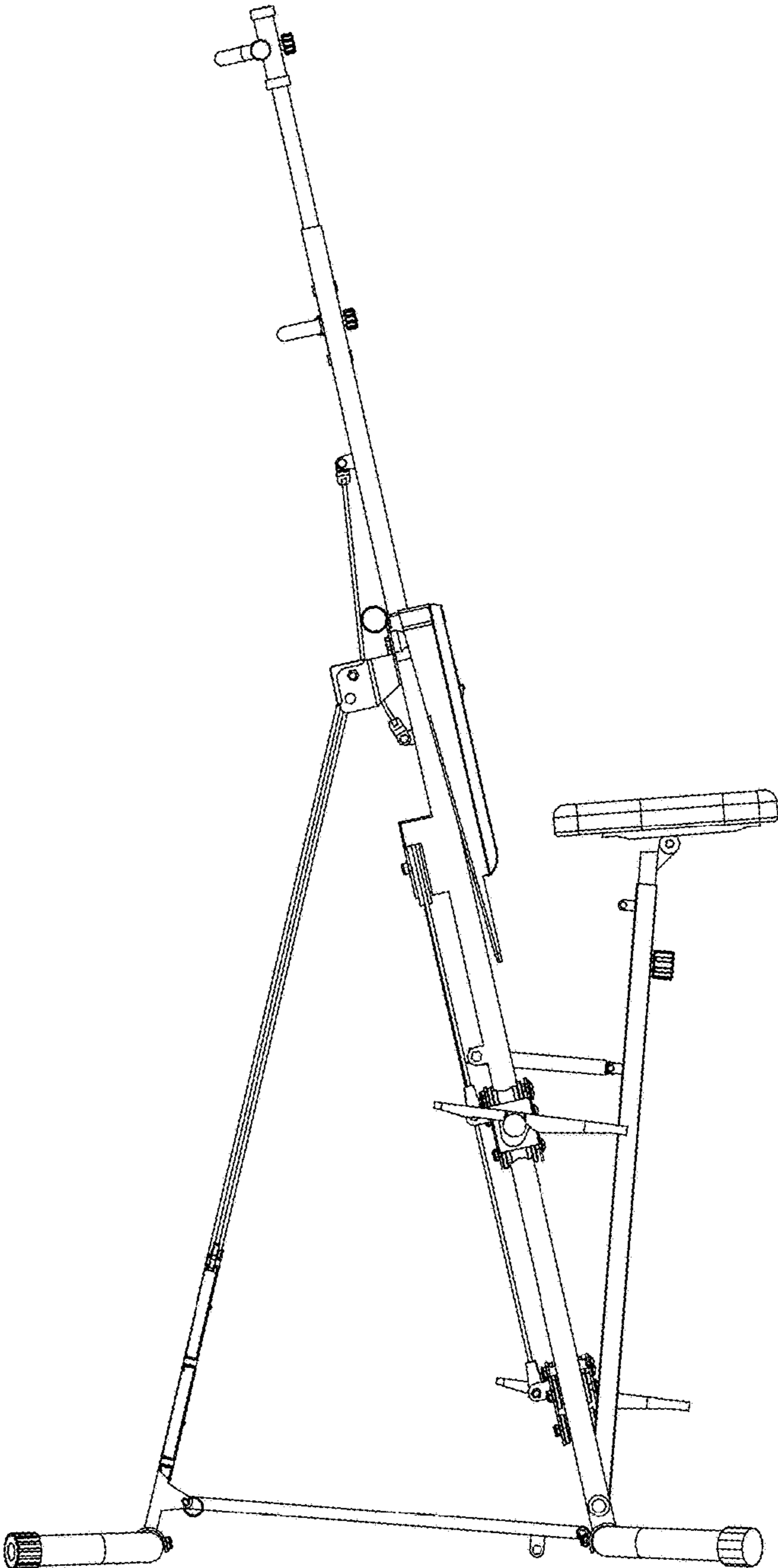


Figure 5

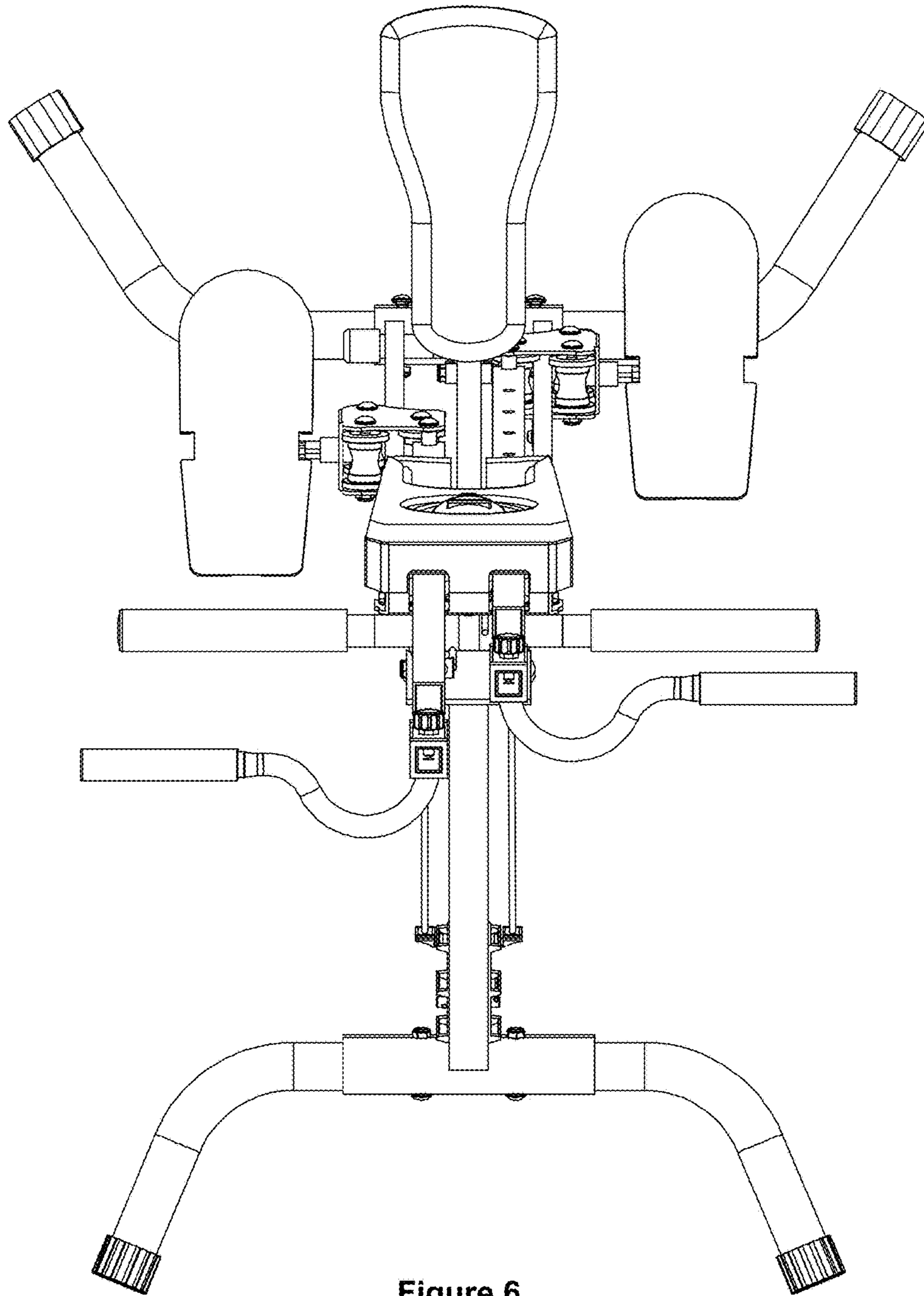


Figure 6

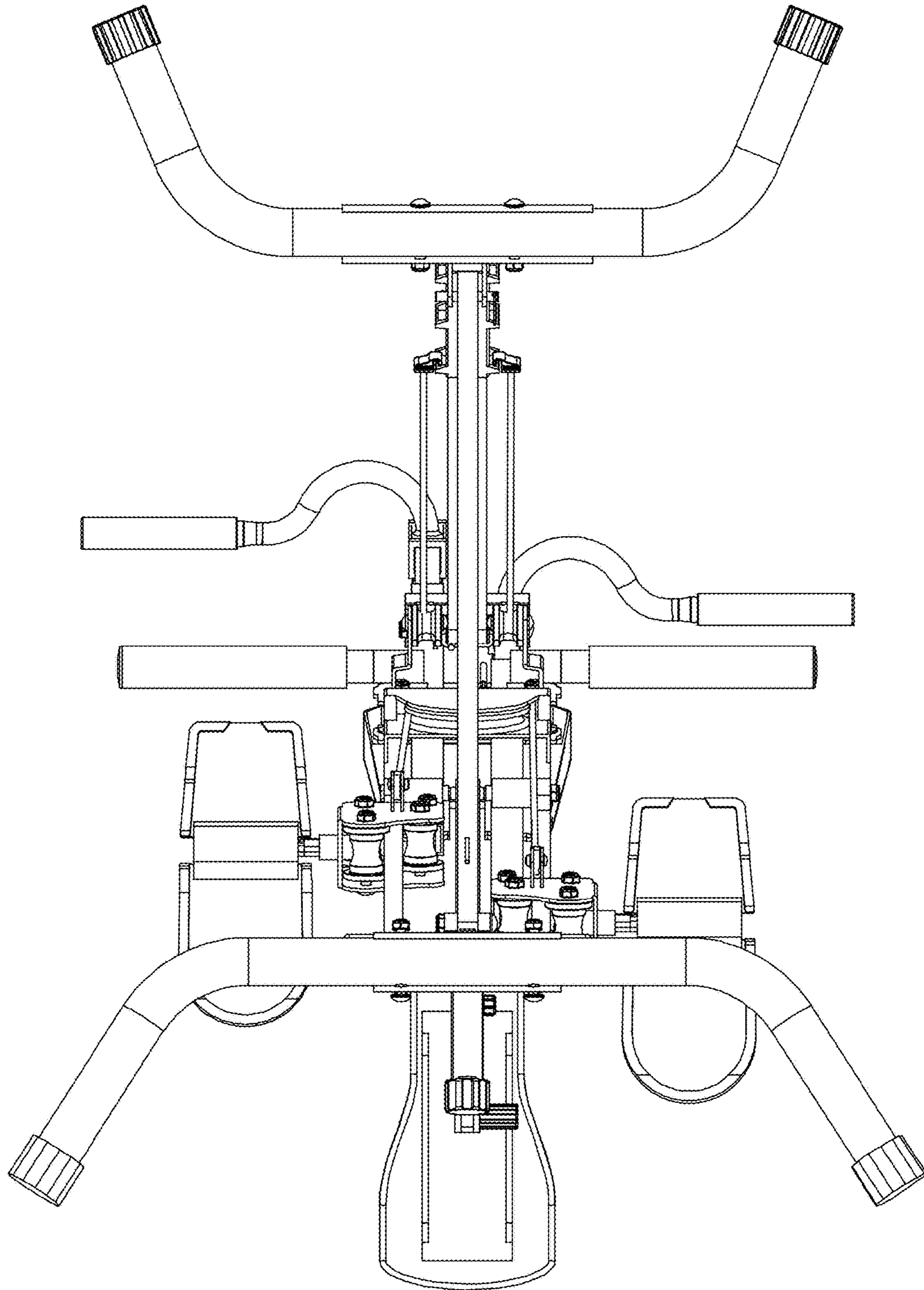


Figure 7

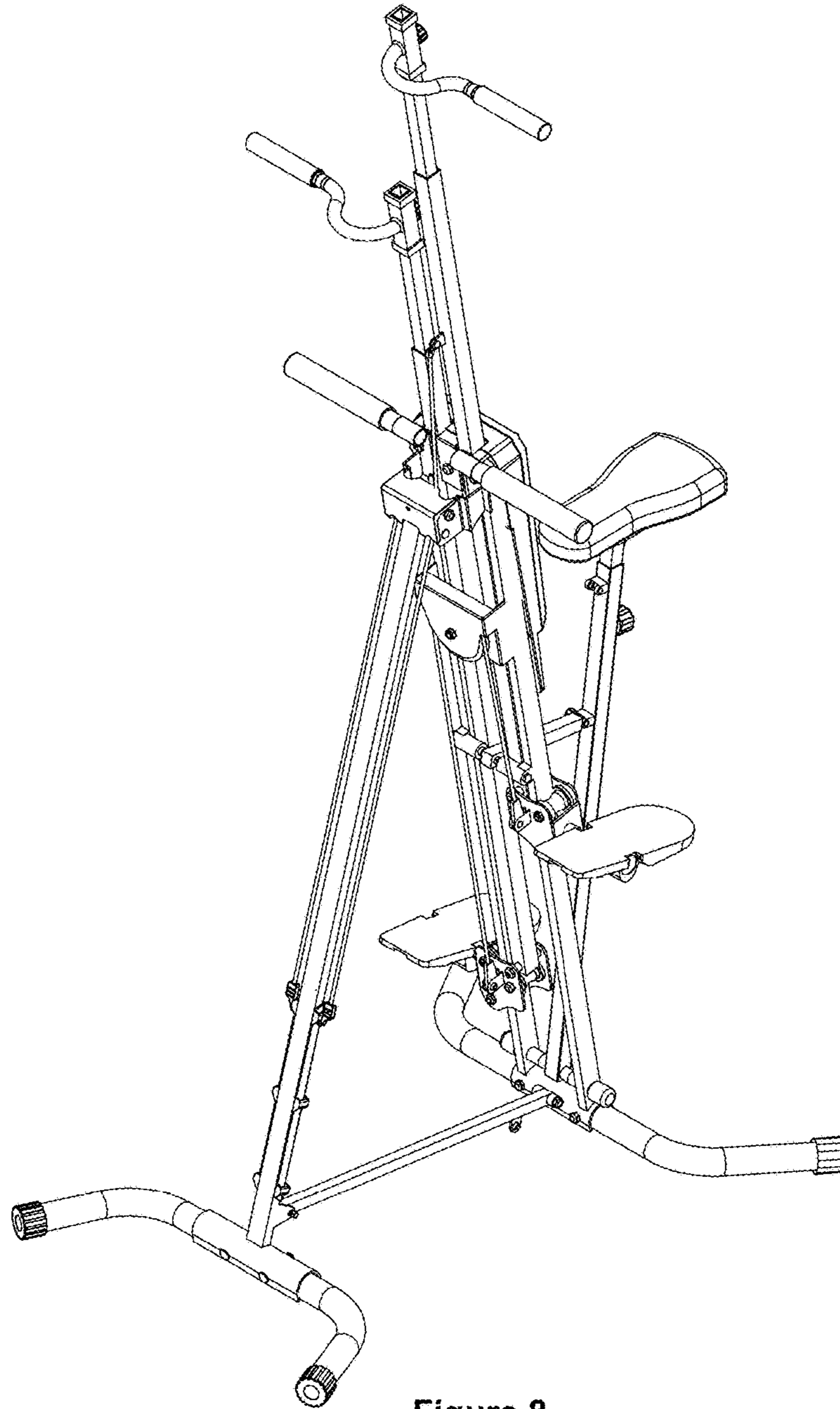


Figure 8

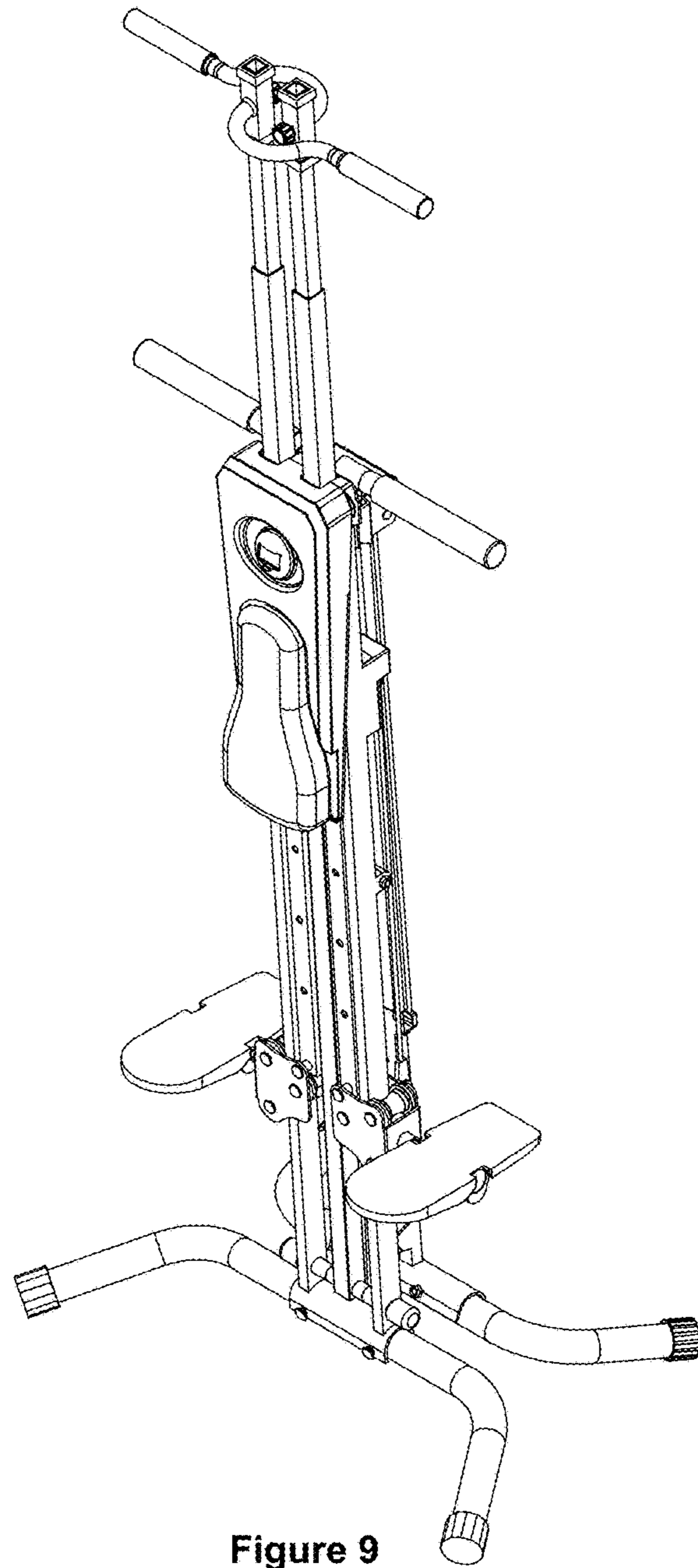


Figure 9

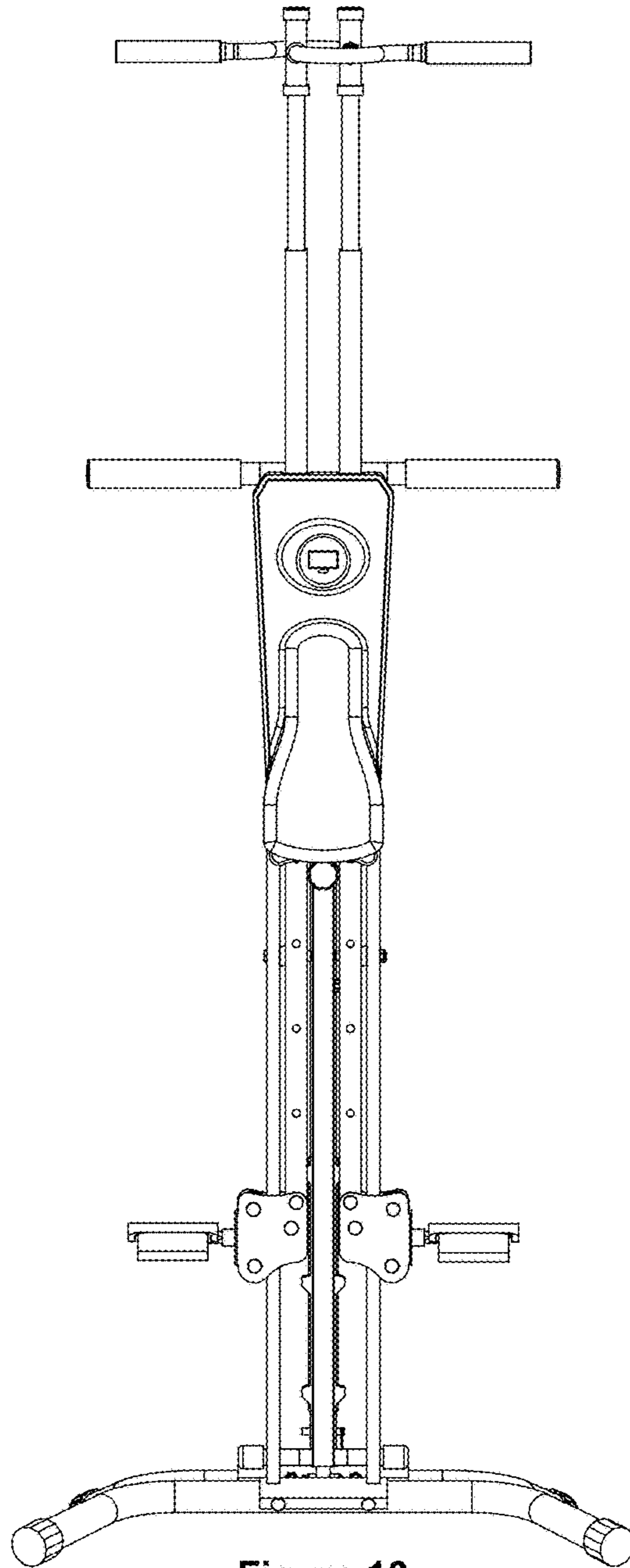


Figure 10

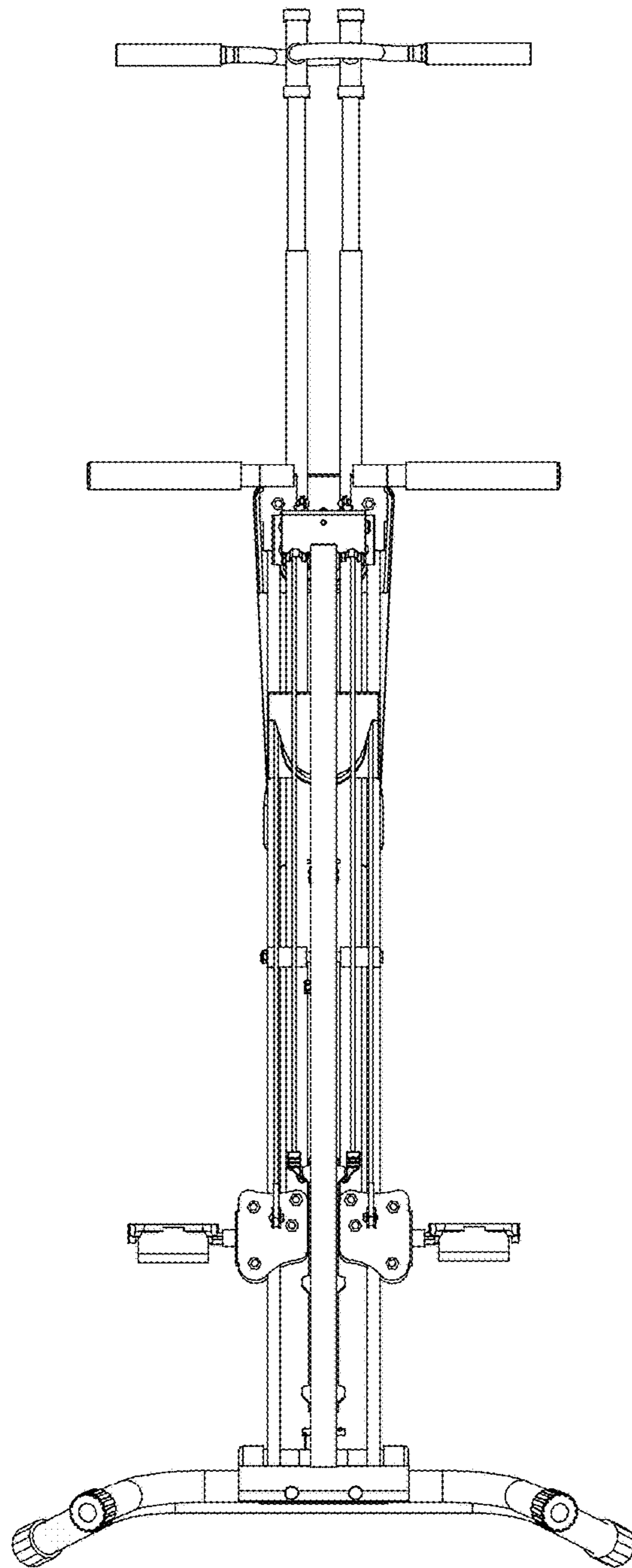


Figure 11

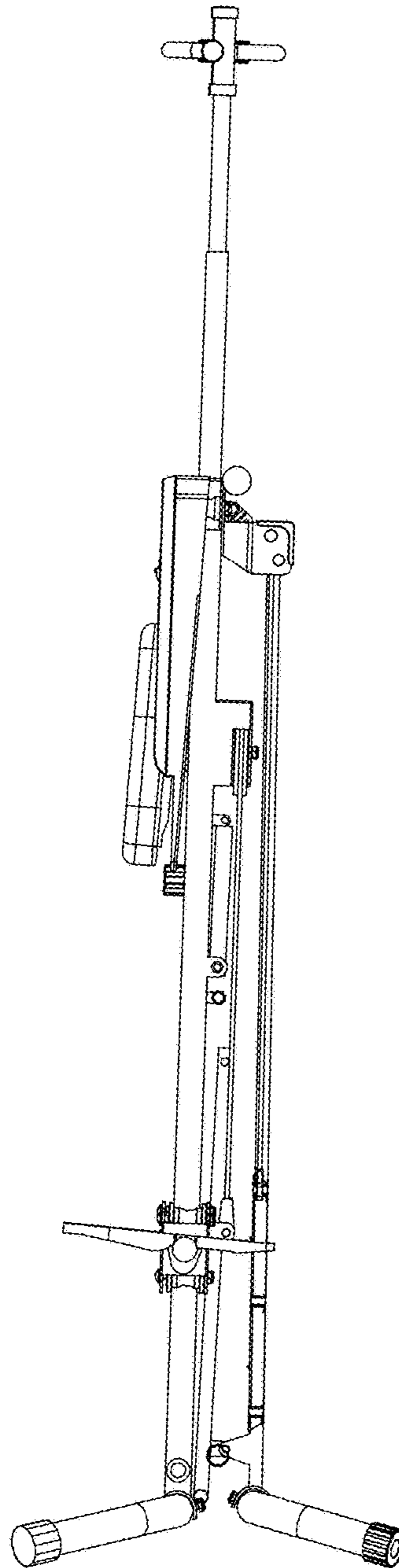


Figure 12

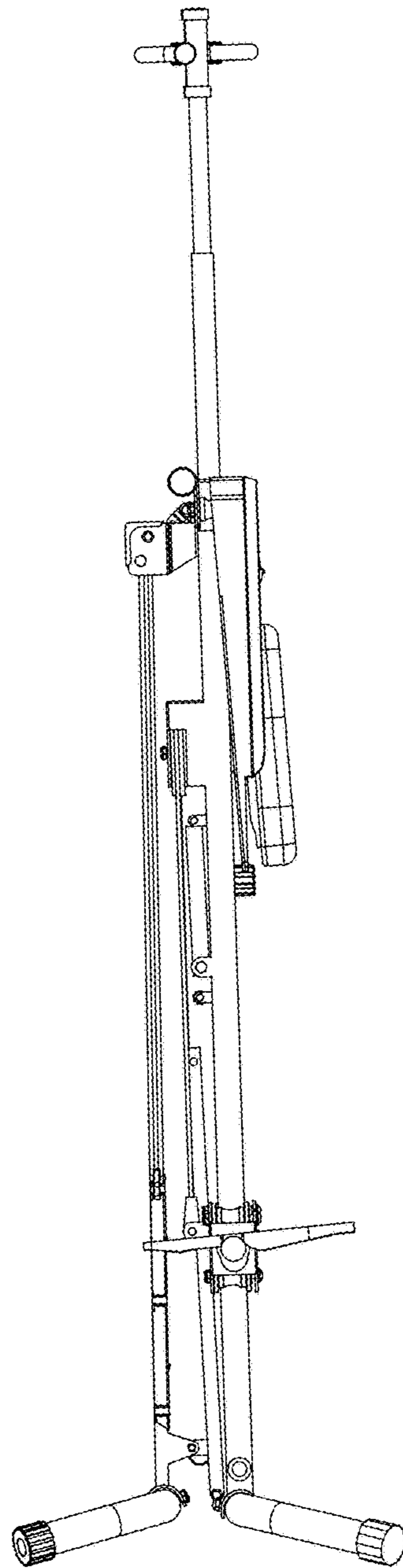


Figure 13

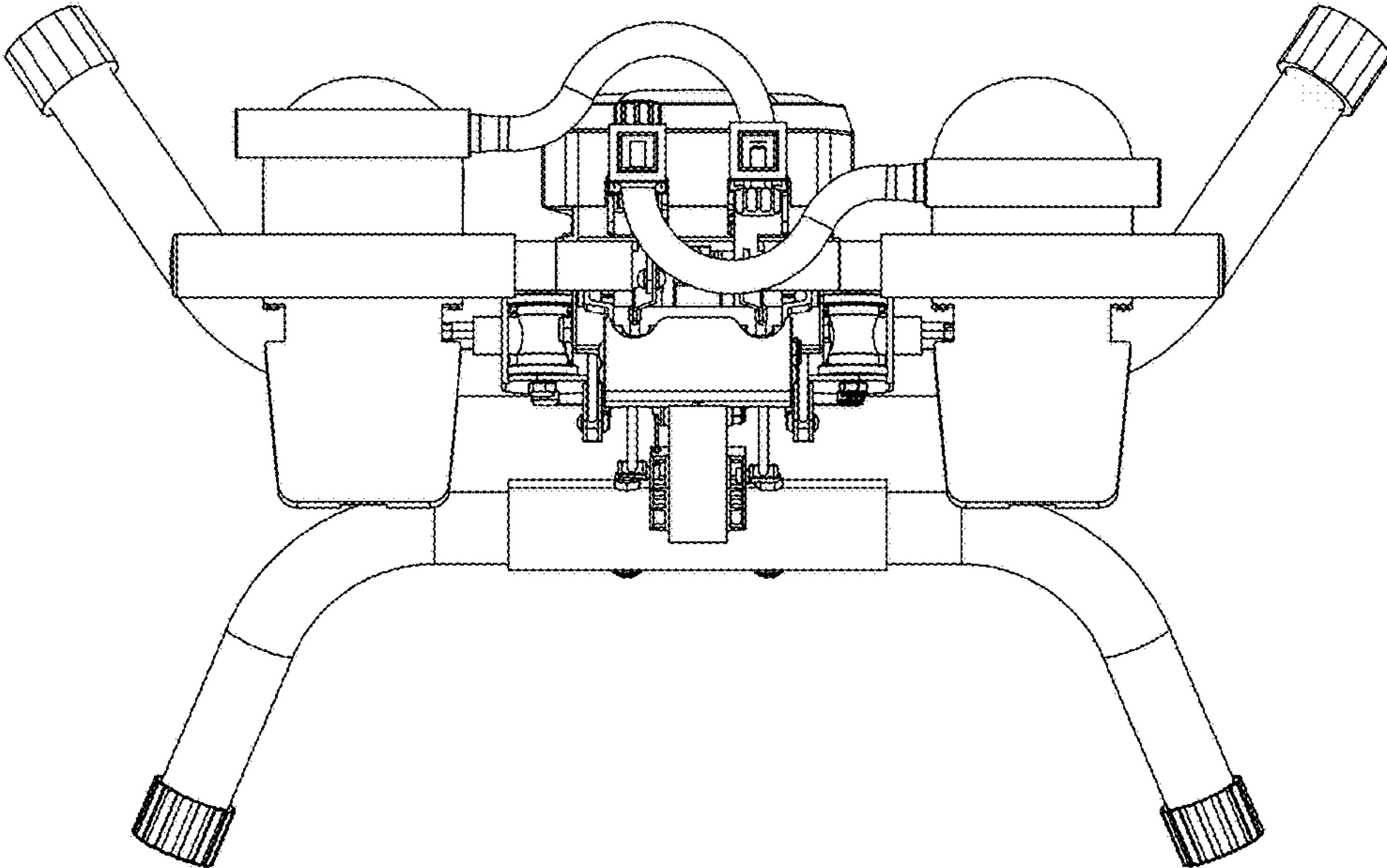


Figure 14

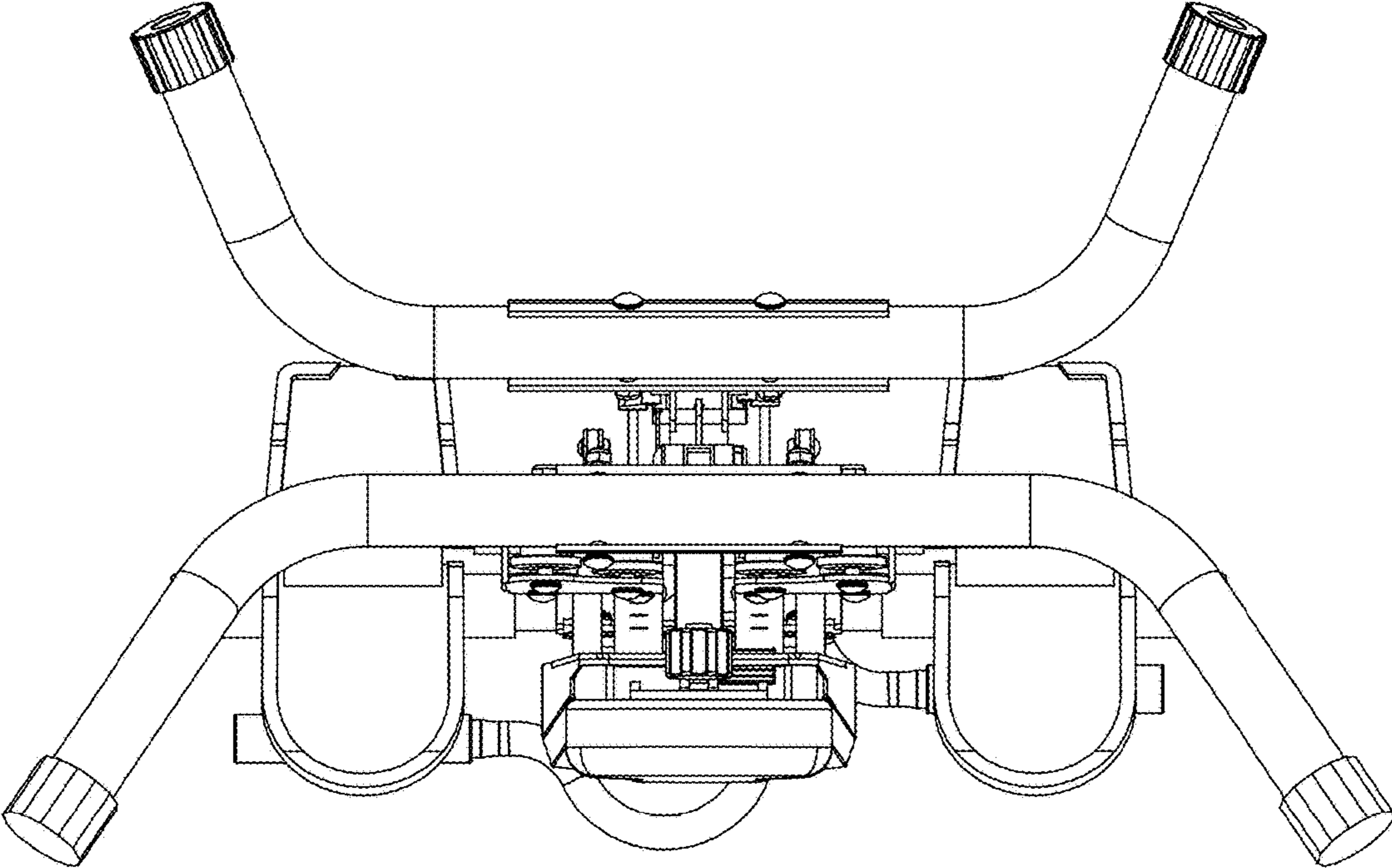


Figure 15

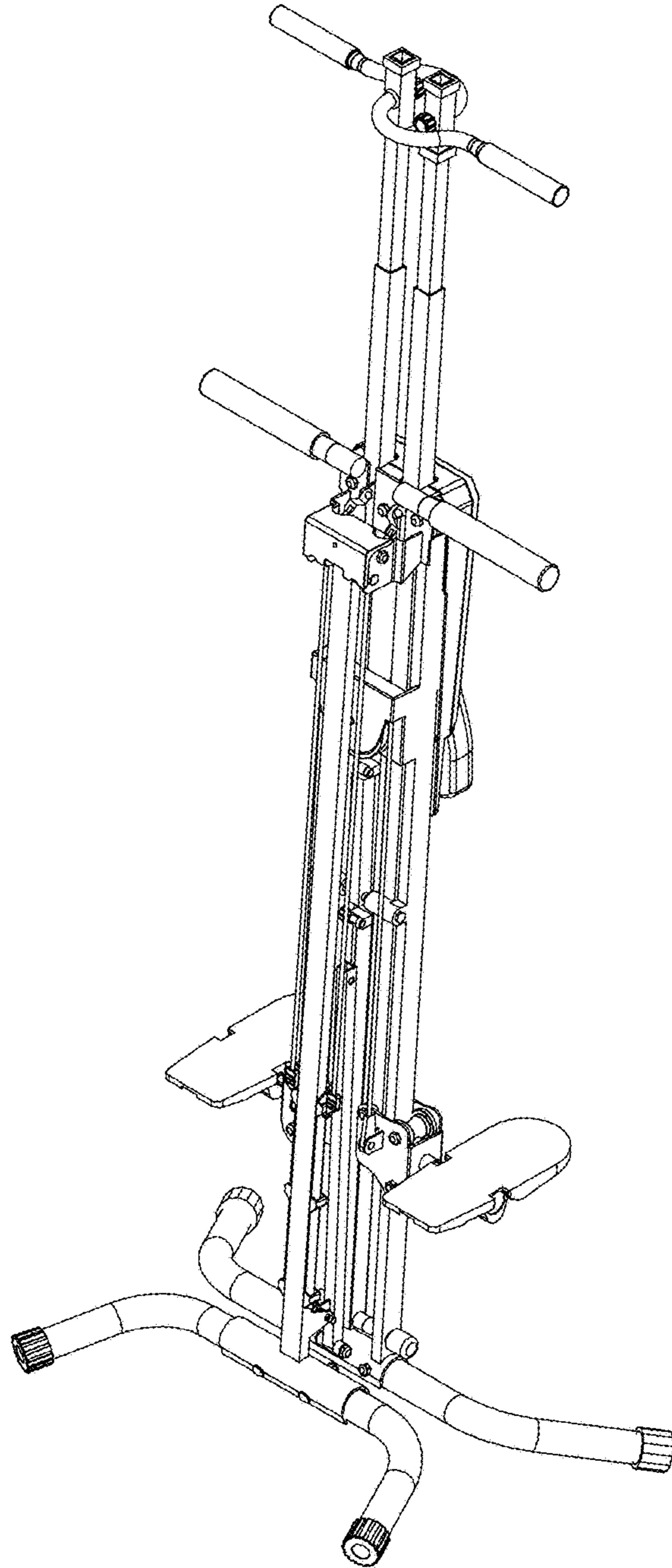


Figure 16

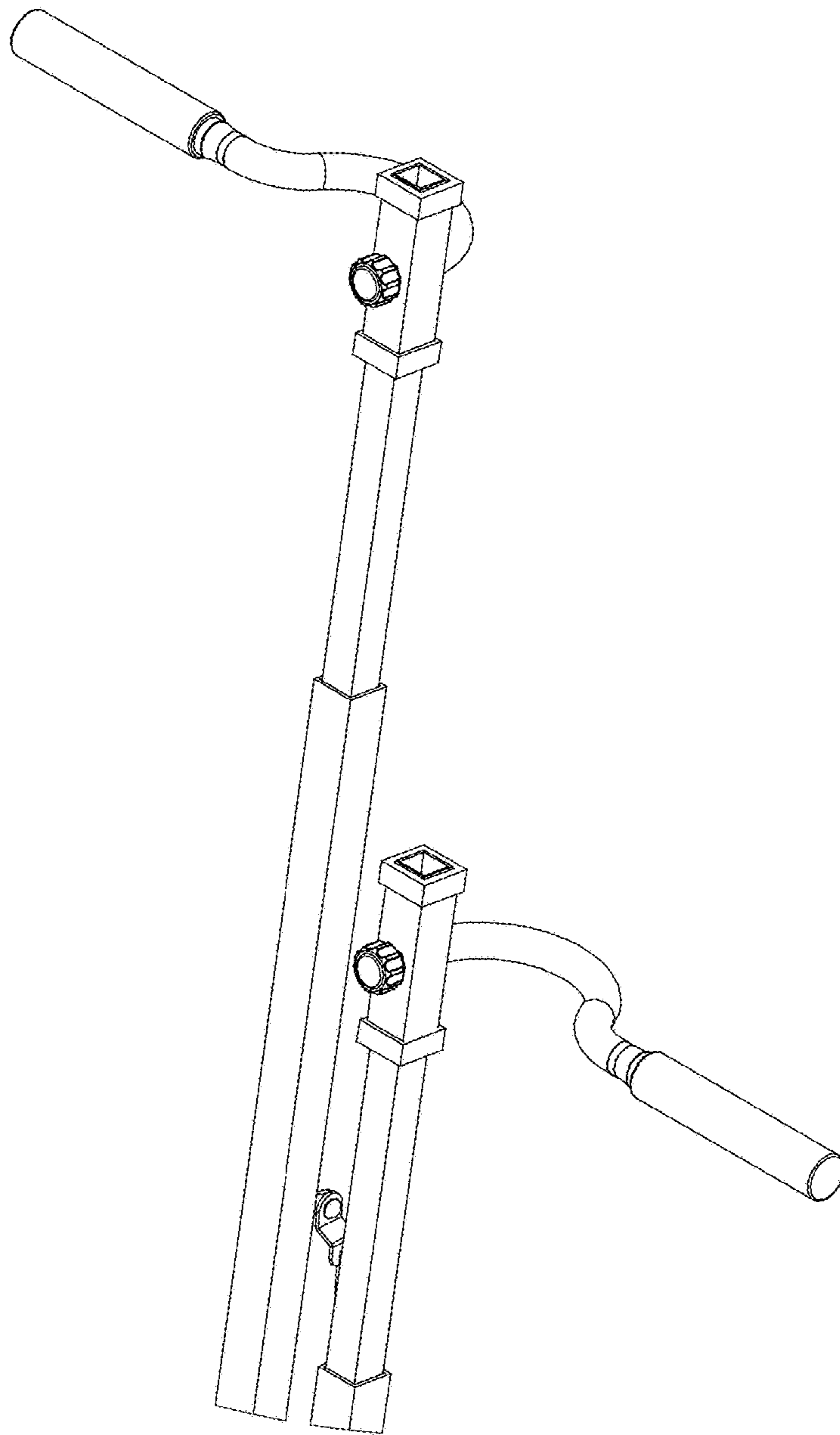


Figure 17

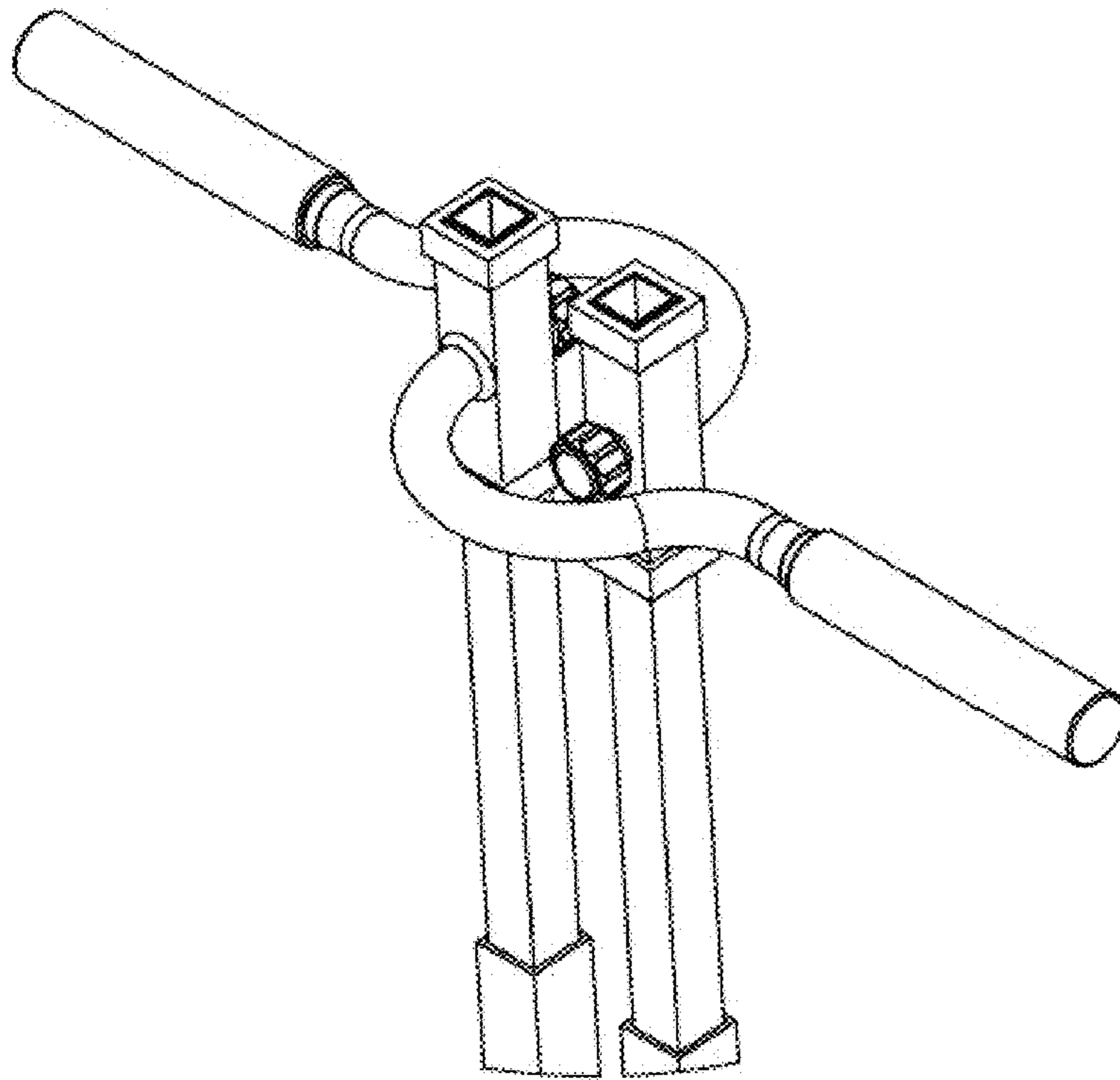


Figure 18

UNITED STATES PATENT AND TRADEMARK OFFICE
CERTIFICATE OF CORRECTION

PATENT NO. : D853,504 S
APPLICATION NO. : 29/614394
DATED : July 9, 2019
INVENTOR(S) : Fernando Humberto Mercenari Uribe

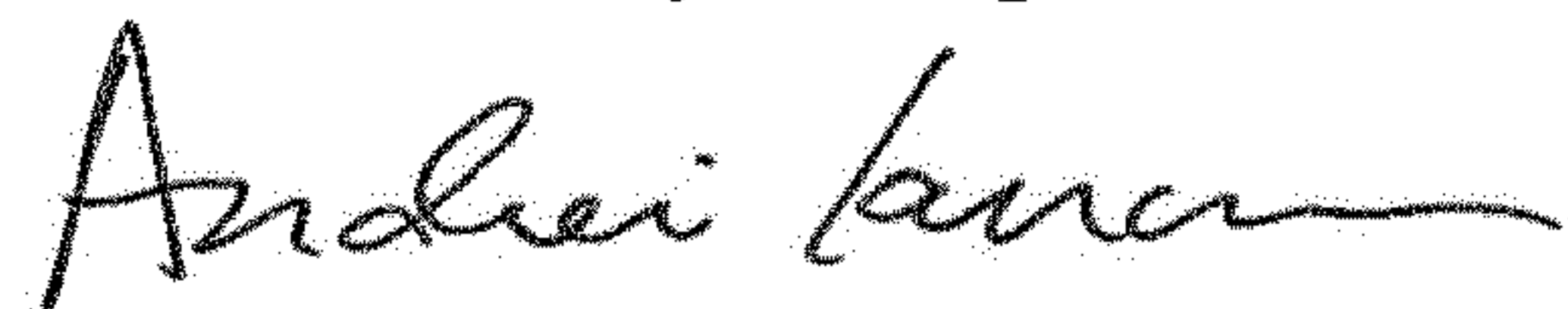
Page 1 of 1

It is certified that error appears in the above-identified patent and that said Letters Patent is hereby corrected as shown below:

On the Title Page

Item (54), Column 1, Line 1, delete "EXERCISER" and insert -- EXERCISE --

Signed and Sealed this
Seventeenth Day of September, 2019



Andrei Iancu
Director of the United States Patent and Trademark Office