



US00D853502S

(12) **United States Design Patent**
Chen

(10) **Patent No.:** **US D853,502 S**
(45) **Date of Patent:** **** Jul. 9, 2019**

(54) **CLIMBING EXERCISE MACHINE**
(71) Applicant: **Xuejun Chen**, Yongkang (CN)
(72) Inventor: **Xuejun Chen**, Yongkang (CN)
(73) Assignee: **Zhejiang Meier Fitness Equipment Co., Ltd.**, Yongkang, Zhejiang Province (CN)
(**) Term: **15 Years**
(21) Appl. No.: **29/601,577**
(22) Filed: **Apr. 24, 2017**

4,685,666 A * 8/1987 DeCloux A63B 21/0083
482/113
4,958,830 A * 9/1990 Huggins A61H 1/0259
482/51
5,000,441 A * 3/1991 Wang A63B 22/0002
482/112
D315,937 S * 4/1991 Huggins D21/670
5,007,631 A * 4/1991 Wang A63B 22/001
482/119
5,040,785 A * 8/1991 Charnitski A63B 22/001
482/51
D326,695 S * 6/1992 Evans D21/670
D329,478 S * 9/1992 Wang D21/670
5,180,351 A * 1/1993 Ehrenfried A63B 21/154
482/51

(Continued)

Primary Examiner — Philip S Hyder
Assistant Examiner — Ryan Harvey
(74) *Attorney, Agent, or Firm* — Edwin D. Schindler

(30) **Foreign Application Priority Data**

Oct. 26, 2016 (CN) 2016 3 0528642

(51) **LOC (11) Cl.** **21-02**

(52) **U.S. Cl.**
USPC **D21/670**

(58) **Field of Classification Search**

USPC 482/70, 51, 53, 54, 140, 142, 123, 121,
482/122, 129, 130, 96, 52, 57, 907, 126,
482/131, 145, 144, 112, 134, 26, 27, 77,
482/125, 132, 92, 95, 91, 128, 68, 141;
D21/687, 686, 669, 673, 690, 691, 694,
D21/676, 674, 670, 663, 662, 423, 695,
D21/688; 601/24, 49, 40, 29, 27, 5, 34
CPC A63B 2208/0204; A63B 21/4047; A63B
21/0552; A63B 21/00069; A63B 22/0056;
A63B 22/203; A63B 22/205
See application file for complete search history.

(56) **References Cited**

U.S. PATENT DOCUMENTS

D263,490 S * 3/1982 Hickman D21/670
4,496,147 A * 1/1985 DeCloux A63B 21/0083
482/113
4,540,172 A * 9/1985 Evans A63B 21/018
482/120

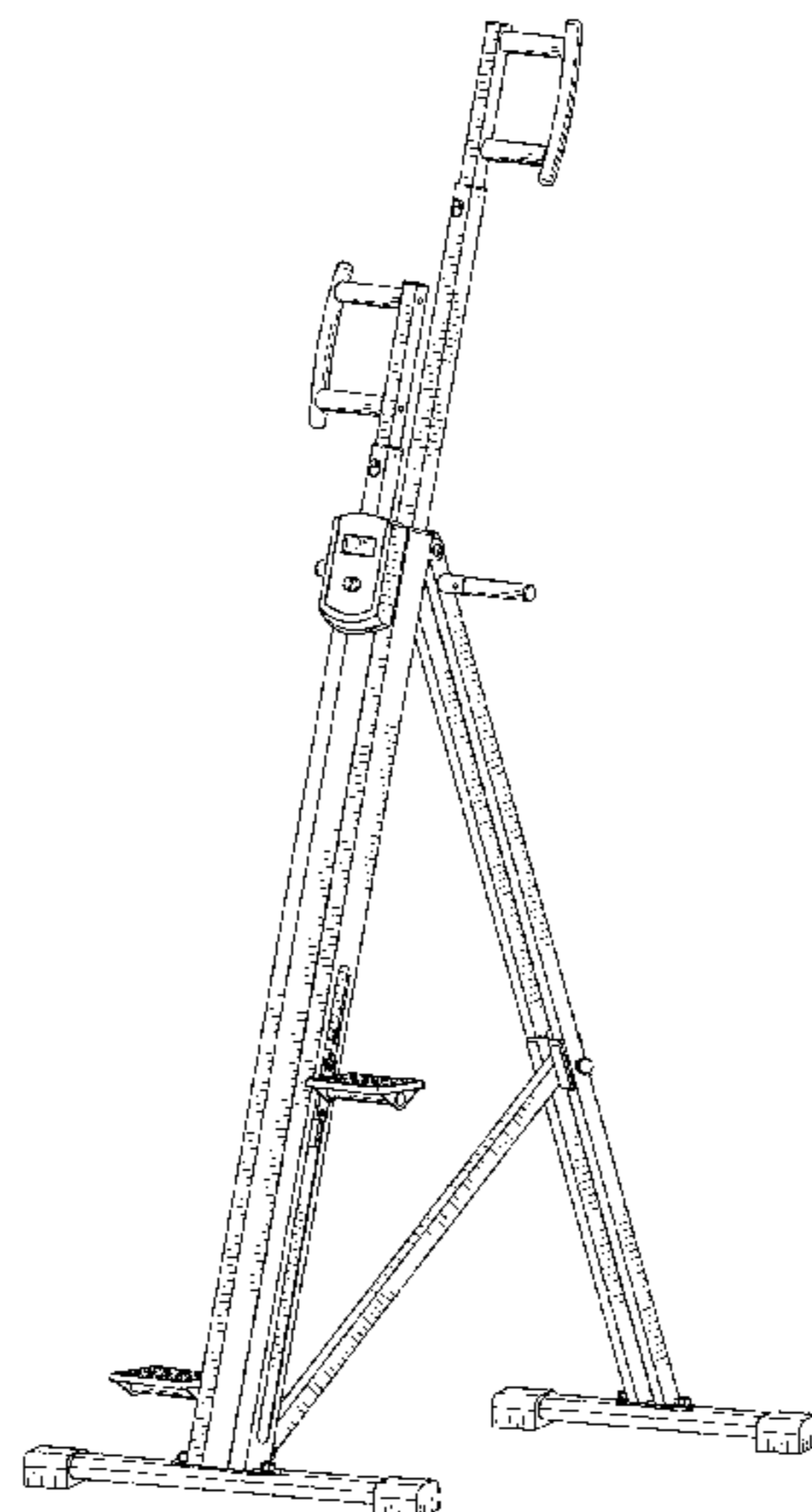
(57) **CLAIM**

The ornamental design for climbing exercise machine, as shown and described.

DESCRIPTION

FIG. 1 is a front, perspective view of climbing exercise machine showing the present design;
FIG. 2 is a rear view of the climbing exercise machine of FIG. 1;
FIG. 3 is a front view of the climbing exercise machine of FIG. 1;
FIG. 4 is a right-side view of the climbing exercise machine of FIG. 1;
FIG. 5 is a left-side view of the climbing exercise machine of FIG. 1;
FIG. 6 is a top view of the climbing exercise machine of FIG. 1; and,
FIG. 7 is a bottom view of the climbing exercise machine of FIG. 1.

1 Claim, 7 Drawing Sheets



(56)

References Cited

U.S. PATENT DOCUMENTS

5,199,932 A * 4/1993 Liao A63B 22/001
482/113

5,222,927 A * 6/1993 Chang A63B 21/0552
482/126

5,370,592 A * 12/1994 Wu A63B 21/0083
482/112

D355,228 S * 2/1995 Hung D21/670

5,492,515 A * 2/1996 Charnitski A63B 22/001
482/37

D369,390 S * 4/1996 Haber D21/670

5,803,880 A * 9/1998 Allen A63B 21/0087
482/113

7,662,076 B1 * 2/2010 Ho A63B 21/068
482/130

8,137,250 B1 * 3/2012 Caban A63B 21/018
483/131

D702,299 S * 4/2014 Ho D21/686

D705,367 S * 5/2014 Ho D21/687

D709,969 S * 7/2014 Ho D21/668

D729,887 S * 5/2015 Zeng D21/686

D745,615 S * 12/2015 Ho D21/686

9,205,297 B2 * 12/2015 Kaehler A63B 21/02

D759,169 S * 6/2016 Humberto Mercenari Uribe
D21/670

9,707,434 B2 * 7/2017 Kaehler A63B 21/15

2013/0045838 A1 * 2/2013 Ho A63B 22/0058
482/52

2015/0343259 A1 * 12/2015 Mercenari Uribe
A63B 22/0066
482/52

* cited by examiner

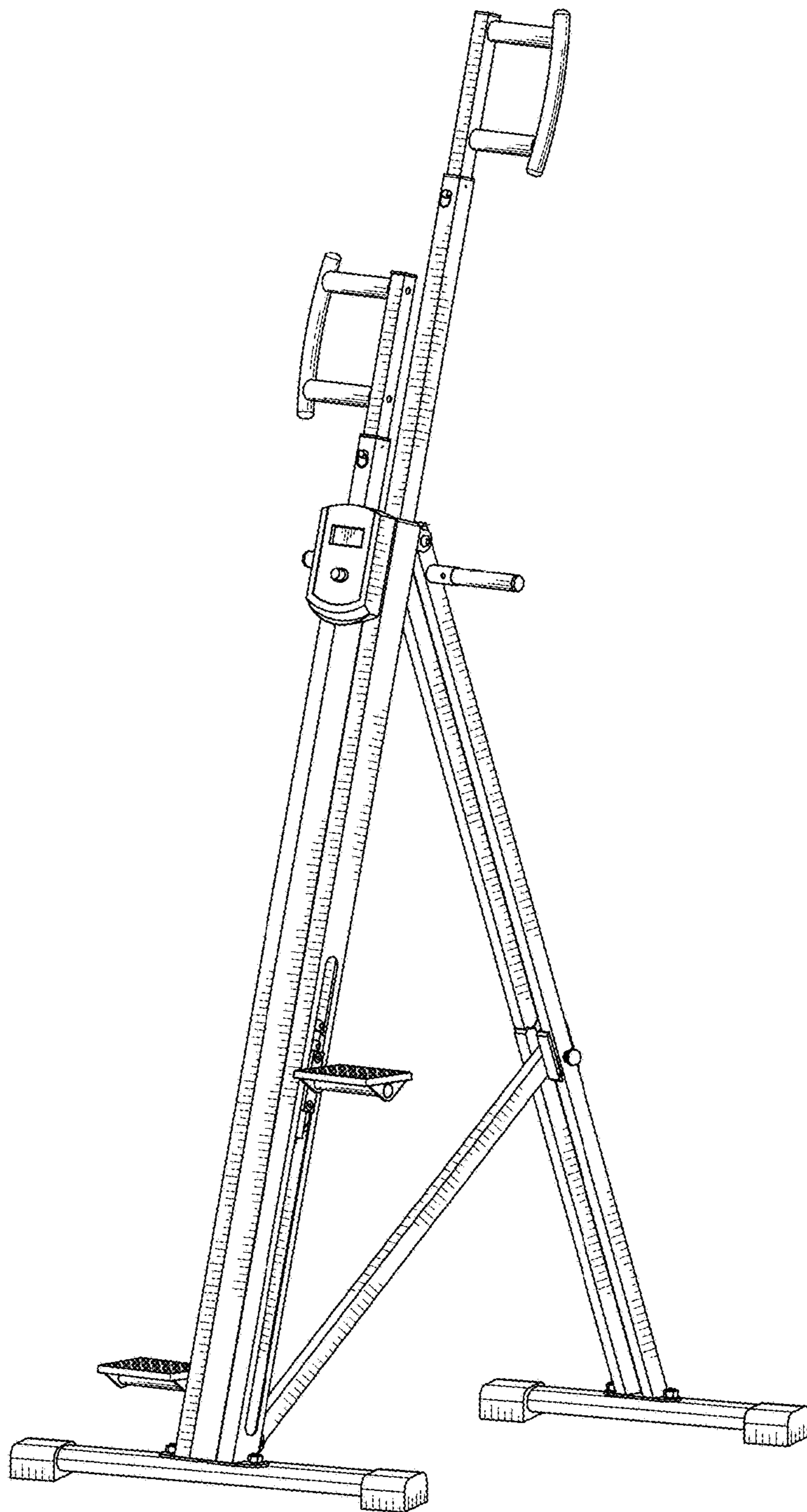


FIG. 1

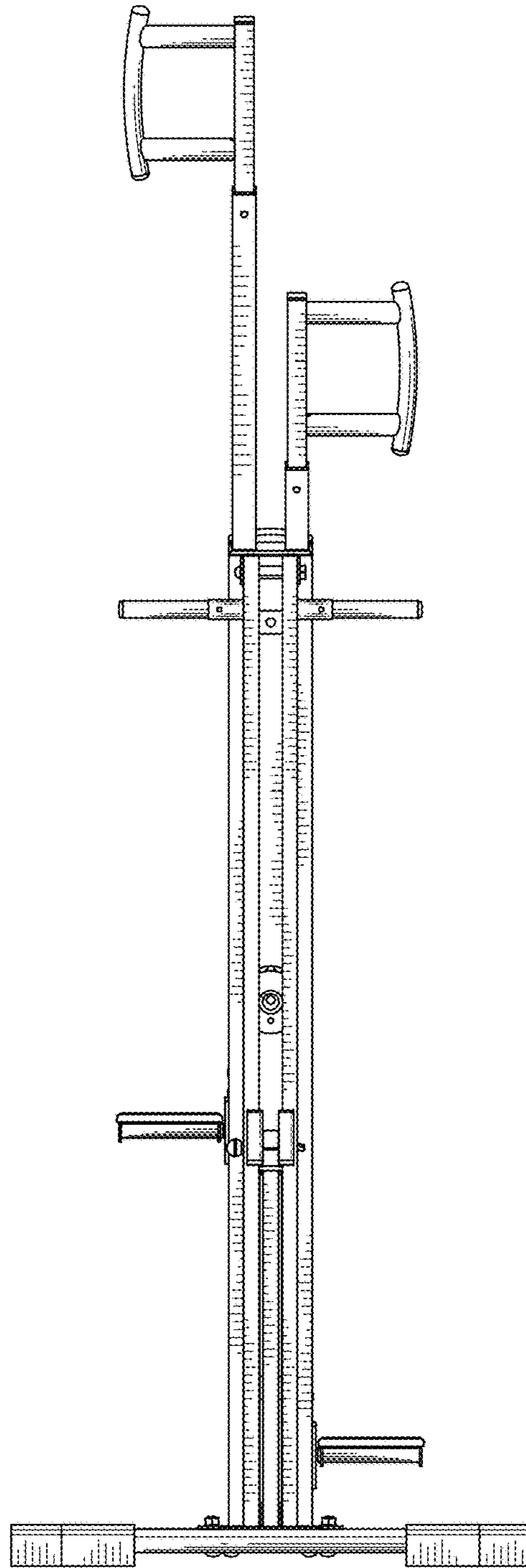


FIG. 2

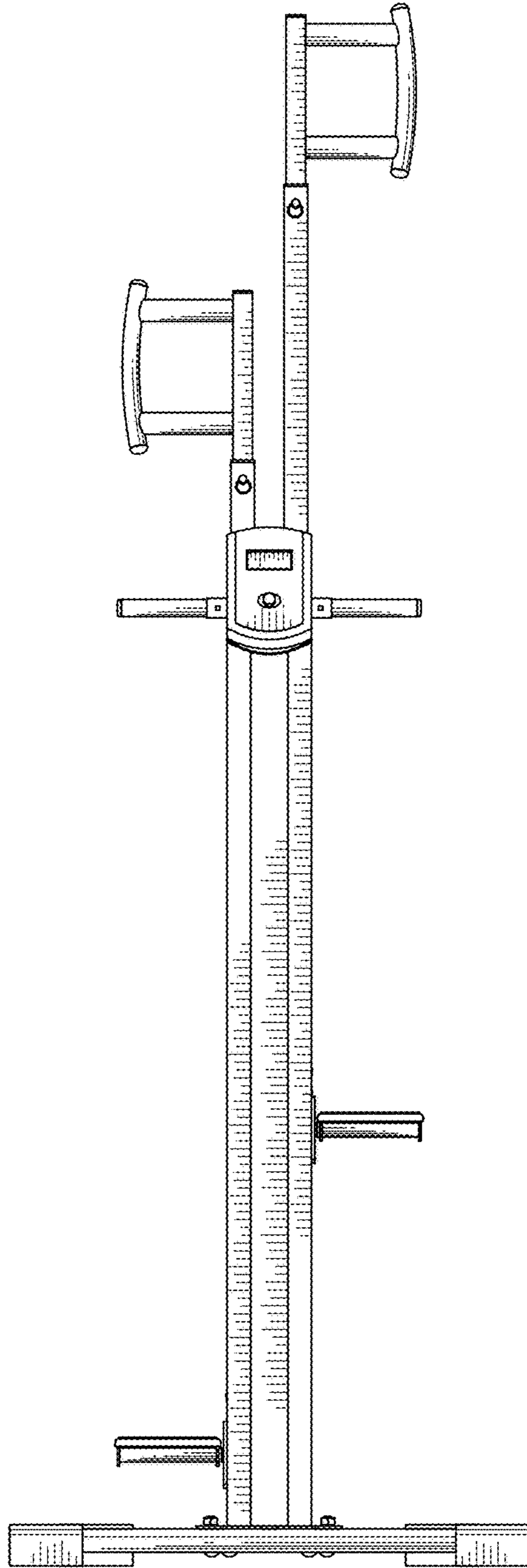


FIG. 3

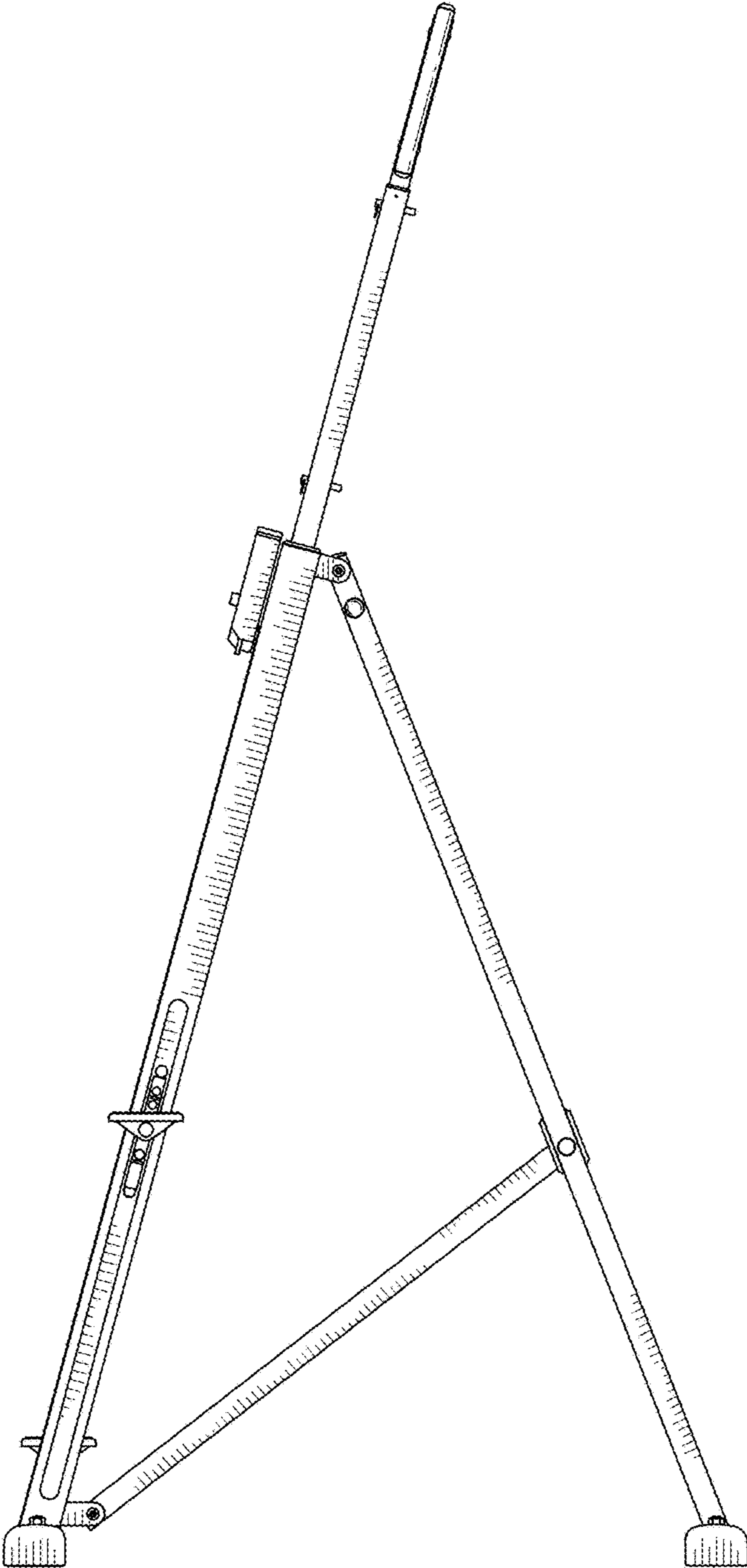


FIG. 4

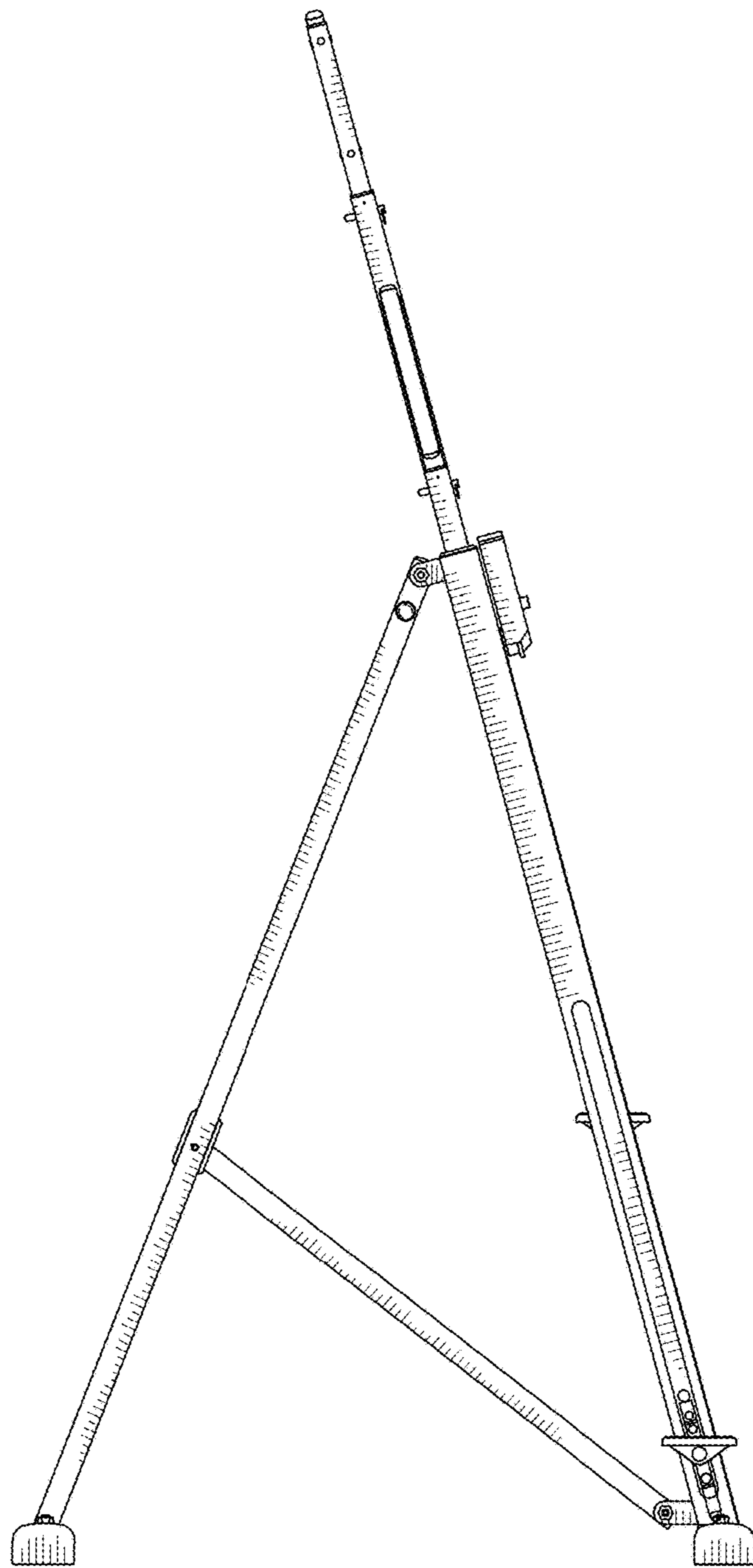


FIG. 5

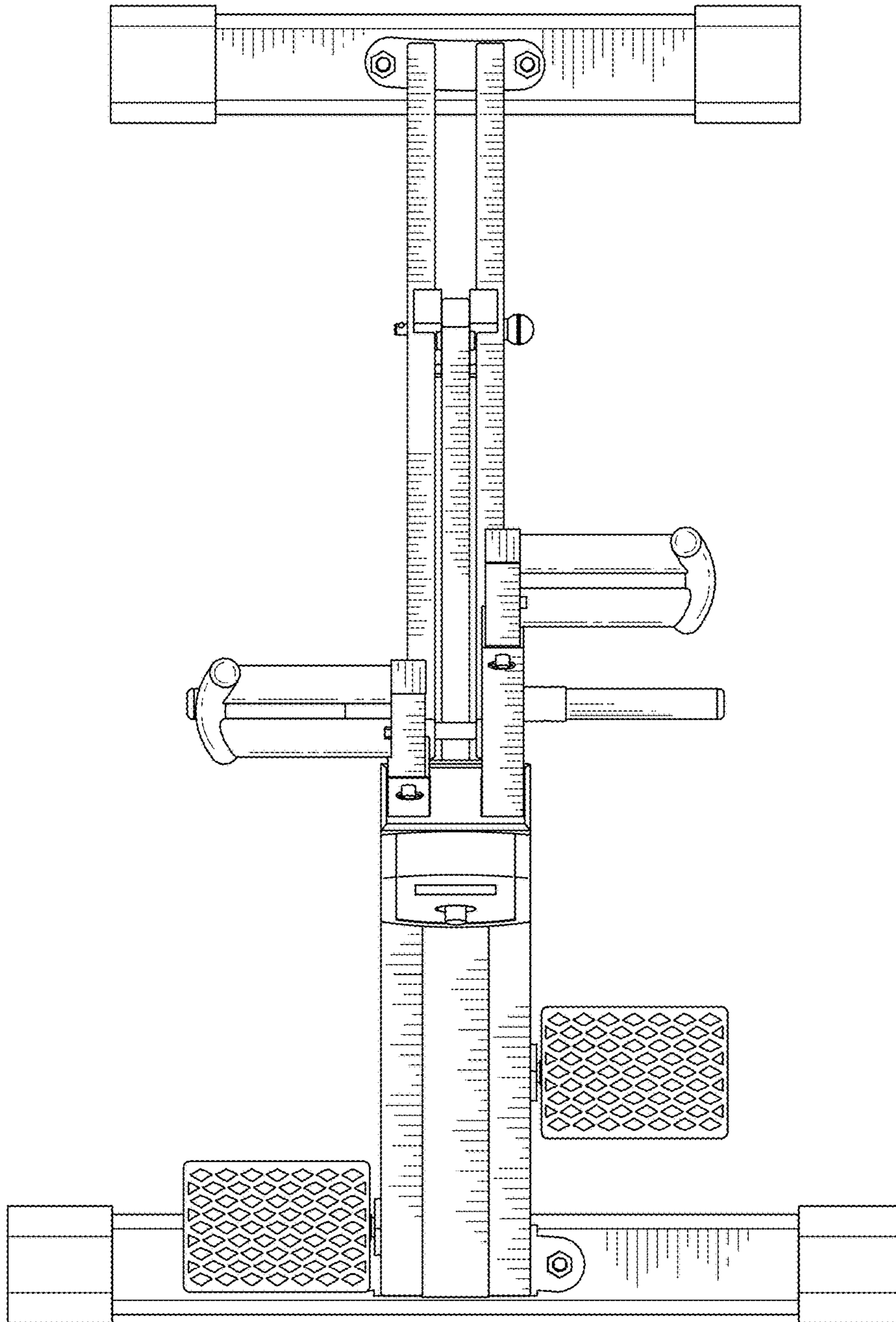


FIG. 6

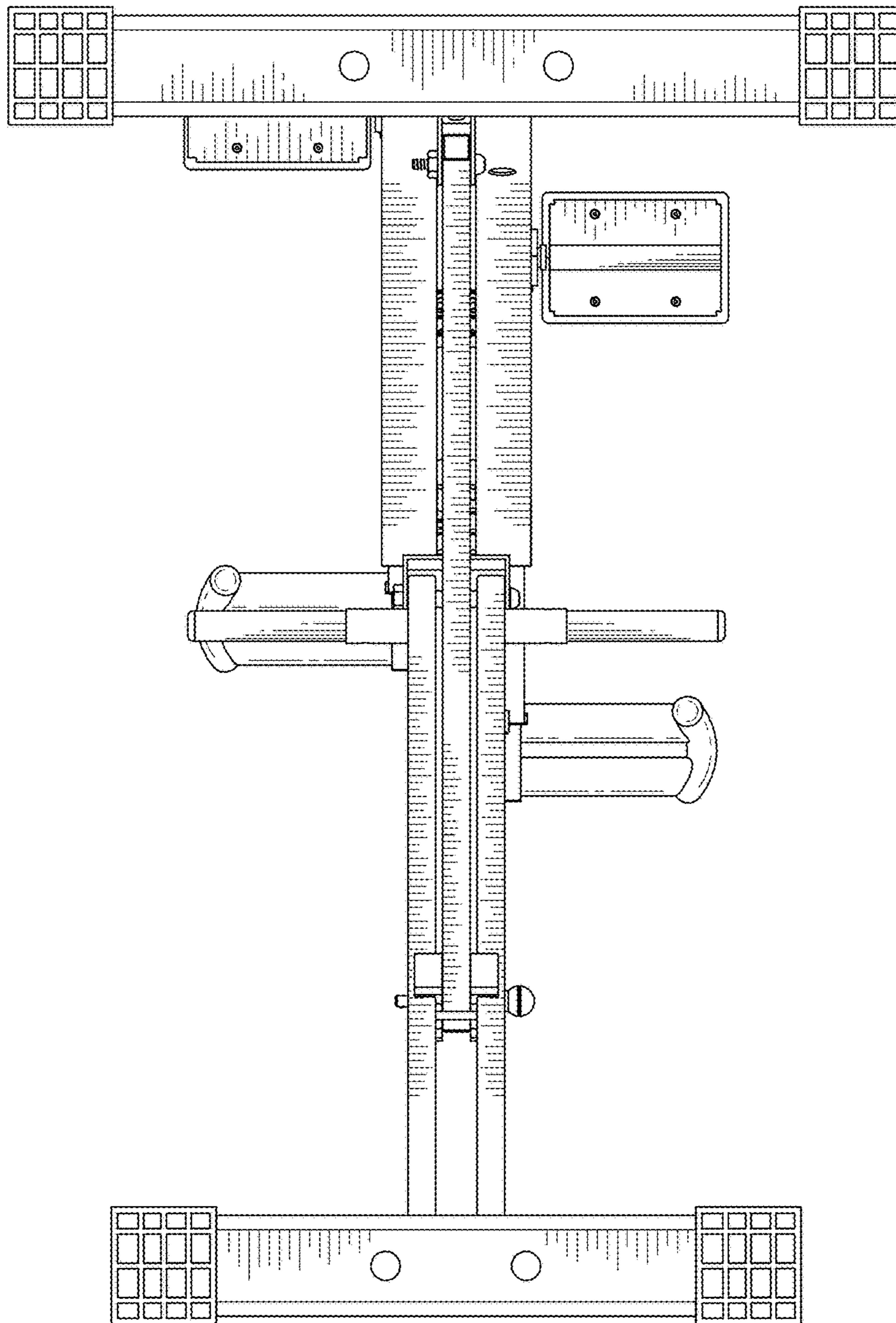


FIG. 7