



US00D853493S

(12) **United States Design Patent** (10) **Patent No.:** **US D853,493 S**
Lee et al. (45) **Date of Patent:** **** Jul. 9, 2019**

(54) **DIGITAL SIGNAGE**

(71) Applicant: **LG ELECTRONICS INC.**, Seoul (KR)
(72) Inventors: **Yoonkyeong Lee**, Seoul (KR); **Yongho Lee**, Seoul (KR)
(73) Assignee: **LG ELECTRONICS INC.**, Seoul (KR)

(**) Term: **15 Years**

(21) Appl. No.: **35/504,818**

(22) Filed: **Oct. 23, 2017**

(80) **Hague Agreement Data**

Int. Filing Date: **Oct. 23, 2017**
Int. Reg. No.: **DM/098260**
Int. Reg. Date: **Oct. 23, 2017**
Int. Reg. Pub. Date: **Apr. 27, 2018**

(30) **Foreign Application Priority Data**

Apr. 24, 2017 (KR) 30-2017-0018986

(51) **LOC (11) Cl.** **20-02**

(52) **U.S. Cl.**
USPC **D20/41**

(58) **Field of Classification Search**

USPC D20/10, 19, 99, 15, 27, 39, 41; D6/300, D6/310; D14/126, 305, 307, 316, 335, D14/336, 339, 340, 371
CPC G09F 1/00; G09F 1/02; G09F 2003/023; G09F 2003/026; G09F 2003/0264; G09F 7/00; G09F 7/12; G09F 7/14; G09F 7/16; G09F 2007/122; G09F 9/00; G09F 9/33; G09F 13/00; G09F 13/04; G09F 13/06; G09F 13/18; G09F 13/22; G09F 13/24; G09F 13/26; G09F 2013/1895; G09F 15/00

See application file for complete search history.

(56) **References Cited**

U.S. PATENT DOCUMENTS

D233,184 S * 10/1974 Alfonso D20/99
D271,168 S * 11/1983 Antonczyk D6/300
4,813,197 A * 3/1989 Teisen-Simony G09F 7/00
52/783.1
D564,994 S * 3/2008 Yamaguchi D14/126
D587,761 S * 3/2009 Grimshaw D20/39
D637,169 S * 5/2011 Kim D14/126

(Continued)

OTHER PUBLICATIONS

Digital AV Magazine. Digital signage for the future of LG in ISE 2018: transparent, flexible and without edges. Feb. 8, 2018. <URL: <https://www.digitalavmagazine.com/en/2018/02/08/lg-exhibe-carteleria-del-futuro-ise-2018/>>. (Year: 2018).*

(Continued)

Primary Examiner — George D. Kirschbaum
Assistant Examiner — Darcey E Gottschalk
(74) *Attorney, Agent, or Firm* — Birch, Stewart, Kolasch & Birch, LLP

(57) **CLAIM**

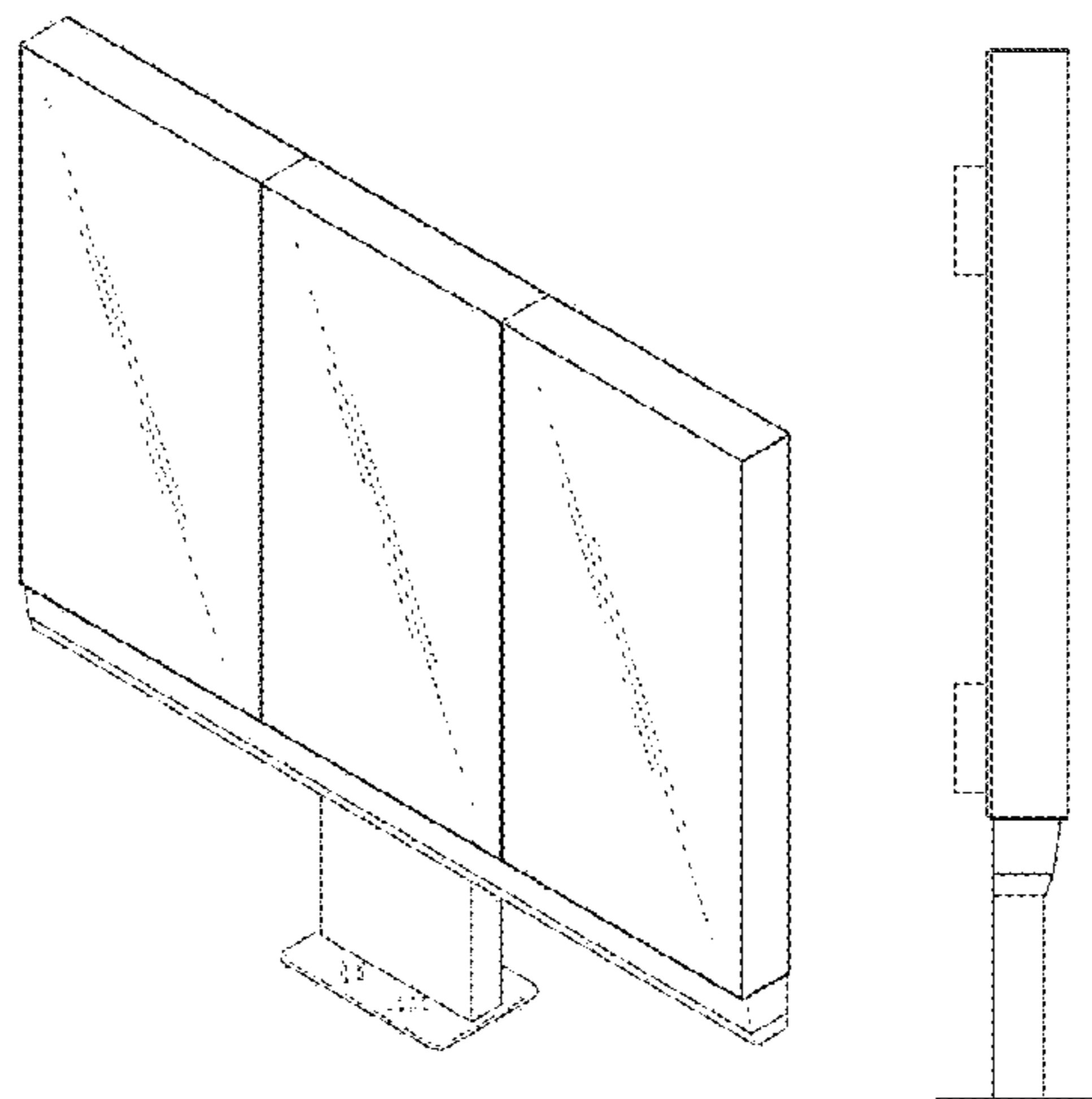
The ornamental design for a digital signage, as shown and described.

DESCRIPTION

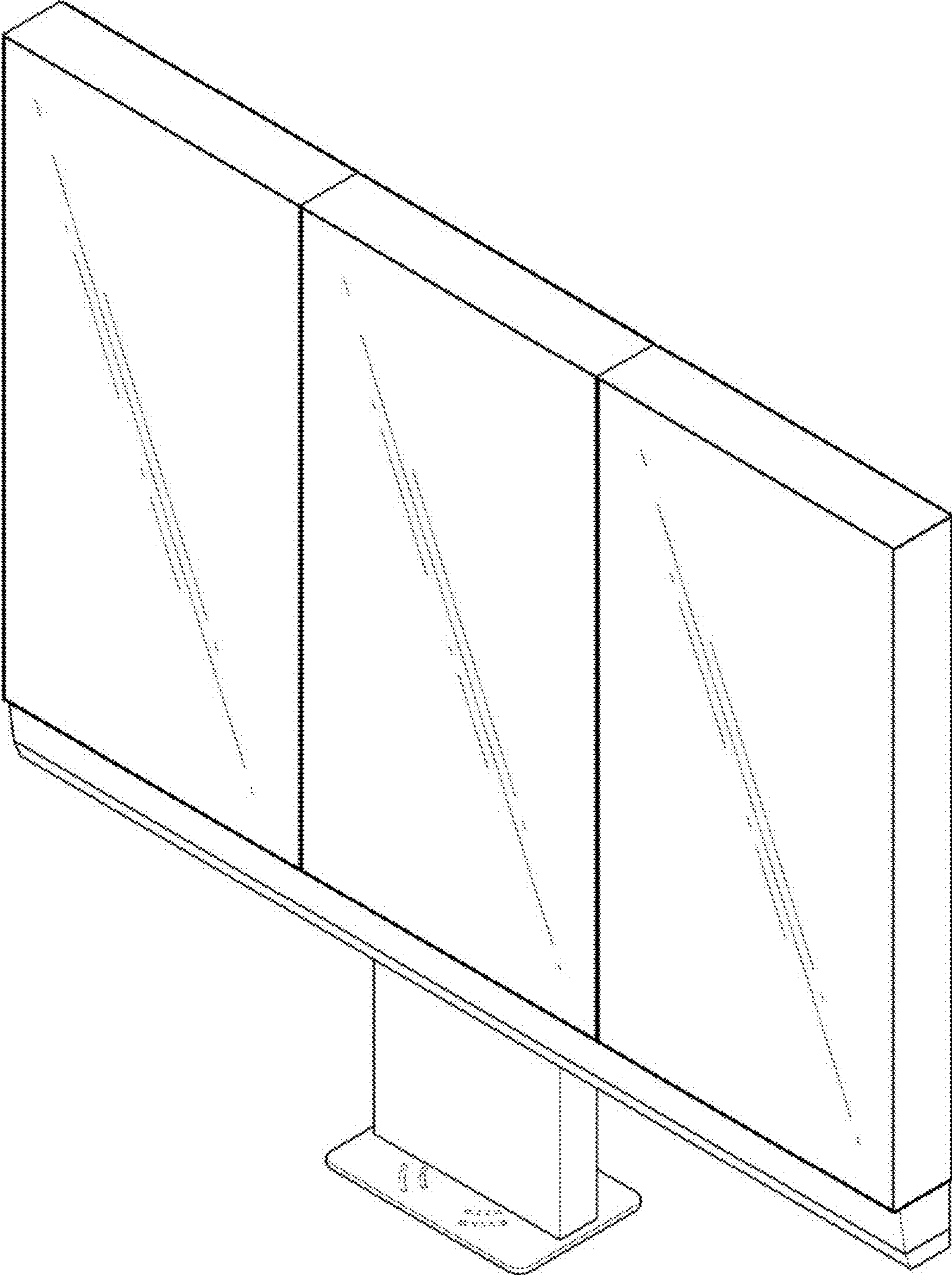
- 1. Digital signage
- 1.1 : Perspective
- 1.2 : Front
- 1.3 : Back
- 1.4 : Left
- 1.5 : Right
- 1.6 : Top
- 1.7 : Bottom

The broken lines indicate unclaimed portion of the article that form no part of the claimed design.

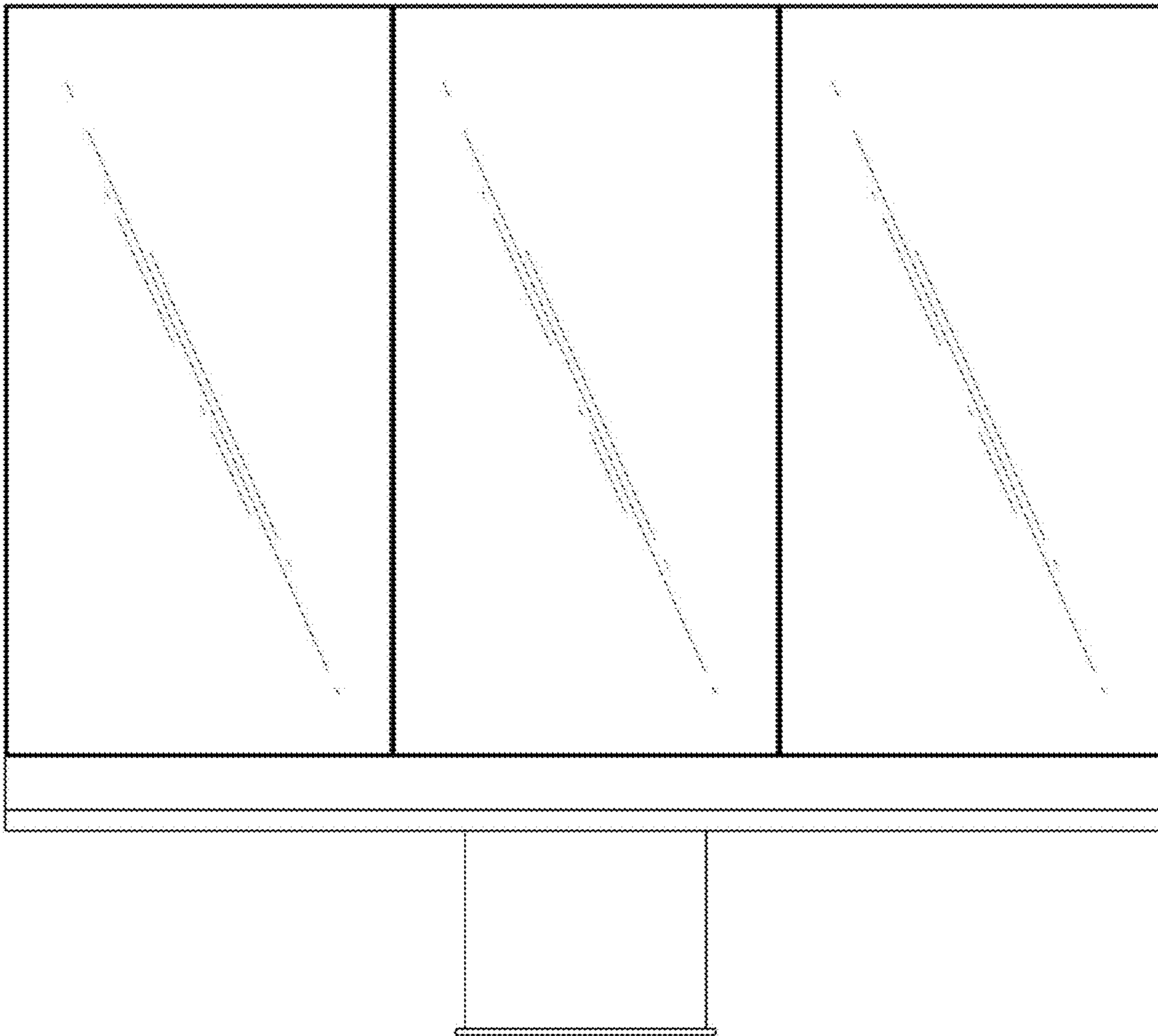
1 Claim, 7 Drawing Sheets



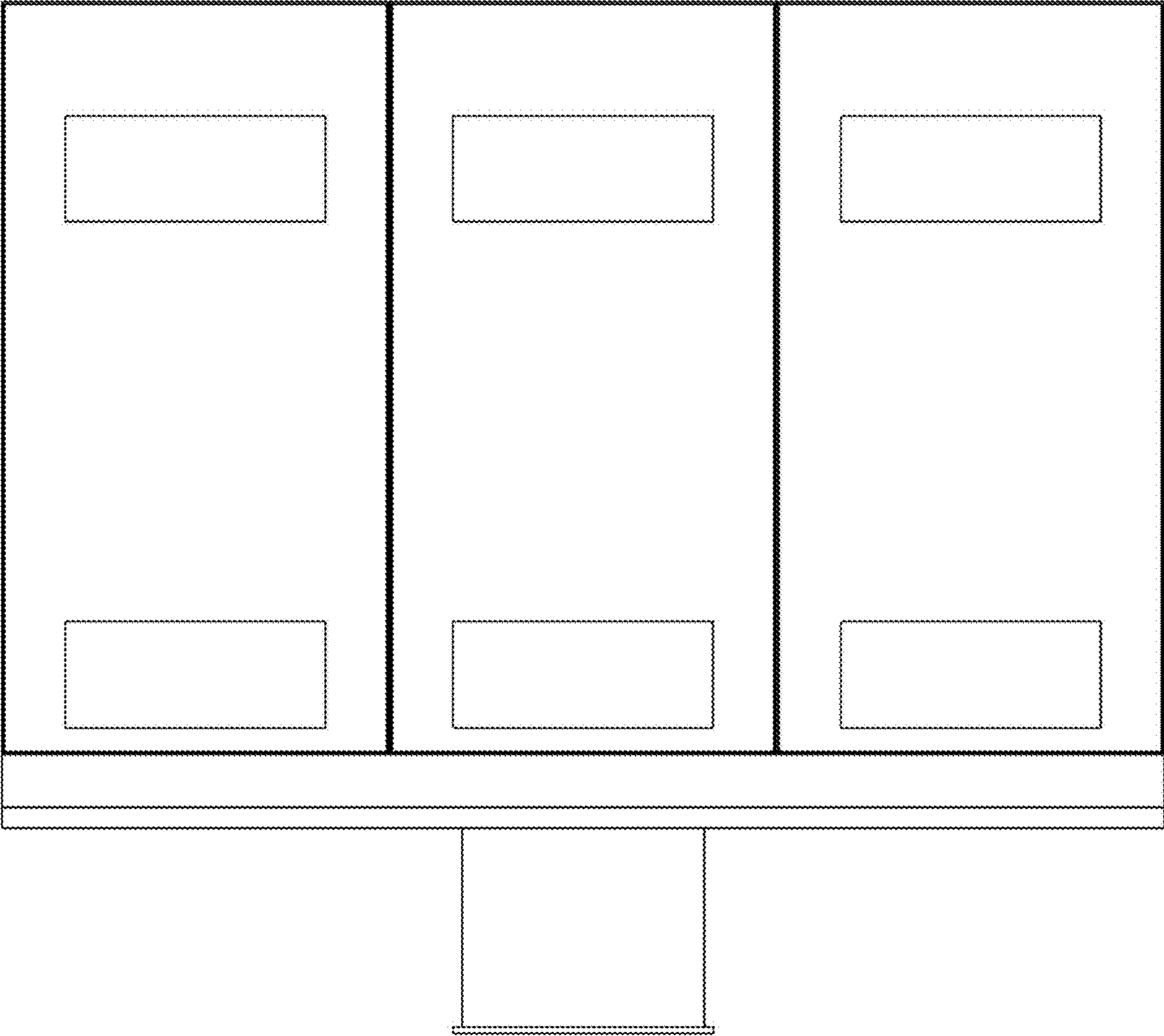
1.1



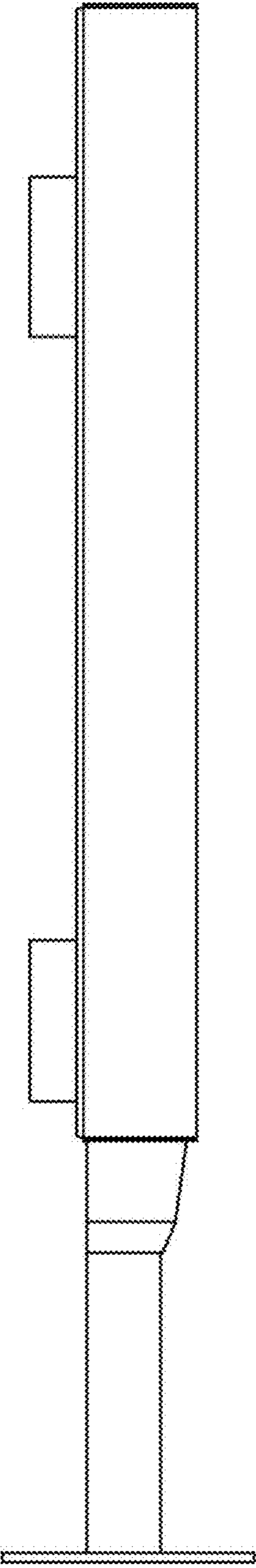
1.2



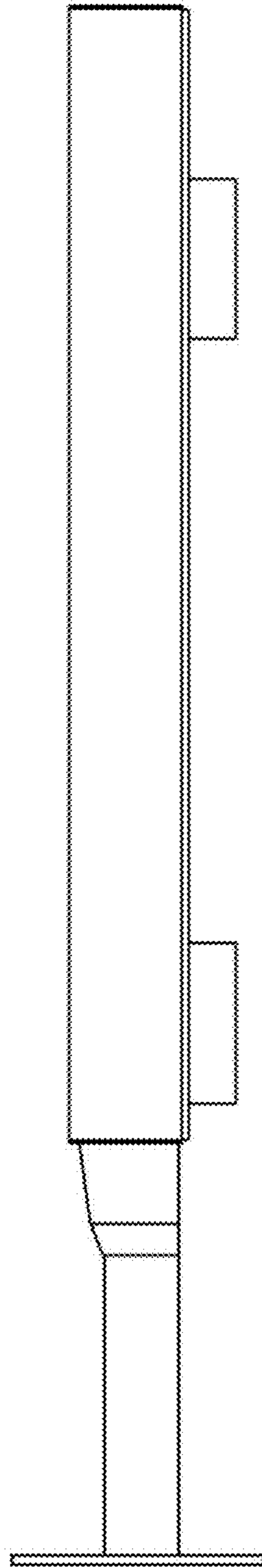
1.3



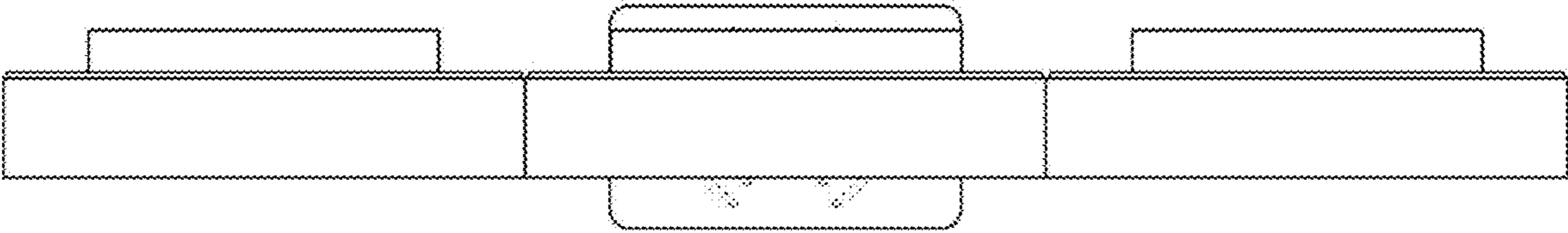
1.4



1.5



1.6



1.7

