



US00D853489S

(12) **United States Design Patent**  
**Nakata**

(10) **Patent No.:** **US D853,489 S**

(45) **Date of Patent:** **\*\* Jul. 9, 2019**

(54) **BALLPOINT PEN**

(71) Applicant: **KOTOBUKI & CO., LTD.**,  
Kawagoe-shi (JP)

(72) Inventor: **Takaaki Nakata**, Kawagoe (JP)

(73) Assignee: **KOTOBUKI & CO., LTD.**,  
Saitama-Ken (JP)

(\*\*) Term: **15 Years**

(21) Appl. No.: **29/621,597**

(22) Filed: **Oct. 10, 2017**

(30) **Foreign Application Priority Data**

Apr. 14, 2017 (WO) ..... DM/095839

(51) **LOC (11) Cl.** ..... **19-06**

(52) **U.S. Cl.**  
USPC ..... **D19/173**

(58) **Field of Classification Search**  
USPC ..... D19/115-204; D14/411  
CPC . B43K 5/005; B43K 7/12; B43K 8/04; B43K  
8/06; B43K 19/00; B43K 19/02; B43K  
19/14; B43K 21/006; B43K 21/06  
See application file for complete search history.

(56) **References Cited**

**U.S. PATENT DOCUMENTS**

D338,039 S *	8/1993	Takahashi	.....	401/6
D394,455 S *	5/1998	Izushima	.....	D19/174
D394,875 S *	6/1998	Izushima	.....	D19/173
D397,150 S *	8/1998	Izushima	.....	D19/174
D397,723 S *	9/1998	Izushima	.....	D19/171
D402,695 S *	12/1998	Izushima	.....	D19/174
D405,468 S *	2/1999	Izushima	.....	D19/173
D410,030 S *	5/1999	Sunaga	.....	401/6
D417,699 S *	12/1999	Izushima	.....	D19/174

D444,498 S *	7/2001	Izushima	.....	D19/174
D444,500 S *	7/2001	Izushima	.....	D19/174
D448,804 S *	10/2001	Izushima	.....	D19/174
D487,774 S *	3/2004	Keda	.....	D19/174
D501,030 S *	1/2005	Lecce	.....	D19/171
D589,559 S *	3/2009	Slemp	.....	D19/169
D603,899 S *	11/2009	Suero, Jr.	.....	D19/174
D604,362 S *	11/2009	Suero, Jr.	.....	D19/174
D612,425 S *	3/2010	Suero, Jr.	.....	D19/171
D651,243 S *	12/2011	Yuan	.....	D19/173
D662,985 S *	7/2012	Liu	.....	D19/173
D777,836 S *	1/2017	Schnug	.....	D19/173
9,844,973 B2 *	12/2017	Ito	.....	B43K 7/02

**OTHER PUBLICATIONS**

Notification of Refusal of Japanese Design Application No. 2017-500400, dated Nov. 21, 2017, 8 pgs.

(Continued)

*Primary Examiner* — Elizabeth A. Albert

(74) *Attorney, Agent, or Firm* — Frost Brown Todd LLC

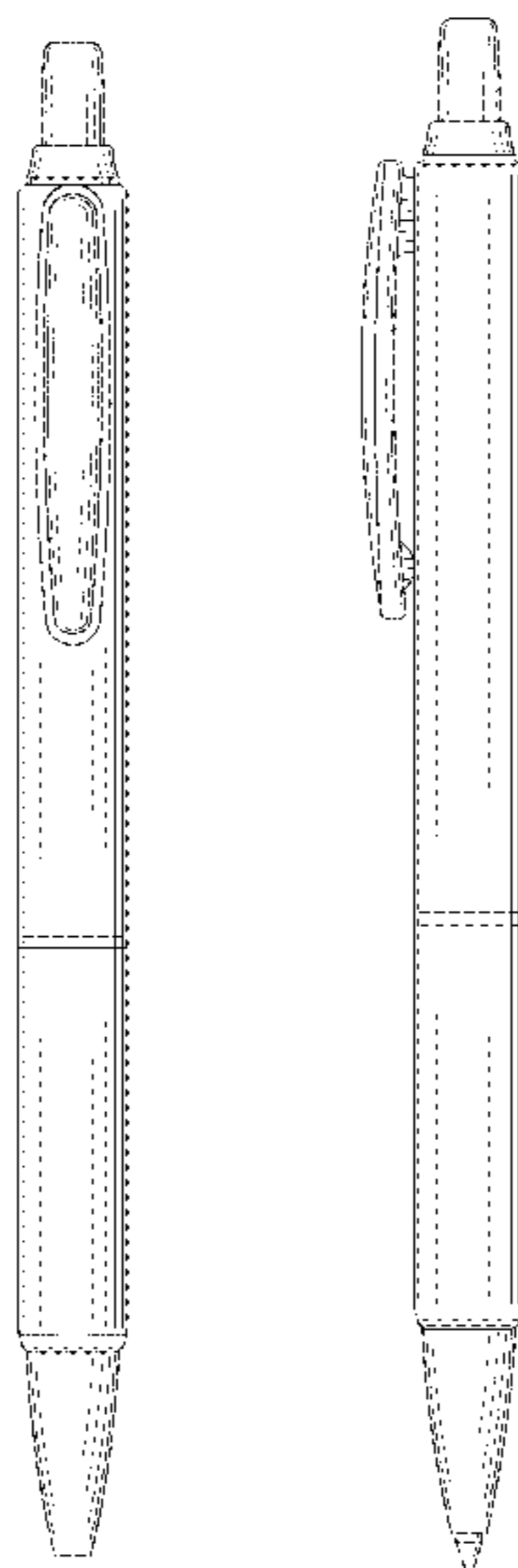
(57) **CLAIM**

The ornamental design for a ballpoint pen, as shown and described.

**DESCRIPTION**

FIG. 1 is a perspective view of a ballpoint pen showing my new design;  
FIG. 2 is a front view thereof, the back view being a mirror image of the front view;  
FIG. 3 is a left side view thereof;  
FIG. 4 is a right side view thereof;  
FIG. 5 is an enlarged top view thereof;  
FIG. 6 is an enlarged bottom view thereof;  
FIG. 7 is an enlarged front view of a portion thereof identified by the broken line in FIG. 2; and,  
FIG. 8 is a front view of FIG. 1 with the writing tip ejected.

**1 Claim, 7 Drawing Sheets**



(56)

**References Cited**

OTHER PUBLICATIONS

Legend, Design of Ballpoint Pen, published Aug. 31, 2005 by The National Center for Industrial Property Information and Training (INPIT), p. 4, JPO Design Department Publicly Known Information Reference No. HD17017204, 1 pg.

\* cited by examiner

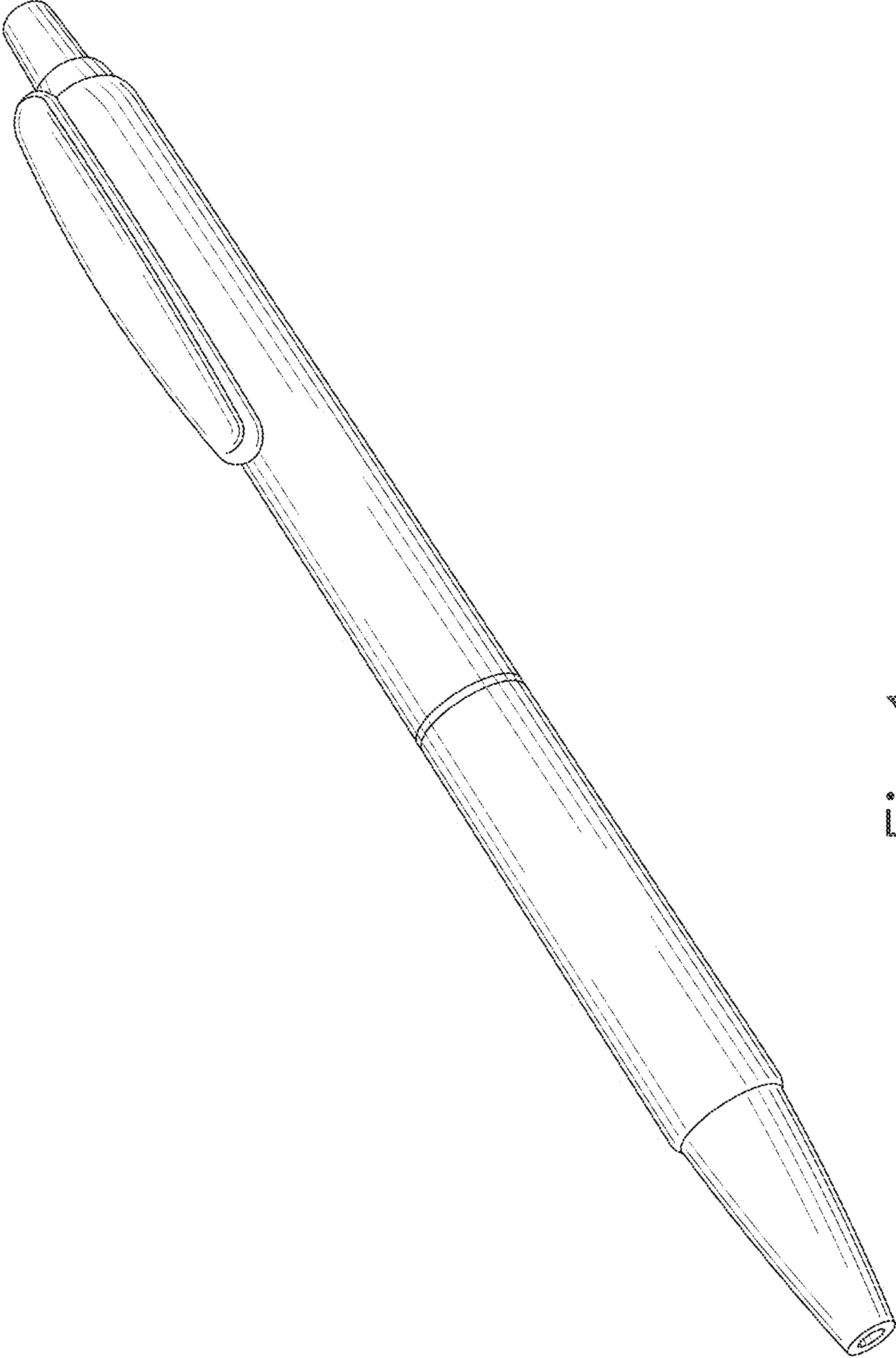


Fig. 1

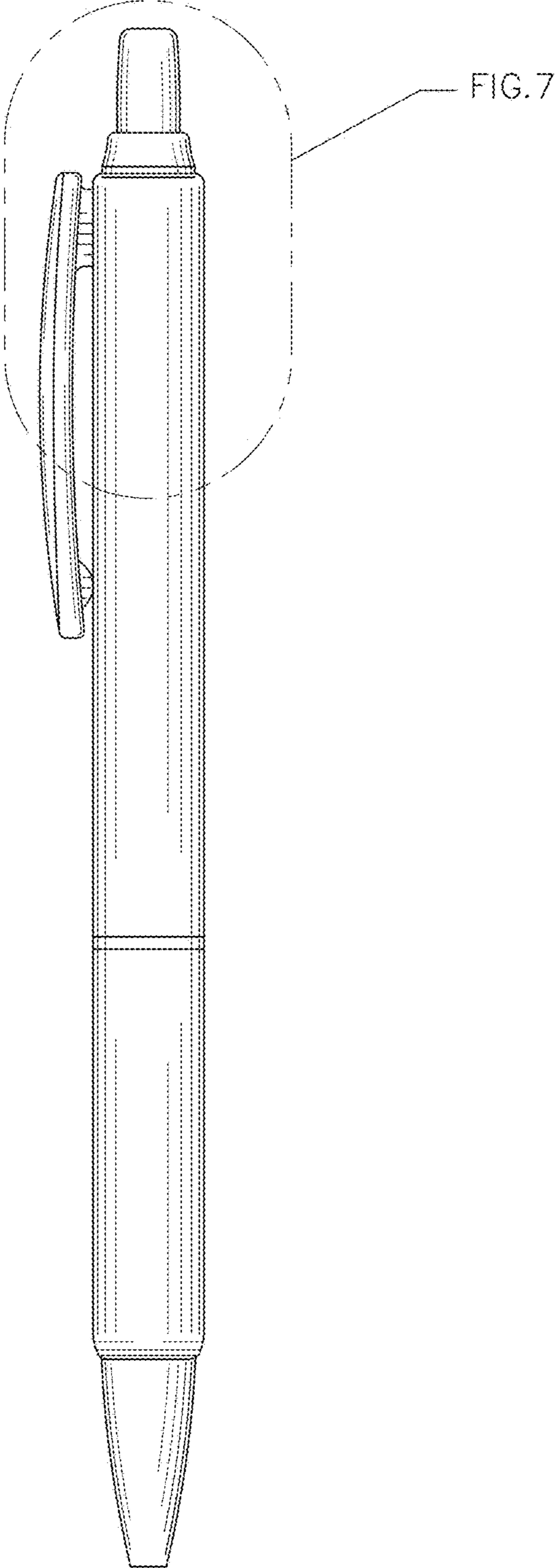


Fig. 2

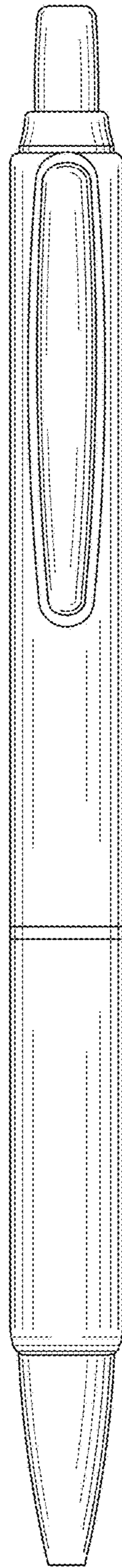


Fig. 3

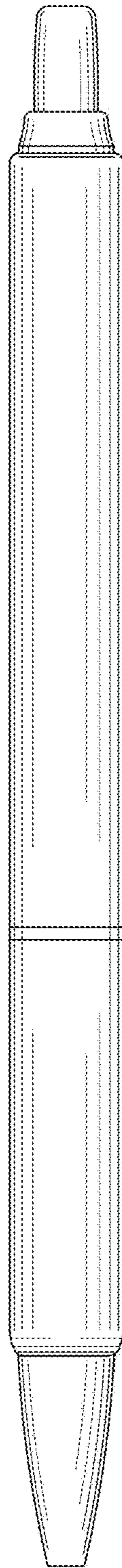


Fig. 4

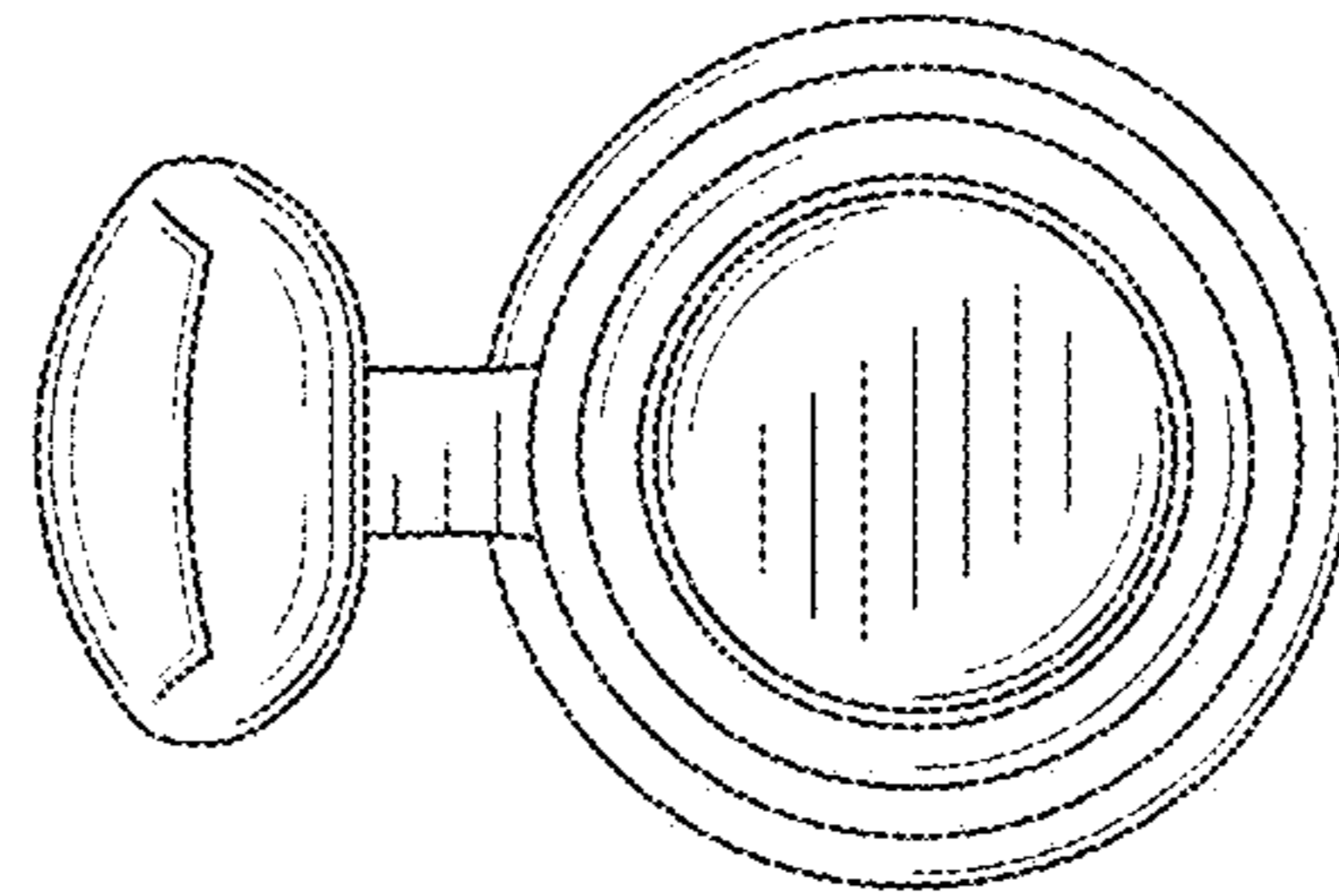


Fig. 5

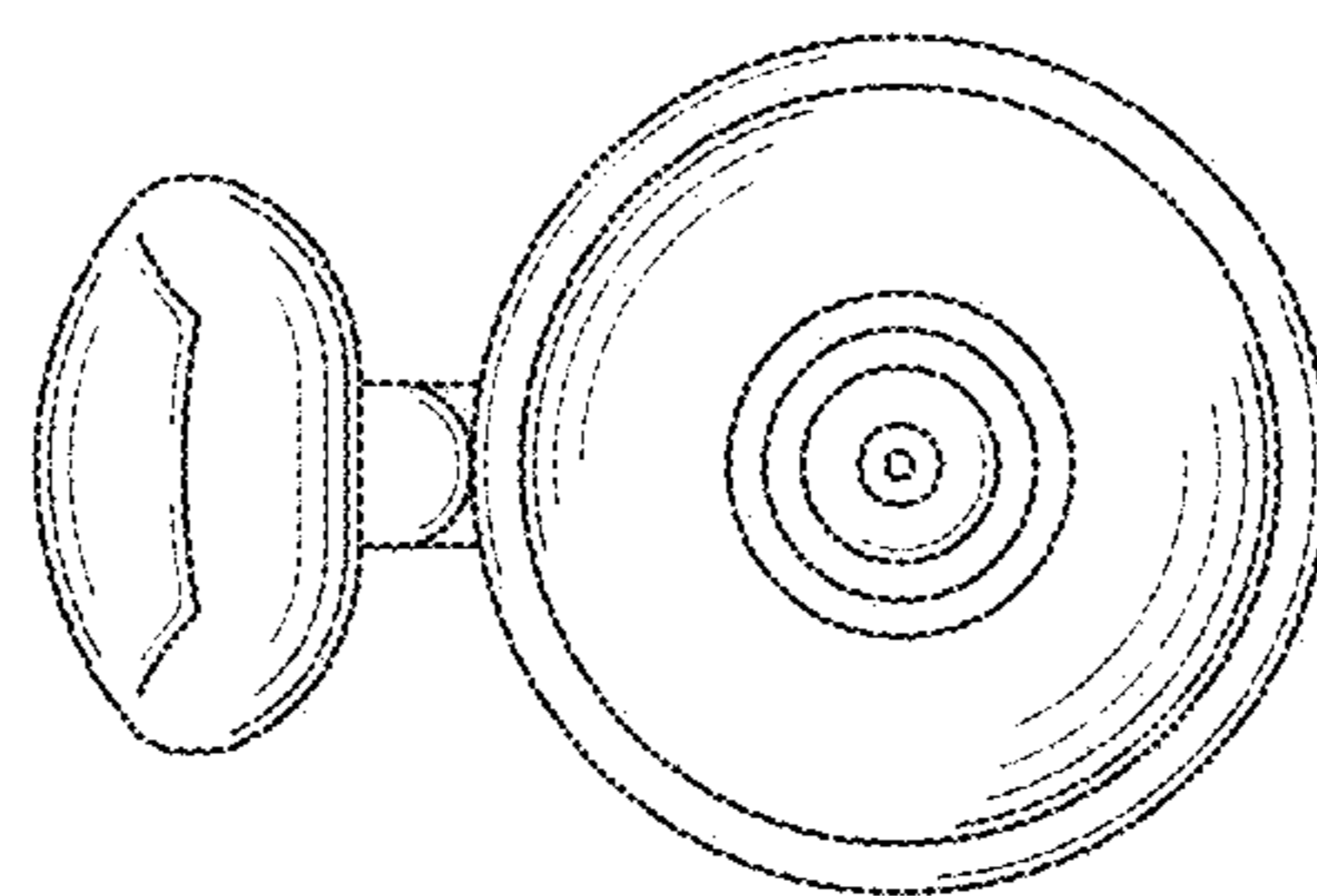


Fig. 6

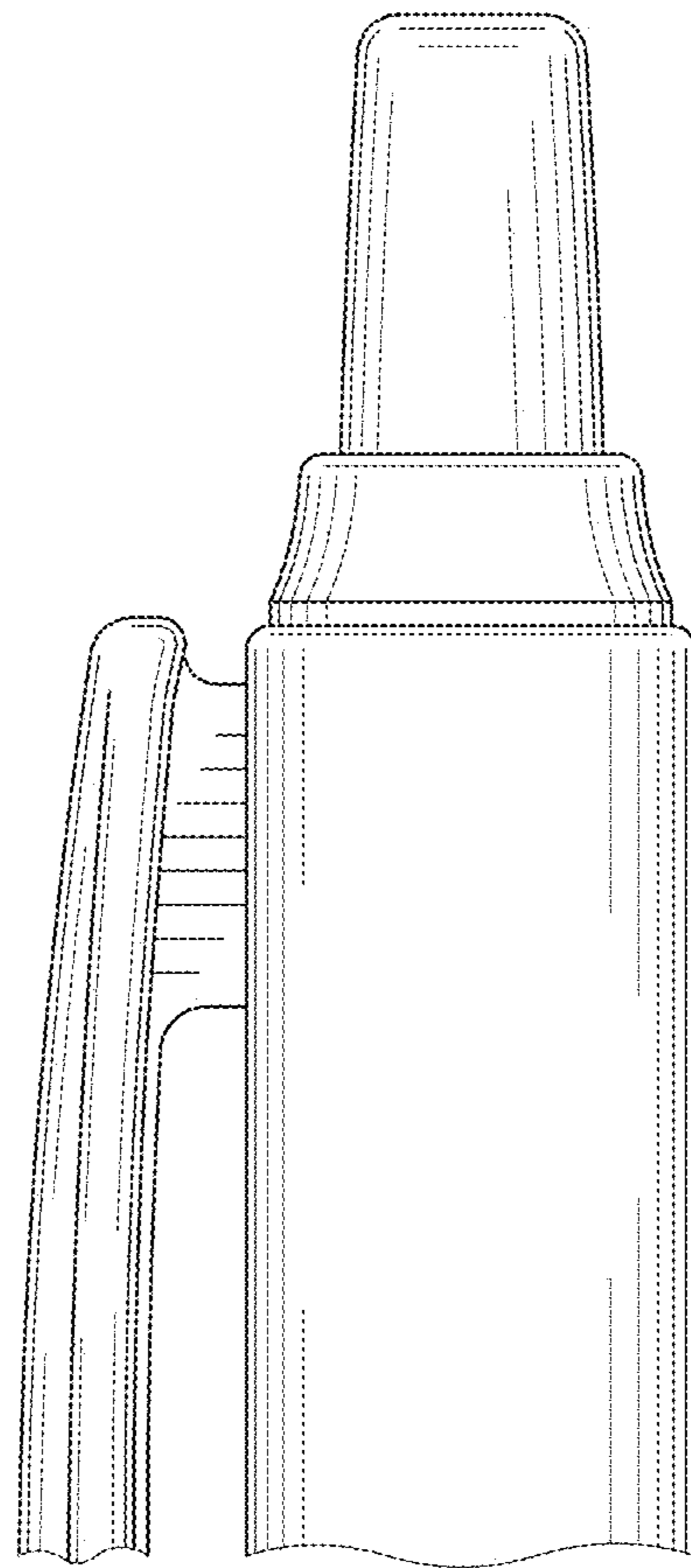


Fig. 7



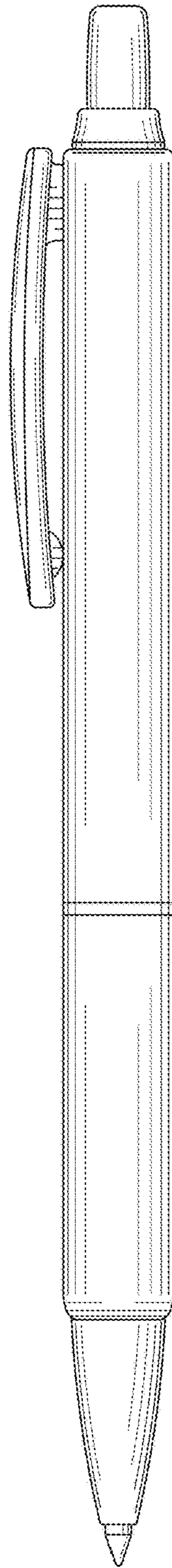


Fig. 8