



US00D853488S

(12) **United States Design Patent** (10) **Patent No.:** **US D853,488 S**
Costas (45) **Date of Patent:** **** Jul. 9, 2019**

(54) **DRY ERASE BOARD WITH NOTE HOLDER**

FOREIGN PATENT DOCUMENTS

(71) Applicant: **Trophius Pty Ltd.**, Cremorne (AU)

AU 346443 1/2013
AU 346543 1/2013

(72) Inventor: **Eric Costas**, Cremorne (AU)

OTHER PUBLICATIONS

(73) Assignee: **Trophius Pty Ltd.**, Cremorne (AU)

(**) Term: **15 Years**

“Office Depot Brand 4-Piece Stainless Steel Magnet Hook Set, Assorted Shapes (No Shape Choice)”; Office Depot; disclosure date unknown but prior to date of filing the present application; URL: <<http://www.officedepot.com/a/products/352108/Office-Depot-Brand-4-Piece-Stainless/>>.

(21) Appl. No.: **29/584,550**

(22) Filed: **Nov. 15, 2016**

(51) **LOC (11) Cl.** **19-06**

Primary Examiner — Derrick E Holland

(52) **U.S. Cl.**

Assistant Examiner — Andrew Kerr

USPC **D19/113**

(74) *Attorney, Agent, or Firm* — Banner & Witcoff, Ltd.

(58) **Field of Classification Search**

USPC D8/349, 394, 395; D19/113, 114, 75, 77, D19/20, 21, 22, 1, 2, 100, 101, 102, 65, D19/86, 88, 90, 91; D20/10, 19, 27, 39, D20/41; D6/300; D14/448
CPC B43L 1/00; B43L 1/04; B43L 1/06; B43L 1/10; B43L 3/00; B43L 3/008; B43L 5/00; G06F 15/00; G06F 15/0006; G06F 15/0018; G06F 15/0056; G09F 15/00; G09F 15/0018; F16B 5/121

(57) **CLAIM**

See application file for complete search history.

The ornamental design for a dry erase board with note holder, as shown and described.

DESCRIPTION

(56) **References Cited**

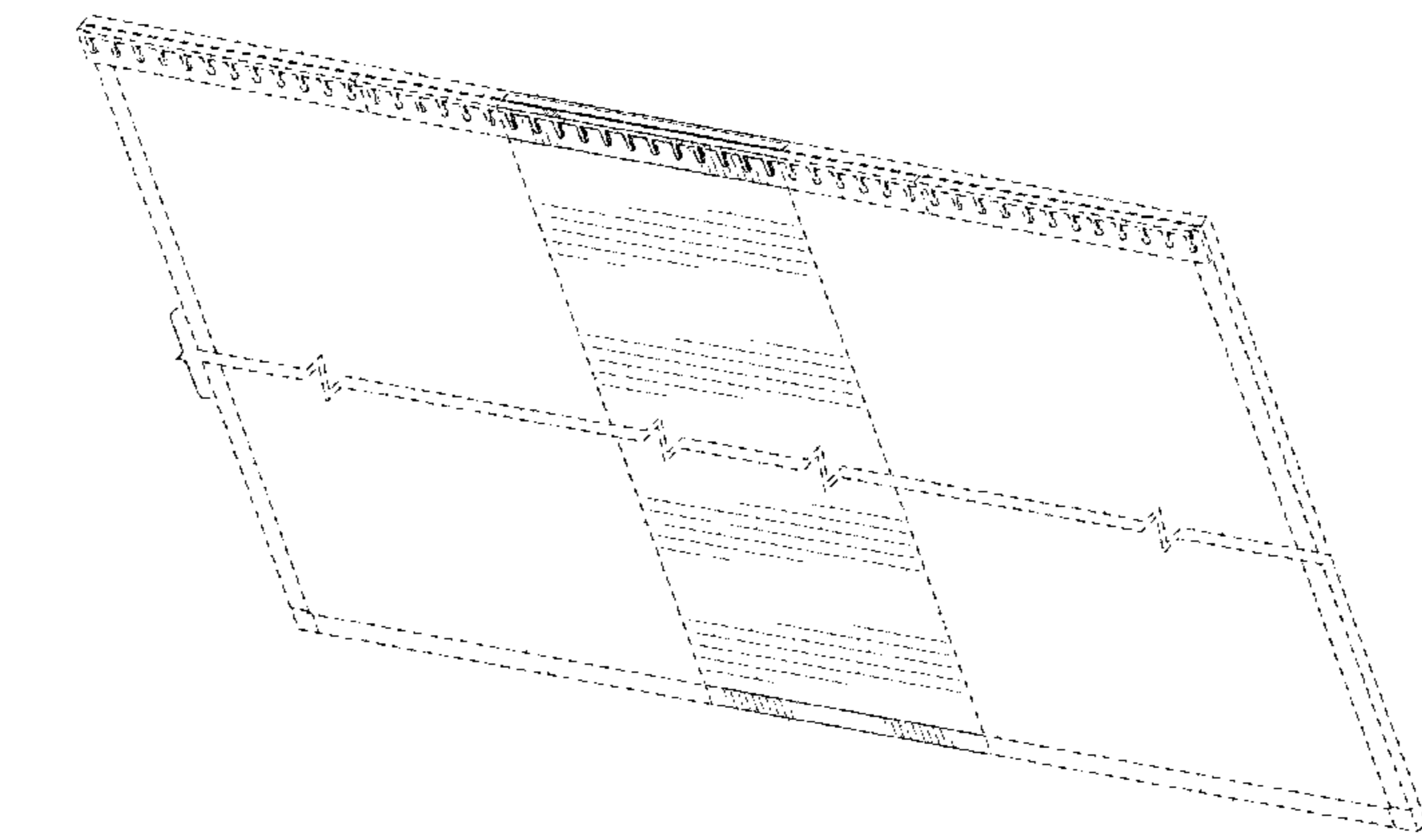
U.S. PATENT DOCUMENTS

3,363,341	A	1/1968	Glassman	
D244,017	S	4/1977	Bott	
D251,124	S	2/1979	Takeuchi	
D327,095	S	6/1992	Meyer	
5,176,522	A *	1/1993	Robertson, Jr. B43L 1/00 434/408
5,397,091	A	3/1995	Tsuar	
D413,146	S	8/1999	Moore	
D435,593	S	12/2000	Hellwig et al.	
D451,134	S	11/2001	Fonfeder	
D487,289	S	3/2004	Richter	
D496,068	S	9/2004	Mandel	
D507,302	S	7/2005	Chen et al.	
D507,812	S *	7/2005	Cesaroni D19/113

FIG. 1 is a front perspective view of a dry erase board with note holder showing my new design; FIG. 2 is a front view thereof; FIG. 3 is an enlarged depiction of the claimed region of FIG. 1; and, FIG. 4 is an enlarged depiction of the claimed region of FIG. 2.

The broken lines immediately adjacent to the shaded areas of the dry erase board with note holder define the bounds of the claimed design and form no part thereof. The broken lines depicting the remainder of the dry erase board with note holder show features that form no part of the claimed design. The dry erase board with note holder is shown with a symbolic break in its length. The appearance of any portion of the article between the breaks forms no part of the claimed design.

1 Claim, 4 Drawing Sheets



(Continued)

(56)

References Cited

U.S. PATENT DOCUMENTS

D521,068 S 5/2006 Newbould
 7,040,051 B2 5/2006 Windorski
 D586,396 S 2/2009 Kang
 D589,089 S 3/2009 Loerakker et al.
 D589,560 S 3/2009 Beno et al.
 D593,156 S 5/2009 Vasconcelos
 D594,062 S 6/2009 Loerakker
 D607,058 S * 12/2009 Kim D19/86
 D617,565 S * 6/2010 Mischel, Jr. D6/300
 D623,227 S * 9/2010 Hoch D19/113
 D623,693 S * 9/2010 Hoch D19/113
 D629,043 S 12/2010 Beno et al.
 7,874,842 B2 1/2011 Beno
 D645,515 S 9/2011 Williams, Sr.
 D667,413 S * 9/2012 Song D14/448
 D669,532 S 10/2012 Killian
 D669,533 S 10/2012 Okabe et al.
 D672,817 S 12/2012 Butmir et al.
 D683,403 S 5/2013 Vasconcelos
 D690,361 S 9/2013 Kang
 D705,356 S 5/2014 Kang
 D715,859 S 10/2014 Costas
 D715,860 S 10/2014 Costas
 D715,861 S 10/2014 Costas

D716,377 S 10/2014 Costas
 D719,217 S 12/2014 Costas
 D719,218 S 12/2014 Costas
 9,090,116 B2 * 7/2015 Tunis F41H 5/08
 D747,412 S 1/2016 Sachs
 D752,145 S 3/2016 Killian
 D753,222 S 4/2016 Costas
 D755,892 S 5/2016 Costas
 D776,759 S 1/2017 Costas
 D778,356 S 2/2017 Costas
 D785,706 S 5/2017 Hoch et al.
 D787,593 S 5/2017 Robins
 D794,121 S 8/2017 Costas
 D794,122 S 8/2017 Costas
 D794,123 S 8/2017 Costas
 D794,124 S 8/2017 Costas
 D794,125 S 8/2017 Costas
 D809,599 S * 2/2018 Costas D19/113
 D809,600 S 2/2018 Anderson
 D811,478 S * 2/2018 Costas D19/86
 D818,357 S * 5/2018 Cummings D8/394
 D836,720 S 12/2018 Kang
 2005/0191611 A1 9/2005 Owen et al.
 2012/0206344 A1 8/2012 Hill et al.
 2012/0250936 A1 10/2012 Holmgren
 2013/0200228 A1 8/2013 Costas

* cited by examiner

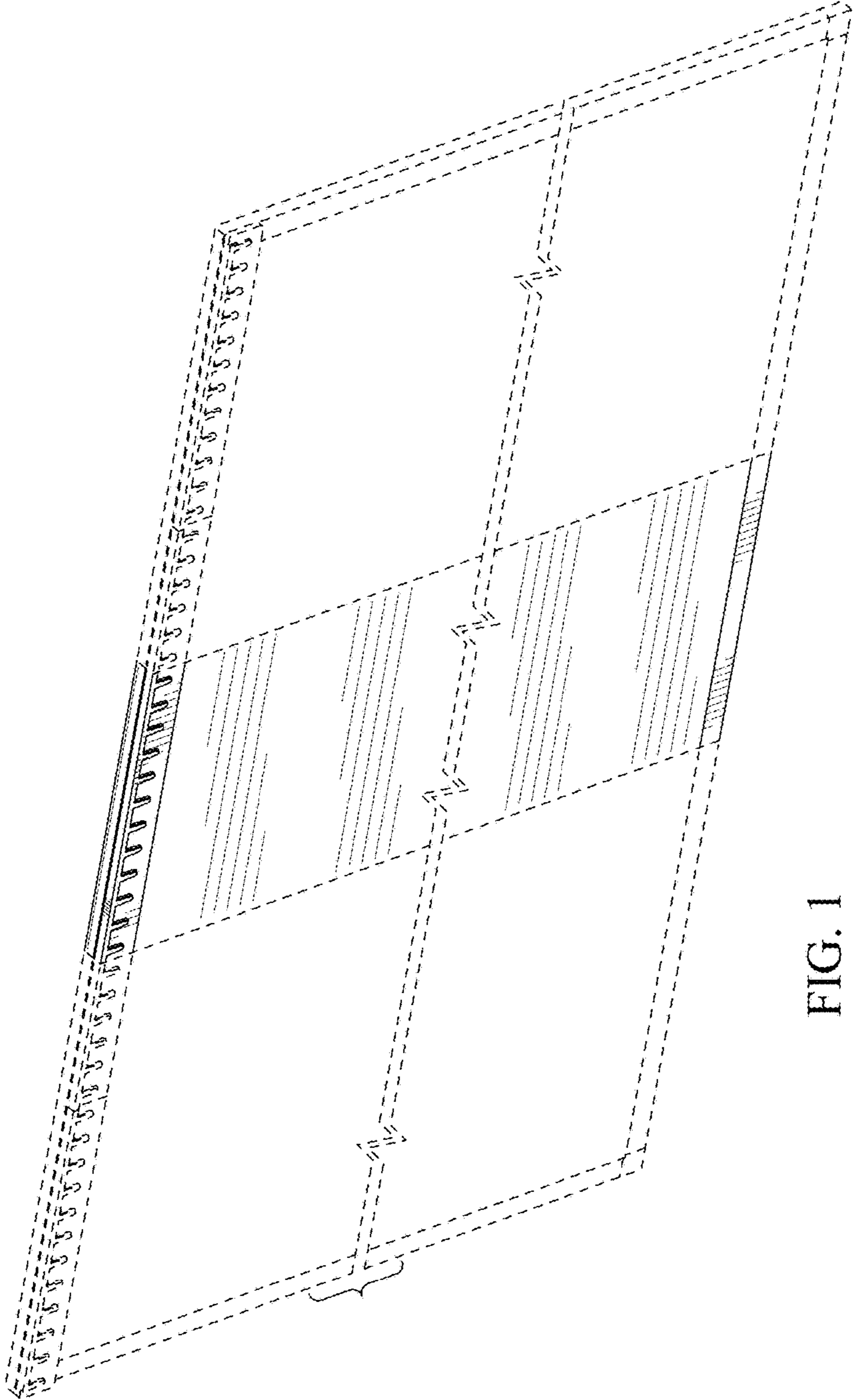


FIG. 1

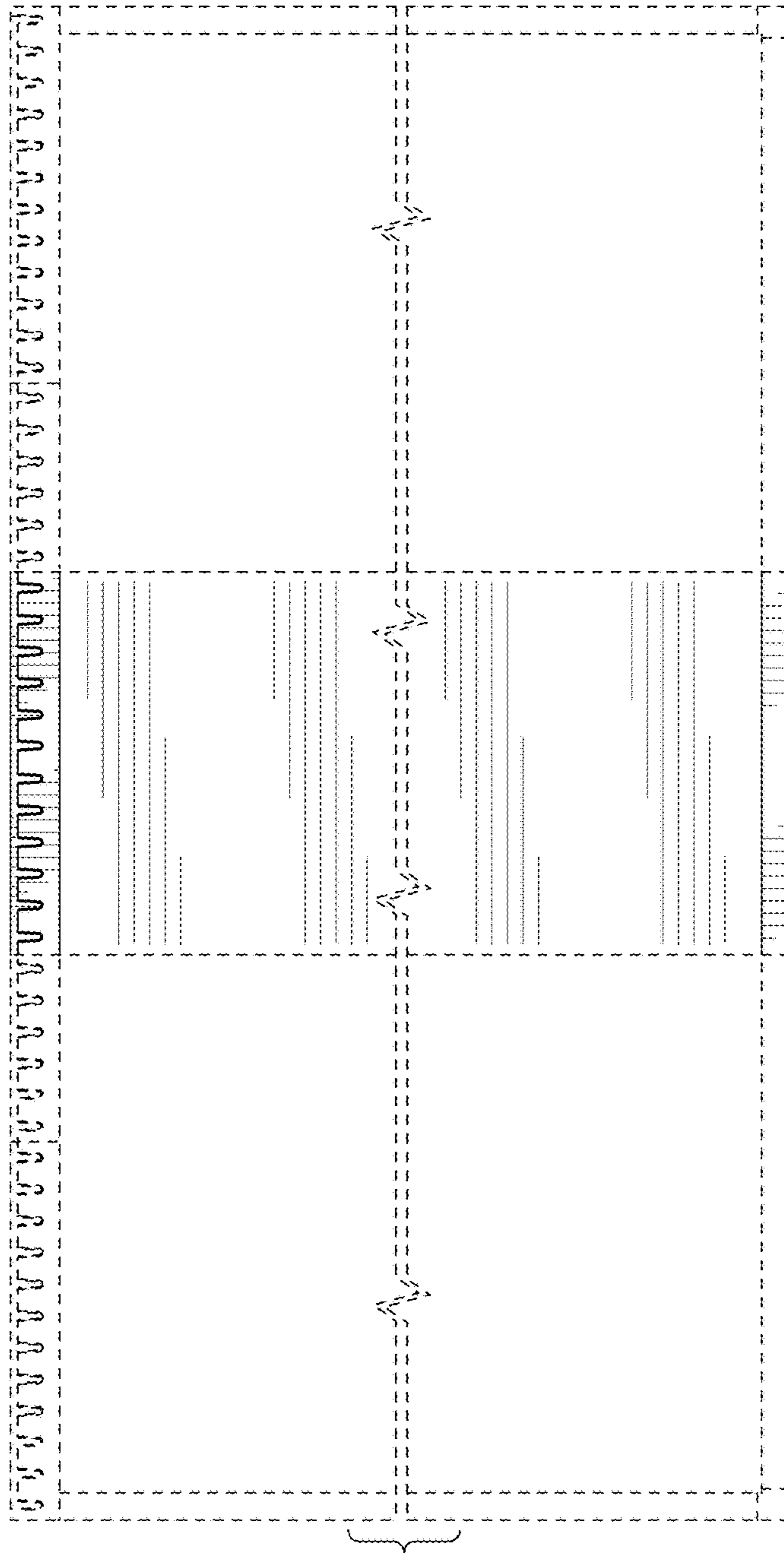


FIG. 2

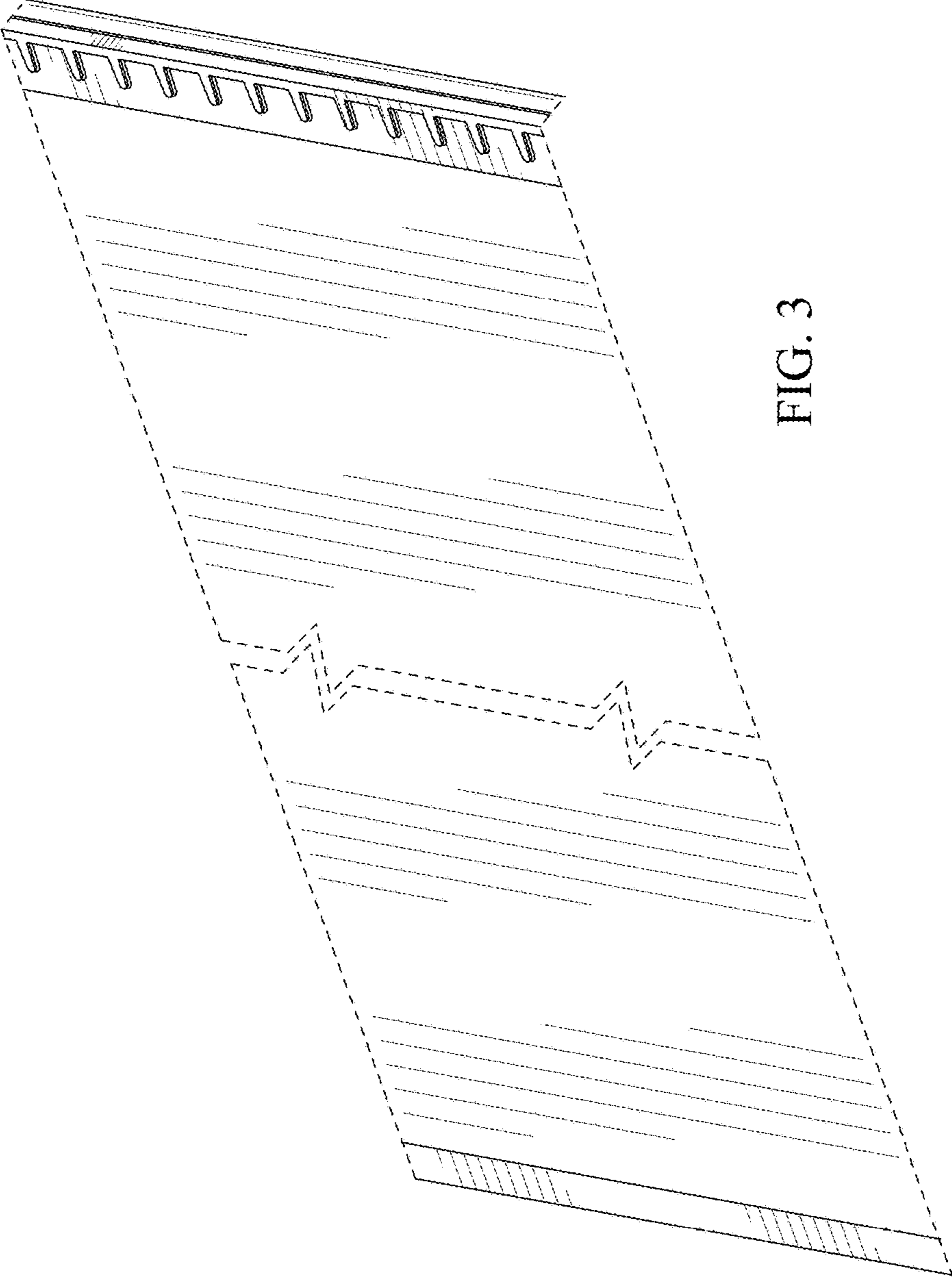


FIG. 3

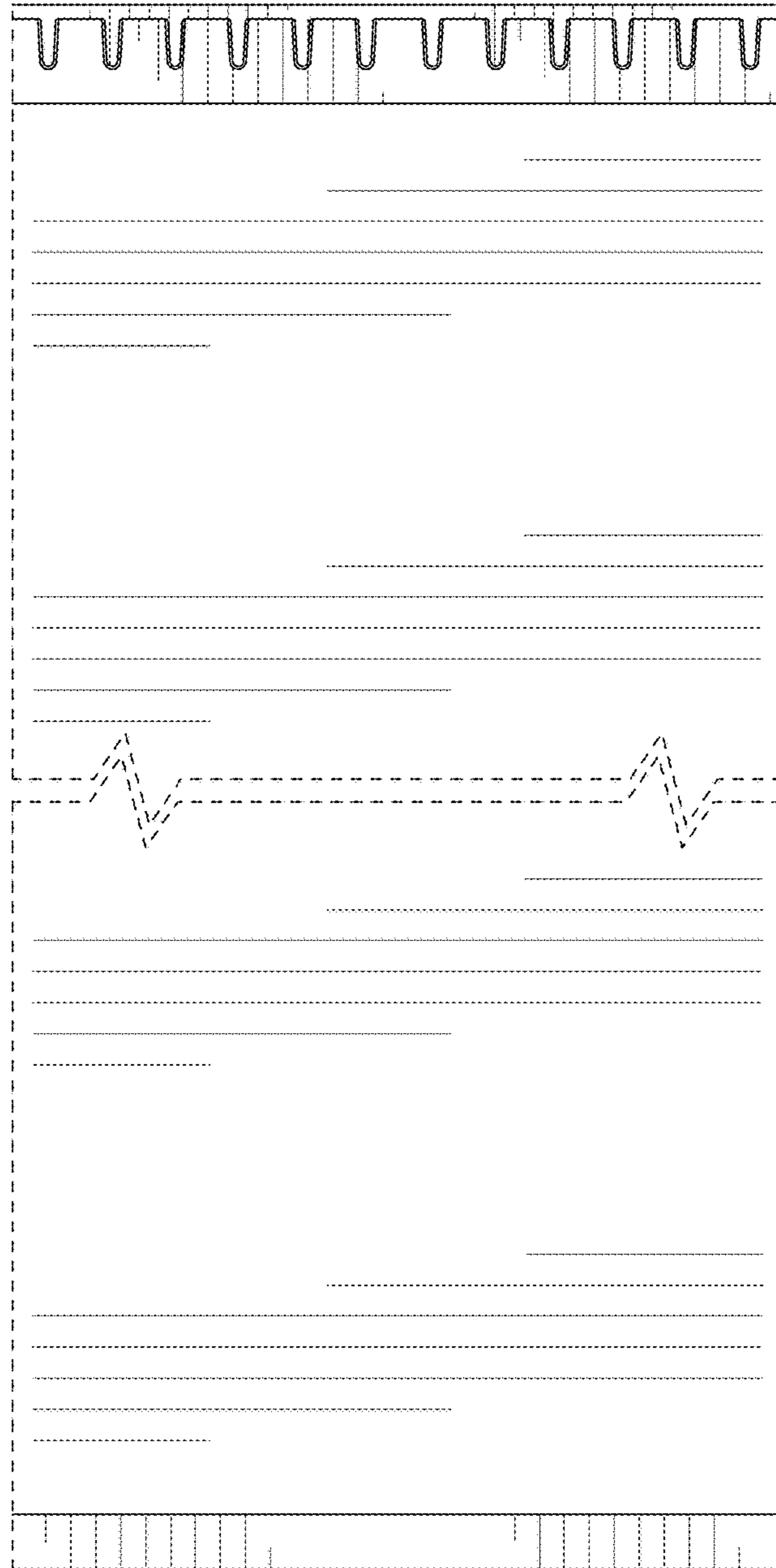


FIG. 4