



US00D853477S

(12) **United States Design Patent** (10) **Patent No.:** **US D853,477 S**  
**Ino et al.** (45) **Date of Patent:** **\*\* Jul. 9, 2019**

(54) **PRINTER**  
(71) Applicant: **OKI DATA CORPORATION**, Tokyo (JP)  
(72) Inventors: **Shiro Ino**, Tokyo (JP); **Hiroyuki Hayashi**, Tokyo (JP); **Isao Kitano**, Tokyo (JP); **Katsuhiko Yamaguchi**, Tokyo (JP); **Hiroyuki Mizuno**, Tokyo (JP)

D697,965 S \* 1/2014 Fukasawa ..... D18/55  
D699,784 S \* 2/2014 Penke ..... D18/55  
D735,268 S \* 7/2015 Sato ..... D18/55  
D765,772 S \* 9/2016 Clark, III ..... D18/55  
D800,125 S \* 10/2017 Yin ..... D14/422  
D818,534 S \* 5/2018 Mita ..... D18/55  
D822,760 S \* 7/2018 Xia ..... D18/50  
2016/0349693 A1\* 12/2016 Matsuno ..... G03G 15/1665  
2017/0087887 A1\* 3/2017 Hirata ..... B41J 11/58  
2017/0248902 A1\* 8/2017 Yamamoto ..... G03G 21/1633  
2018/0181053 A1\* 6/2018 Nguyen ..... G03G 21/1633

(73) Assignee: **OKI DATA CORPORATION**, Tokyo (JP)

\* cited by examiner

(\*\*) Term: **15 Years**

*Primary Examiner* — Robin V Webster

*Assistant Examiner* — J. Thorn, Sr.

(21) Appl. No.: **29/598,874**

(74) *Attorney, Agent, or Firm* — Ladas & Parry LLP

(22) Filed: **Mar. 29, 2017**

(30) **Foreign Application Priority Data**

Sep. 29, 2016 (JP) ..... 2016-020973

(51) **LOC (11) Cl.** ..... **18-02**

(52) **U.S. Cl.**  
USPC ..... **D18/50**

(58) **Field of Classification Search**  
USPC ..... D18/36-37, 50, 55, 53, 54.1, 39, 54;  
D14/421  
CPC ... B41J 11/00; B41J 11/58; B41J 15/00; B41J  
15/12; B41J 15/42; G03G 21/1633; G06K  
15/12  
See application file for complete search history.

(56) **References Cited**

**U.S. PATENT DOCUMENTS**

D601,186 S \* 9/2009 Kim ..... D18/55  
D653,703 S \* 2/2012 Seki ..... D18/55

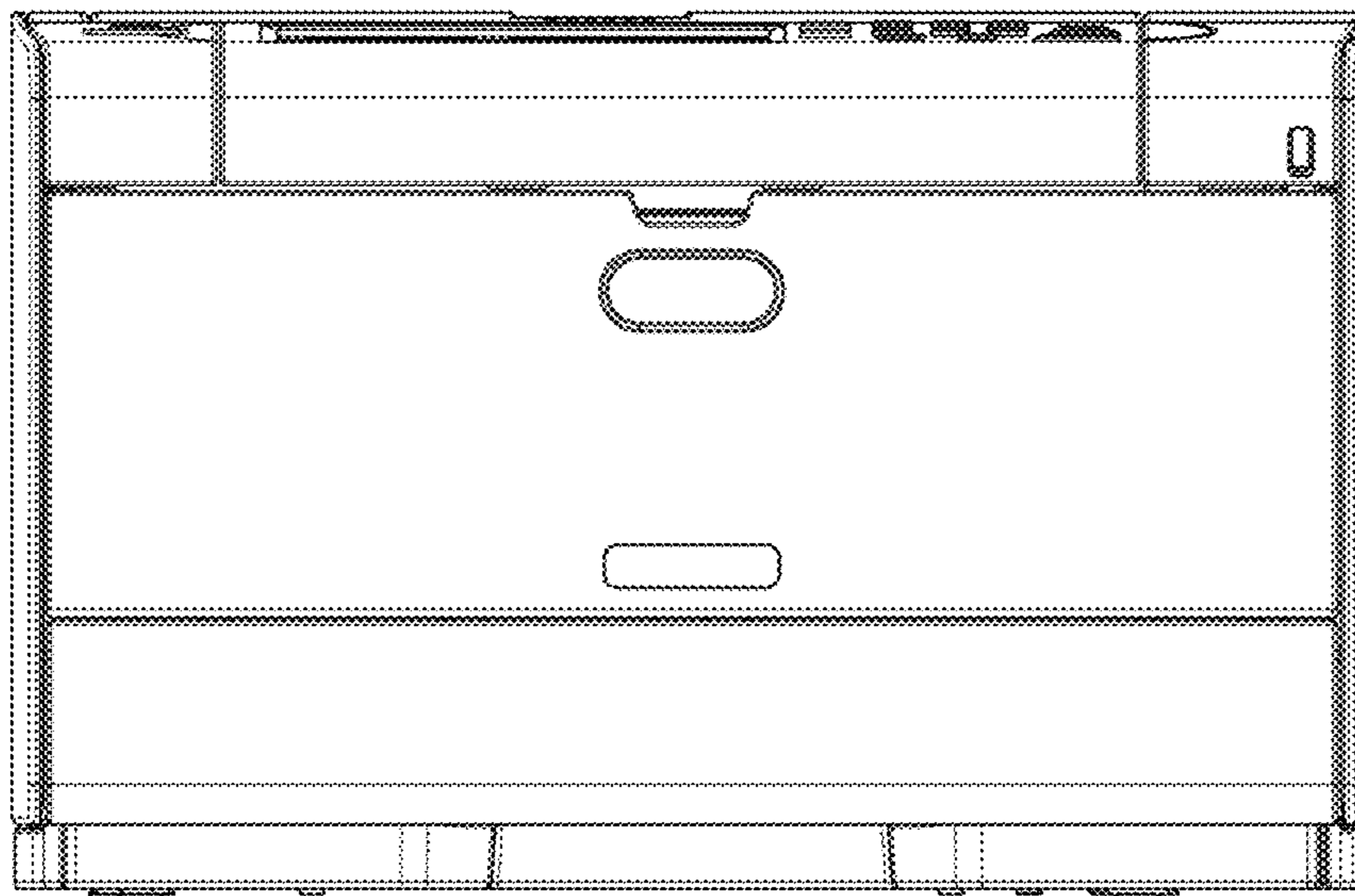
(57) **CLAIM**

We claim the ornamental design for a printer, as shown and described.

**DESCRIPTION**

FIG. 1 is a front view of a printer, showing our new design; FIG. 2 is a rear view thereof; FIG. 3 is a right-side view thereof; FIG. 4 is a left-side view thereof; FIG. 5 is a top view thereof; and, FIG. 6 is a top perspective view thereof. The broken lines in the drawings are for the purpose of illustrating unclaimed portions an form no part of the claimed design.

**1 Claim, 6 Drawing Sheets**



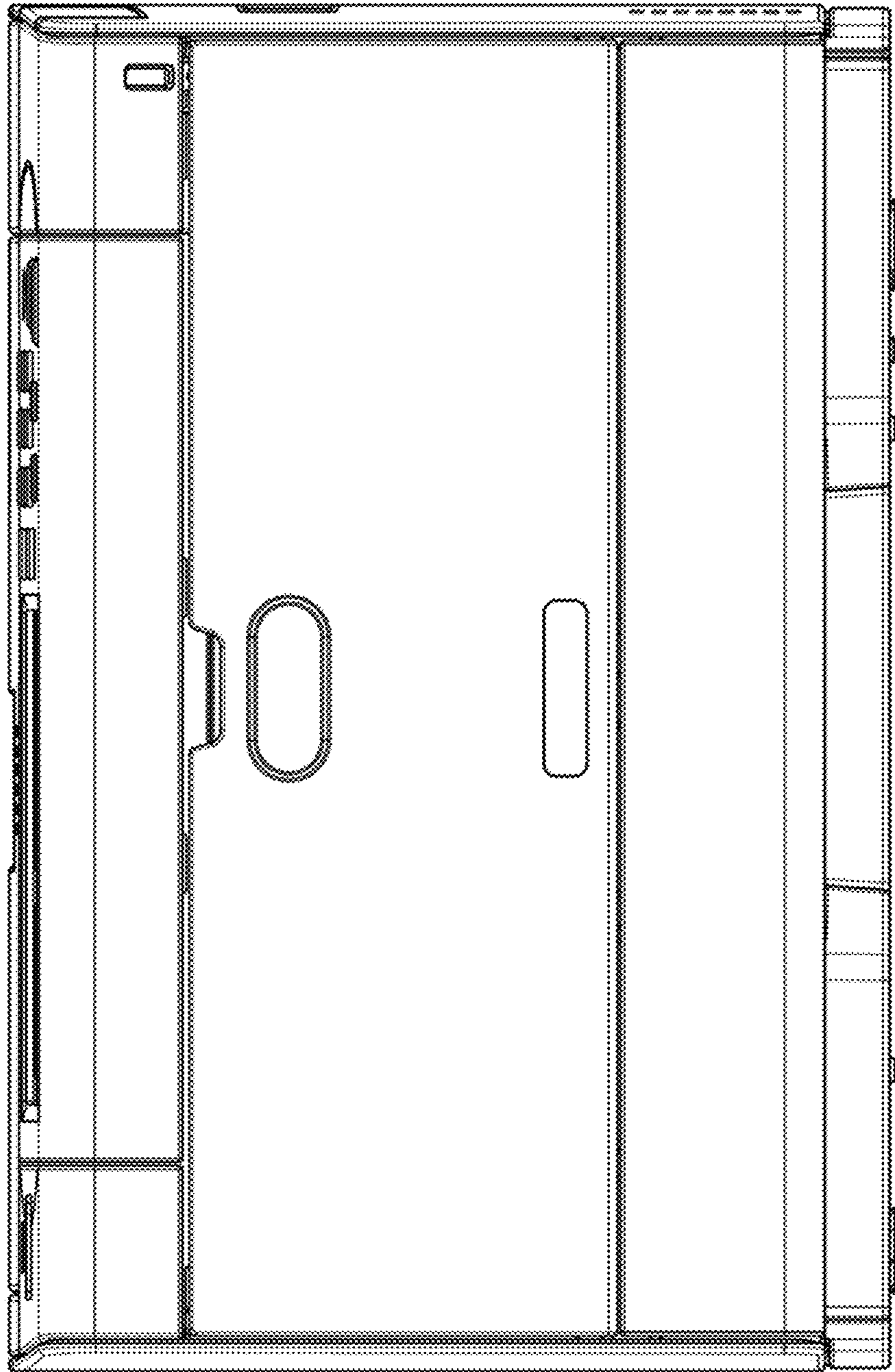


FIG. 1



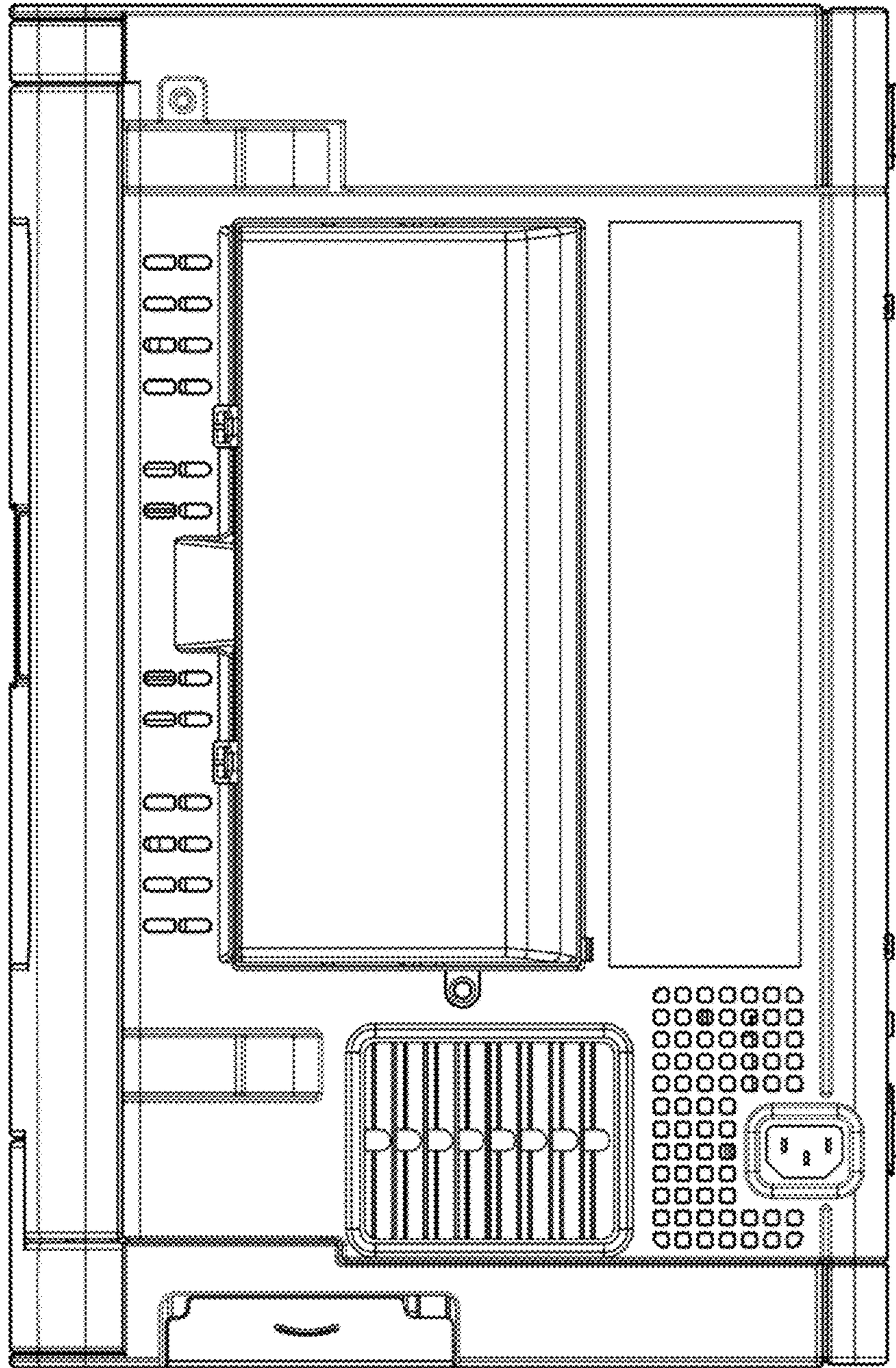


FIG. 2

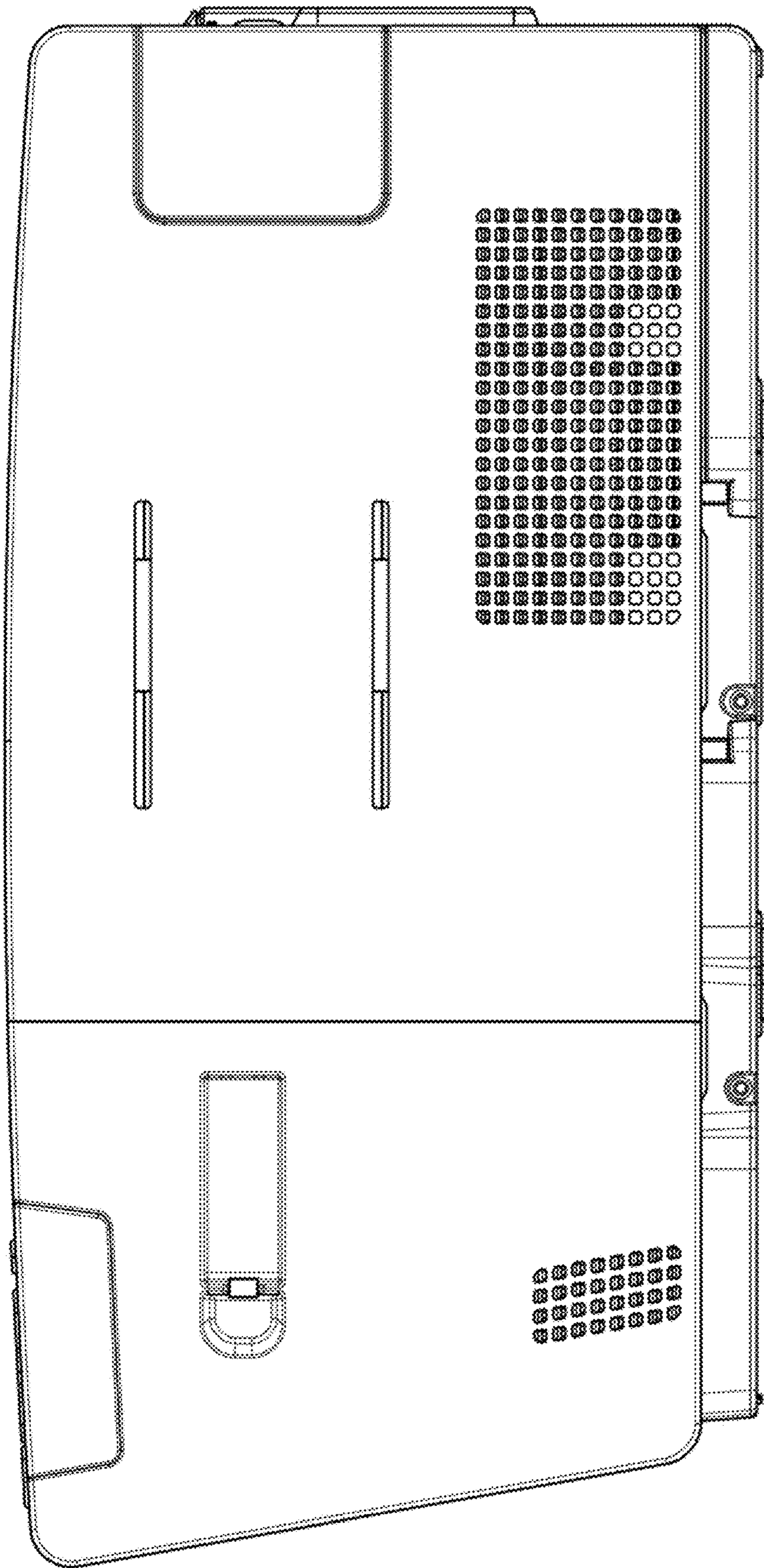


FIG. 3



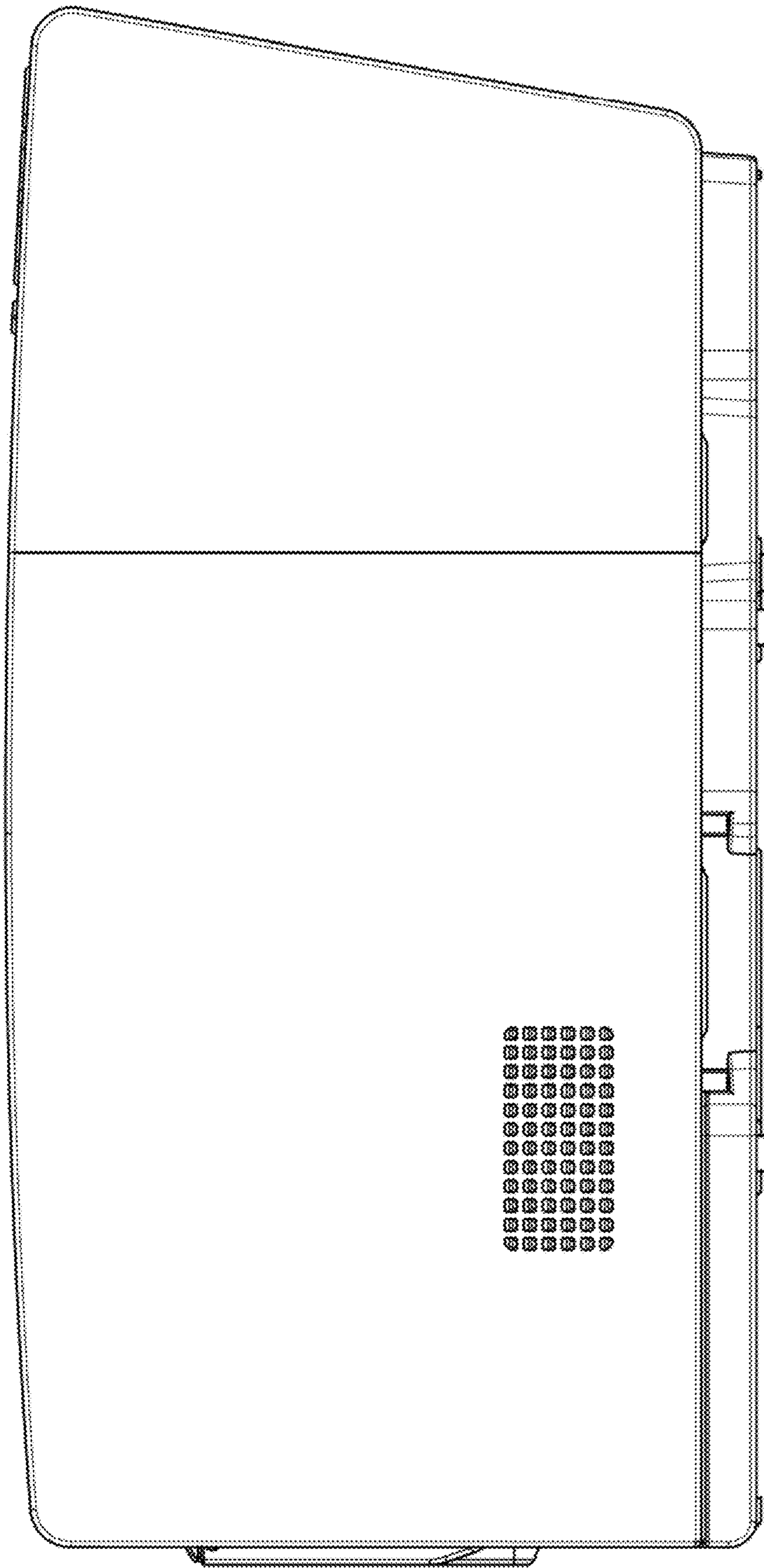


FIG. 4

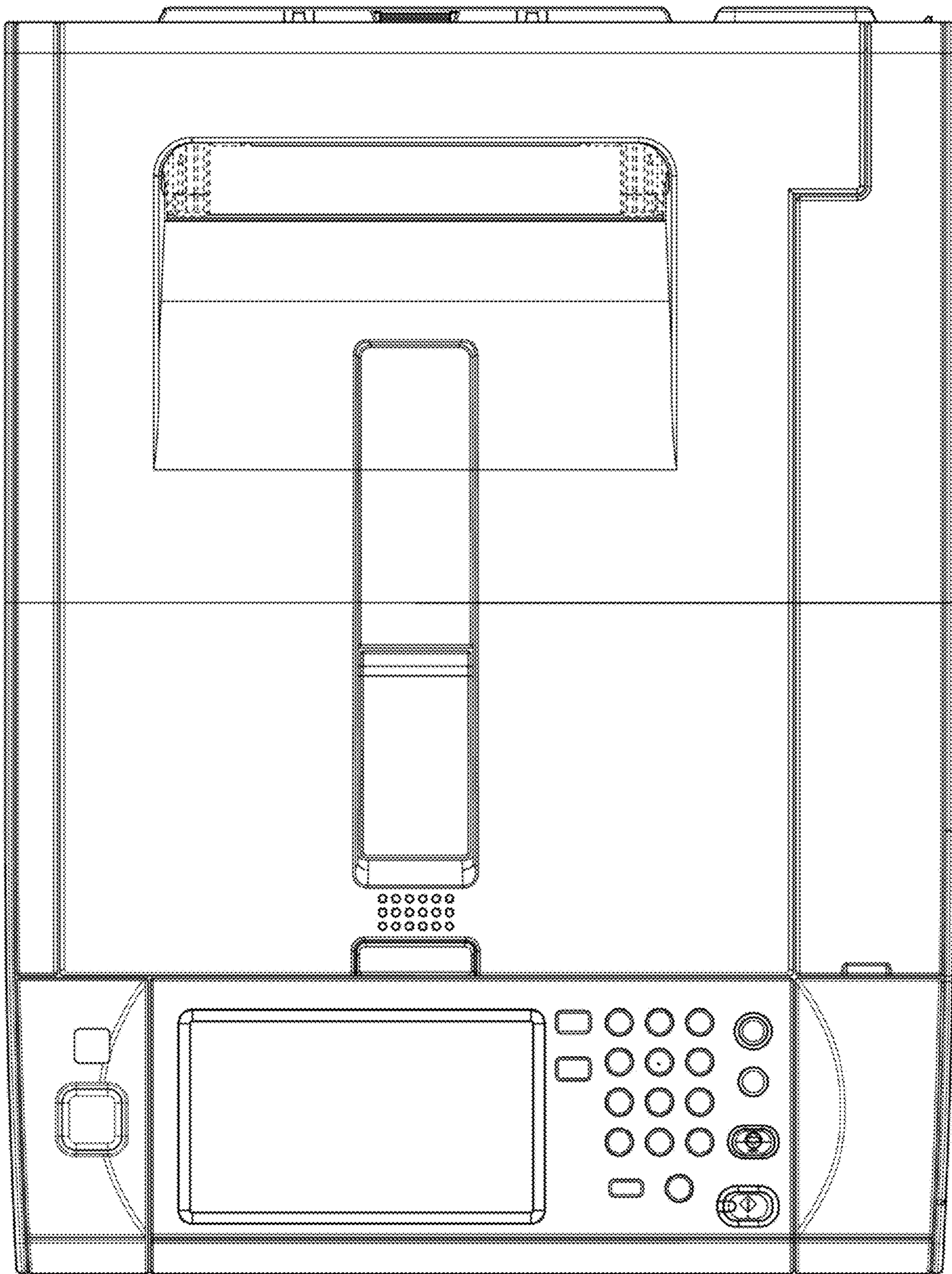


FIG. 5



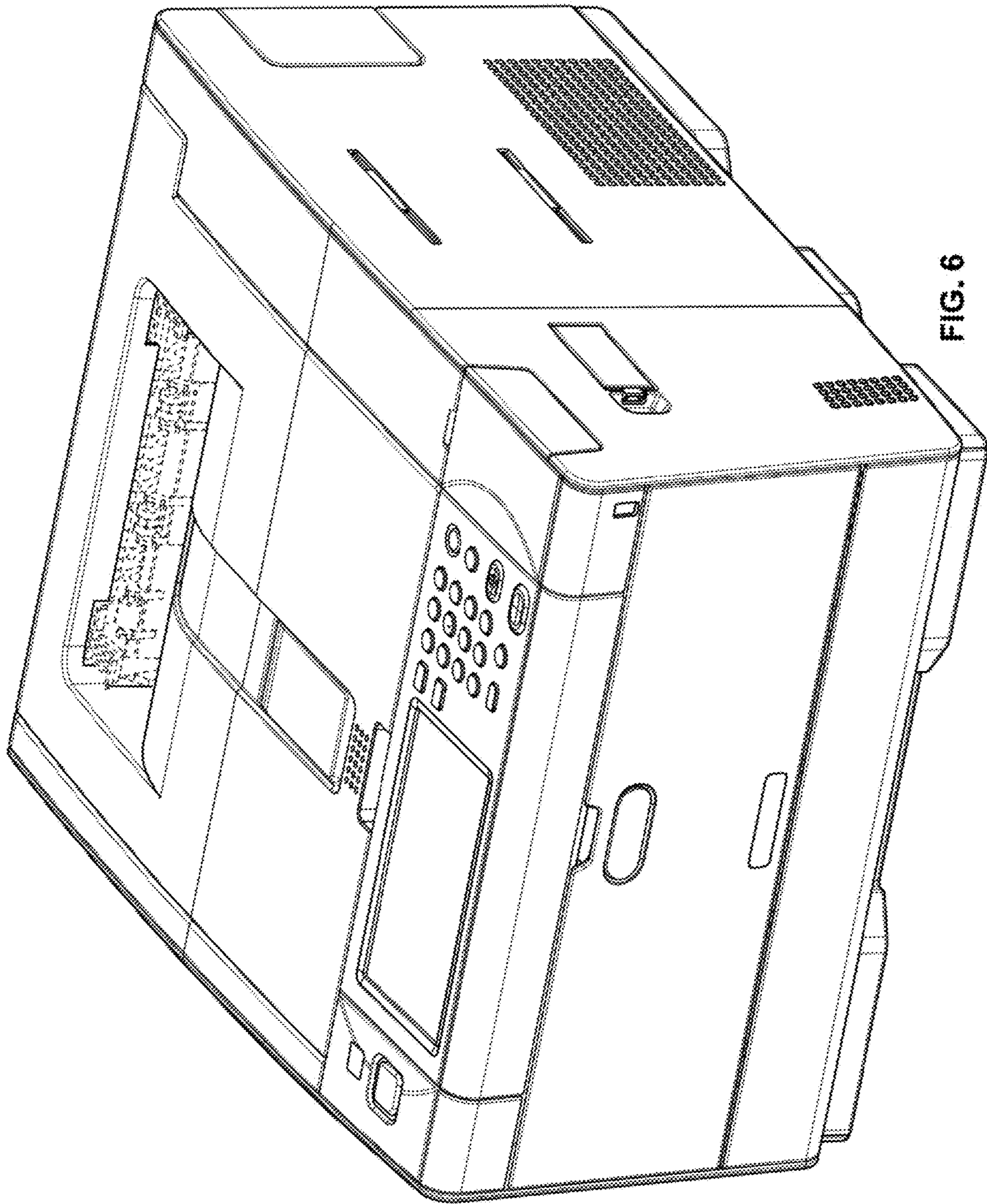


FIG. 6