

US00D853476S

(12) **United States Design Patent** (10) **Patent No.:** **US D853,476 S**
Ino et al. (45) **Date of Patent:** **** Jul. 9, 2019**

(54) **PRINTER**

(71) Applicant: **OKI DATA CORPORATION**, Tokyo (JP)

(72) Inventors: **Shiro Ino**, Tokyo (JP); **Hiroyuki Hayashi**, Tokyo (JP); **Isao Kitano**, Tokyo (JP); **Katsuhiko Yamaguchi**, Tokyo (JP); **Hiroyuki Mizuno**, Tokyo (JP)

(73) Assignee: **OKI DATA CORPORATION**, Tokyo (JP)

(**) Term: **15 Years**

(21) Appl. No.: **29/598,720**

(22) Filed: **Mar. 28, 2017**

(30) **Foreign Application Priority Data**

Sep. 29, 2016 (JP) 2016-020964

(51) **LOC (11) Cl.** **18-02**

(52) **U.S. Cl.**
USPC **D18/50**

(58) **Field of Classification Search**
USPC D18/36-37, 50, 55, 53, 54.1, 39, 54;
D14/421
CPC ... B41J 11/00; B41J 11/58; B41J 15/00; B41J
15/12; B41J 15/42; G03G 21/1633; G06K
15/12
See application file for complete search history.

(56) **References Cited**

U.S. PATENT DOCUMENTS

D601,186 S * 9/2009 Kim D18/55
D653,703 S * 2/2012 Seki D18/55

D697,965 S * 1/2014 Fukasawa D18/55
D699,784 S * 2/2014 Penke D18/55
D735,268 S * 7/2015 Sato D18/55
D765,772 S * 9/2016 Clark, III D18/55
D800,125 S * 10/2017 Yin D14/422
D818,534 S * 5/2018 Mita D18/55
D822,760 S * 7/2018 Xia D18/50
2016/0349693 A1* 12/2016 Matsuno G03G 15/1665
2017/0087887 A1* 3/2017 Hirata B41J 11/58
2017/0248902 A1* 8/2017 Yamamoto G03G 21/1633
2018/0181053 A1* 6/2018 Nguyen G03G 21/1633

* cited by examiner

Primary Examiner — Robin V Webster

Assistant Examiner — J. Thorn, Sr.

(74) *Attorney, Agent, or Firm* — Ladas & Parry LLP

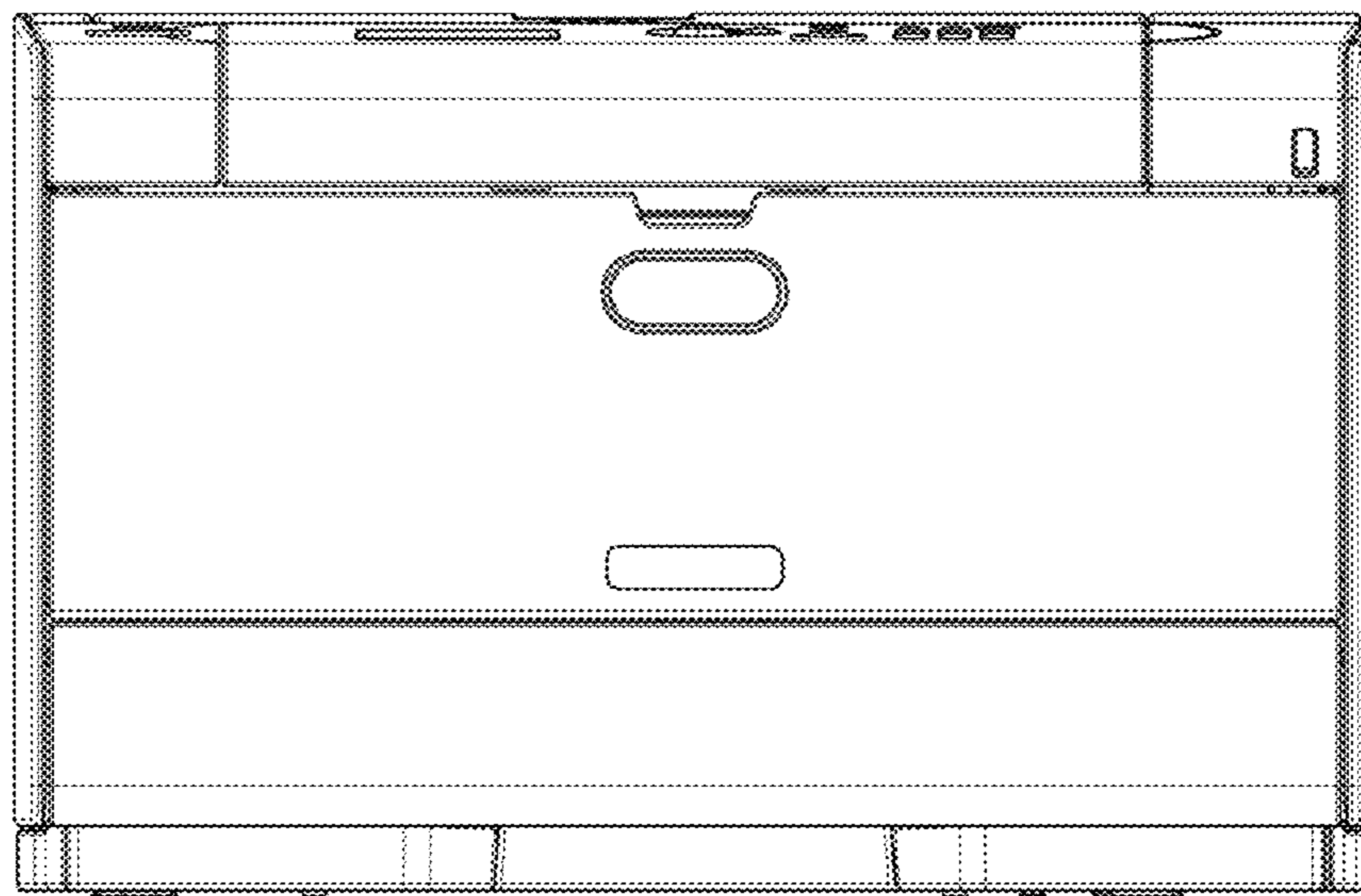
(57) **CLAIM**

We claim the ornamental design for a printer, as shown and described.

DESCRIPTION

FIG. 1 is a front view of a printer, showing our new design; FIG. 2 is a rear view thereof; FIG. 3 is a right-side view thereof; FIG. 4 is a left-side view thereof; FIG. 5 is a top view thereof; and, FIG. 6 is a top perspective view thereof. The broken lines in the drawings are for the purpose of illustrating unclaimed portions and form no part of the claimed design.

1 Claim, 6 Drawing Sheets



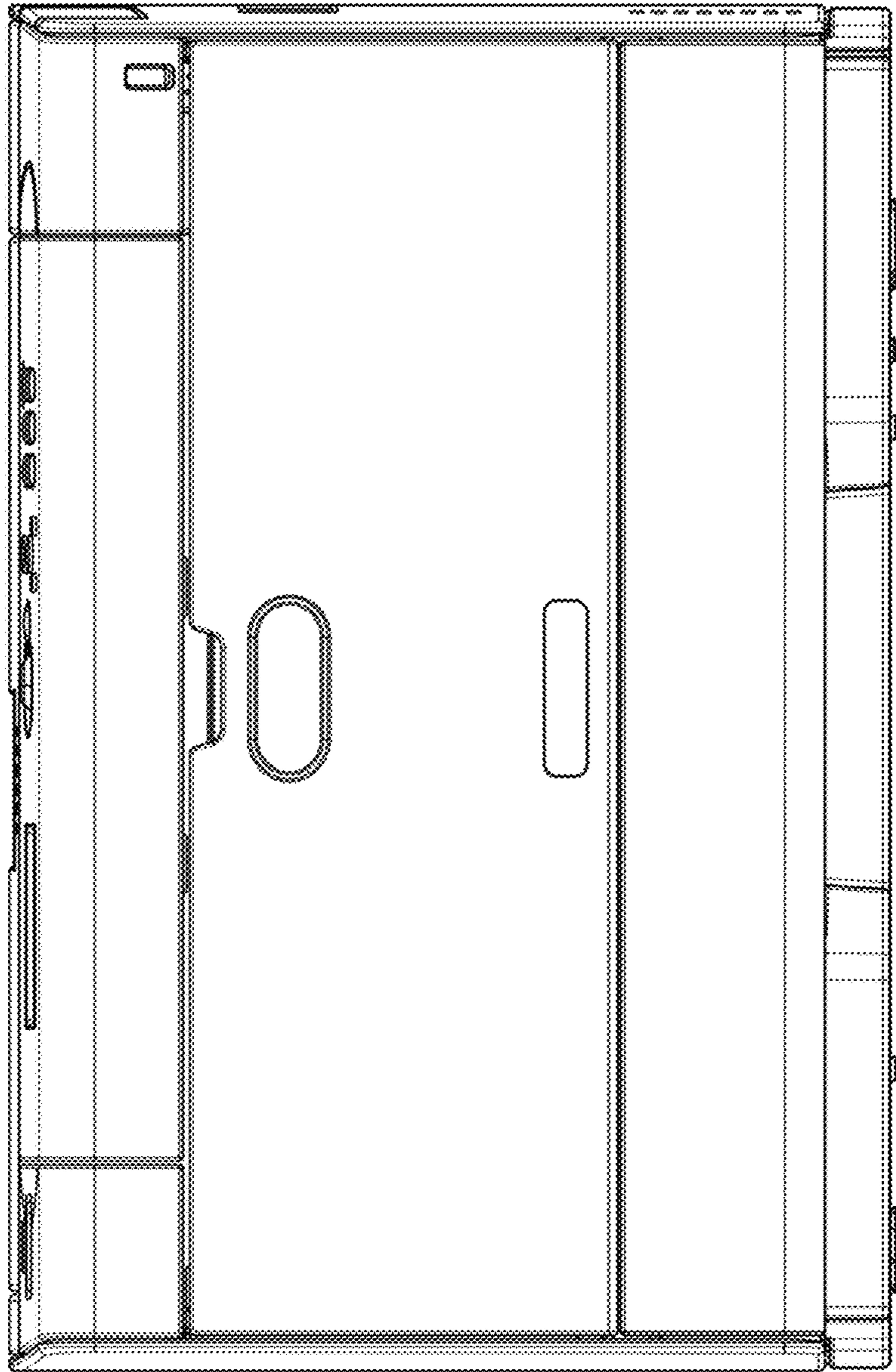


FIG. 1

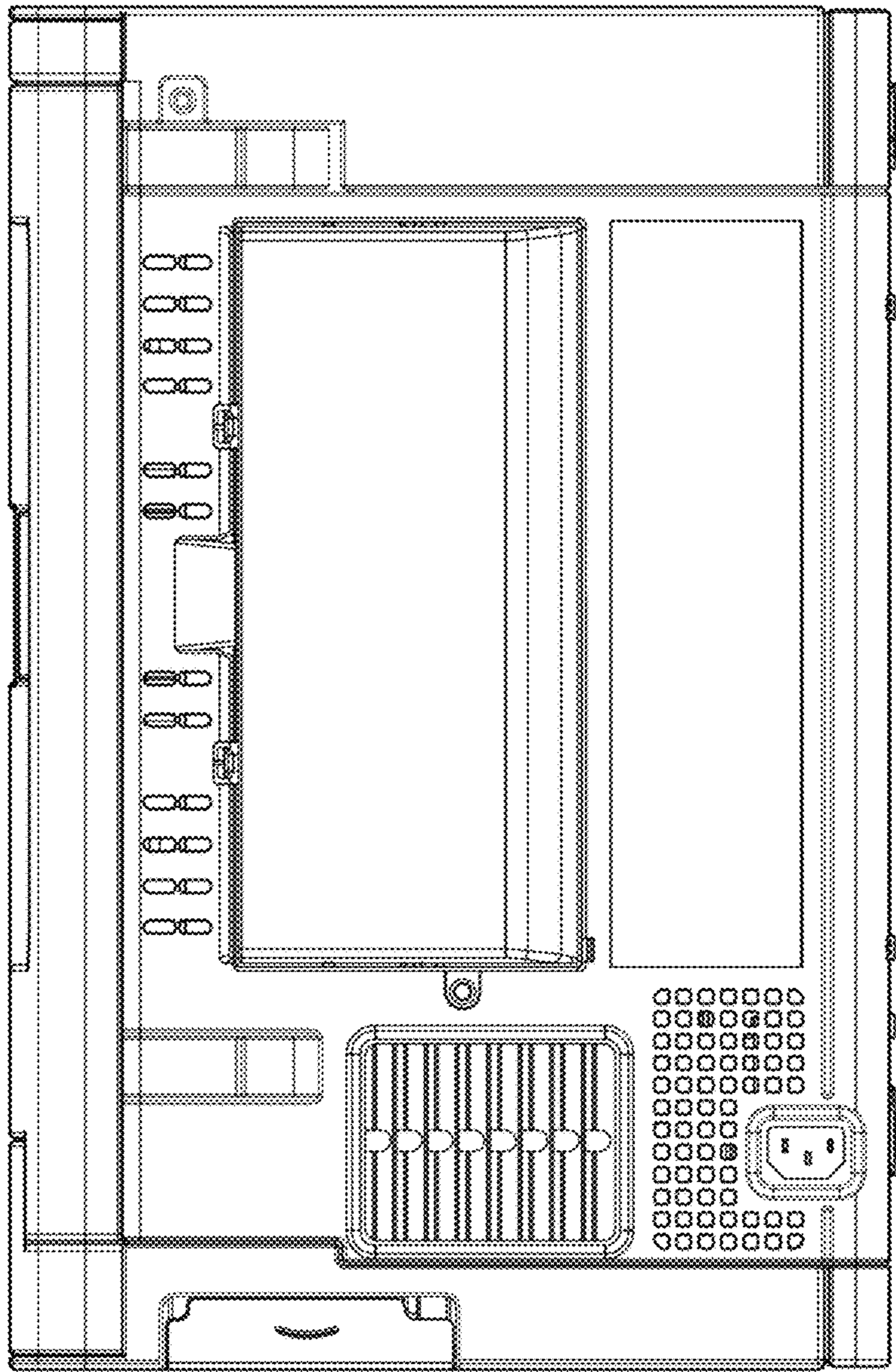


FIG. 2

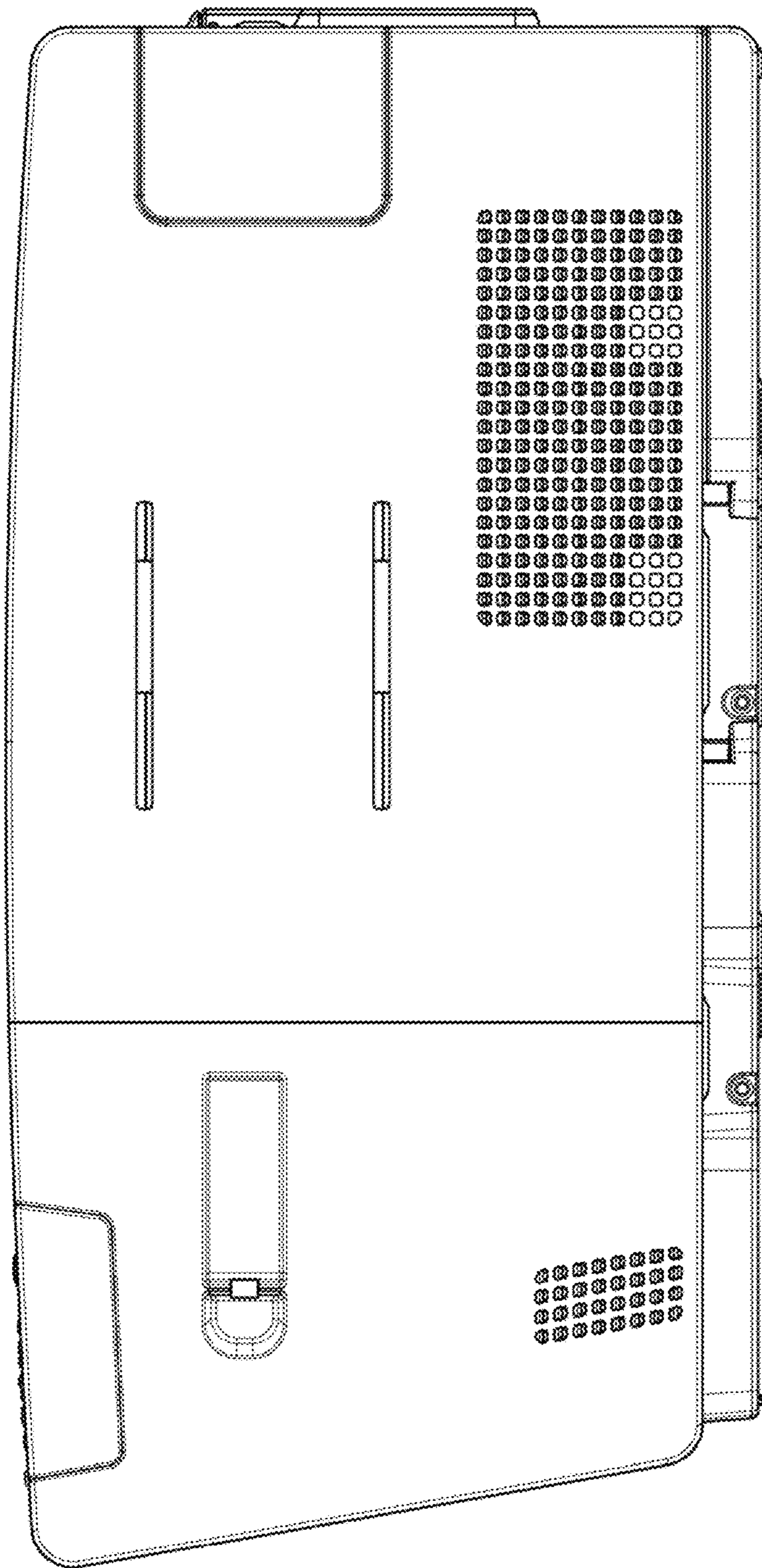


FIG. 3

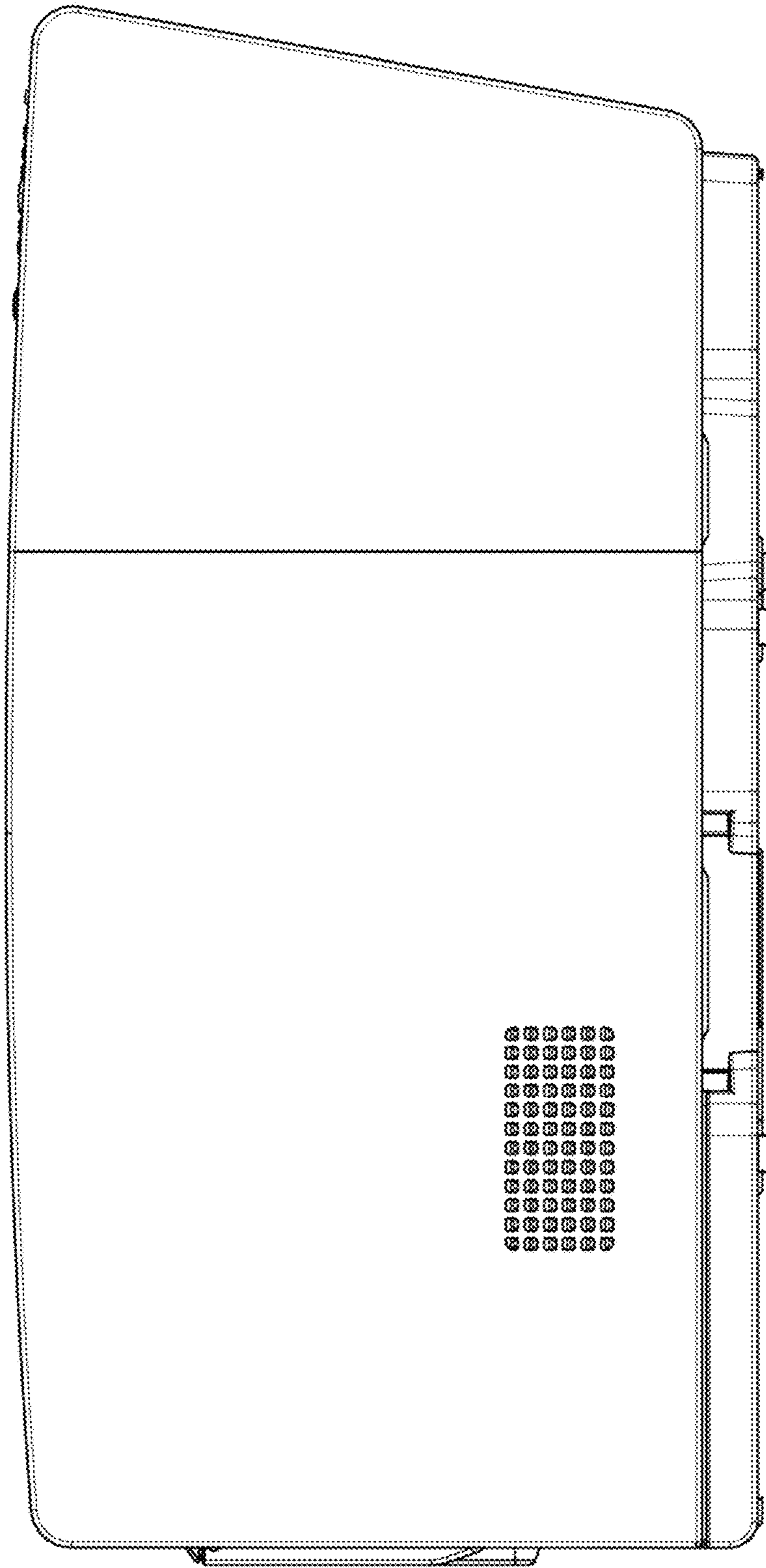


FIG. 4

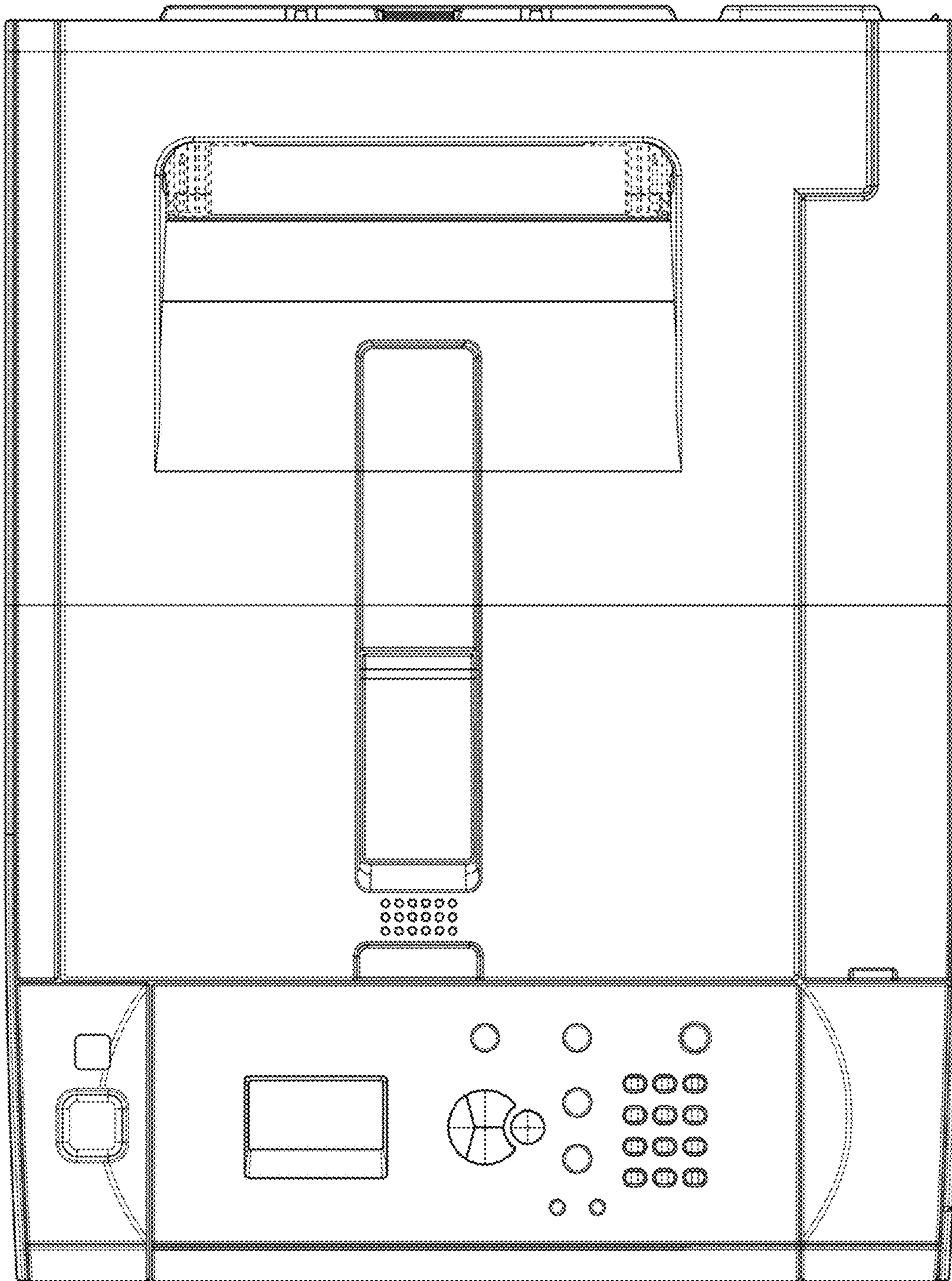


FIG. 5

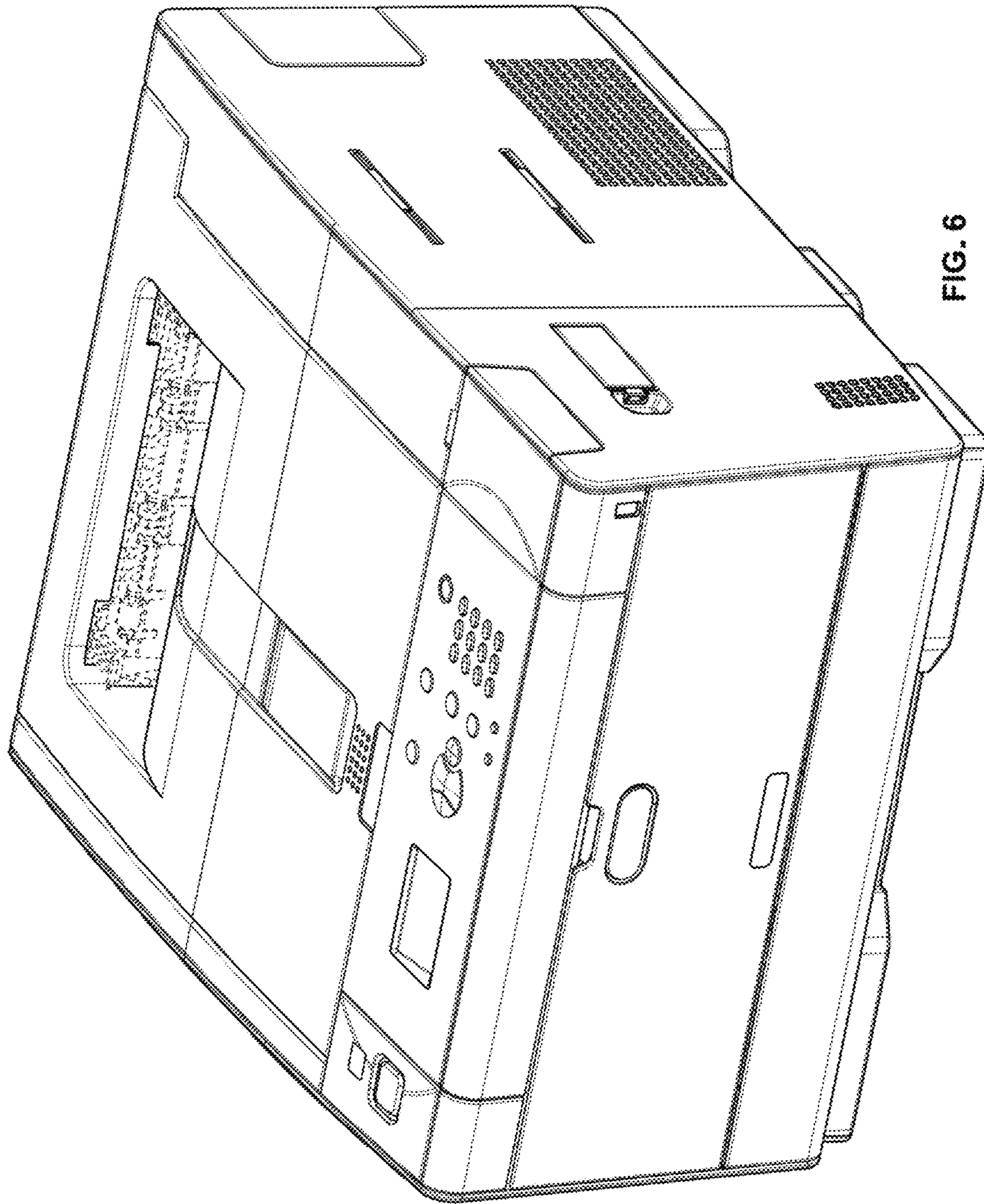


FIG. 6