



US00D853471S

(12) **United States Design Patent** (10) **Patent No.:** **US D853,471 S**  
**Kershaw et al.** (45) **Date of Patent:** **\*\* Jul. 9, 2019**

(54) **PICKGUARD FOR A GUITAR**

OTHER PUBLICATIONS

- (71) Applicant: **D'Angelico Guitars of America, LLC**,  
New York, NY (US)
- (72) Inventors: **Ryan Kershaw**, Brooklyn, NY (US);  
**Nicholas Brenner Pope**, Somerville,  
MA (US)
- (73) Assignee: **D'Angelico Guitars of America, LLC**,  
New York, NY (US)

Tdpri, Copper Pickguard question, posted Feb. 9, 2009, [online], [site visited Aug. 8, 2018]. Available from Internet, <URL: <http://www.tdpri.com/threads/copper-pickguard-question.94712/#post-1667633>> (Year: 2009).\*

Flickr, Bakelite Pickguard, posted Oct. 5, 2012, [online], [site visited Aug. 8, 2018]. Available from Internet, <URL: <https://www.flickr.com/photos/tksmith/8057371416/>> (Year: 2012).\*

TK Smith, Image 10/20, webarchived May 7, 2014, [online], [site visited Aug. 8, 2018]. Available from Internet, <URL: <https://web.archive.org/web/20140507183749/http://tksmith.net:80/gallery/>> (Year: 2014).\*

(\*\*) Term: **15 Years**

(Continued)

(21) Appl. No.: **29/630,783**

*Primary Examiner* — Michelle E. Wilson  
*Assistant Examiner* — Samantha N Wood

(22) Filed: **Dec. 22, 2017**

(74) *Attorney, Agent, or Firm* — Henry J. Cittone; Cittone Demers & Arneri LLP

(51) **LOC (11) Cl.** ..... **17-03**

(52) **U.S. Cl.**  
USPC ..... **D17/20**

(58) **Field of Classification Search**  
USPC ..... D17/14, 15, 17, 18, 19, 20, 21; D8/343,  
D8/344, 346; D11/132, 131  
CPC .. G10H 1/46; G10H 1/00; G10H 3/18; G10H  
3/181; G10H 3/182; G10D 1/00; G10D  
1/08; G10D 3/163; G10D 3/18  
See application file for complete search history.

(56) **References Cited**

U.S. PATENT DOCUMENTS

D254,260	S	*	2/1980	Green	.....	D17/14
D256,368	S	*	8/1980	Bolen	.....	D17/14
4,653,376	A	*	3/1987	Allured	.....	G10H 1/342 84/646
5,936,179	A	*	8/1999	Merrick	.....	G10G 7/02 84/454
2008/0236360	A1	*	10/2008	Higgs	.....	G10D 1/08 84/291
2012/0272808	A1	*	11/2012	Kim	.....	G10D 1/08 84/291
2017/0025102	A1	*	1/2017	Brown, Jr.	.....	G10D 1/085

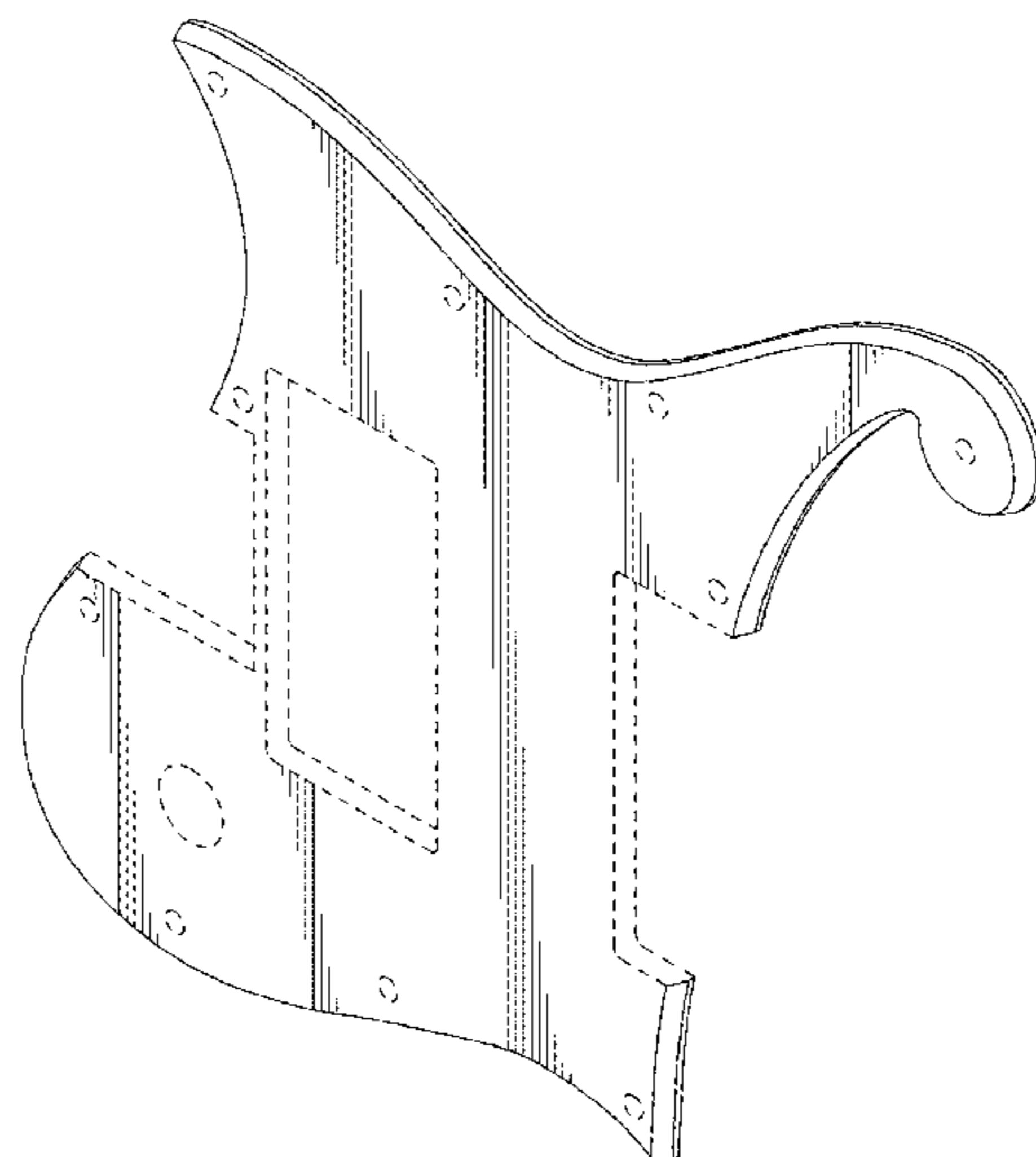
(57) **CLAIM**

The ornamental design for a pickguard for a guitar, as shown and described.

**DESCRIPTION**

FIG. 1 is a front perspective view of a pickguard showing the new design;  
FIG. 2 is a front view thereof;  
FIG. 3 is a back view thereof;  
FIG. 4 is a bottom view thereof;  
FIG. 5 is a top view thereof;  
FIG. 6 is a right view thereof;  
FIG. 7 is a left view thereof;  
FIG. 8 is a front view thereof; and,  
FIG. 9. is a perspective view thereof.  
The broken line showing of a guitar in the figures represents environment only and forms no part of the claimed design.

**1 Claim, 7 Drawing Sheets**



(56)

**References Cited**

OTHER PUBLICATIONS

TK Smith, Pat Capocci's Modified Telecaster, commented Jul. 2, 2012, [online], [site visited Aug. 8, 2018]. Available from Internet, <URL: <http://tksmith.net/2012/06/29/pat-capoccis-tele-modification/>> (Year: 2012).\*

Lloyd Loar, "The Gibson L-5 guitar", Gibson Guitar Company, (Jan. 1, 1922), [https://en.wikipedia.org/wiki/Gibson\\_L-5#/media/File:Gibson\\_L-5\\_\(1928\),\\_Maybelle\\_Carter,\\_CMHF\\_clip1.jpg](https://en.wikipedia.org/wiki/Gibson_L-5#/media/File:Gibson_L-5_(1928),_Maybelle_Carter,_CMHF_clip1.jpg).

Leo Fender et al., "Fender Stratocaster", Fender Musical Instruments Corporation (Jan. 1, 1954), [https://en.wikipedia.org/wiki/Fender\\_Stratocaster#/media/File:Fender\\_Highway\\_1\\_Stratocaster.jpg](https://en.wikipedia.org/wiki/Fender_Stratocaster#/media/File:Fender_Highway_1_Stratocaster.jpg).

Leo Fender, "Fender Telecaster" (Jan. 1, 1950), [https://en.wikipedia.org/wiki/Fender\\_Telecaster#/media/File:Fender\\_Broadcaster\\_\(1950\),\\_Museum\\_of\\_Making\\_Music.jpg](https://en.wikipedia.org/wiki/Fender_Telecaster#/media/File:Fender_Broadcaster_(1950),_Museum_of_Making_Music.jpg).

Paul SG, "Gibson Les Paul SG", Gibson Guitar Company, (Jan. 1, 1961), [https://en.wikipedia.org/wiki/Gibson\\_SG#/media/File:lommi\\_sg\\_guitar.jpg](https://en.wikipedia.org/wiki/Gibson_SG#/media/File:lommi_sg_guitar.jpg).

\* cited by examiner

FIG. 1

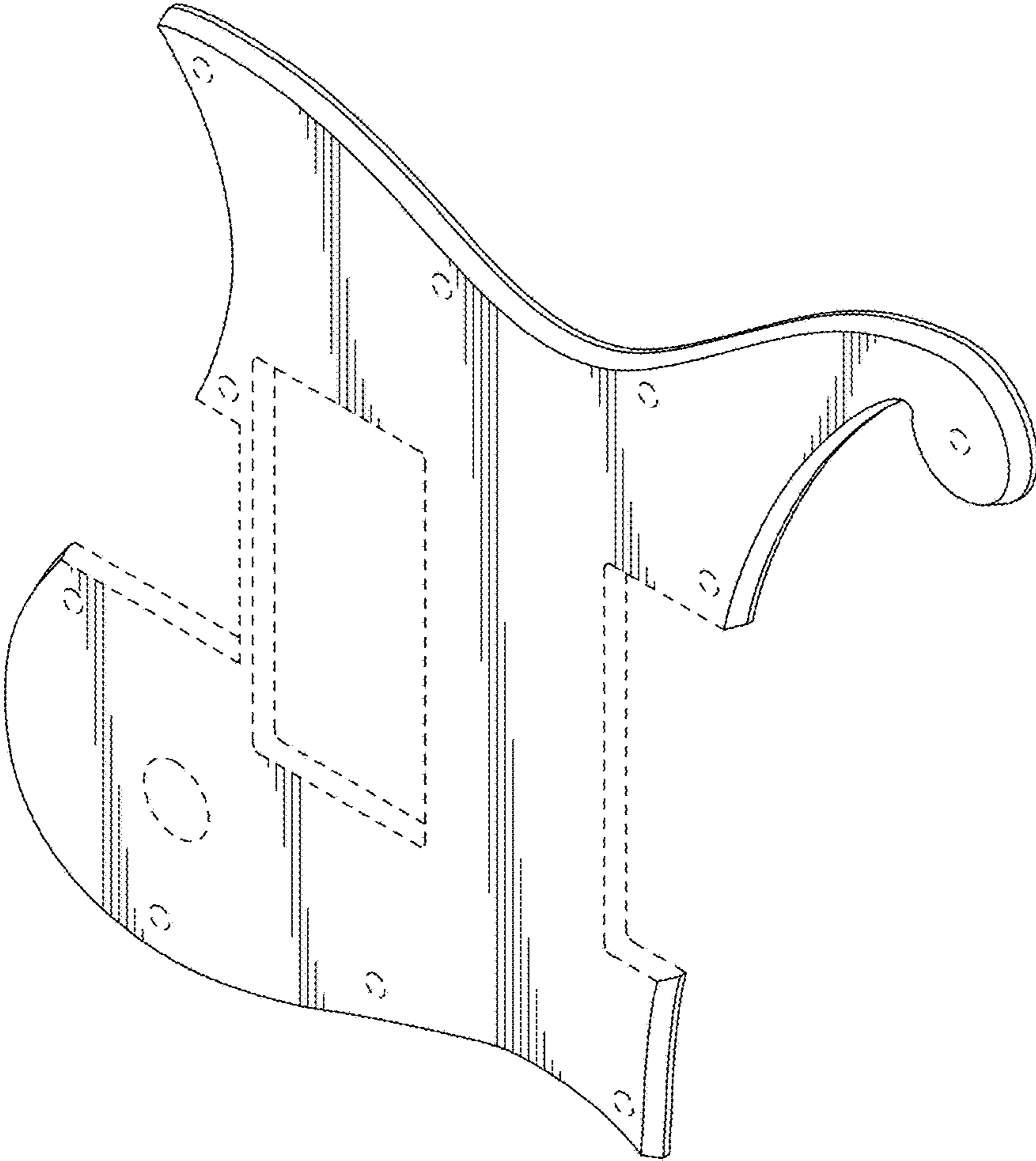


FIG. 2

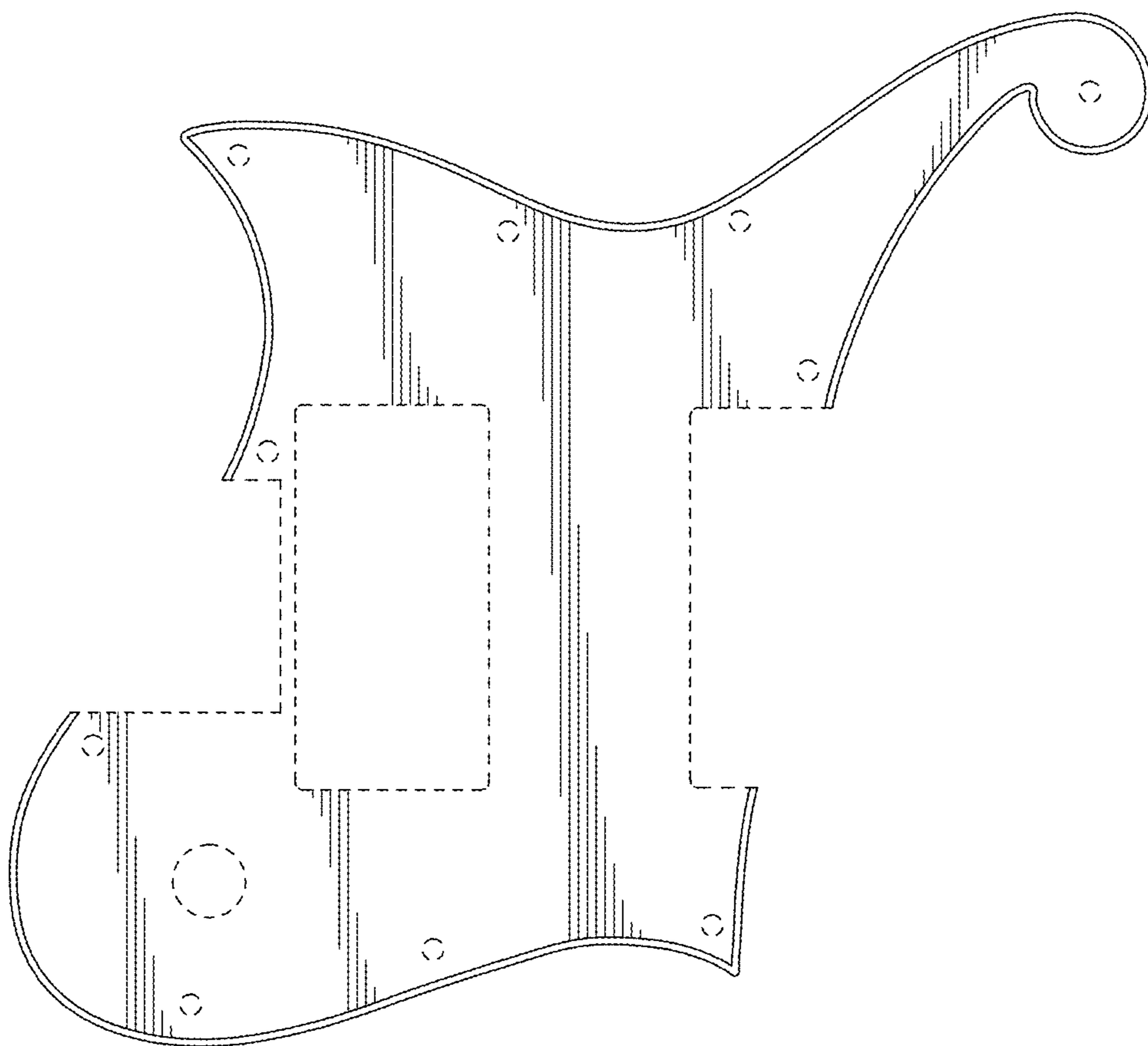


FIG. 3

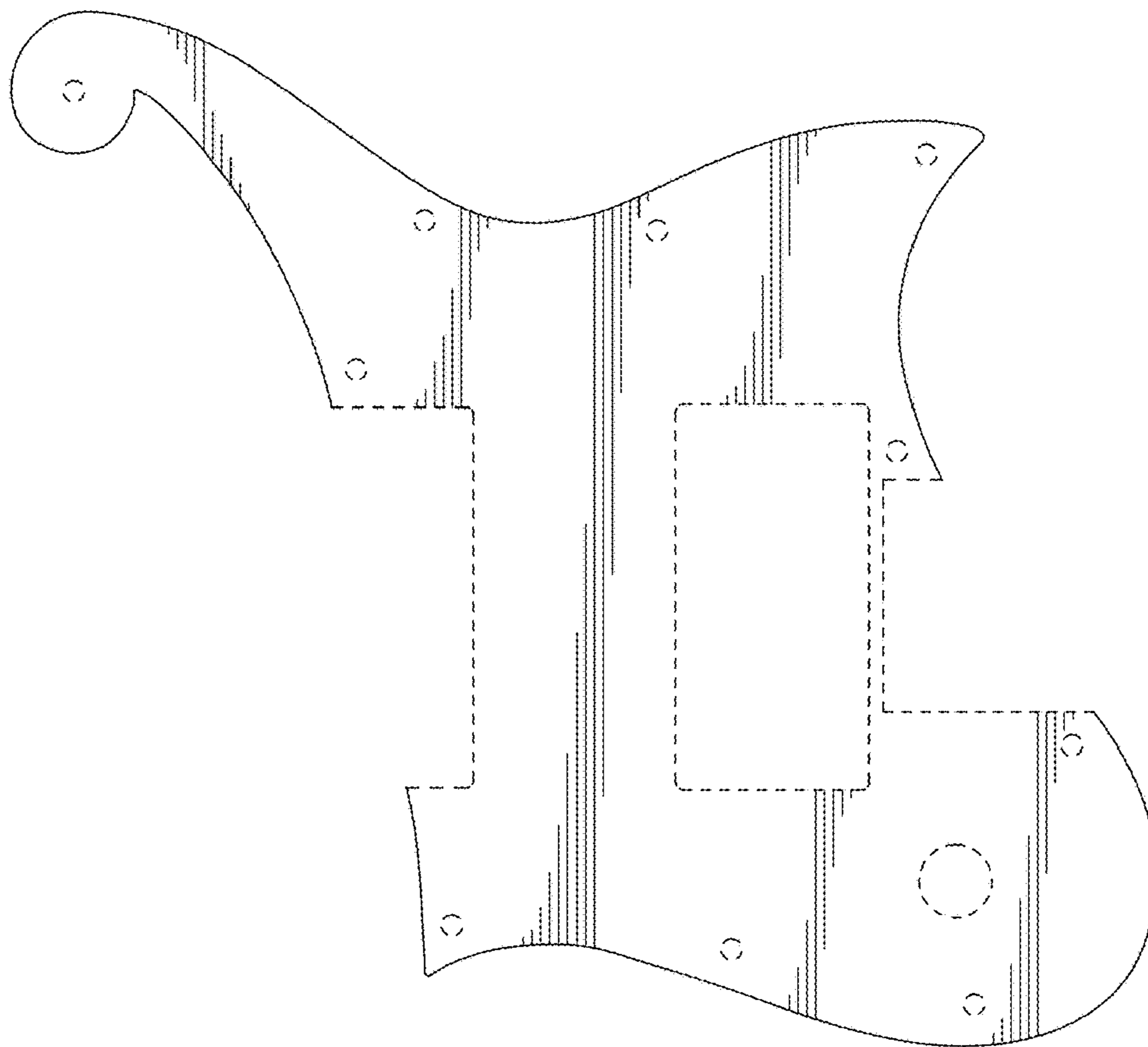


FIG. 4

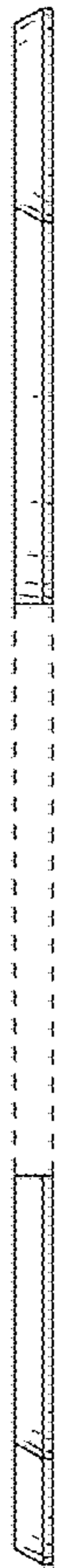
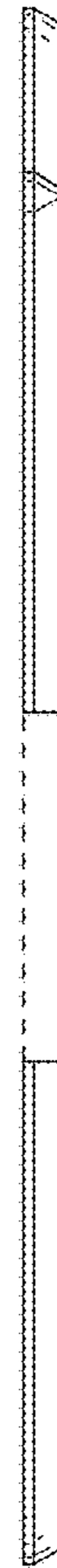
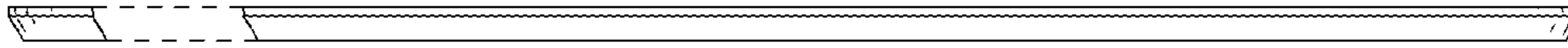


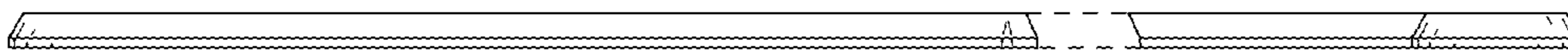
FIG. 5



*FIG. 6*



*FIG. 7*



**FIG. 8**

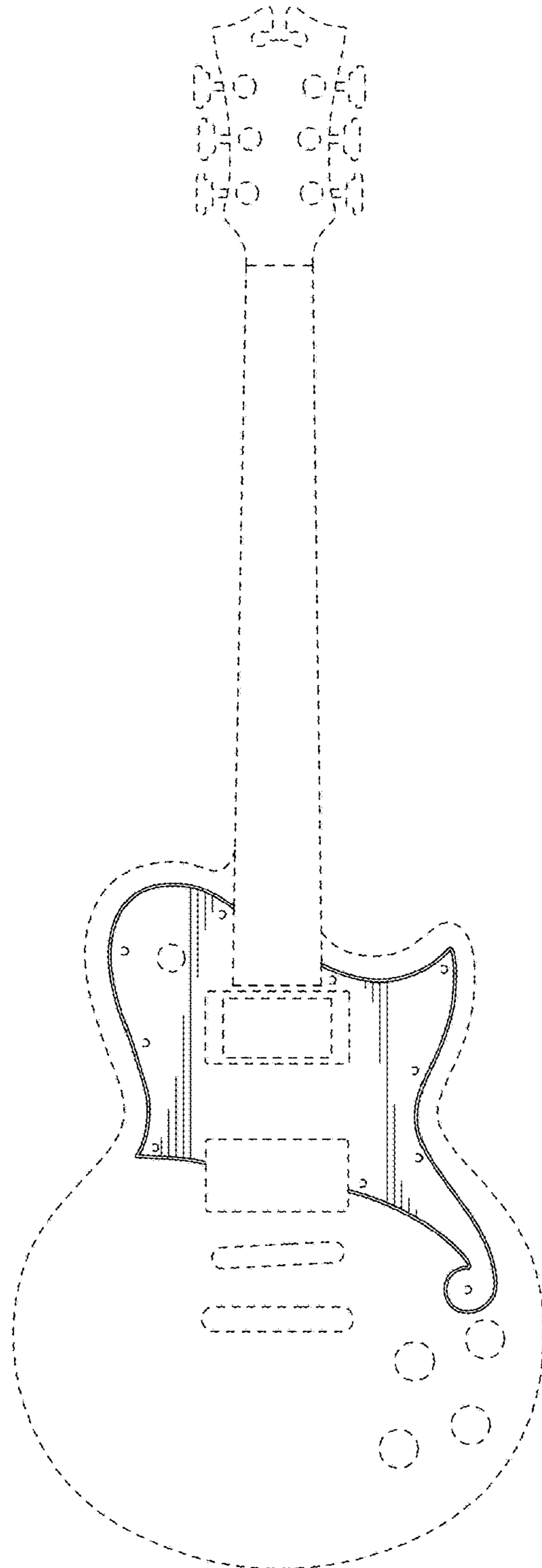




FIG. 9

