



US00D853470S

(12) **United States Design Patent**
Ridinger

(10) **Patent No.:** **US D853,470 S**
(45) **Date of Patent:** **** Jul. 9, 2019**

(54) **SOUND EFFECT PEDAL FOR MUSICAL INSTRUMENTS**

D577,667 S * 9/2008 Beedham D13/108
D685,021 S * 6/2013 Ridinger D17/20
D745,597 S * 12/2015 Alstad D17/20

(71) Applicant: **Steve Ridinger**, Irvine, CA (US)

(72) Inventor: **Steve Ridinger**, Irvine, CA (US)

(**) Term: **15 Years**

(21) Appl. No.: **29/604,387**

(22) Filed: **May 17, 2017**

(51) **LOC (11) Cl.** **17-03**

(52) **U.S. Cl.**
USPC **D17/20**; D17/99

(58) **Field of Classification Search**
USPC D17/22, 23, 99, 20, 21, 9; D13/167, 158,
D13/107, 108, 103, 133, 152; D15/4, 17,
D15/72, 78; D14/408, 407, 410
CPC G10C 3/00; G10C 3/26; G10K 11/172;
G10K 2210/505; G10H 2210/155; G10H
2210/195; G10H 2210/191; G10H
2210/235

See application file for complete search history.

(56) **References Cited**

U.S. PATENT DOCUMENTS

D120,157 S * 4/1940 Giannini D14/229
D170,545 S * 10/1953 Palo D14/227
D307,137 S * 4/1990 Alfonso D14/410
5,689,171 A * 11/1997 Ludewig H02J 7/0042
320/110
D443,856 S * 6/2001 Lehtovaara D13/107
D524,250 S * 7/2006 Chen D13/158
D547,737 S * 7/2007 Lee D13/199
D549,704 S * 8/2007 Sandy D14/406
D561,241 S * 2/2008 Ridinger D17/99

OTHER PUBLICATIONS

Amazon, Marshall GV-2 Guv'nor Plus, posted Jul. 4, 2007, [online], [site visited Nov. 7, 2017]. Available from Internet, <URL: https://www.amazon.co.uk/Marshall-PEDL-10025-GV-2-Guvnor/dp/B0000WS42Y/ref=sr_1_24?ie=UTF8&qid=1541618488&sr=8-24&keywords=guitar+pedal> (Year: 2007).*

* cited by examiner

Primary Examiner — Sheryl Lane
Assistant Examiner — Samantha N Wood

(74) *Attorney, Agent, or Firm* — Joseph T. Leone, Esq.;
DeWitt LLP

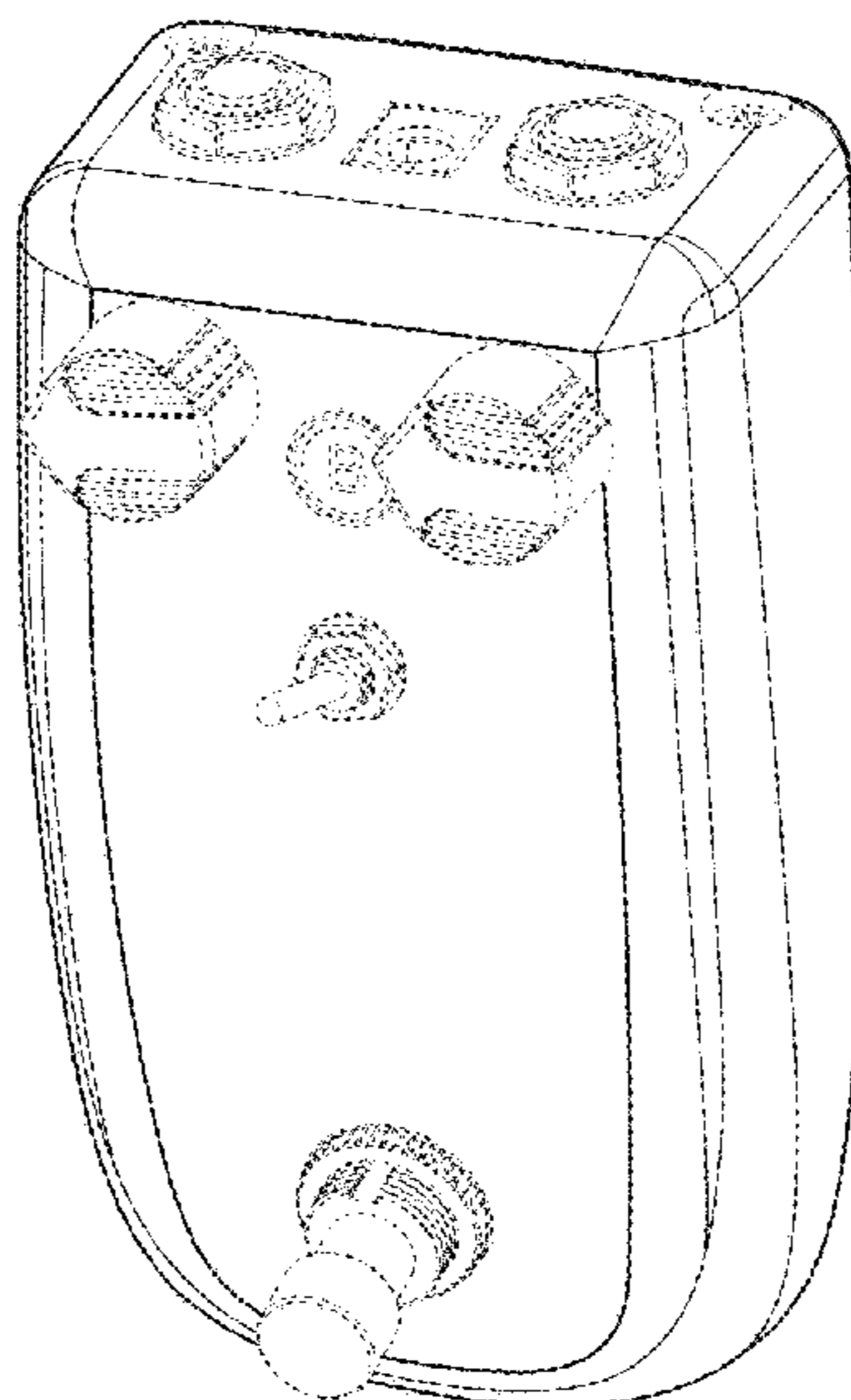
(57) **CLAIM**

The ornamental design for a sound effect pedal for musical instruments, as shown and described.

DESCRIPTION

FIG. 1 is a top perspective view of a sound effect pedal for musical instruments showing my new design;
FIG. 2 is a top plan view thereof;
FIG. 3 is a bottom plan view thereof;
FIG. 4 is a left side elevational view thereof;
FIG. 5 is a right side elevational view thereof;
FIG. 6 is a rear elevational view thereof; and,
FIG. 7 is a front elevational view thereof.
The broken lines are included for the purpose of illustrating portions of the article and form no part of the claimed design.

1 Claim, 4 Drawing Sheets



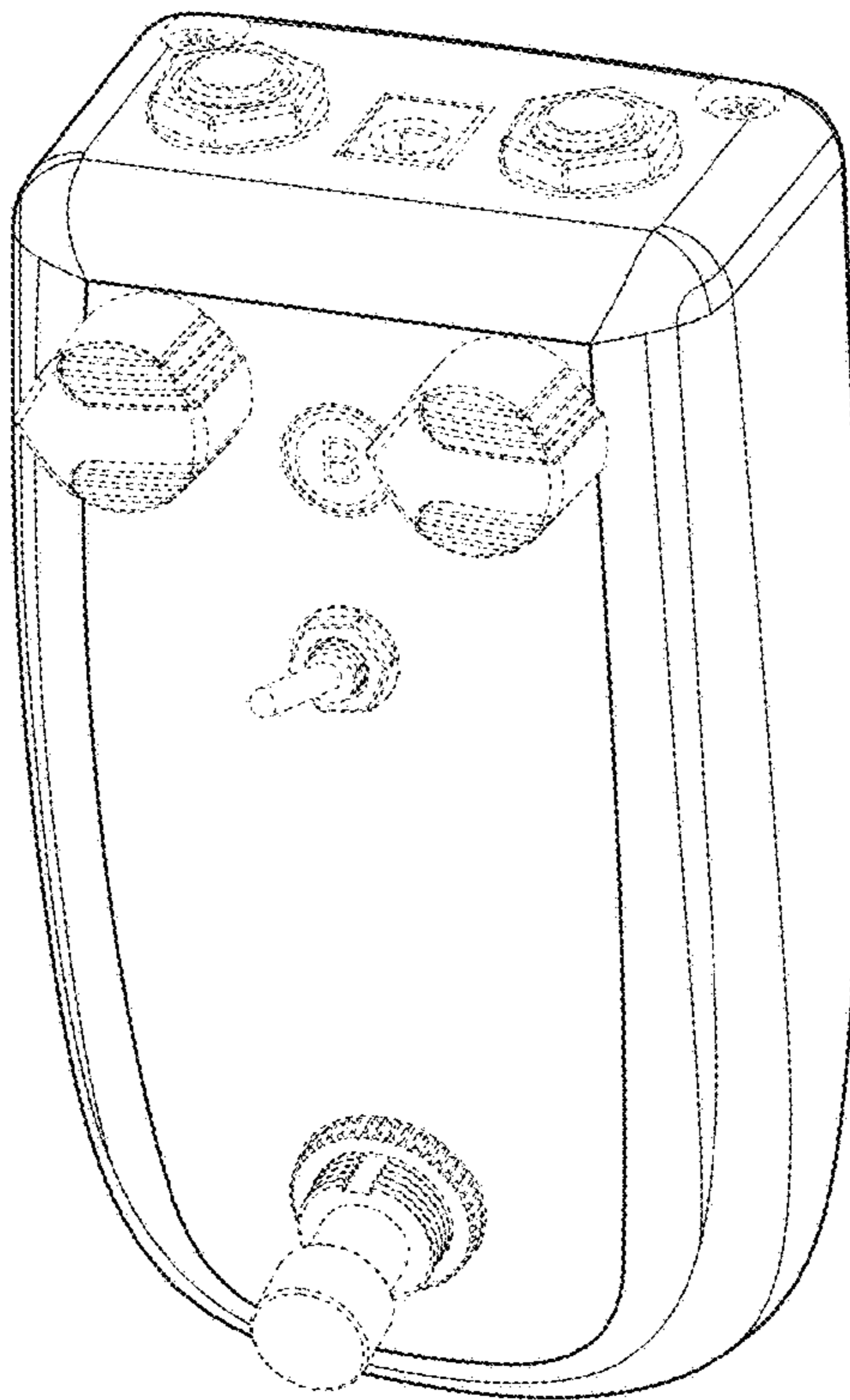


FIG. 1

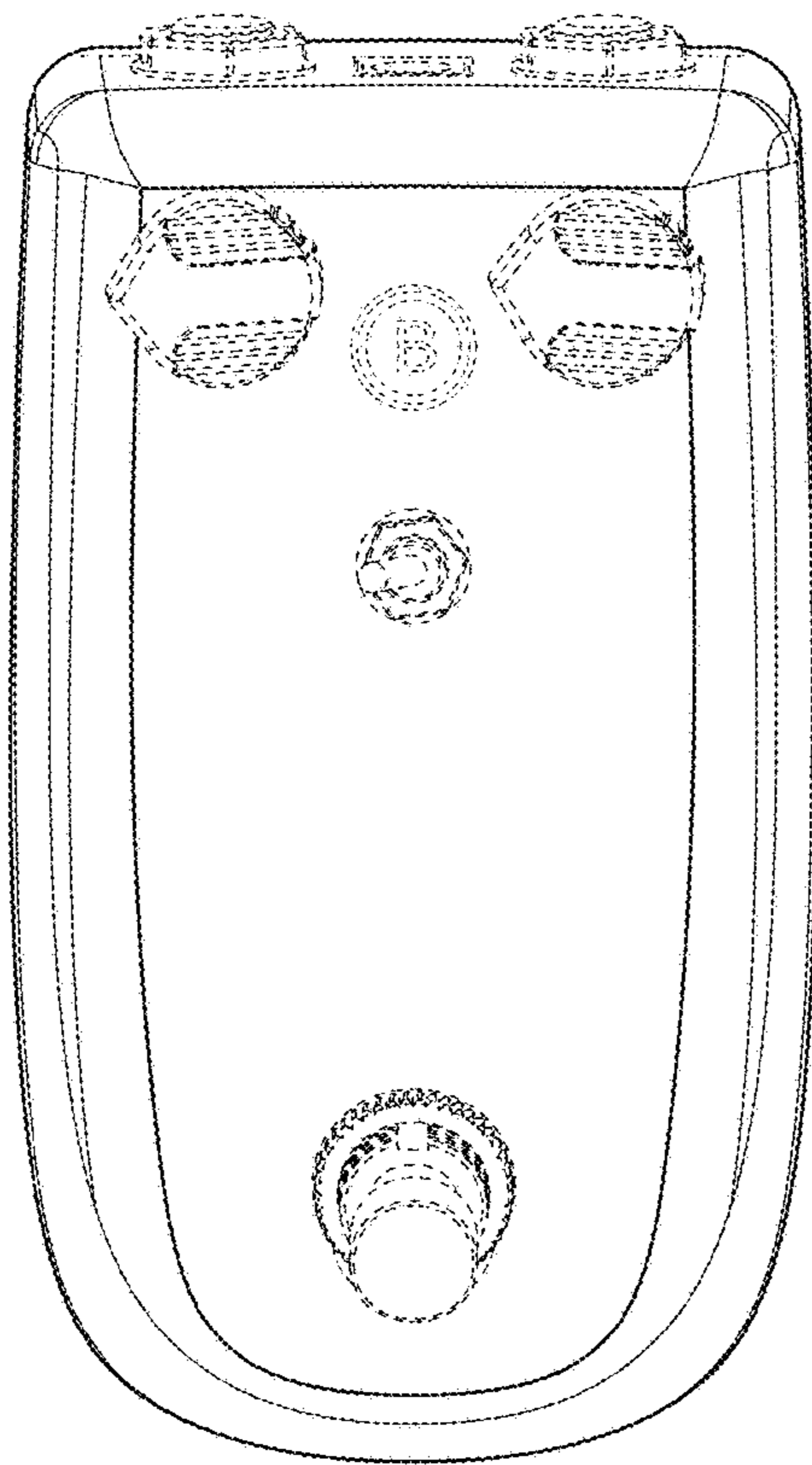


FIG. 2

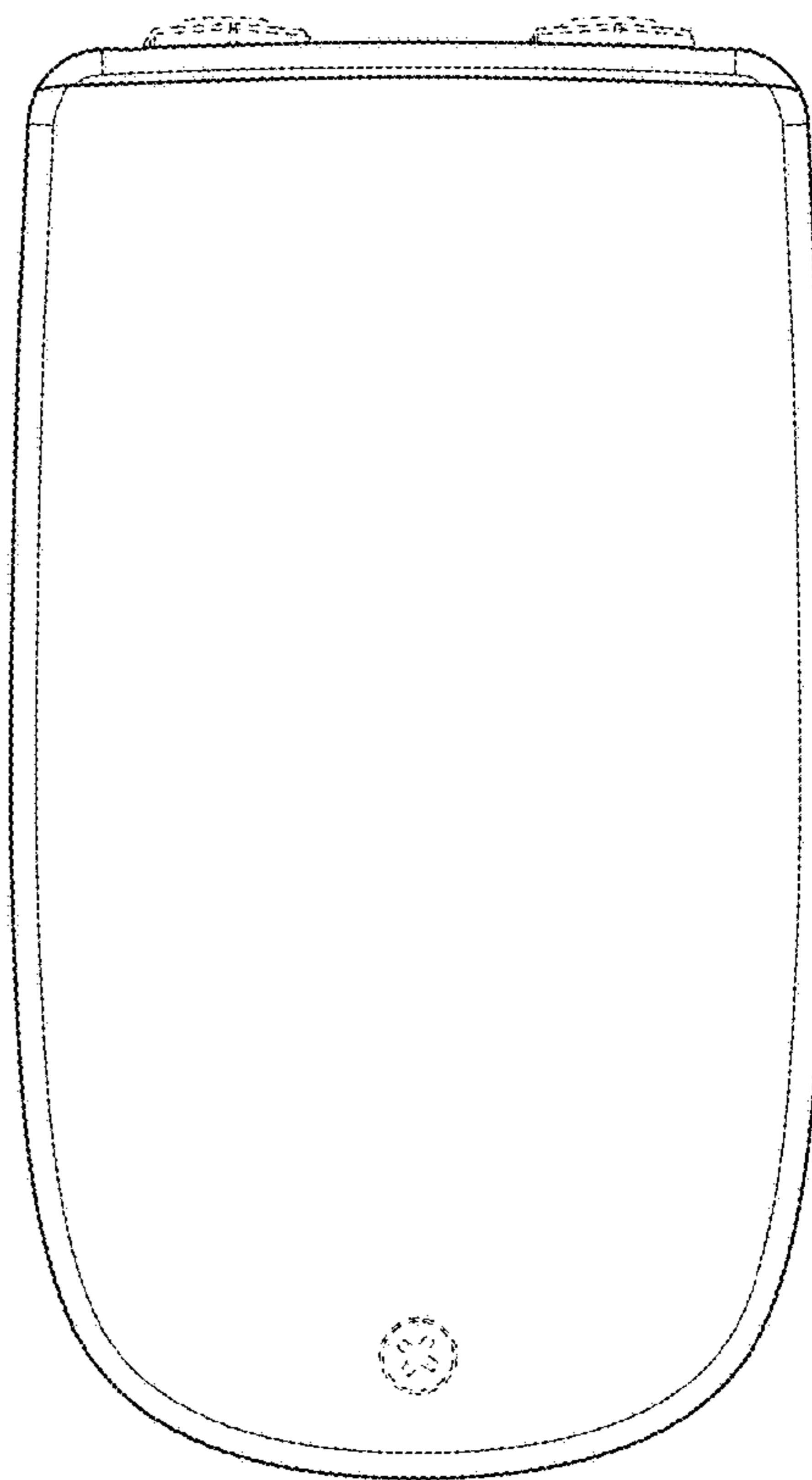


FIG. 3

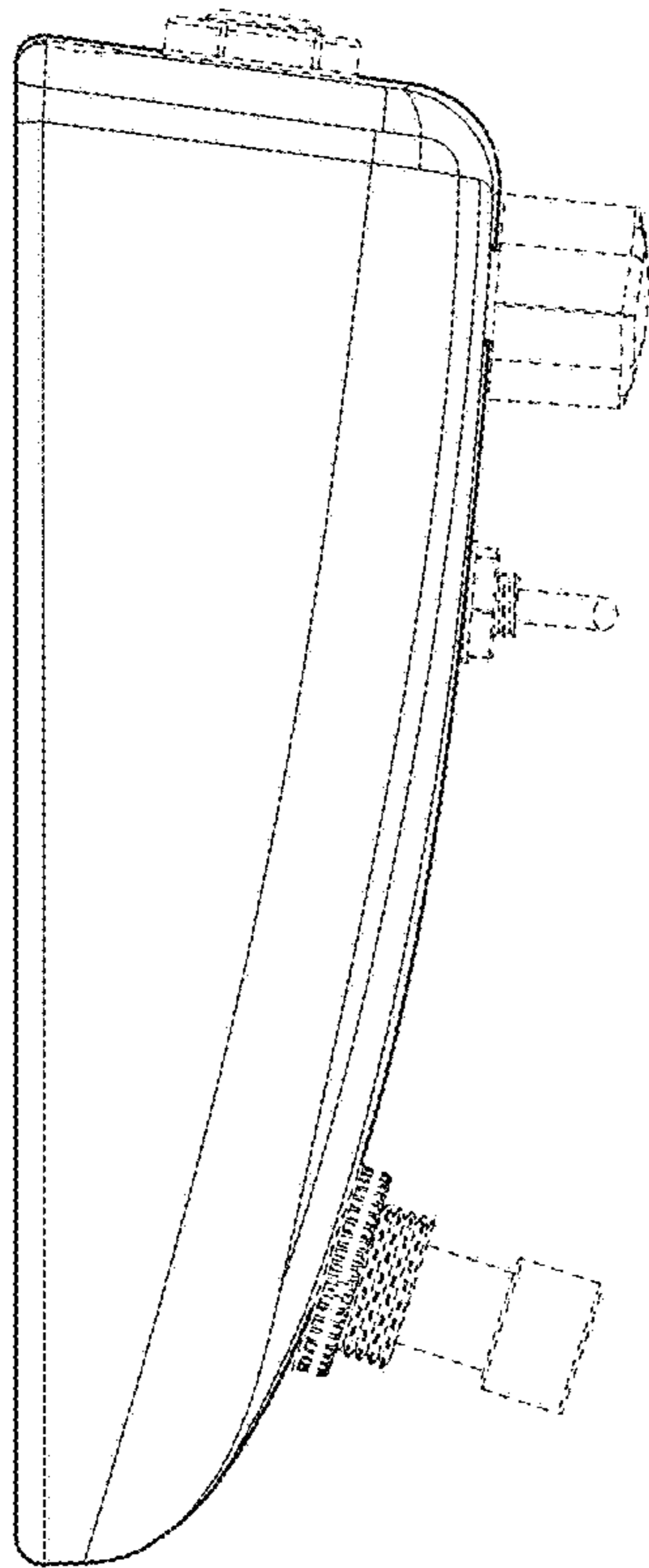


FIG. 4

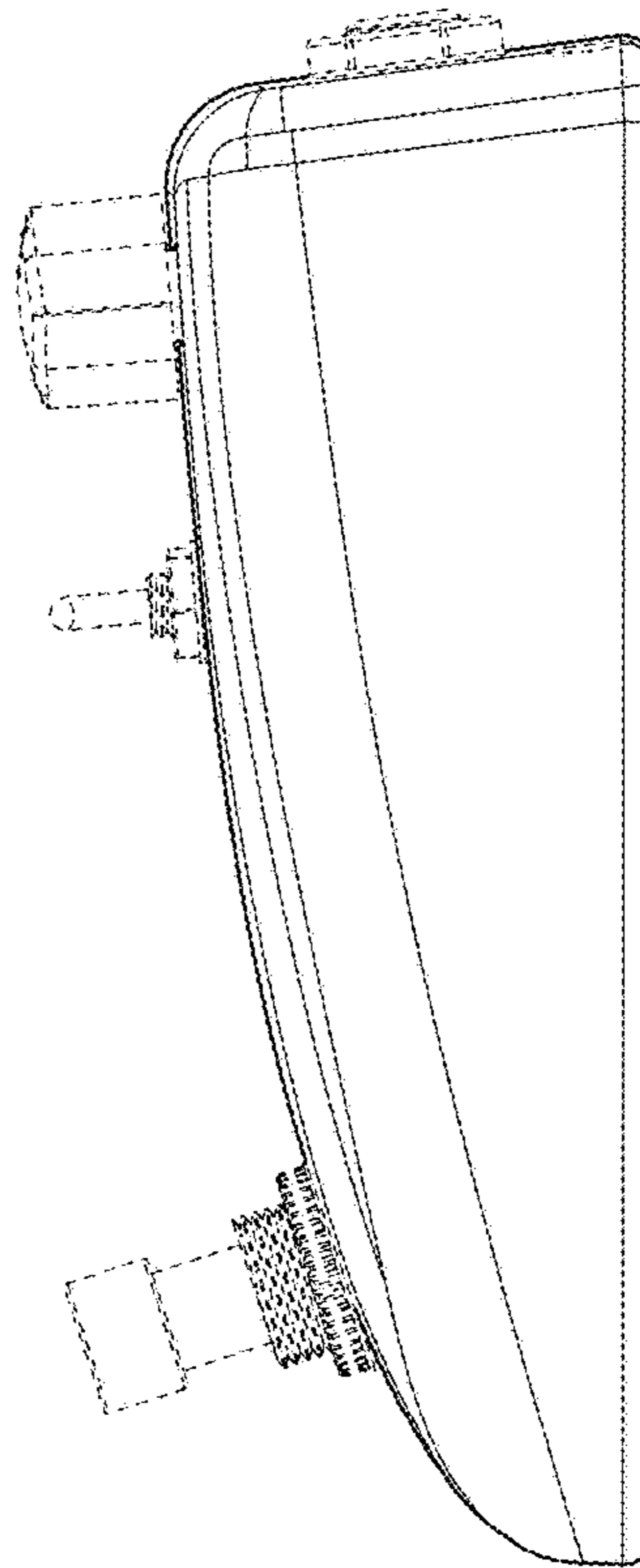


FIG. 5

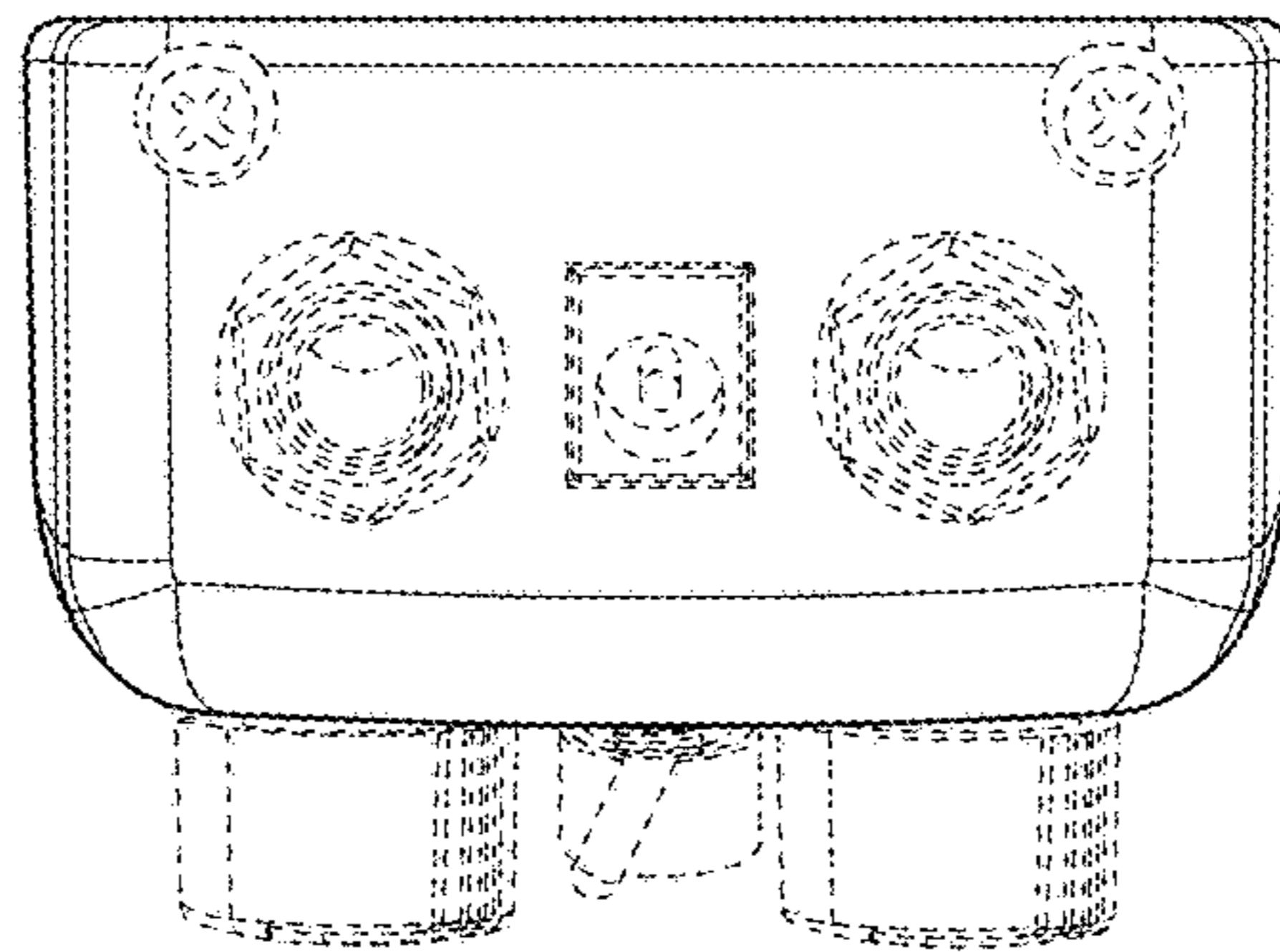


FIG. 6

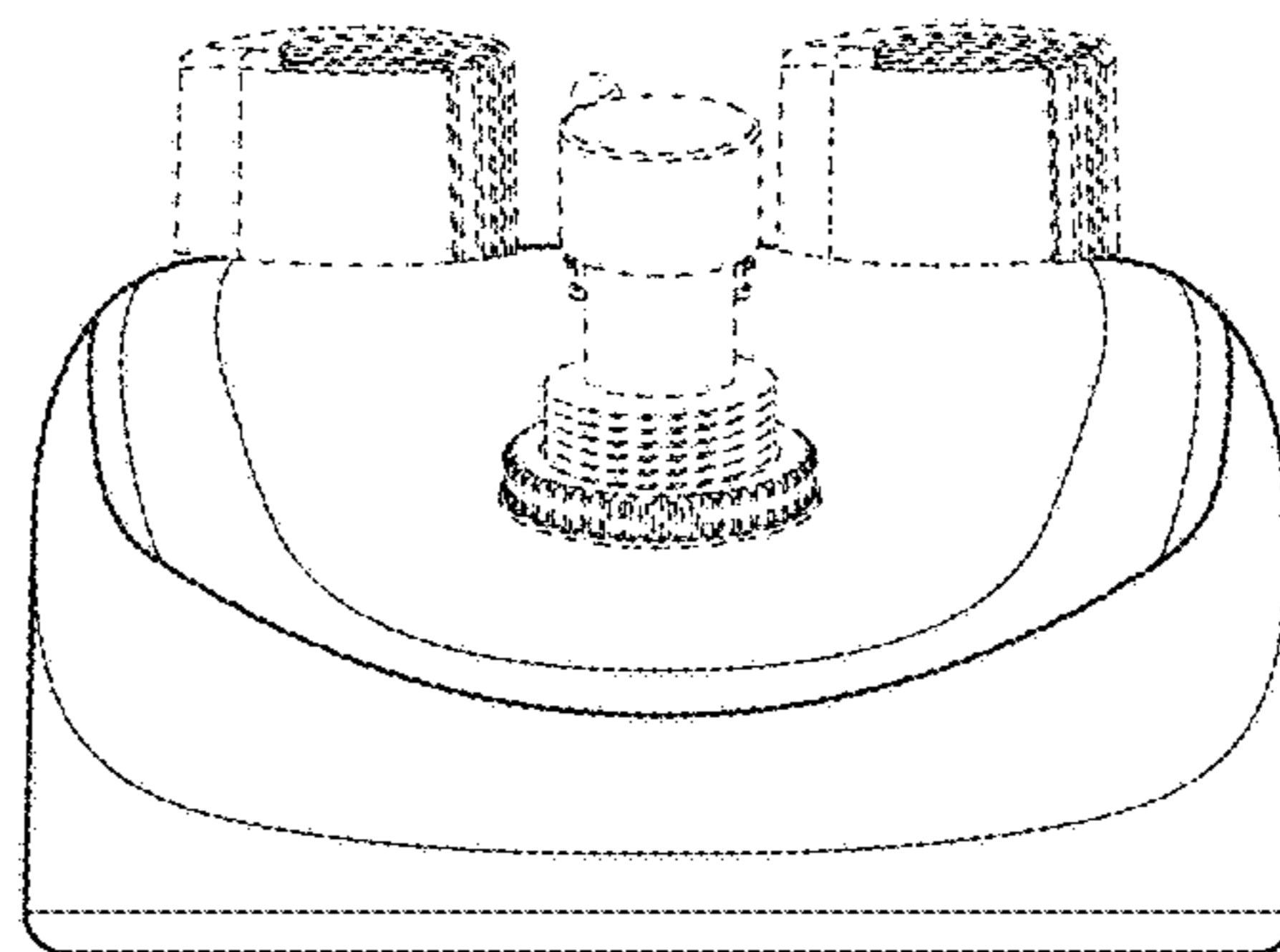


FIG. 7