



US00D853466S

(12) **United States Design Patent** (10) **Patent No.:** **US D853,466 S**
DeMarino (45) **Date of Patent:** **** Jul. 9, 2019**

(54) **CAMERA EXTENSION POLE**
(71) Applicant: **George DeMarino**, San Marcos, CA (US)
(72) Inventor: **George DeMarino**, San Marcos, CA (US)
(73) Assignee: **George DeMarino**, San Marcos, CA (US)
(**) Term: **15 Years**
(21) Appl. No.: **29/621,824**
(22) Filed: **Oct. 11, 2017**
(51) **LOC (11) Cl.** **16-05**
(52) **U.S. Cl.**
USPC **D16/243**
(58) **Field of Classification Search**
USPC D16/219, 237-250; D14/224, 229, 238, D14/251, 253, 447, 451, 457
CPC . G03B 17/56; G03B 17/561-568; A45F 5/00; A45F 5/10
See application file for complete search history.

D780,248 S * 2/2017 Anari, III D16/242
D783,701 S * 4/2017 Anari D16/243
D812,126 S * 3/2018 Paterson D16/243

OTHER PUBLICATIONS

Features | Hawk Eye Video Pole. [online] Retrieved Sep. 24, 2018 from URL: <https://hawkeyevideopole.com/features>.
Smatree Y2 Telescoping Pole with Tripod Stand for GoPro Hero Fusion/6/5/4/3+/3/2/Session/GOPRO Hero (2018)(WiFi Remote Controller is Not Included) action cameras,for iPhone Series and Other cellphones. [online] Retrieved Sep. 24, 2018 from URL: https://www.amazon.com/dp/B00XXLUC5Q/ref=psdc_499314_t1_B077XCM4DG.

(Continued)

Primary Examiner — Vy N Koenig
(74) *Attorney, Agent, or Firm* — Rowan TELS LLC

(57) **CLAIM**

The ornamental design for a camera extension pole, as shown and described.

DESCRIPTION

FIG. 1 illustrates a front perspective view of a camera extension pole showing the new design.
FIG. 2 illustrates a left orthogonal view thereof;
FIG. 3 illustrates a right orthogonal view thereof;
FIG. 4 illustrates a rear orthogonal view thereof;
FIG. 5 illustrates an enlarged perspective view of a bottom section thereof;
FIG. 6 illustrates a top elevational view thereof;
FIG. 7 illustrates a bottom elevational view thereof; and,
FIG. 8 illustrates a right perspective view thereof.
The broken lines showing are included for the purpose of illustrating the environment of the design only and form no part of the claimed design.

1 Claim, 8 Drawing Sheets

(56) **References Cited**
U.S. PATENT DOCUMENTS
D327,083 S * 6/1992 Hayakawa D16/242
D382,286 S * 8/1997 Doran 224/908
D386,510 S * 11/1997 Peterson D16/244
7,845,602 B1 * 12/2010 Young F16B 7/1409
248/125.8
8,146,876 B1 * 4/2012 Young F16B 7/1409
248/161
8,272,105 B2 * 9/2012 Roman B25G 1/04
15/144.4
9,360,744 B2 * 6/2016 Dering G03B 17/561
D765,649 S * 9/2016 Huang D14/253
D765,650 S * 9/2016 Huang D14/253
D766,230 S * 9/2016 Shepard D14/253
D780,247 S * 2/2017 Anari, III D16/242



(56)

References Cited

OTHER PUBLICATIONS

Elinchrom Handheld Boom Arm, Extends 24" to 5.1', Black. [online] Retrieved Sep. 24, 2018 from URL: https://www.adorama.com/e131049.html?gclid=EAla1QobChM1vMX-ai4PU3QIVloT1Ch2tUgNgEAQYBSABEglFsvD_BwE.*

YoungBlood The Elevator Photo Pole. [online] Retrieved Sep. 24, 2018 from URL: https://www.bhphotovideo.com/c/product/981652-REG/youngblood_the_elevator.html.*

20 foot camera pole telescopic aluminum monopod extends 20 feet. [online] Retrieved Sep. 24, 2018 from URL: https://www.ebay.com/i/142691656456?chn=ps.*

* cited by examiner

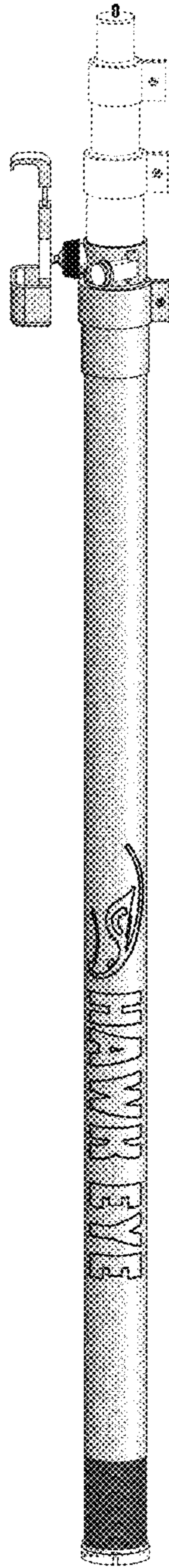


FIG. 1

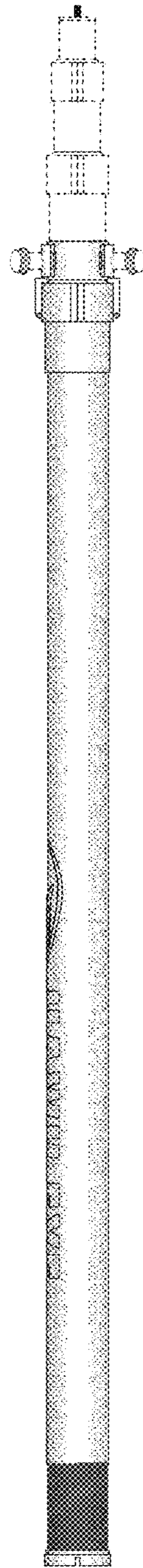


FIG. 2

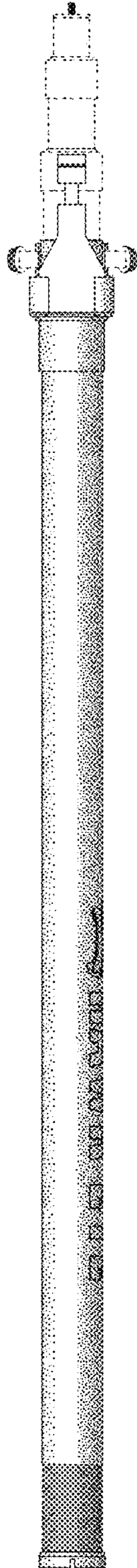


FIG. 3

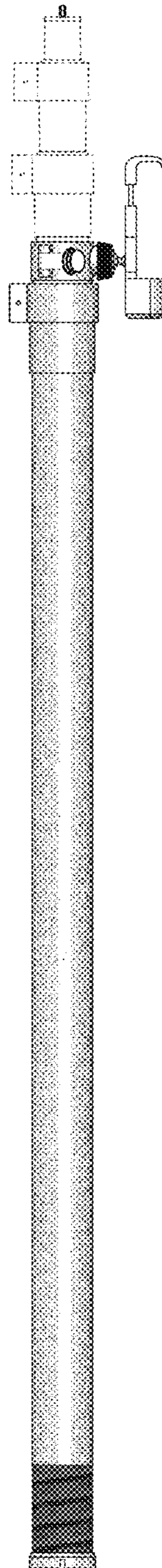


FIG. 4

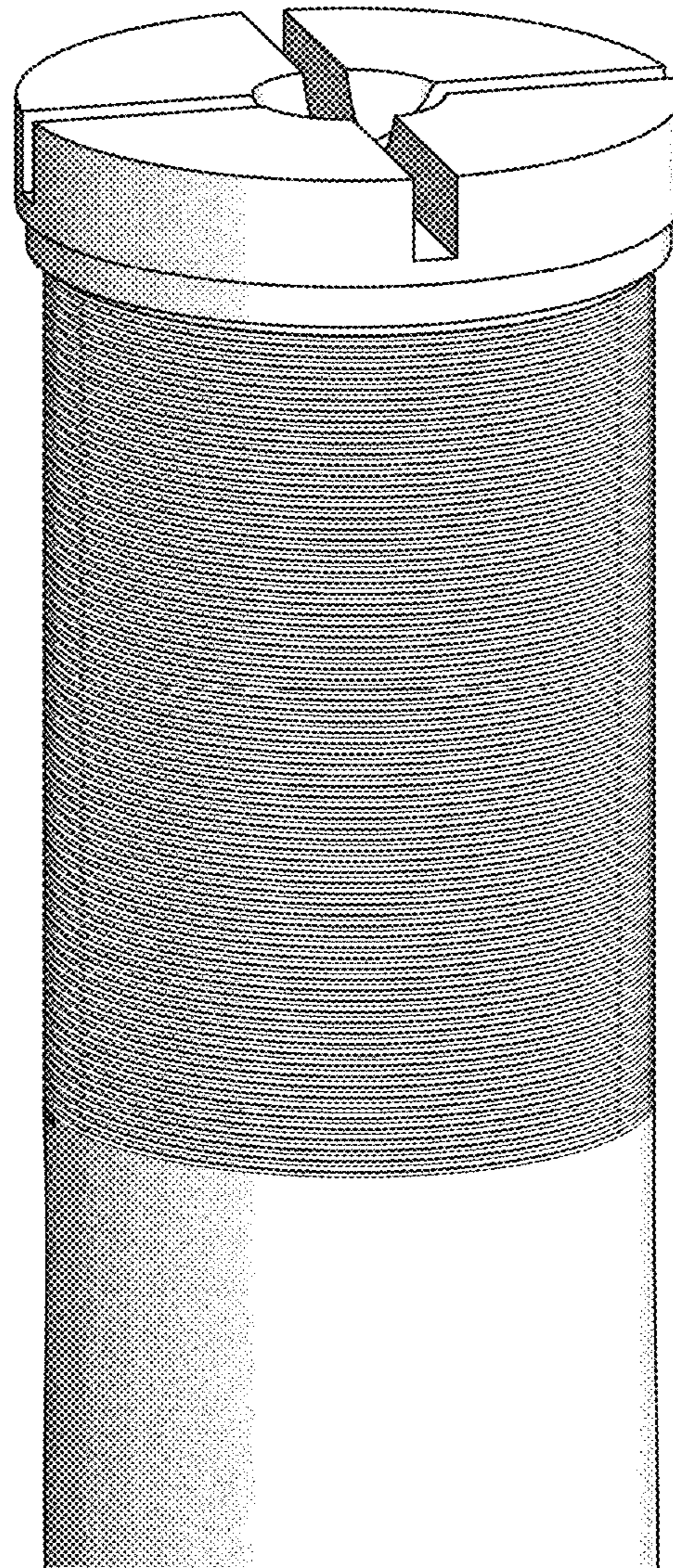


FIG. 5

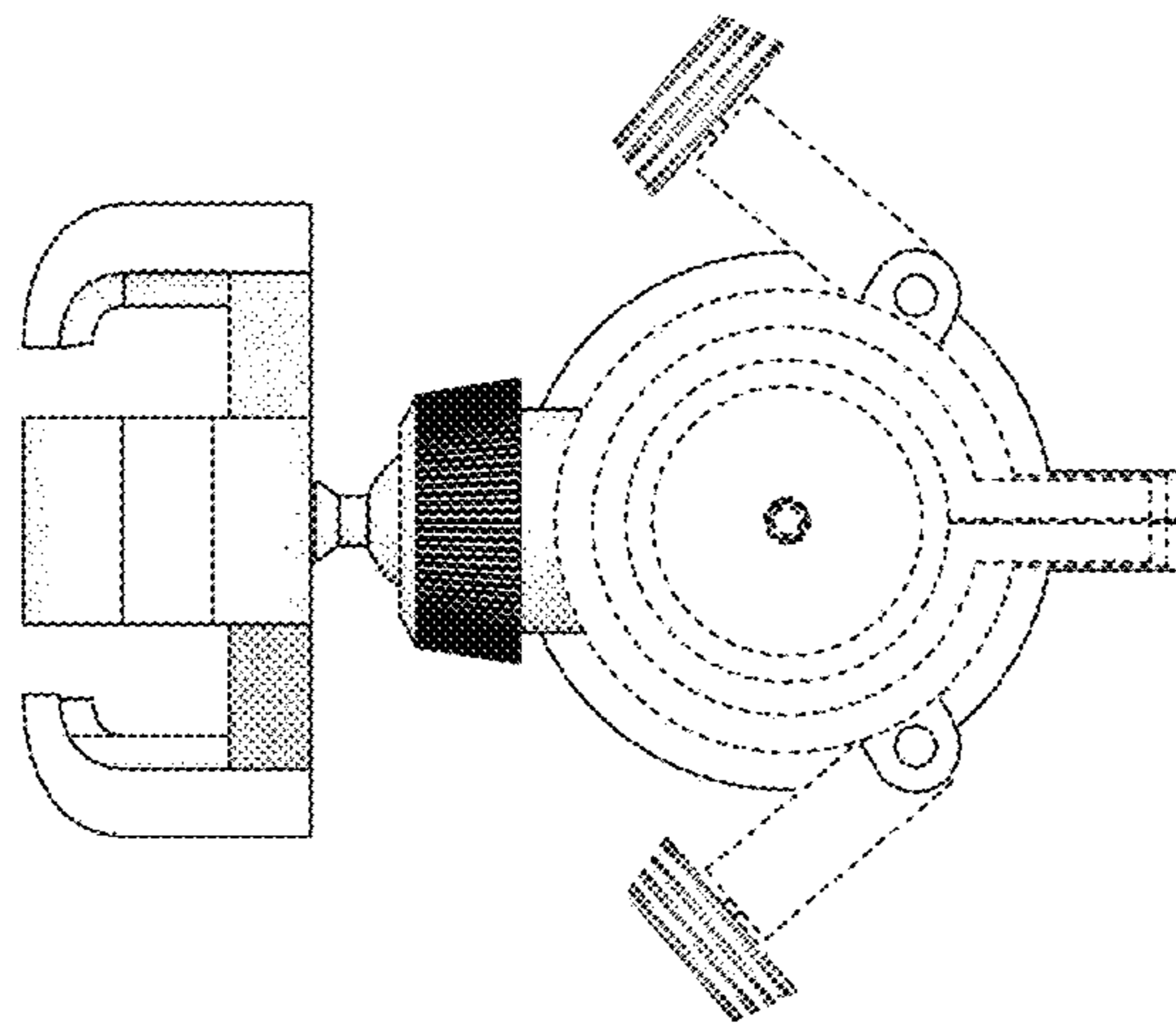


FIG. 6

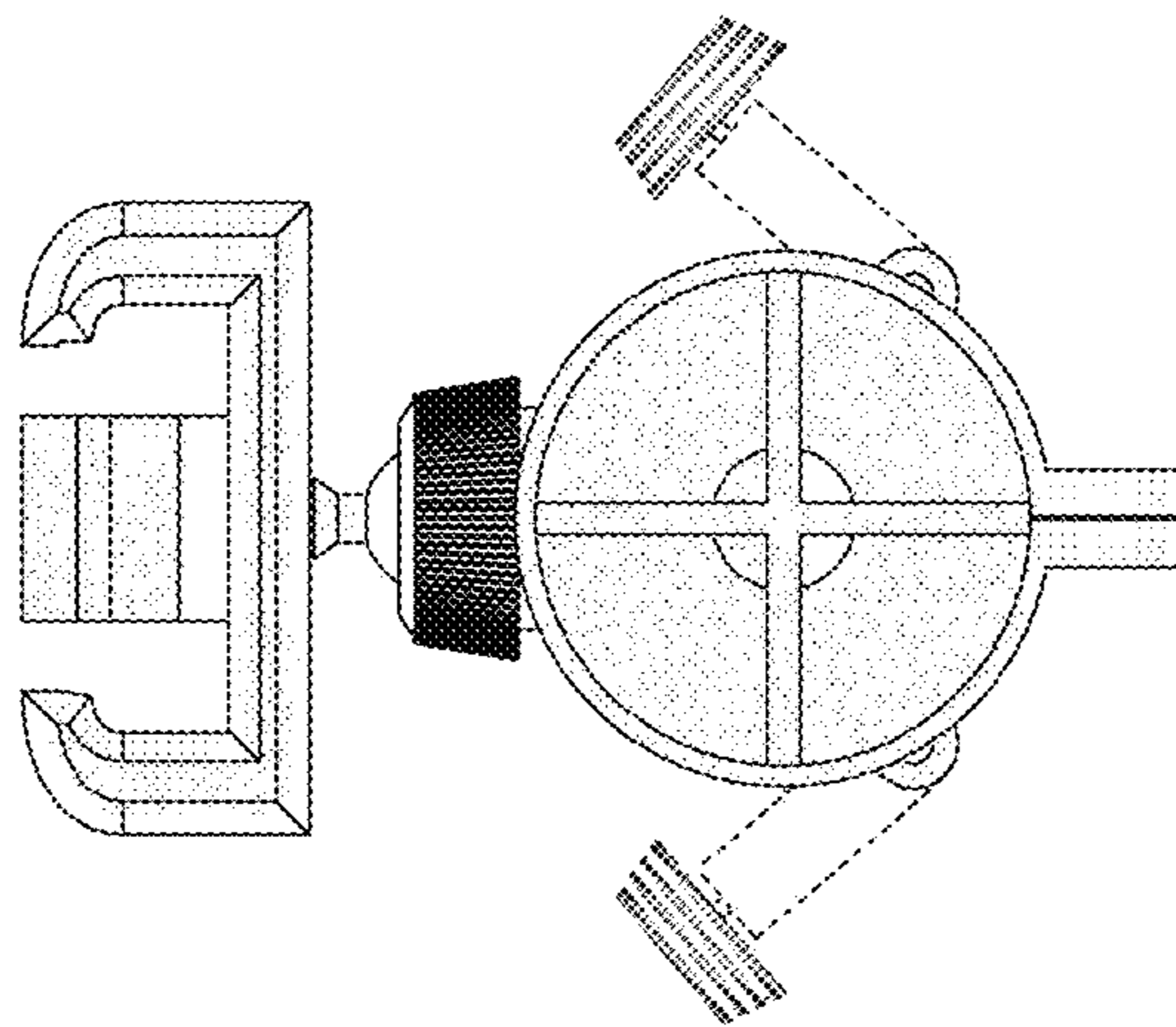


FIG. 7

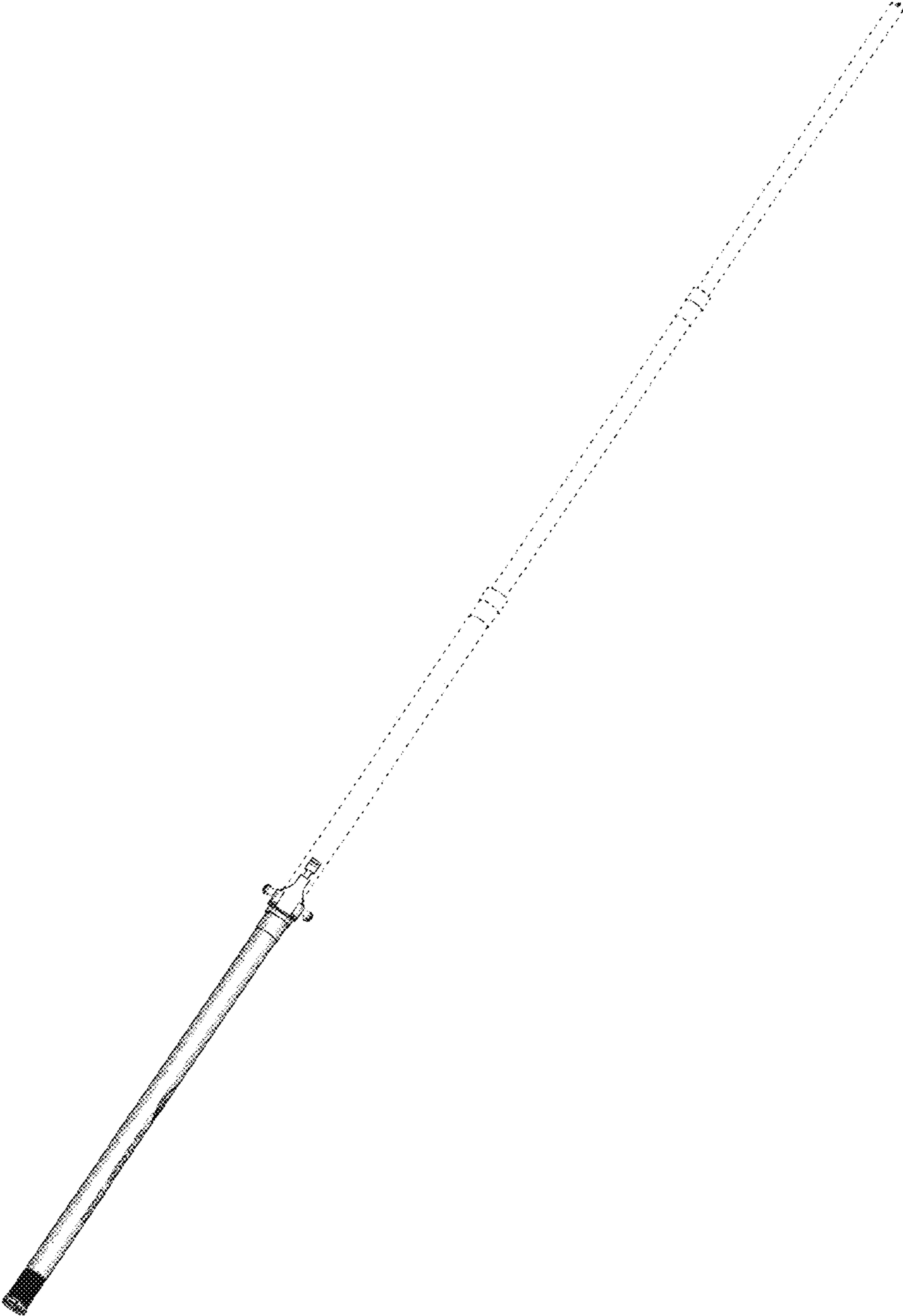


FIG. 8