



US00D853465S

(12) **United States Design Patent** (10) **Patent No.:** **US D853,465 S**
Rosenberg et al. (45) **Date of Patent:** **** Jul. 9, 2019**

(54) **MOUNTING DEVICE FOR A VIDEO CAMERA**

Primary Examiner — Vy N Koenig
(74) *Attorney, Agent, or Firm* — Kilpatrick Townsend & Stockton LLP

(71) Applicant: **Logitech Europe S.A.**, Lausanne (CH)

(72) Inventors: **Aron Michael Rosenberg**, Lafayette, CA (US); **Andrew Gartrell**, Walnut Creek, CA (US); **Gaurav Bradoo**, San Francisco, CA (US); **Timucin Kip**, Burlingame, CA (US)

(57) **CLAIM**

The ornamental design for the mounting device for a video camera, as shown and described.

(73) Assignee: **Logitech Europe S.A.**, Lausanne (CH)

DESCRIPTION

(**) Term: **15 Years**

FIG. 1 is a perspective view of a mounting device for a video camera showing our new design;
FIG. 2 is a second perspective view of thereof;
FIG. 3 is a third perspective view thereof presented in an exploded view;
FIG. 4 is a fourth perspective view thereof presented in an exploded view;
FIG. 5 is a front elevation view thereof;
FIG. 6 is a rear elevation view thereof;
FIG. 7 is a top plan view thereof;
FIG. 8 is a bottom plan view thereof;
FIG. 9 is a left side elevation view thereof; and
FIG. 10 is a right side elevation view thereof.
FIG. 11 is a perspective view of a mounting device for a video camera showing a second embodiment of our new design;
FIG. 12 is a second perspective view of thereof;
FIG. 13 is a third perspective view thereof presented in an exploded view;
FIG. 14 is a fourth perspective view thereof presented in an exploded view;
FIG. 15 is a front elevation view thereof;
FIG. 16 is a rear elevation view thereof;
FIG. 17 is a top plan view thereof;
FIG. 18 is a bottom plan view thereof;
FIG. 19 is a left side elevation view thereof; and,
FIG. 20 is a right side elevation view thereof.
Broken lines shown in the drawings depict environmental subject matter and form no part of the claimed design.

(21) Appl. No.: **29/612,538**

(22) Filed: **Aug. 1, 2017**

(51) **LOC (11) Cl.** **16-05**

(52) **U.S. Cl.**
USPC **D16/242**

(58) **Field of Classification Search**
USPC D16/219, 237–250; D14/224, 229, 238, D14/251, 253, 447, 451, 457; D8/354, D8/355, 363, 373, 382, 383, 394, 395, D8/396
CPC A45F 5/00; F16M 11/06–10; G02B 7/00–002; G03B 17/56; G03B 17/561;
(Continued)

(56) **References Cited**

U.S. PATENT DOCUMENTS

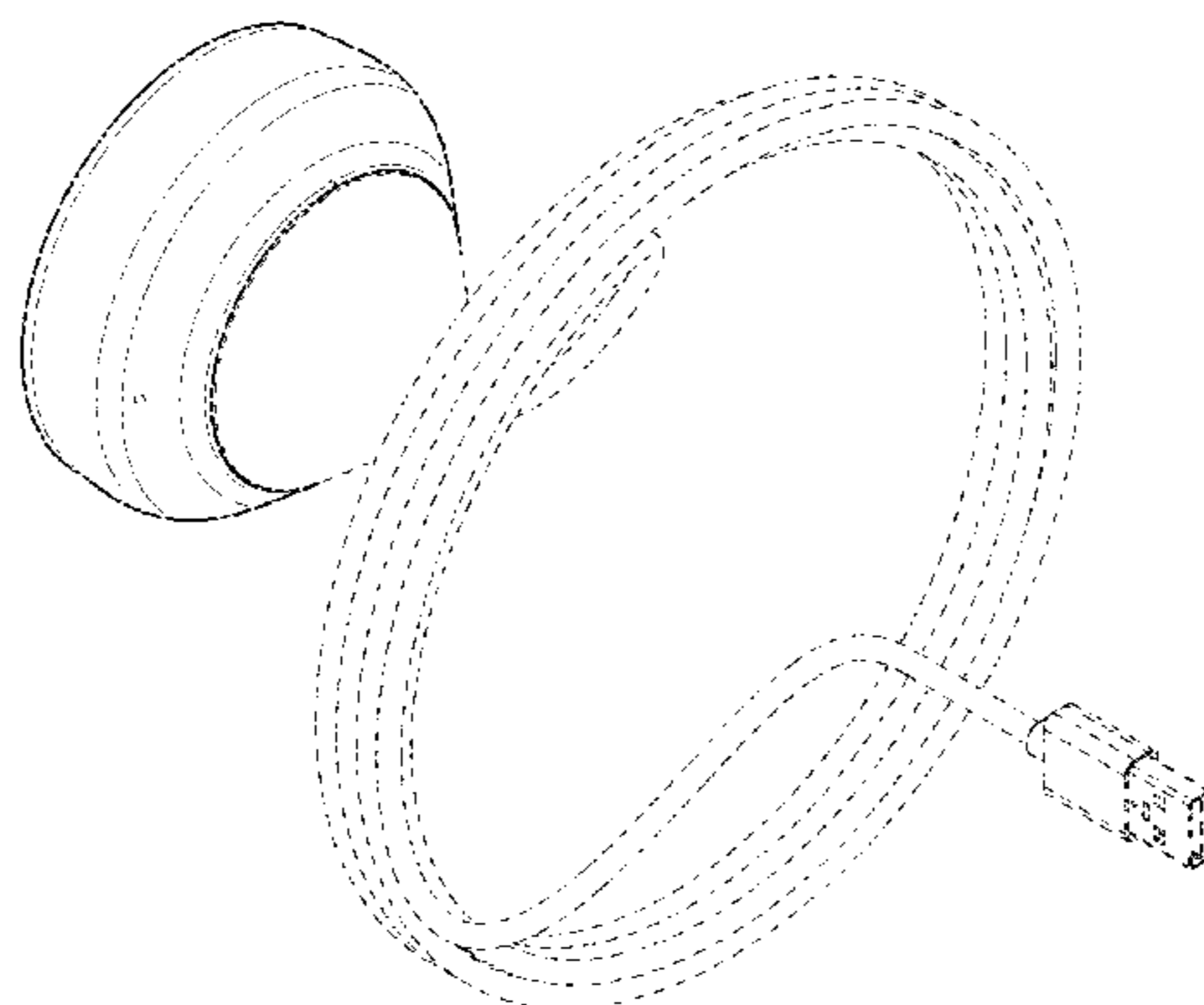
D364,795 S * 12/1995 Mekyska D8/354
D383,053 S * 9/1997 Schrader D23/262
D430,790 S * 9/2000 Kuo D8/363
(Continued)

OTHER PUBLICATIONS

Logitech—Camera Mounting Kit. [online] Published Jan. 24, 2018. Retrieved May 9, 2018 from URL: <https://www.dell.com/en-us/work/shop/accessories/apd/a9954848>.*

(Continued)

1 Claim, 18 Drawing Sheets



(58) **Field of Classification Search**
 CPC .. G03B 17/563; G03B 17/565; G03B 17/566;
 G03B 17/568; H04N 5/2253–2254
 See application file for complete search history.

(56) **References Cited**

U.S. PATENT DOCUMENTS

D431,451 S *	10/2000	Kuo	D8/367
D485,743 S *	1/2004	Wilson, Sr.	D8/354
D529,065 S *	9/2006	Watanabe	D16/134
D745,079 S *	12/2015	Oh	D16/136
D749,666 S *	2/2016	Ahdoot	D14/218
D766,702 S *	9/2016	Hope	D8/354
D769,957 S *	10/2016	Hinkel	D16/219
D784,438 S *	4/2017	Randinelli	D16/242
9,948,837 B1 *	4/2018	Gartrell	B60R 11/04
2012/0062789 A1 *	3/2012	Sasaki	G03B 17/00 348/373

2012/0106943 A1 *	5/2012	Mukai	G03B 37/00 396/427
2013/0287385 A1 *	10/2013	Andersson	H04N 5/2252 396/427
2015/0177596 A1 *	6/2015	Bergsten	F16M 13/022 248/205.1
2017/0139310 A1 *	5/2017	Yasuda	G02B 27/0006
2017/0255083 A1 *	9/2017	Donaldson	G03B 17/02
2017/0299949 A1 *	10/2017	Donaldson	G03B 17/02

OTHER PUBLICATIONS

Honeywell Lyric C2 1080p Indoor Round. [online] Published Aug. 11, 2017. Retrieved May 9, 2018 from URL: <https://www.homedepot.com/p/Honeywell-Lyric-C2-1080p-Indoor-Round-Wi-Fi-Security-Camera-Intelligent-Audio-Detection-Free-24-Hour-Cloud-Storage-Free-SD-Card-RCHC4400WF/301888542>.*

* cited by examiner

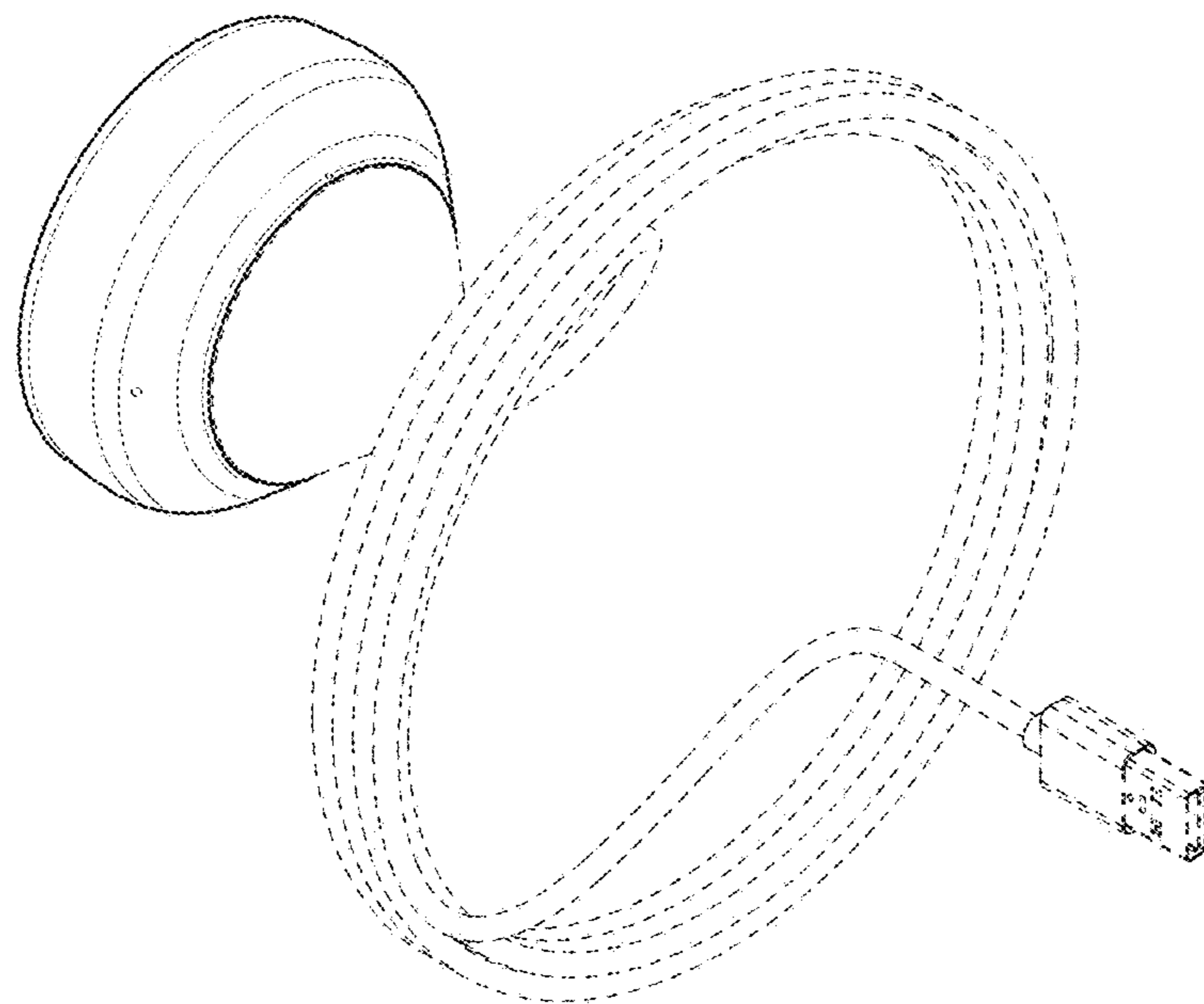


FIG. 1

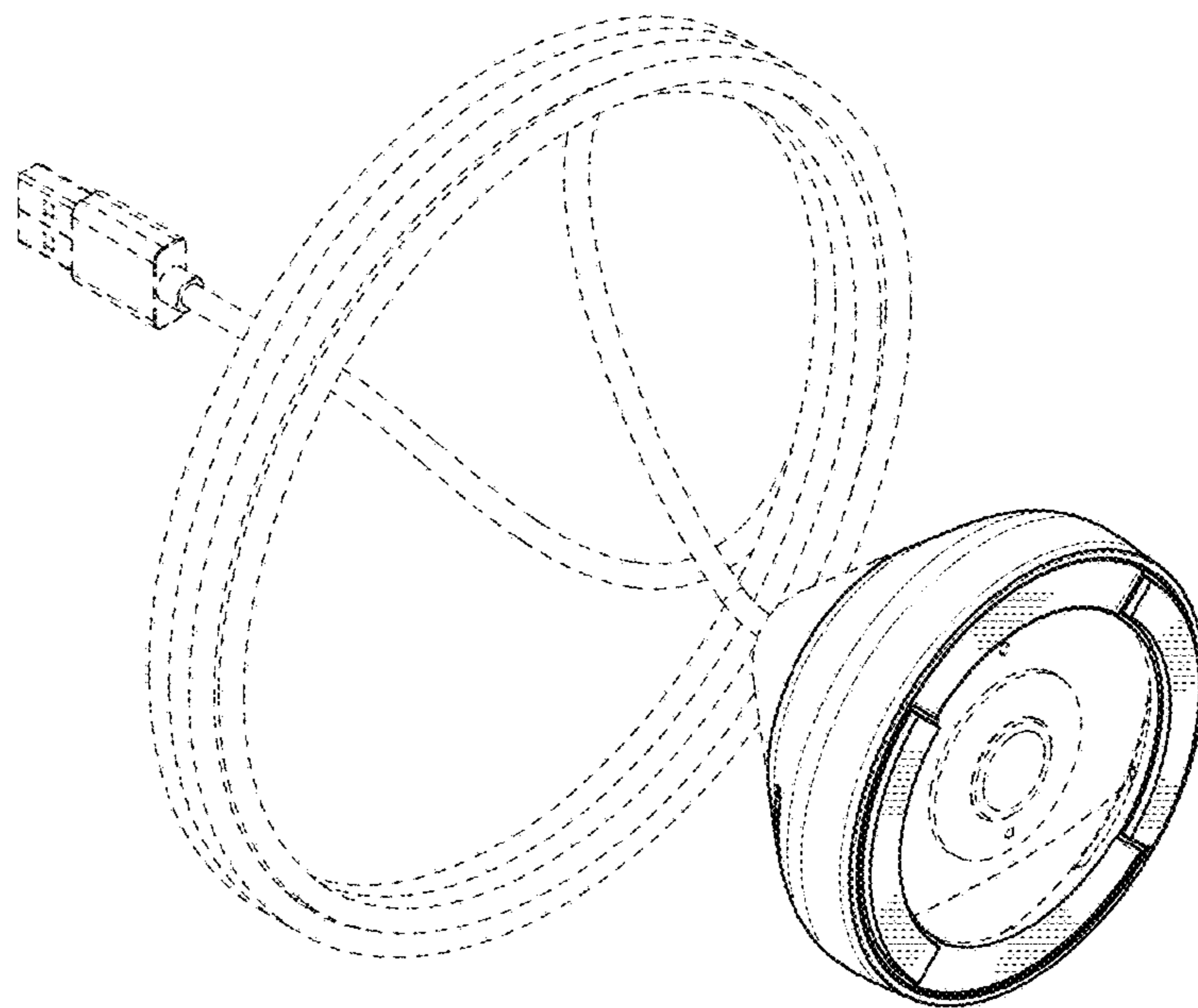


FIG. 2

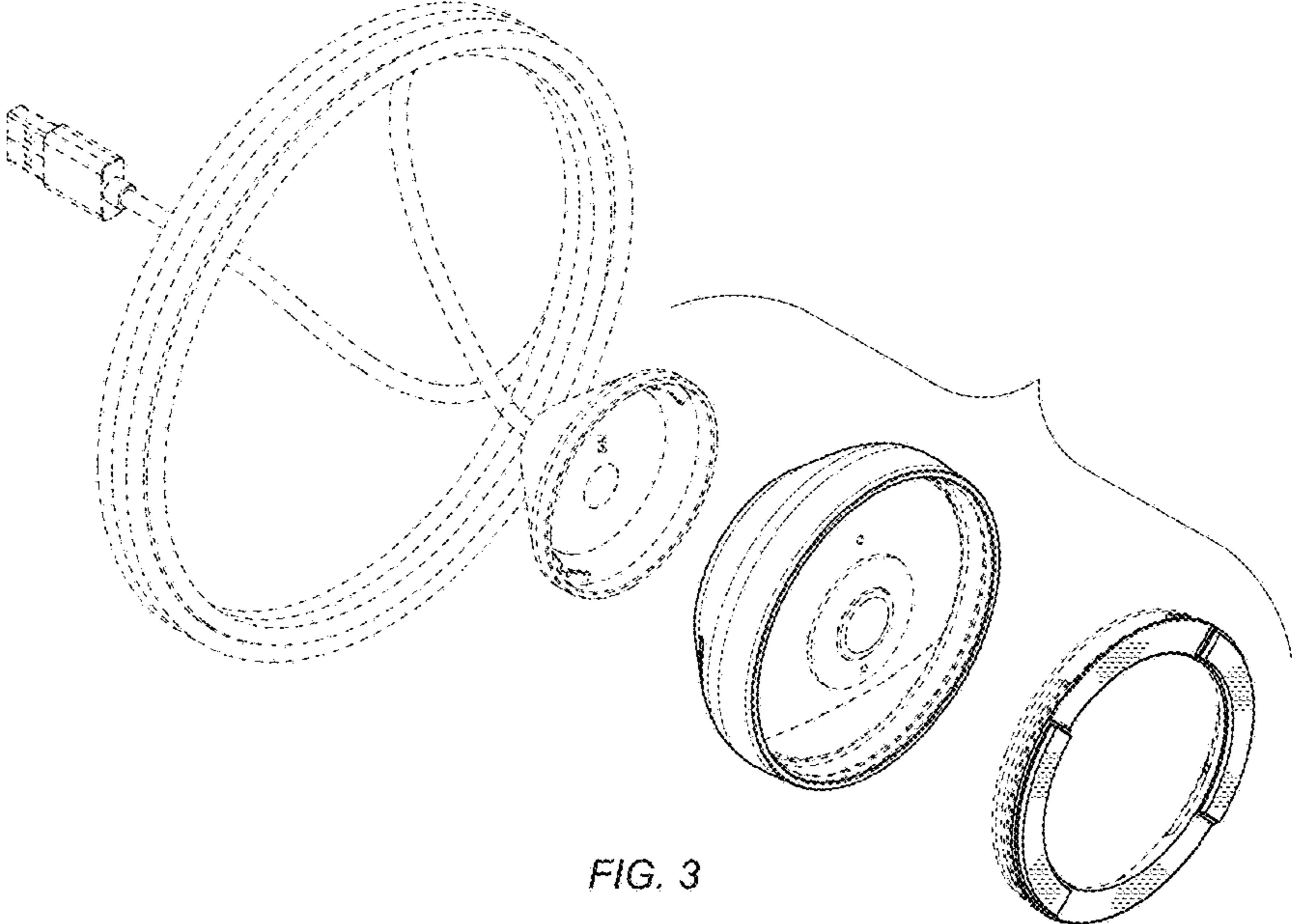


FIG. 3

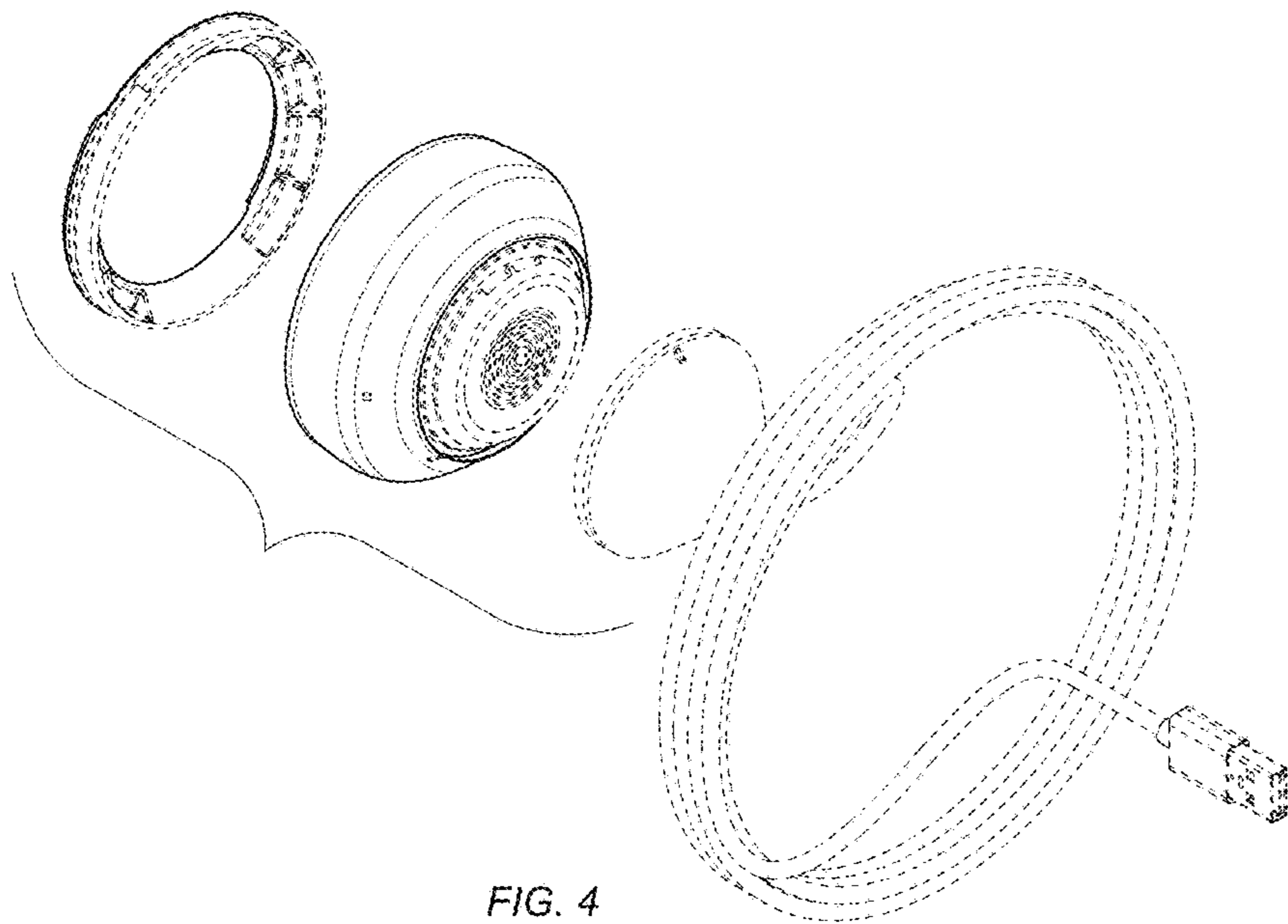


FIG. 4

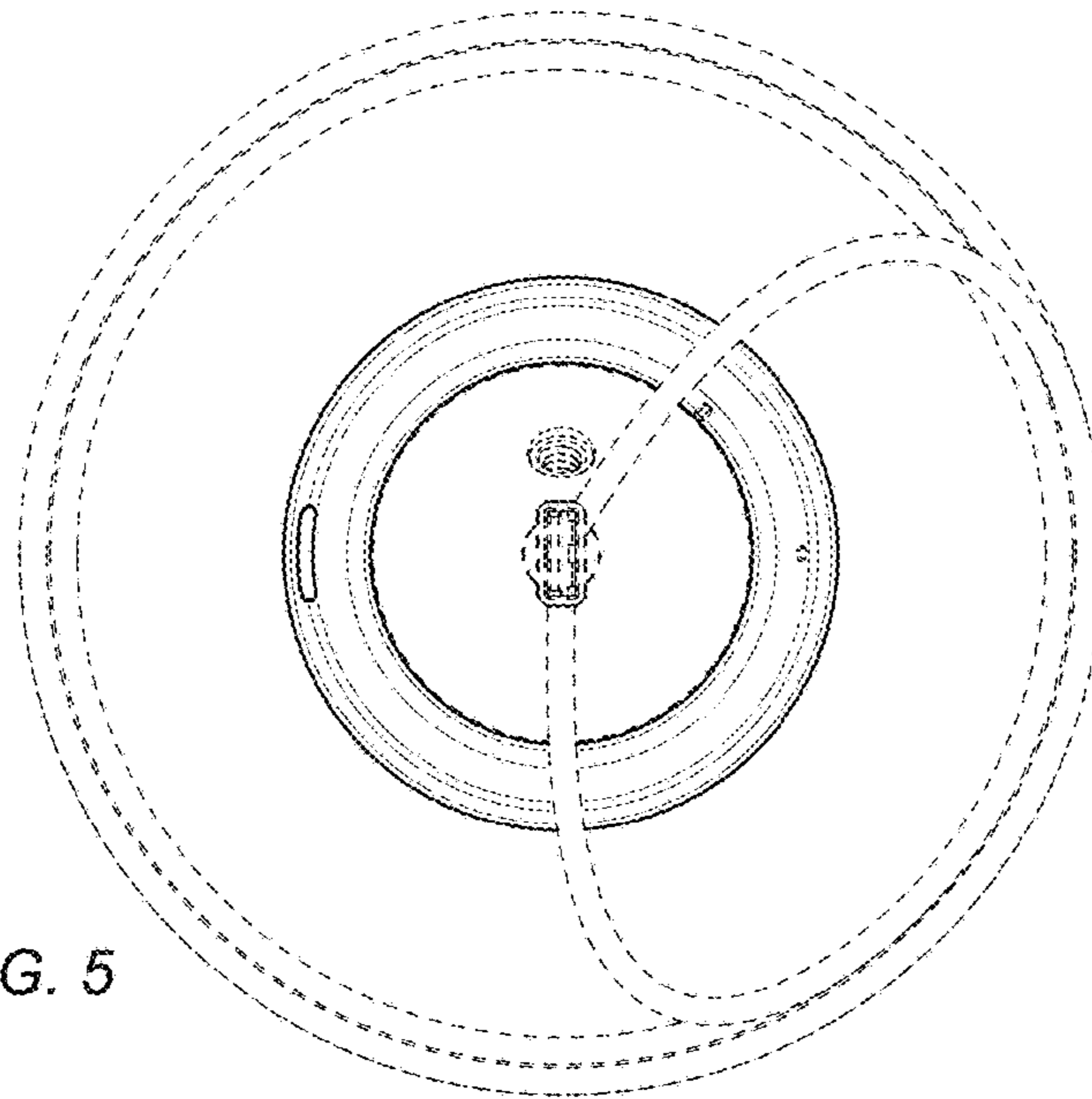


FIG. 5

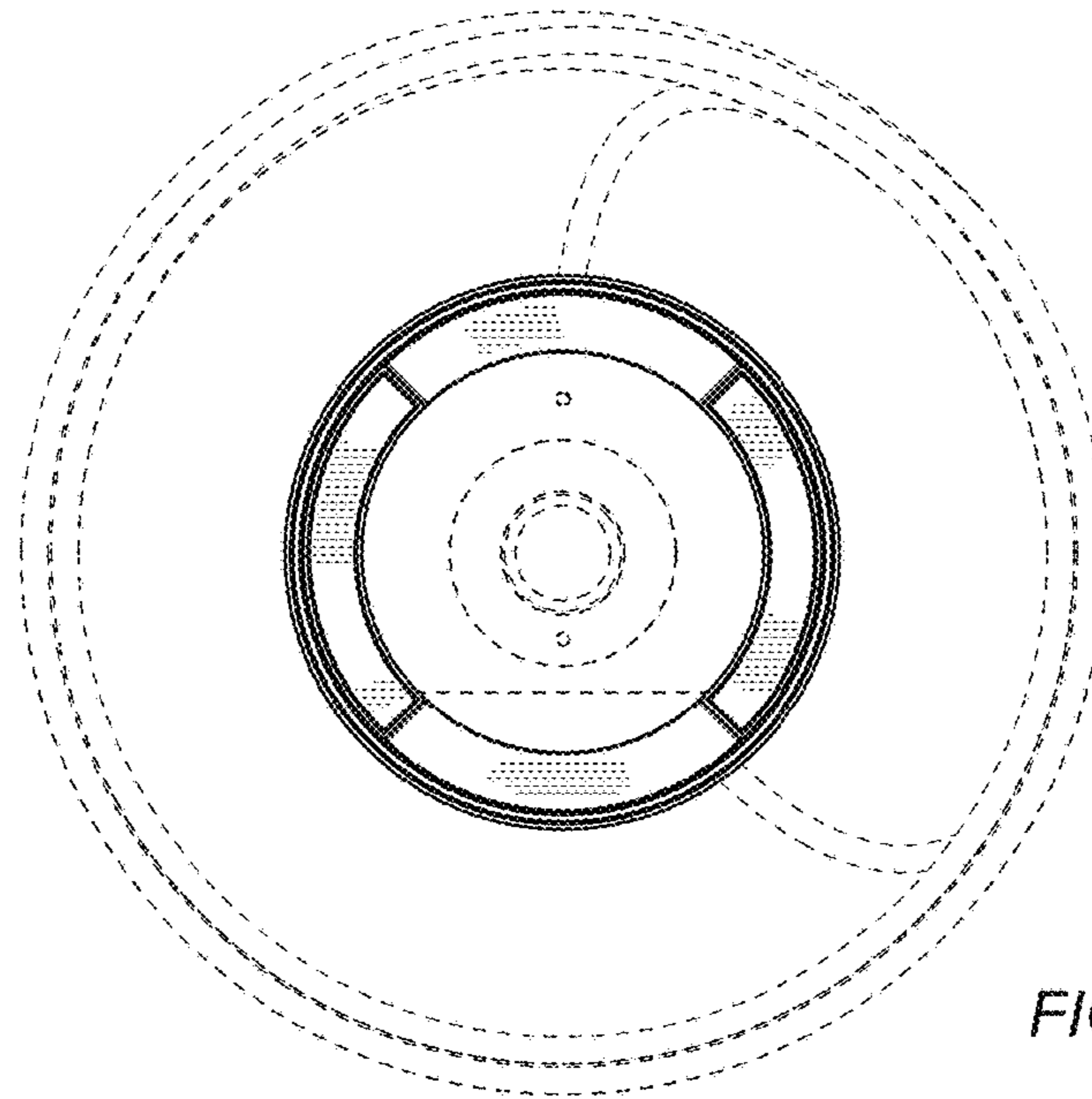


FIG. 6

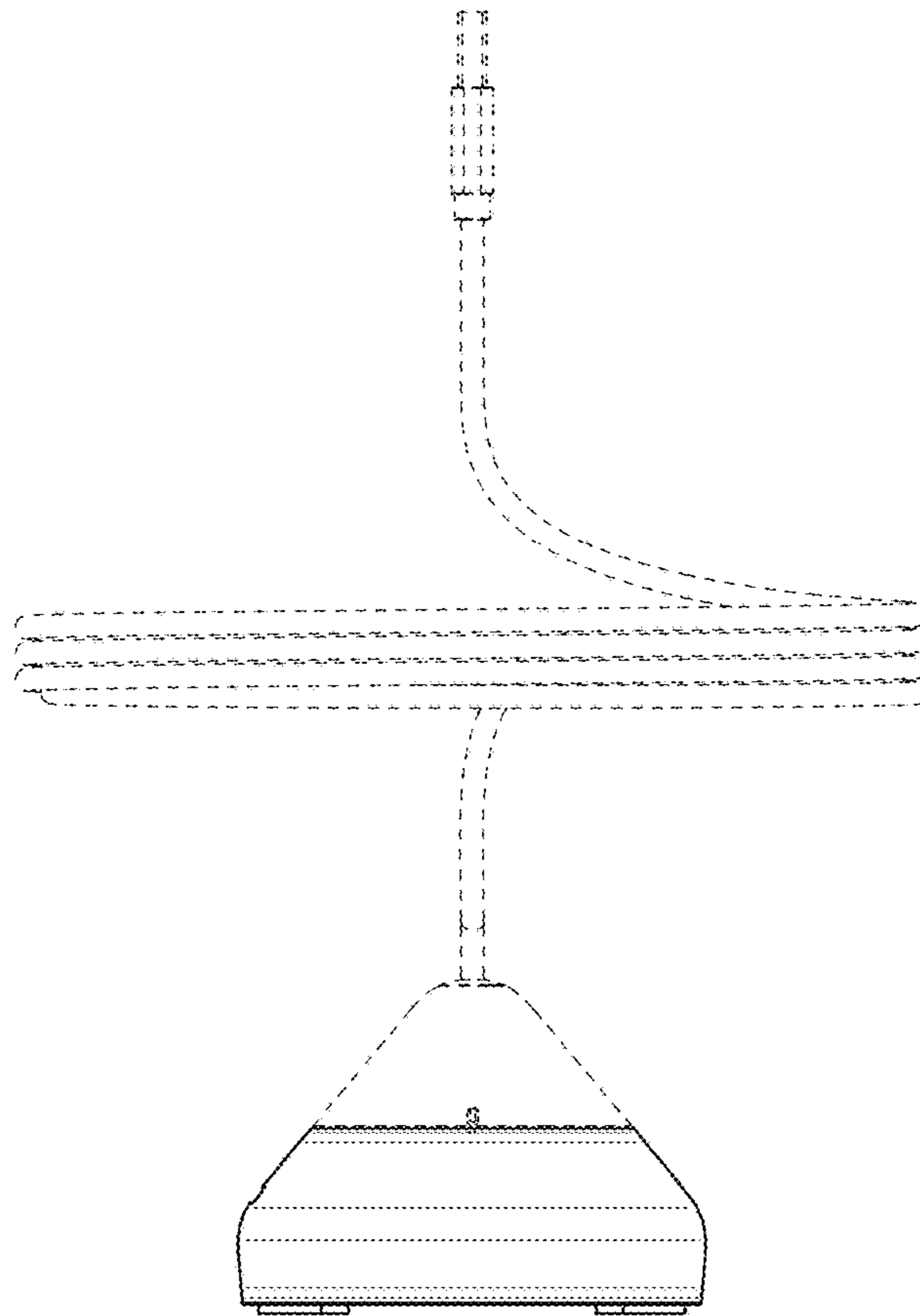


FIG. 7

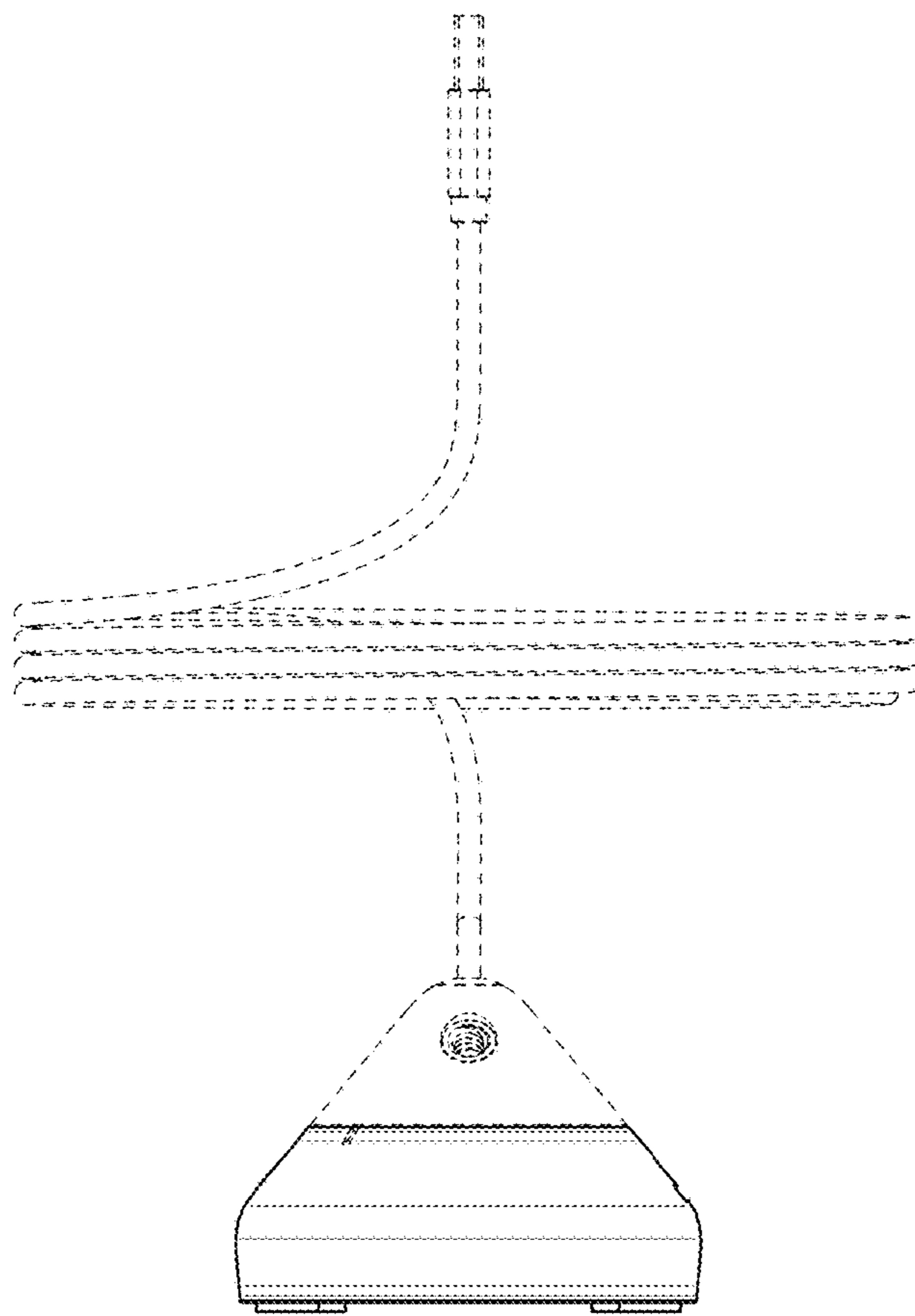


FIG. 8

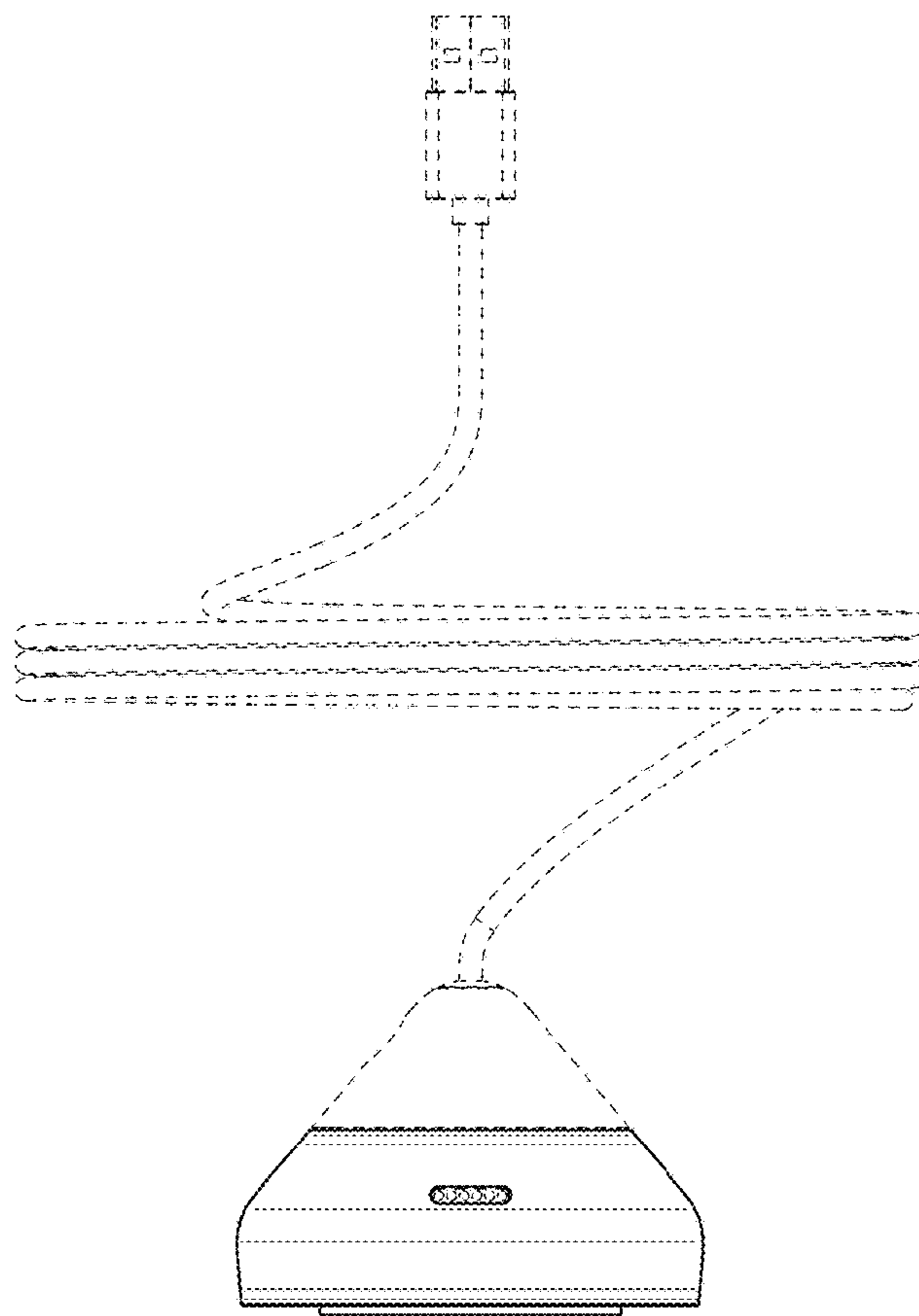


FIG. 9

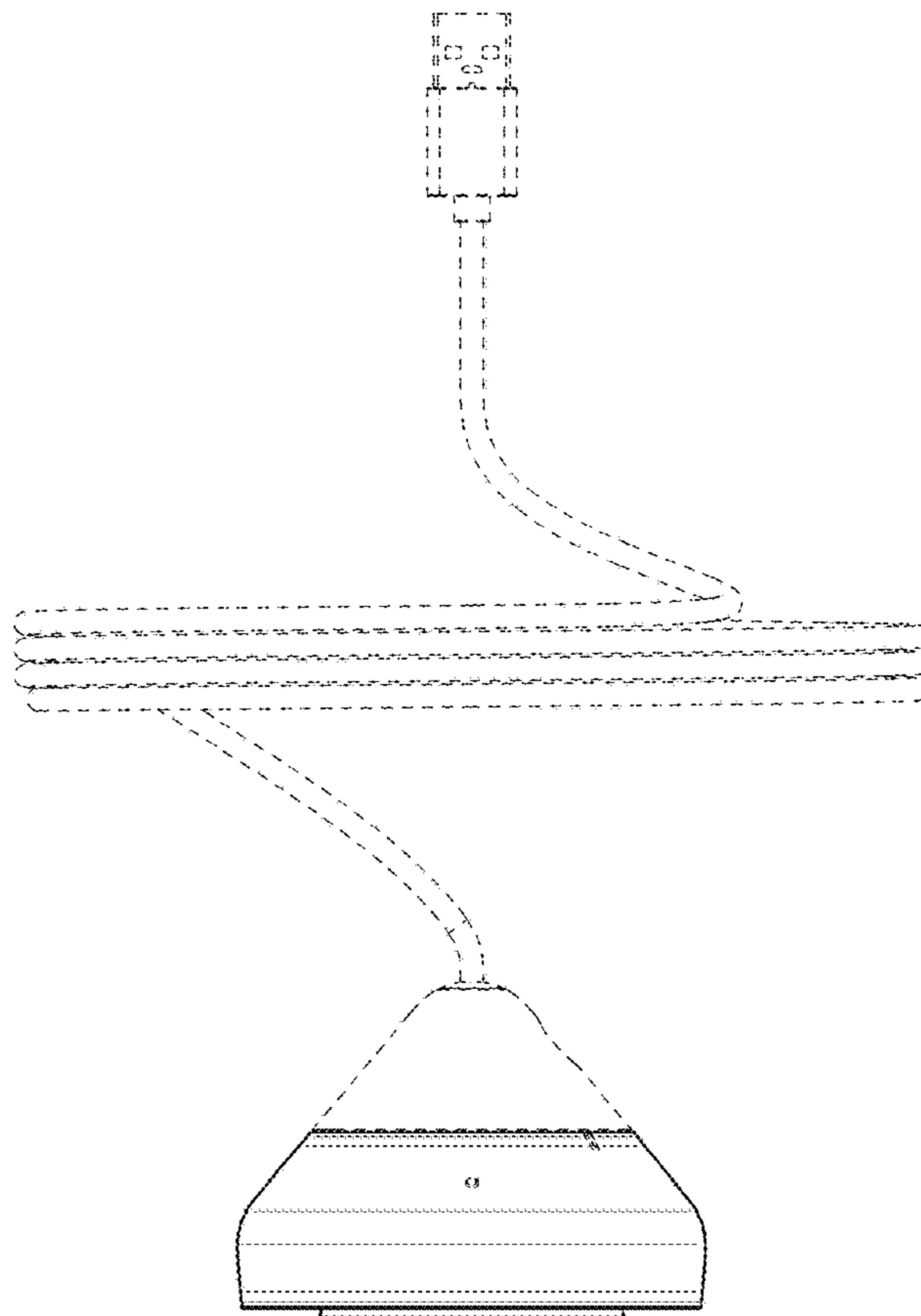


FIG. 10

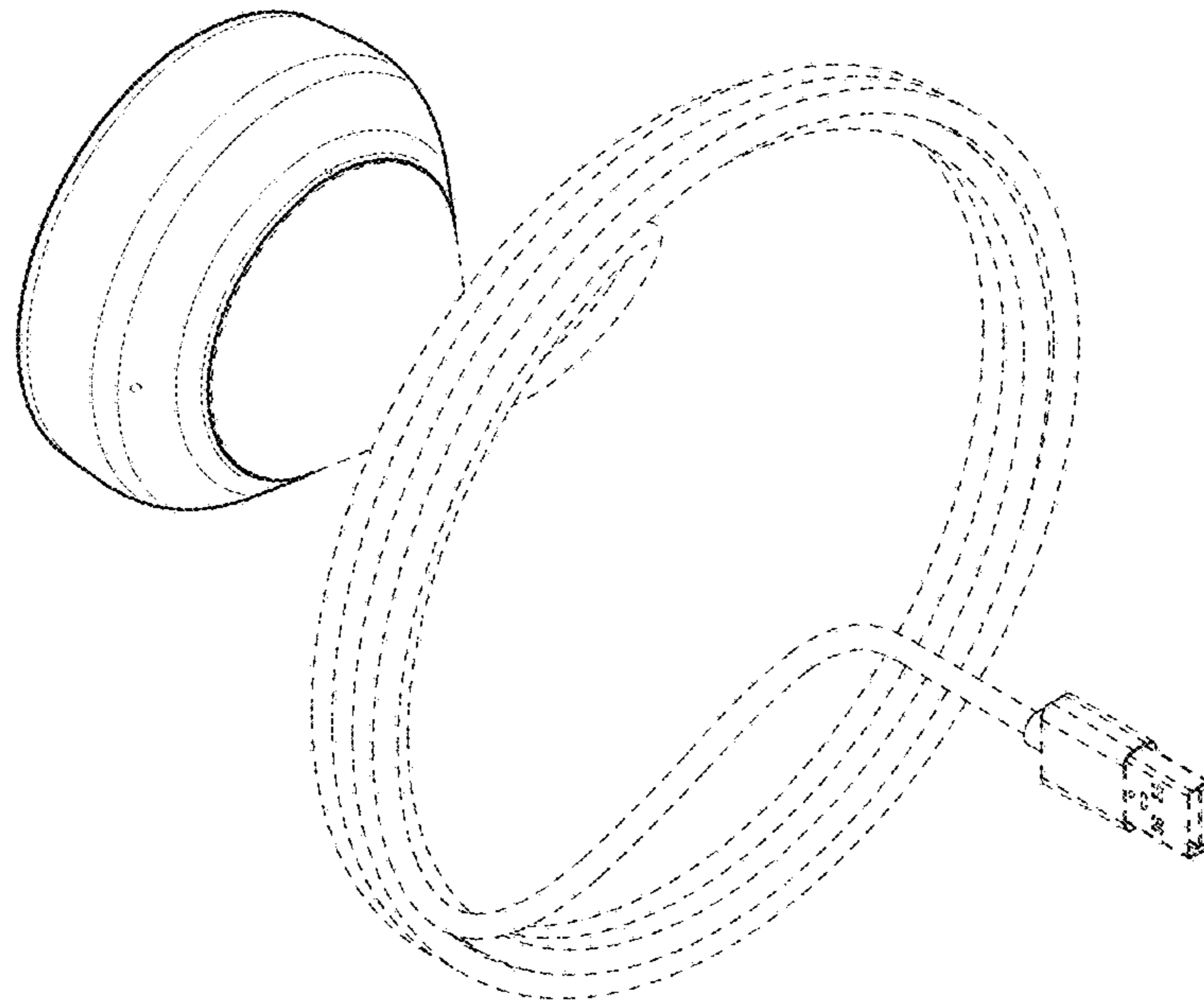


FIG. 11

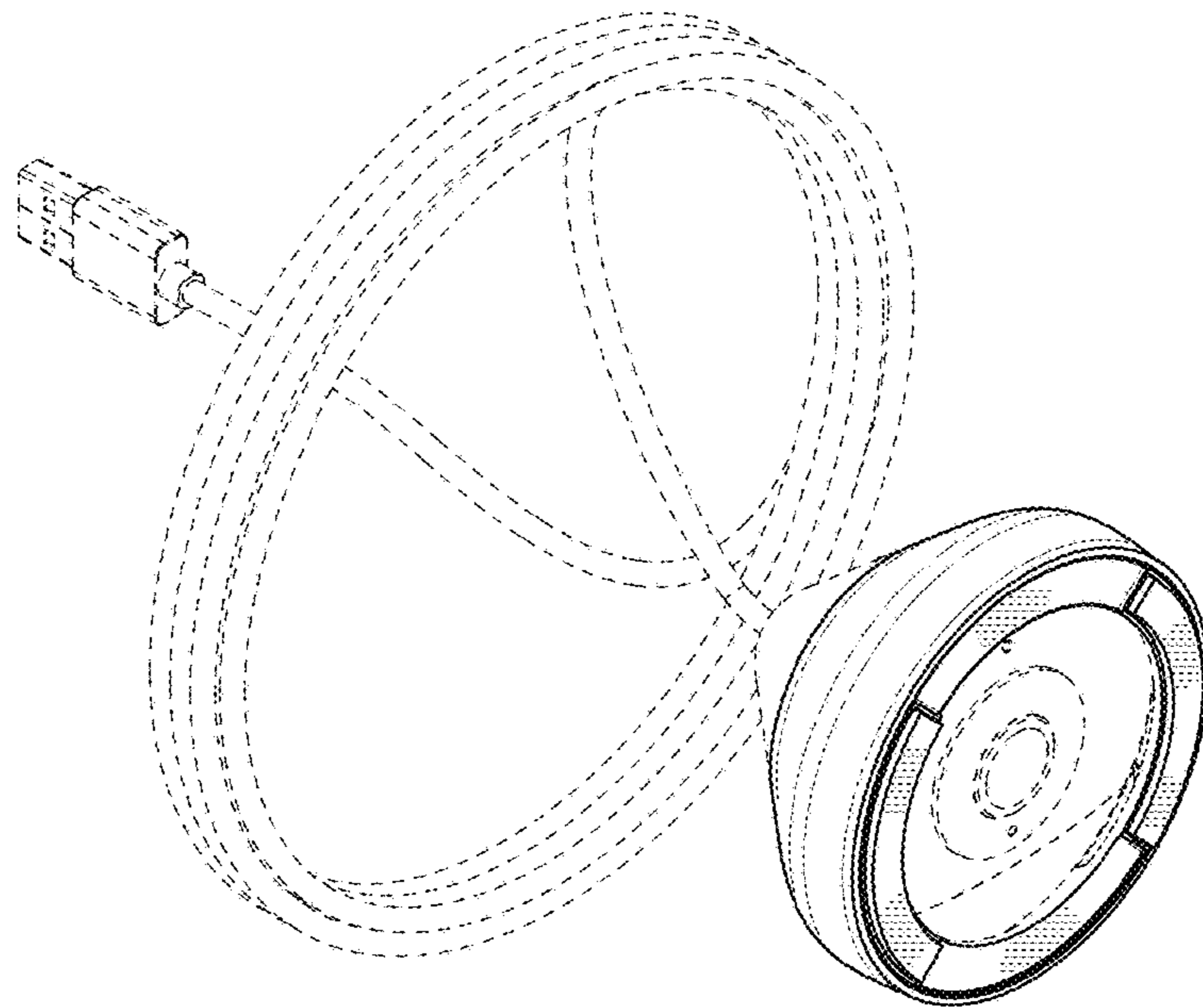


FIG. 12

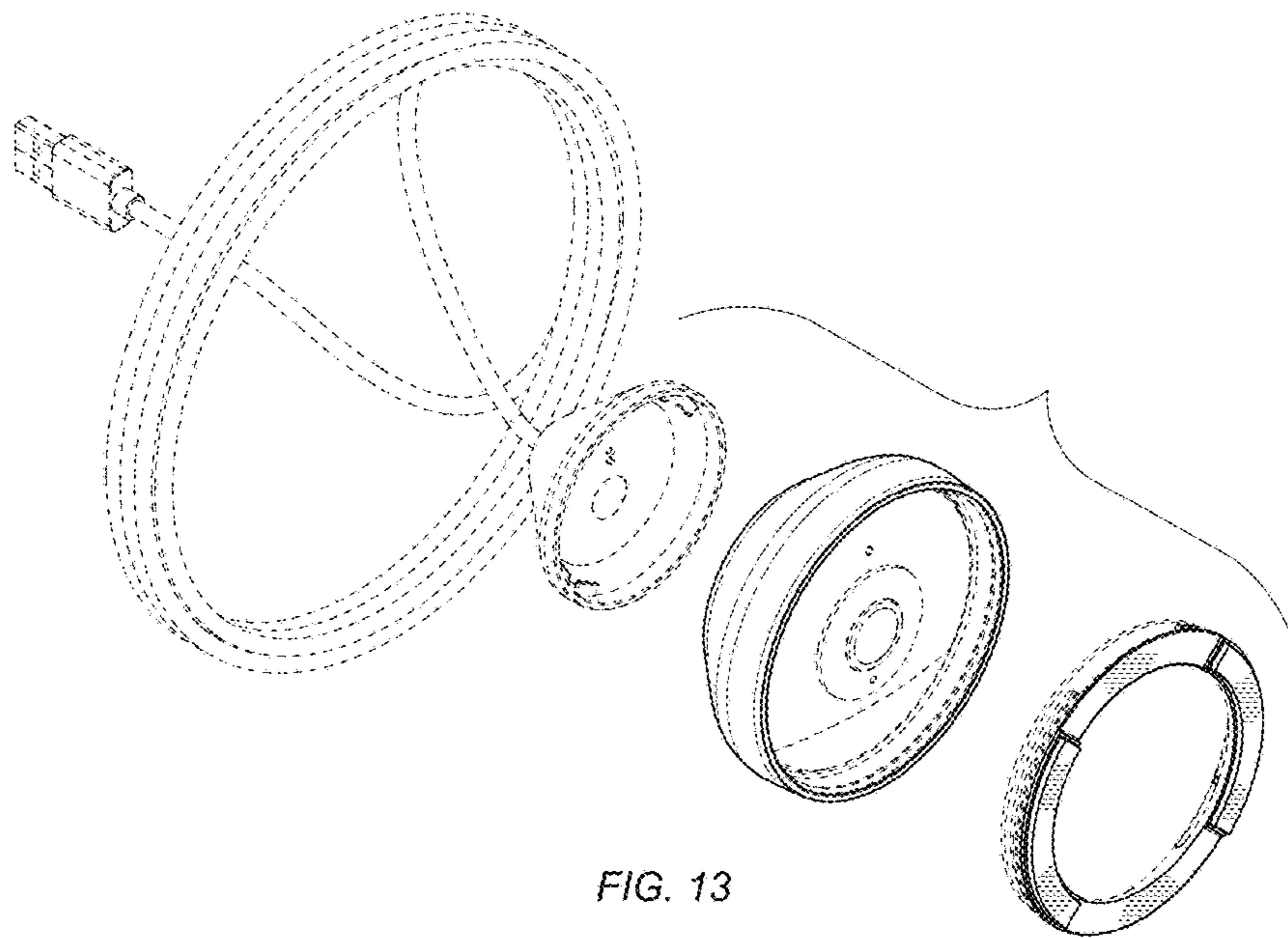


FIG. 13

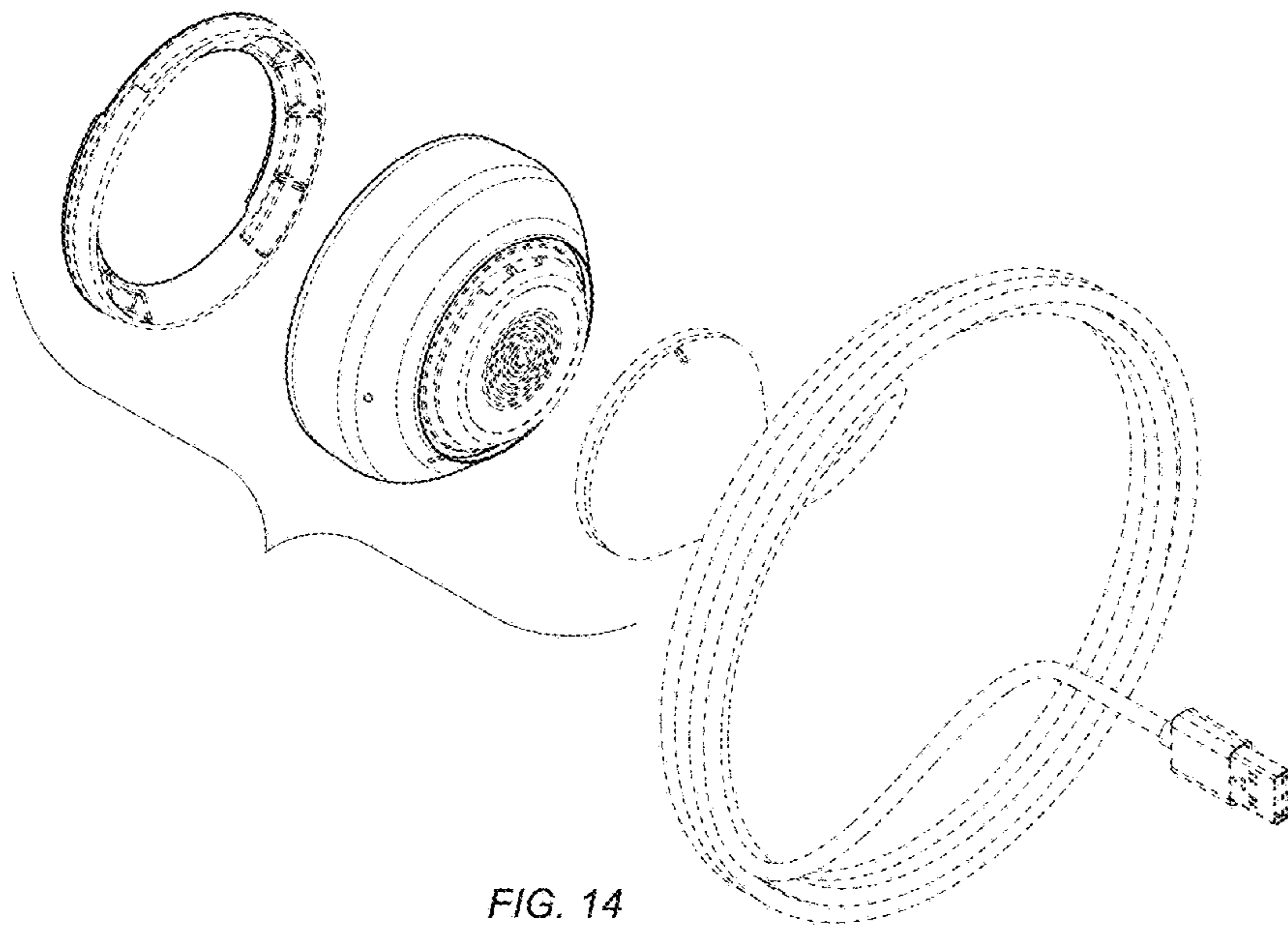


FIG. 14

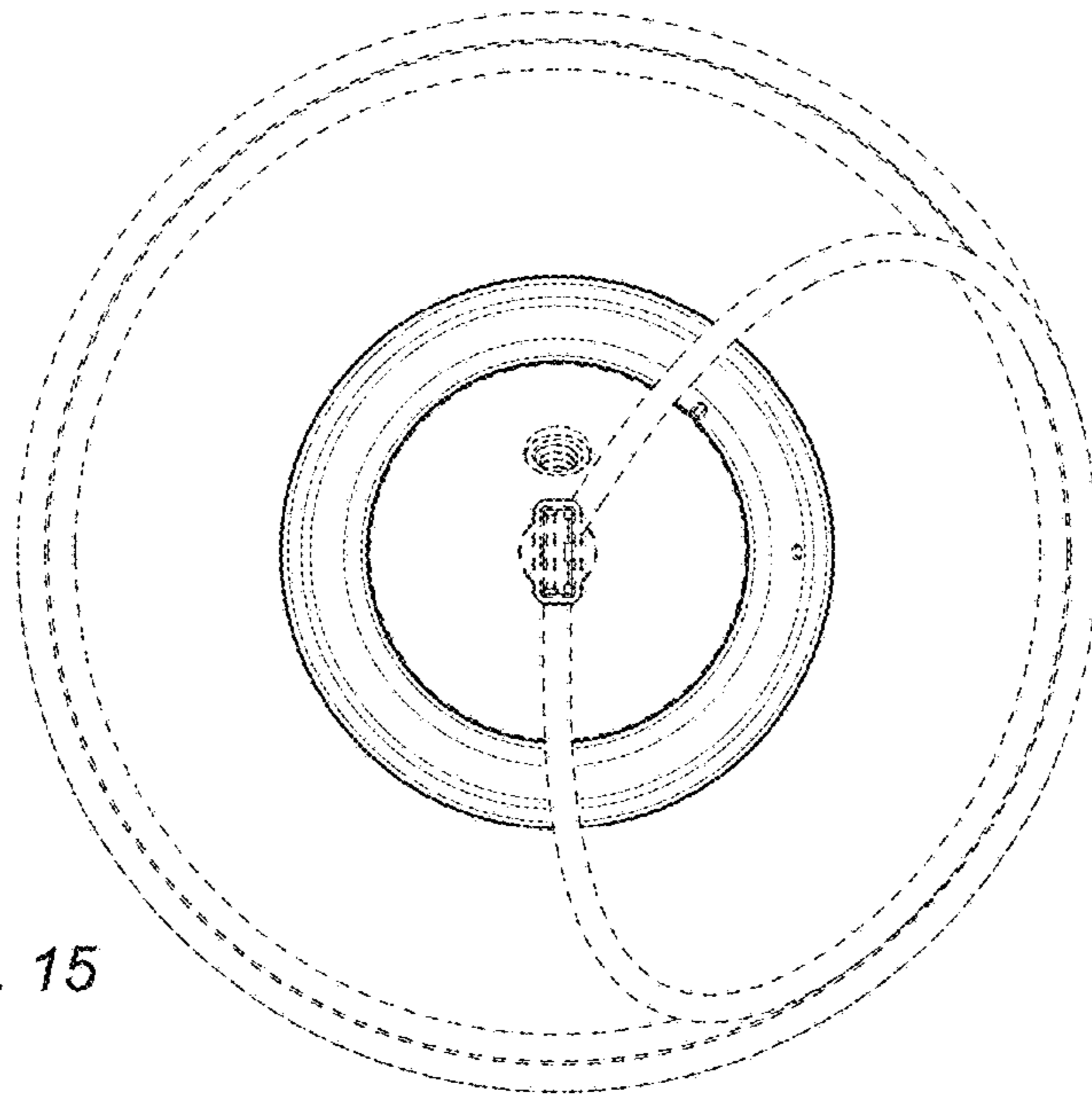


FIG. 15

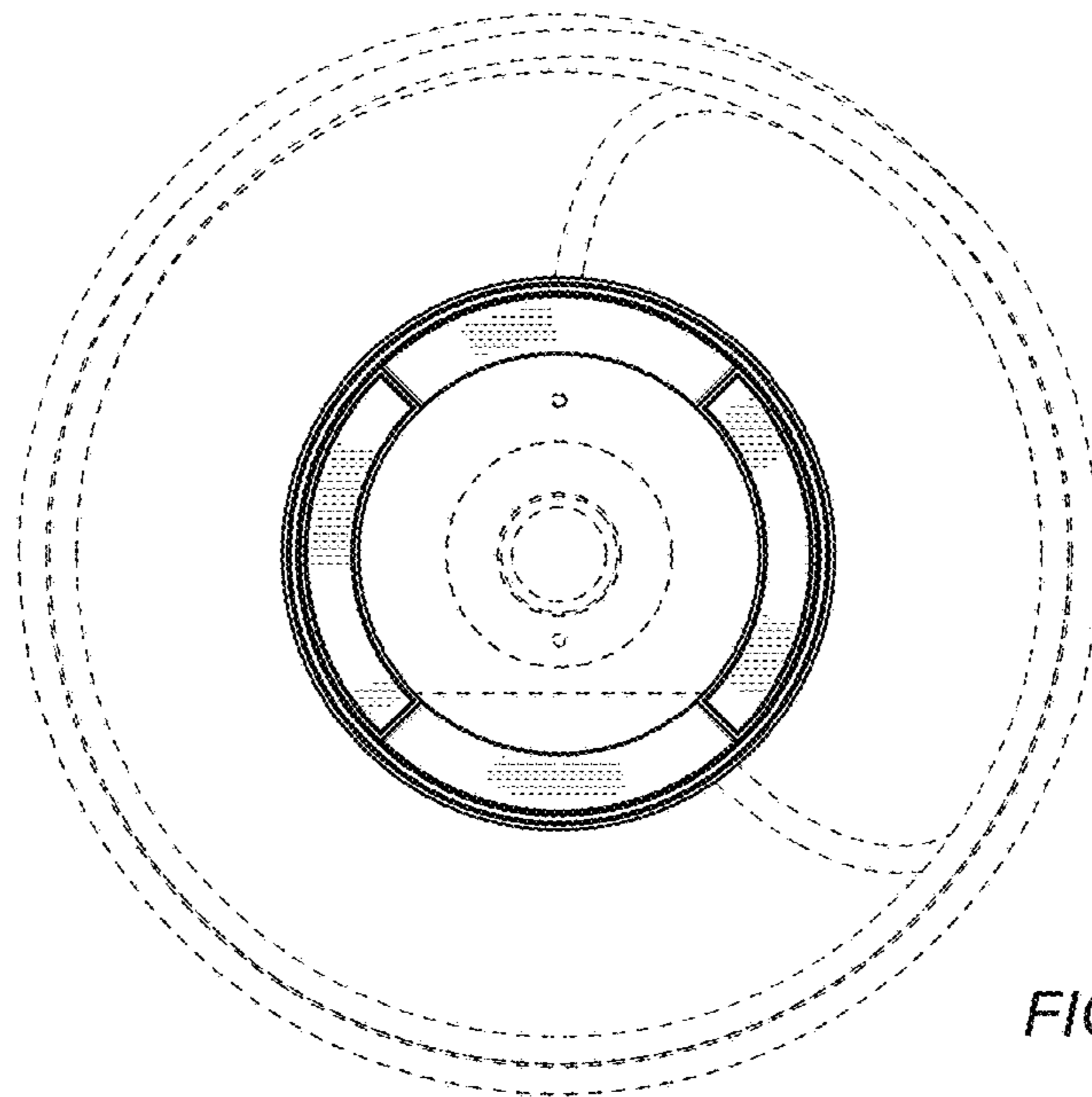


FIG. 16

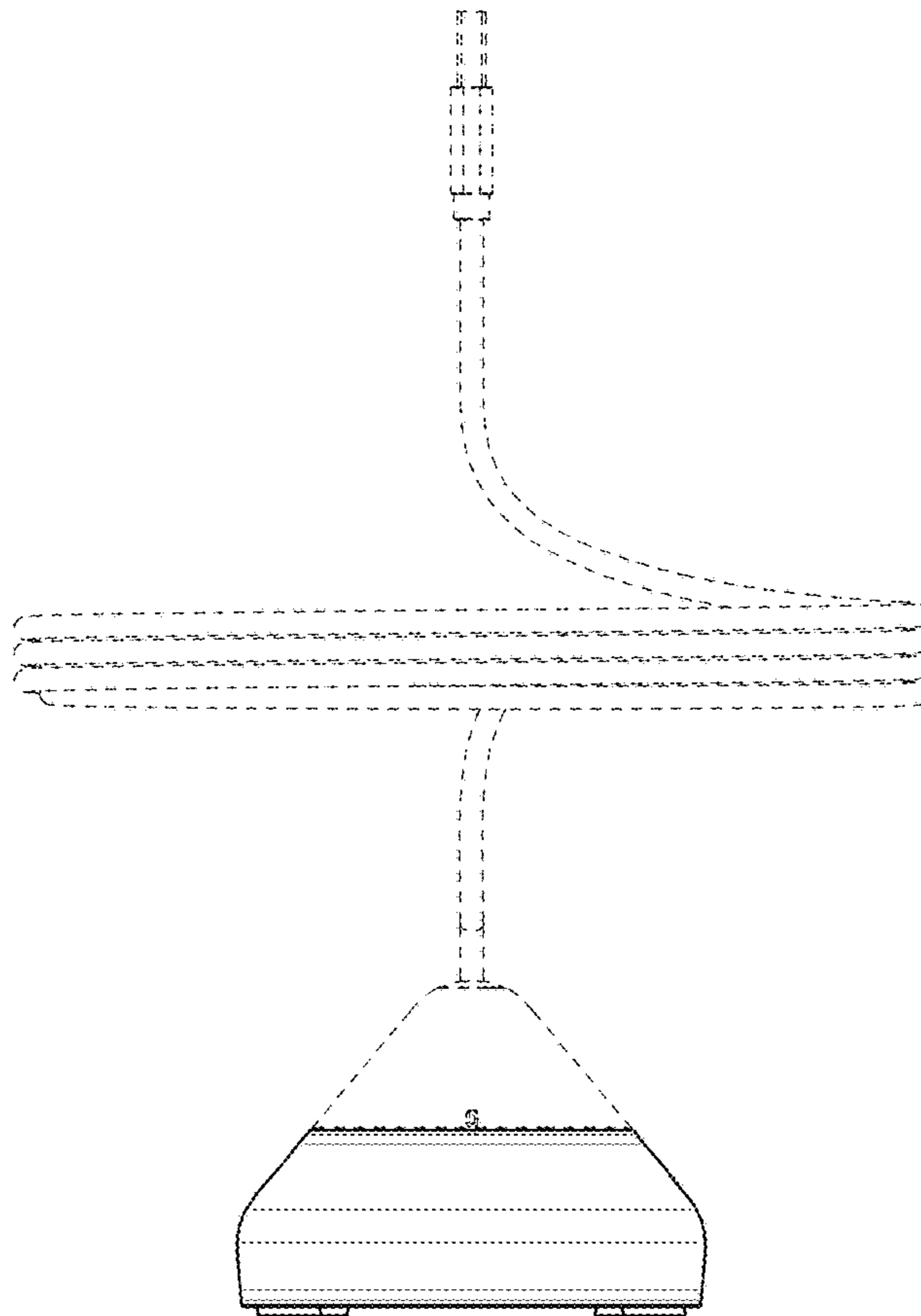


FIG. 17

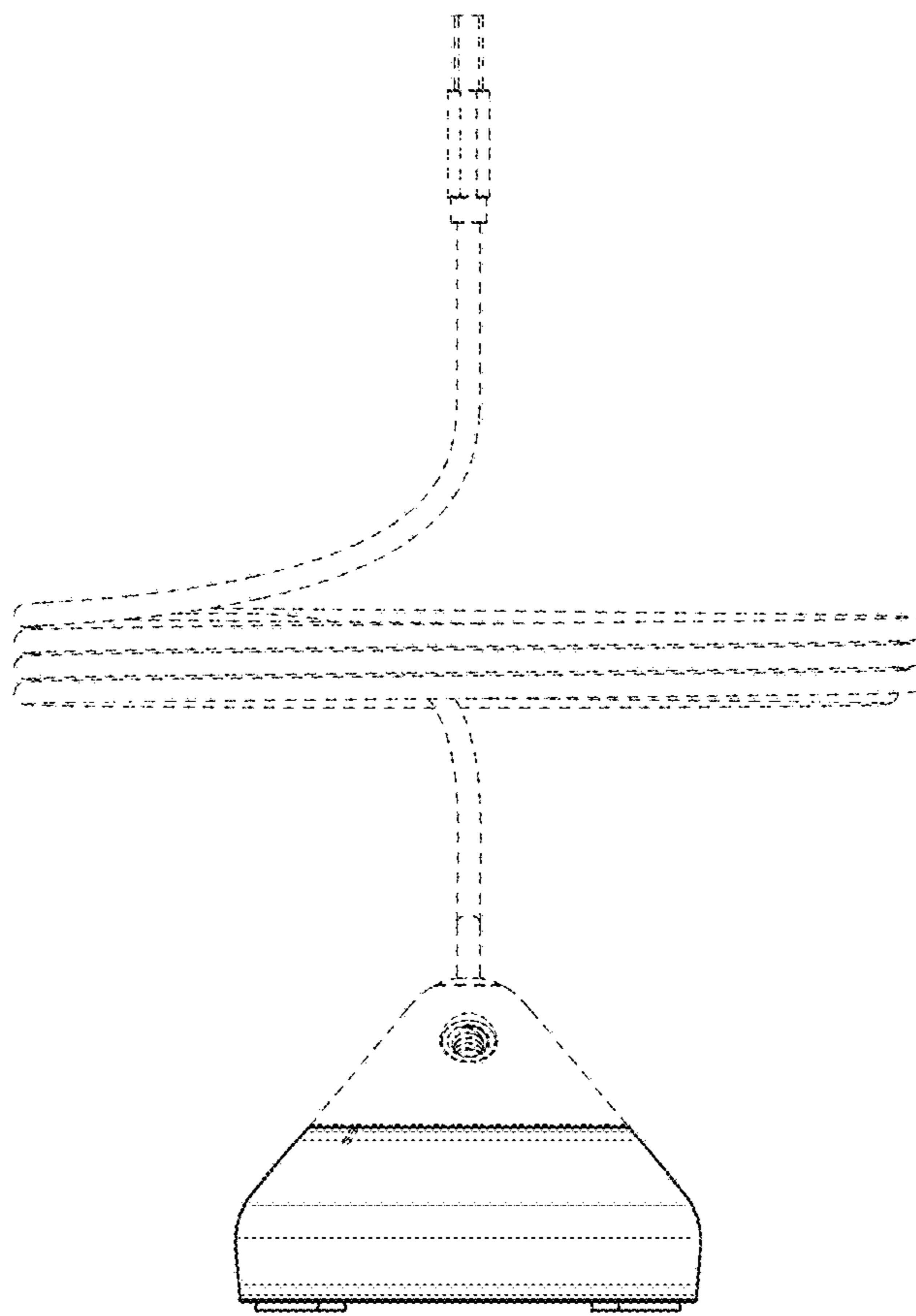


FIG. 18

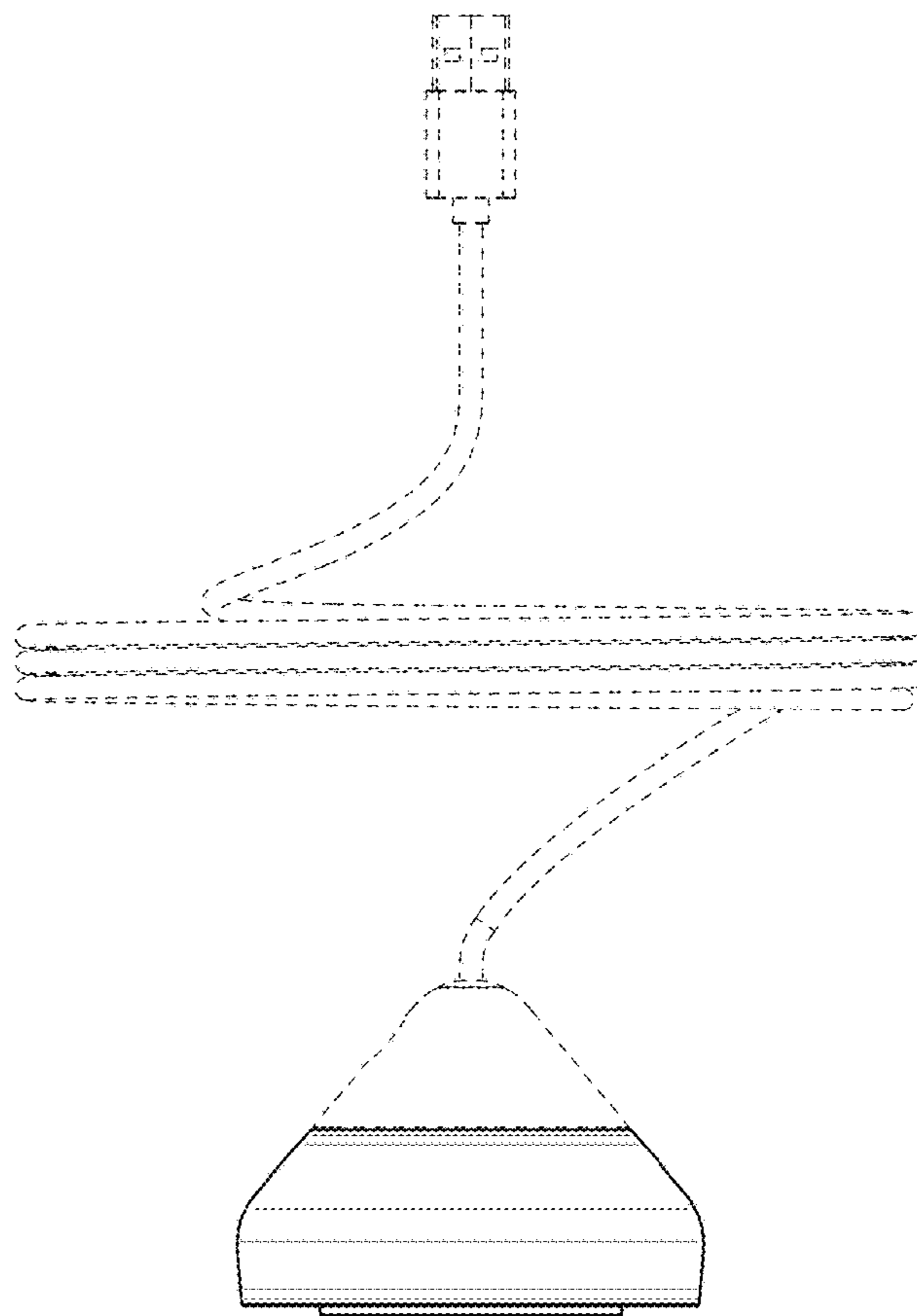


FIG. 19

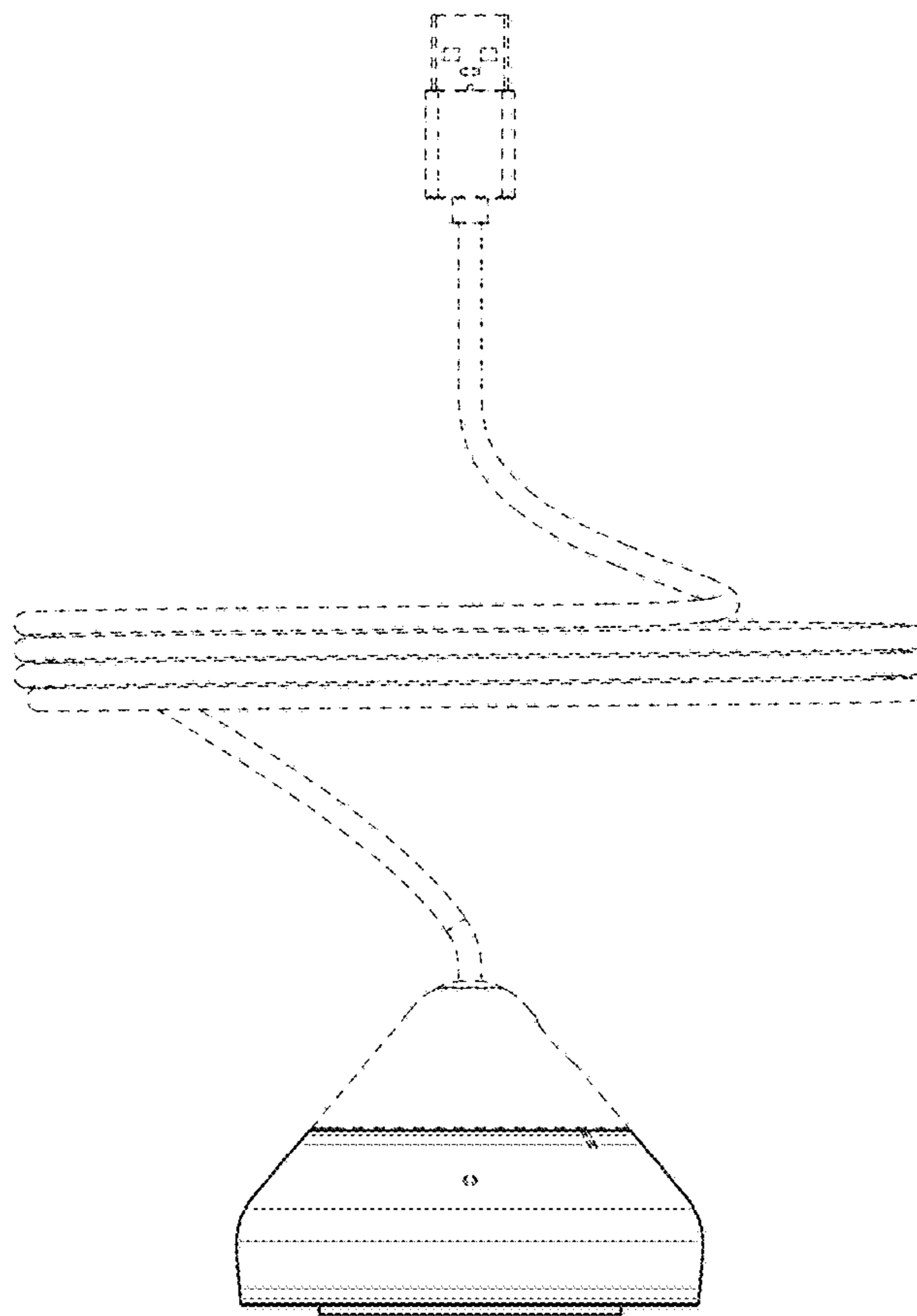


FIG. 20