



US00D853464S

(12) **United States Design Patent** (10) **Patent No.:** **US D853,464 S**
Moon et al. (45) **Date of Patent:** **** Jul. 9, 2019**

(54) **SURVEILLANCE CAMERA**

(56) **References Cited**

(71) Applicant: **Hanwha Techwin Co., Ltd.**,
Gyeongsangnam-do (KR)
(72) Inventors: **Mi Jung Moon**, Changwon-si (KR);
Hyun Kyu Park, Changwon-si (KR)
(73) Assignee: **HANWHA TECHWIN CO., LTD.**,
Seongnam-si (KR)
(**) Term: **15 Years**

U.S. PATENT DOCUMENTS

| | | | |
|--------------|---------|-----------------|---------|
| D410,480 S * | 6/1999 | Takagi | D16/202 |
| D470,874 S * | 2/2003 | Chiu | D16/202 |
| D517,584 S * | 3/2006 | Chen | D16/200 |
| D517,587 S * | 3/2006 | Eroma | D16/200 |
| D542,820 S * | 5/2007 | Depay | D16/202 |
| D564,559 S * | 3/2008 | Stephens | D16/208 |
| D618,265 S * | 6/2010 | Wozniak | D16/202 |
| D636,424 S * | 4/2011 | Lin | |
| D692,473 S * | 10/2013 | Kawaguchi | D16/202 |

(Continued)

(21) Appl. No.: **29/590,290**

FOREIGN PATENT DOCUMENTS

(22) Filed: **Jan. 9, 2017**

KR 30-2011-0052101 S 12/2012

Related U.S. Application Data

Primary Examiner — Ramzi S Almatrahi

(63) Continuation of application No. 29/546,667, filed on
Nov. 24, 2015, which is a continuation of application
No. 29/495,710, filed on Jul. 3, 2014, now Pat. No.
Des. 746,889.

(74) *Attorney, Agent, or Firm* — Sughrue Mion, PLLC

(30) **Foreign Application Priority Data**

(57) **CLAIM**

Jan. 3, 2014 (KR) 30-2014-0000414

The ornamental design for a surveillance camera, as shown
and described.

(51) **LOC (11) Cl.** **16-05**

DESCRIPTION

(52) **U.S. Cl.**

USPC **D16/219**; D16/203

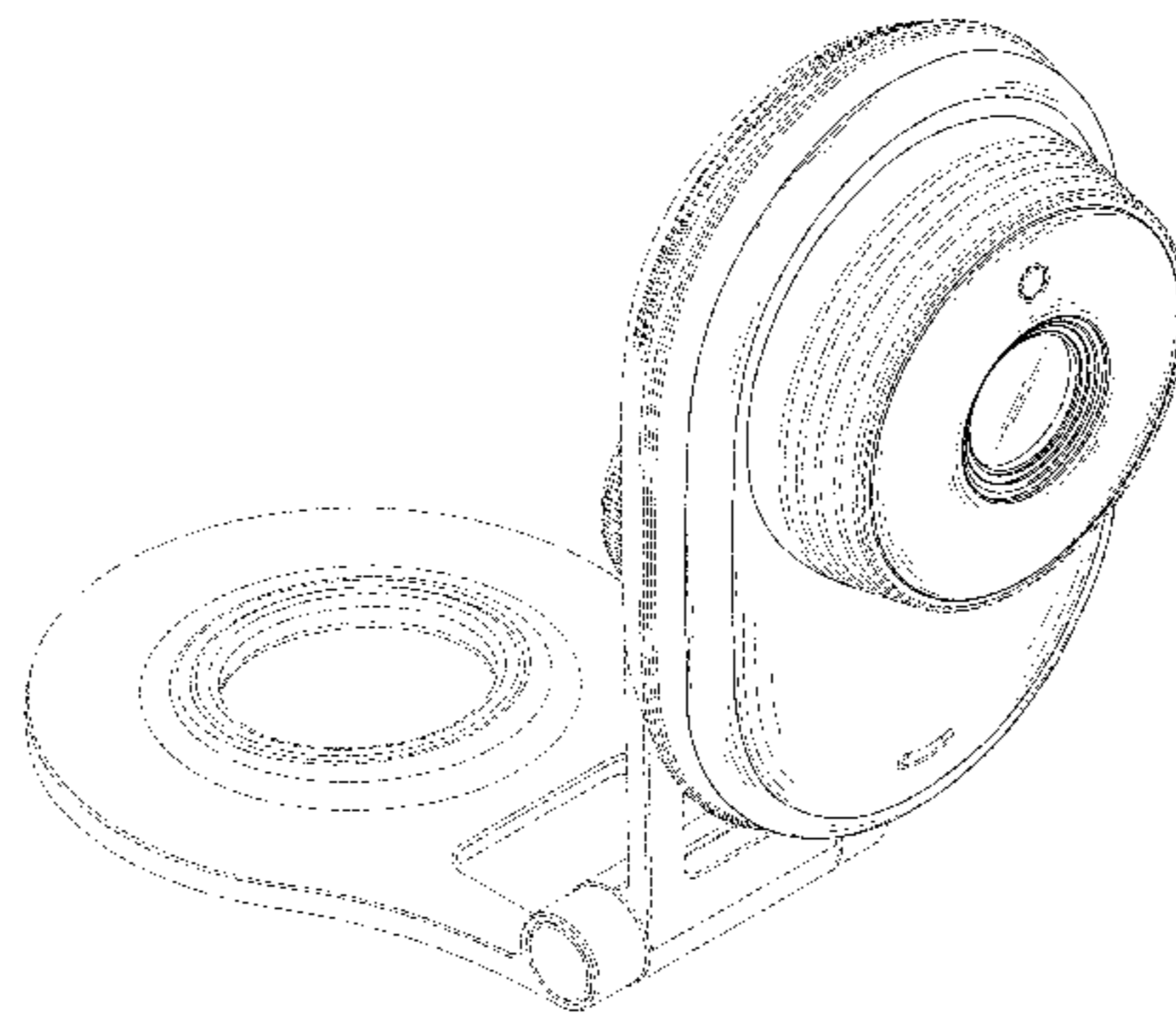
(58) **Field of Classification Search**

USPC D16/200, 202–208, 218, 219, 242;
348/143, 148, 151, 373–376; 396/419,
396/427, 535, 539–541; 248/176.1, 187.1
CPC G03B 17/02; G03B 19/04; G03B 17/56;
G03B 17/04; G03B 15/03; H04N 5/2251;
H04N 5/2252; H04N 5/2253; H04N
5/2254; H04N 7/181; H04N 7/183; H04N
7/18; G08B 13/1963; G08B 13/19619;
G08B 13/19632

FIG. 1 is a front perspective view of a surveillance camera
showing our new design;
FIG. 2 is a front elevational view of the surveillance camera;
FIG. 3 is a rear elevational view of the surveillance camera;
FIG. 4 is a left side elevational view of the surveillance
camera;
FIG. 5 is a right side elevational view of the surveillance
camera;
FIG. 6 is a top plan view of the surveillance camera; and,
FIG. 7 is a bottom view of the surveillance camera.
The broken lines depict portions of the surveillance camera
in which the design is embodied that form no part of the
claimed design.

See application file for complete search history.

1 Claim, 7 Drawing Sheets



(56)

References Cited

U.S. PATENT DOCUMENTS

D697,119 S * 1/2014 Park D16/202
2005/0185087 A1 * 8/2005 Chiu H04M 1/0264
348/373

* cited by examiner

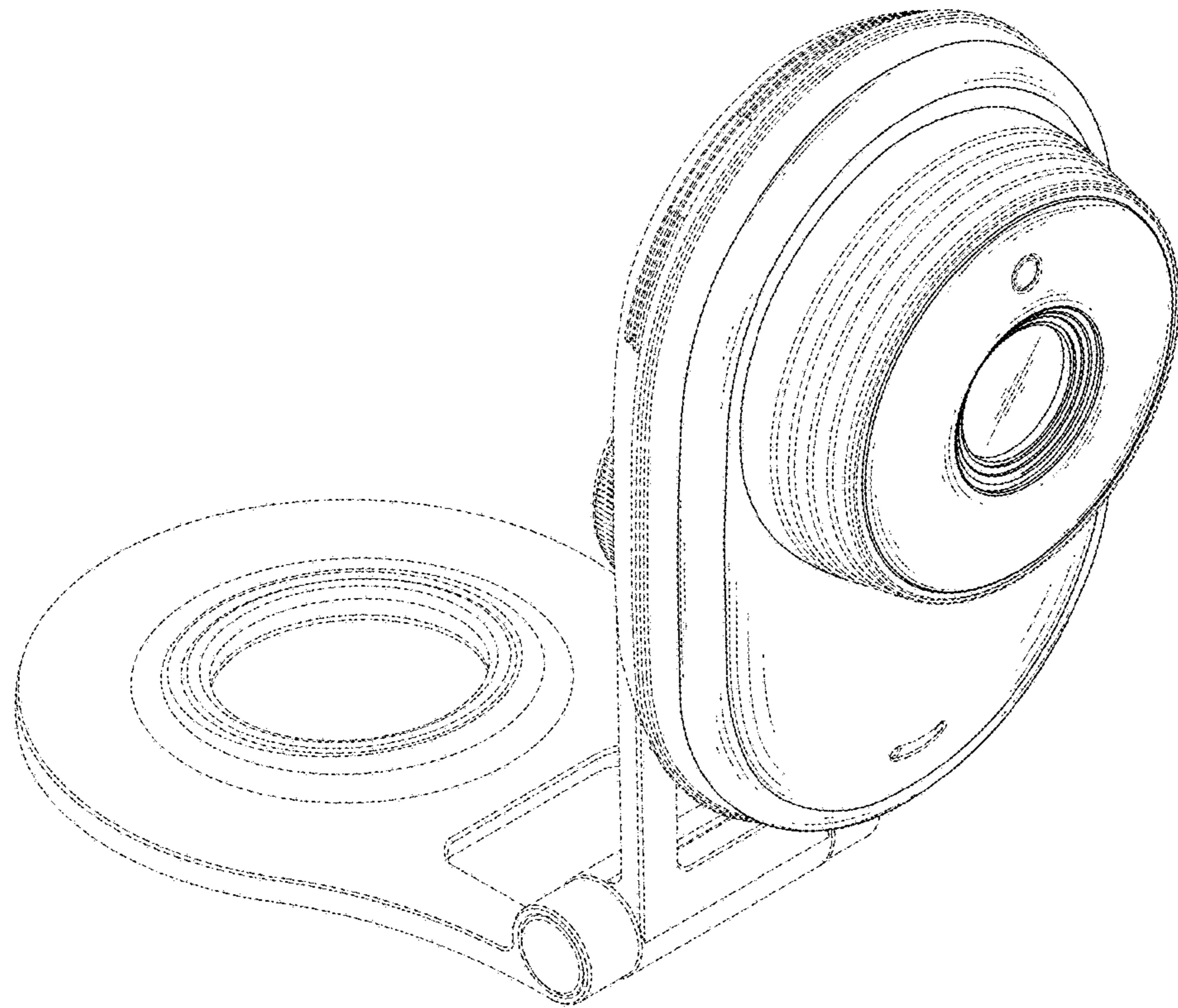


FIG. 1

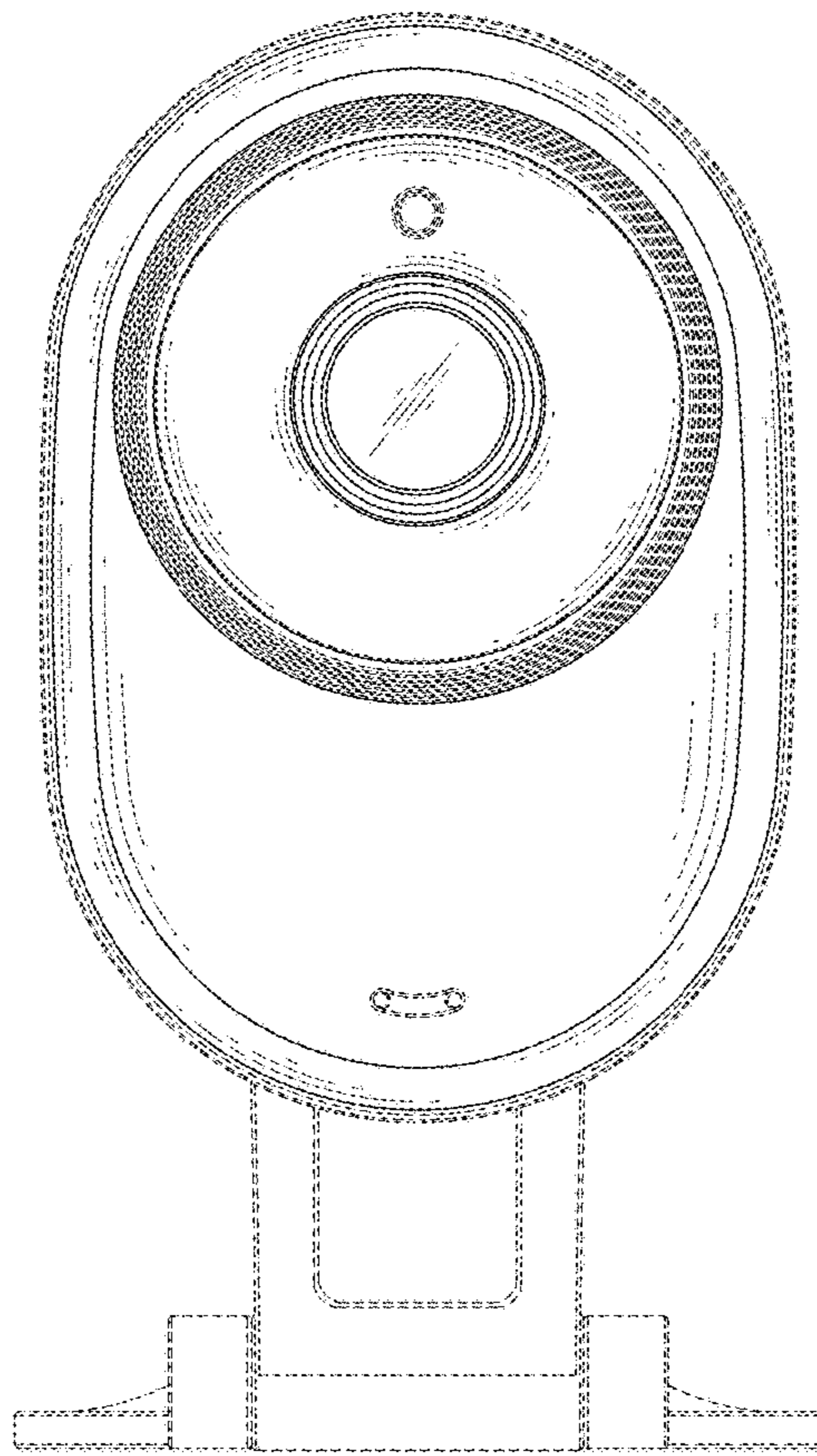


FIG. 2

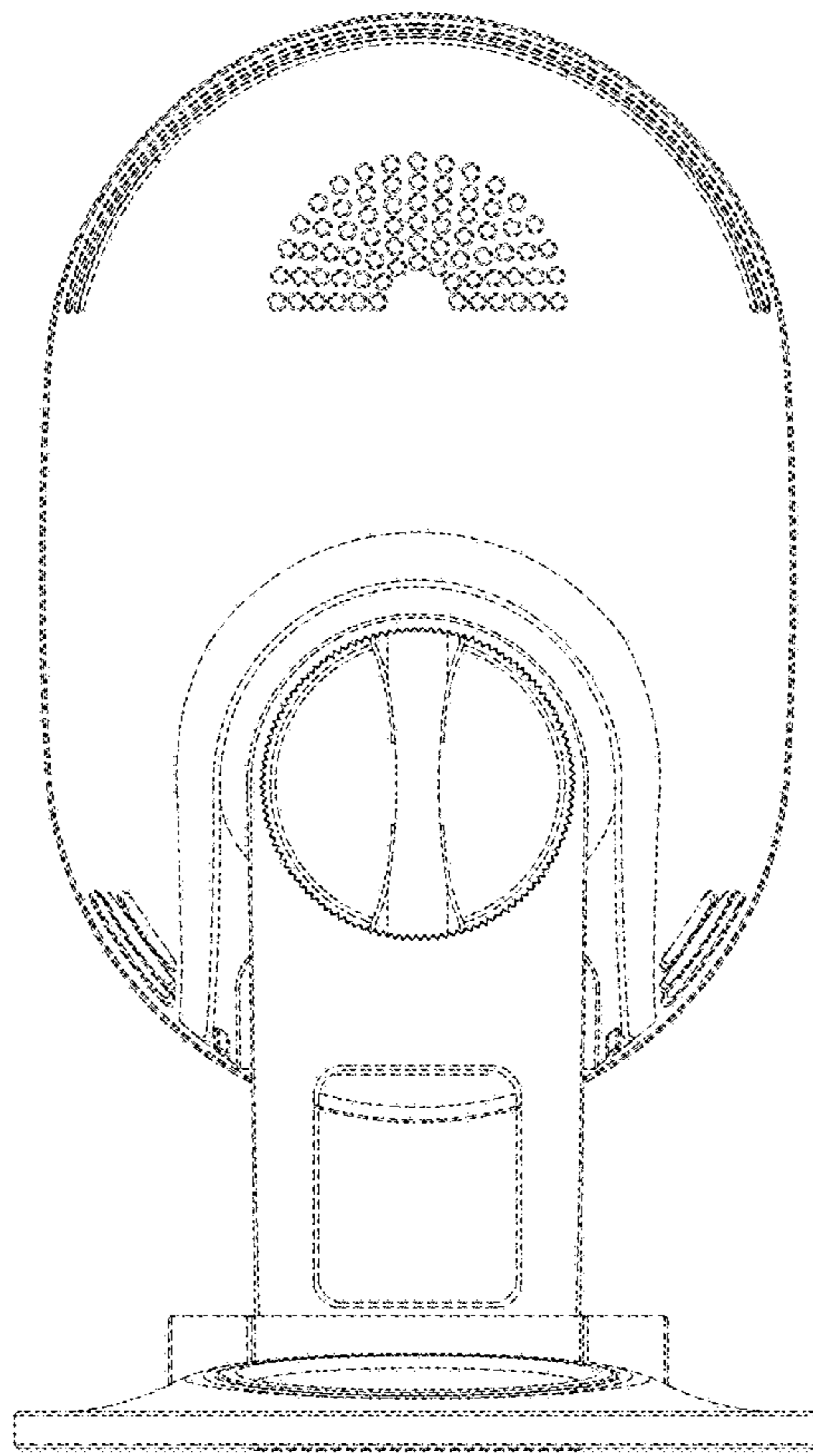


FIG. 3

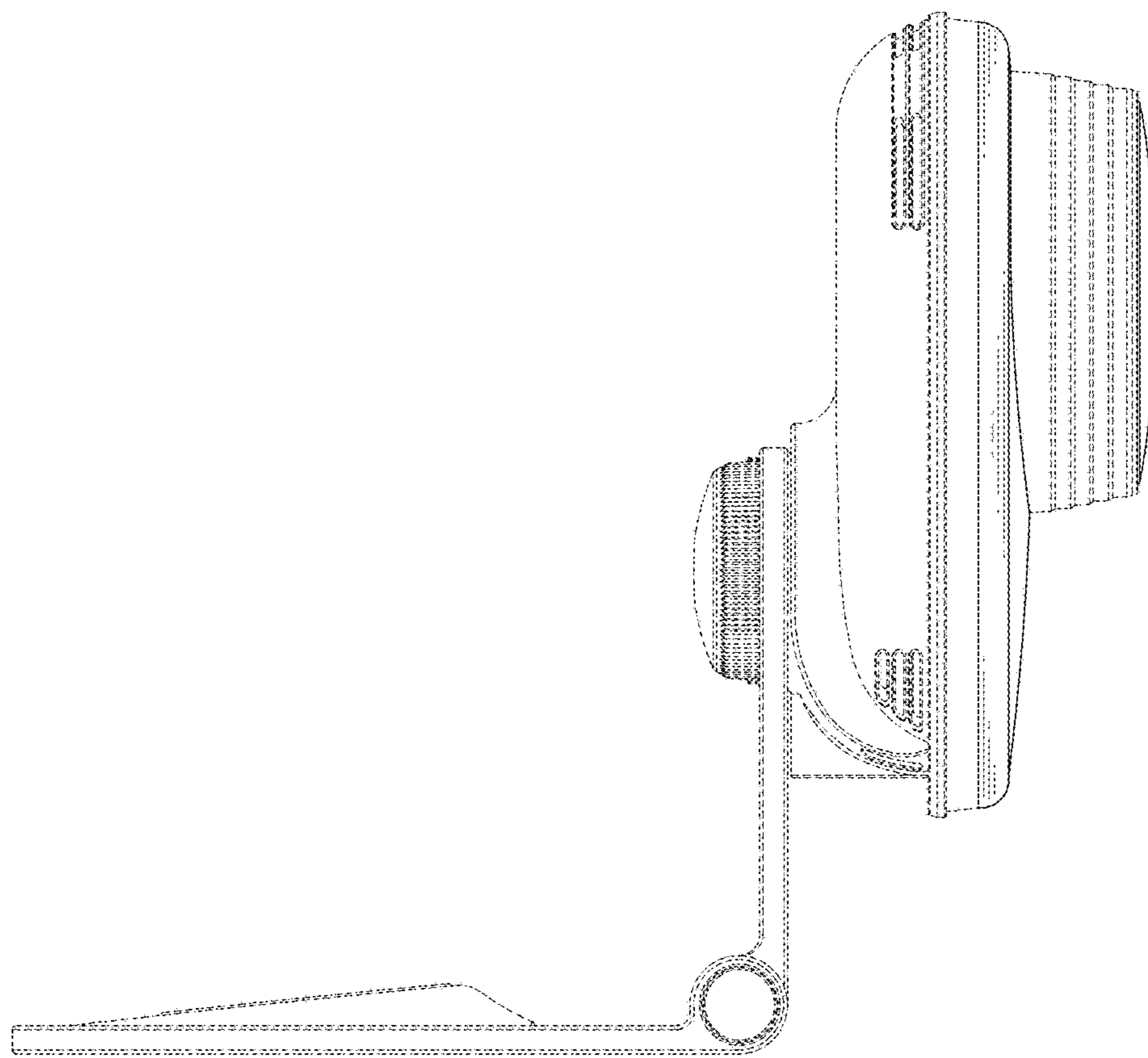


FIG. 4

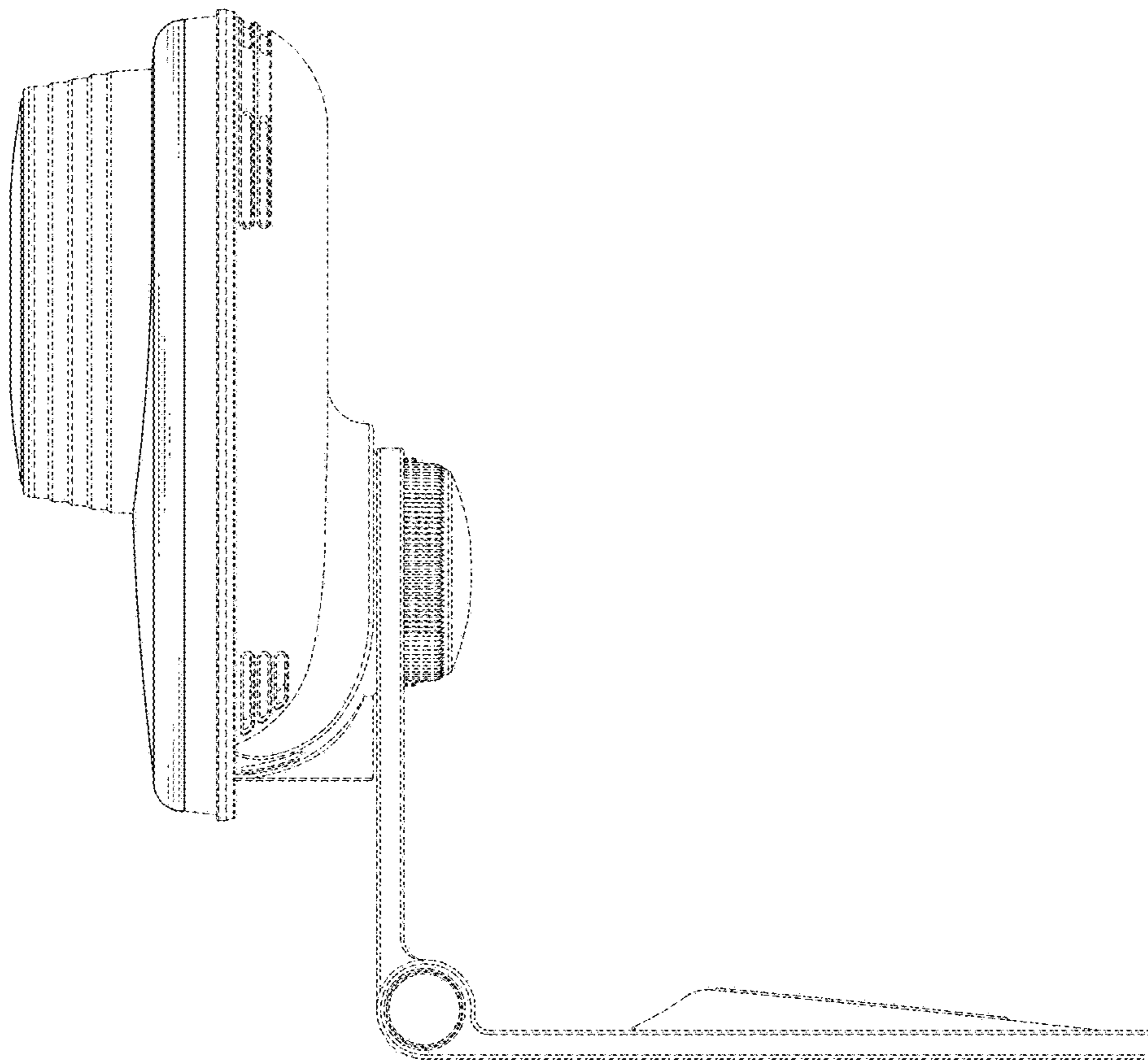


FIG. 5

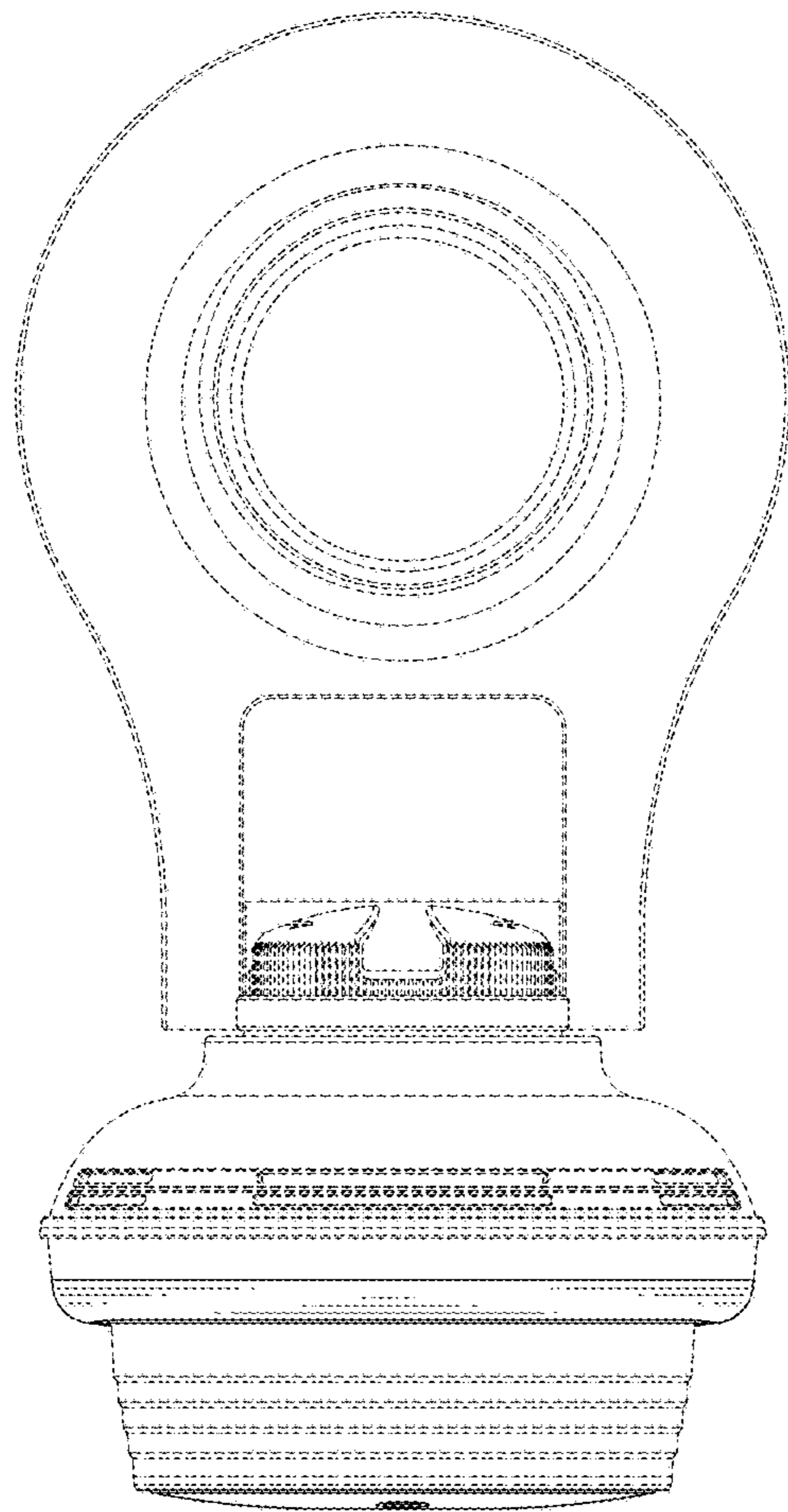


FIG. 6

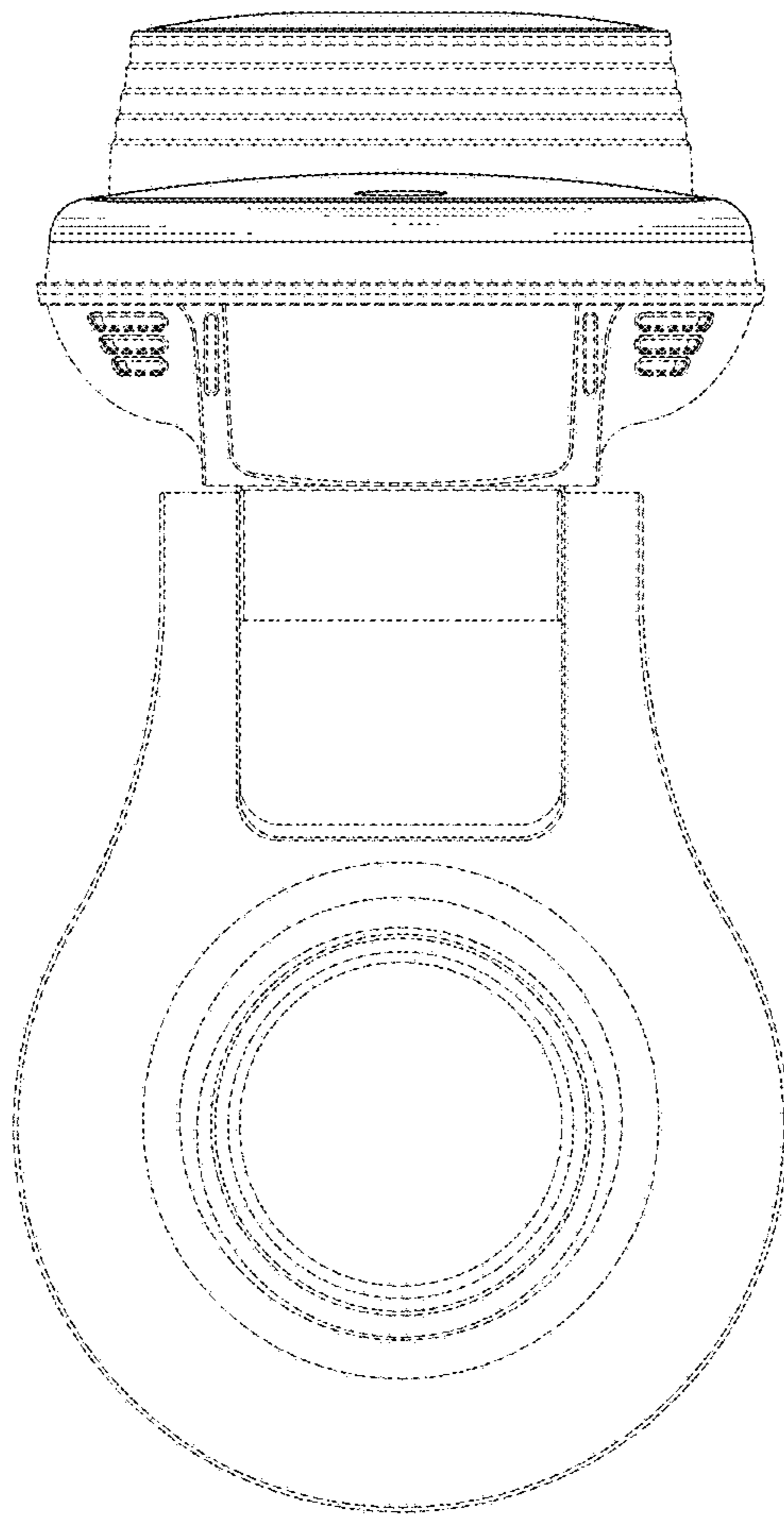


FIG. 7