



US00D853463S

(12) **United States Design Patent**
Batten

(10) **Patent No.:** **US D853,463 S**

(45) **Date of Patent:** **** Jul. 9, 2019**

(54) **LICENSE PLATE CAMERA ASSEMBLY**

(71) Applicant: **The Whistler Group, Inc.**, Bentonville, AR (US)

(72) Inventor: **Michael Batten**, Littleton, MA (US)

(**) Term: **15 Years**

(21) Appl. No.: **29/625,083**

(22) Filed: **Nov. 7, 2017**

(51) **LOC (11) Cl.** **16-01**

(52) **U.S. Cl.**

USPC **D16/208**; D12/193

(58) **Field of Classification Search**

USPC D16/200–204, 208, 218, 219;
D12/187–189, 193, 400; 340/932.2, 933,
340/937; 348/143, 148, 151, 360,
348/373–376; 396/419, 427–429, 433,
396/529, 535, 537–541

CPC G03B 15/03; G03B 17/02; G03B 17/04;
G03B 17/48; G03B 17/56; G03B 19/04;
G08G 1/0175; H04N 5/2251; H04N
5/2252; H04N 5/2253; H04N 5/2254

See application file for complete search history.

(56) **References Cited**

U.S. PATENT DOCUMENTS

D496,312 S *	9/2004	Sybilrud	D12/193
D535,676 S *	1/2007	Dayan	D16/208
D537,765 S *	3/2007	Porter	D12/193
D578,049 S *	10/2008	Son	D12/193
D596,545 S *	7/2009	Son	D12/193
D644,973 S *	9/2011	Miyawaki	D12/193
8,054,378 B2 *	11/2011	Kao	H04N 5/2252 348/373
D672,297 S *	12/2012	Dong	D12/193
8,432,446 B2 *	4/2013	Son	B60R 11/04 348/148
D685,307 S *	7/2013	Chung	D12/193

(Continued)

Primary Examiner — Ramzi S Almatrahi

(74) *Attorney, Agent, or Firm* — Braxton Perrone, PLLC

(57) **CLAIM**

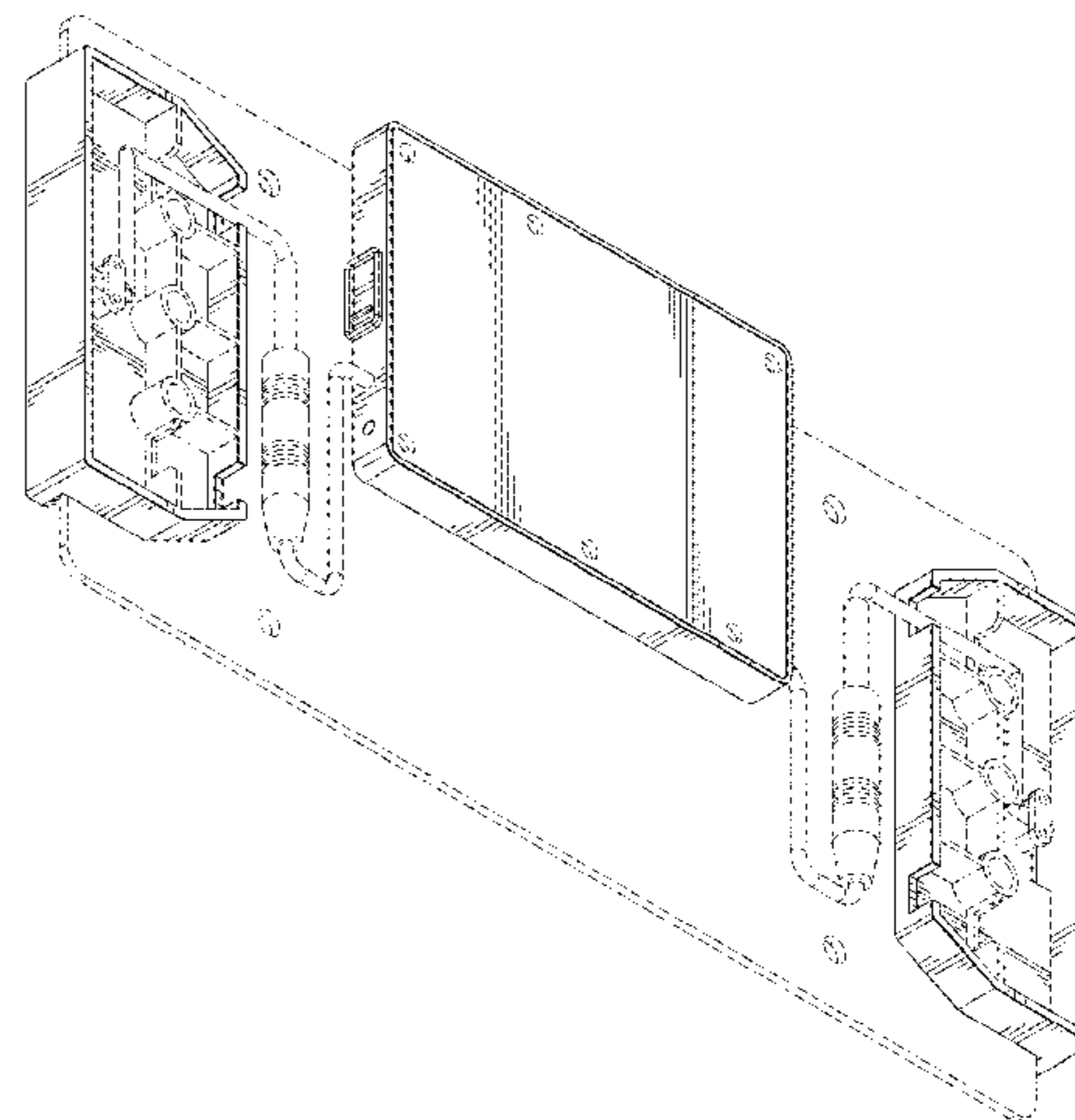
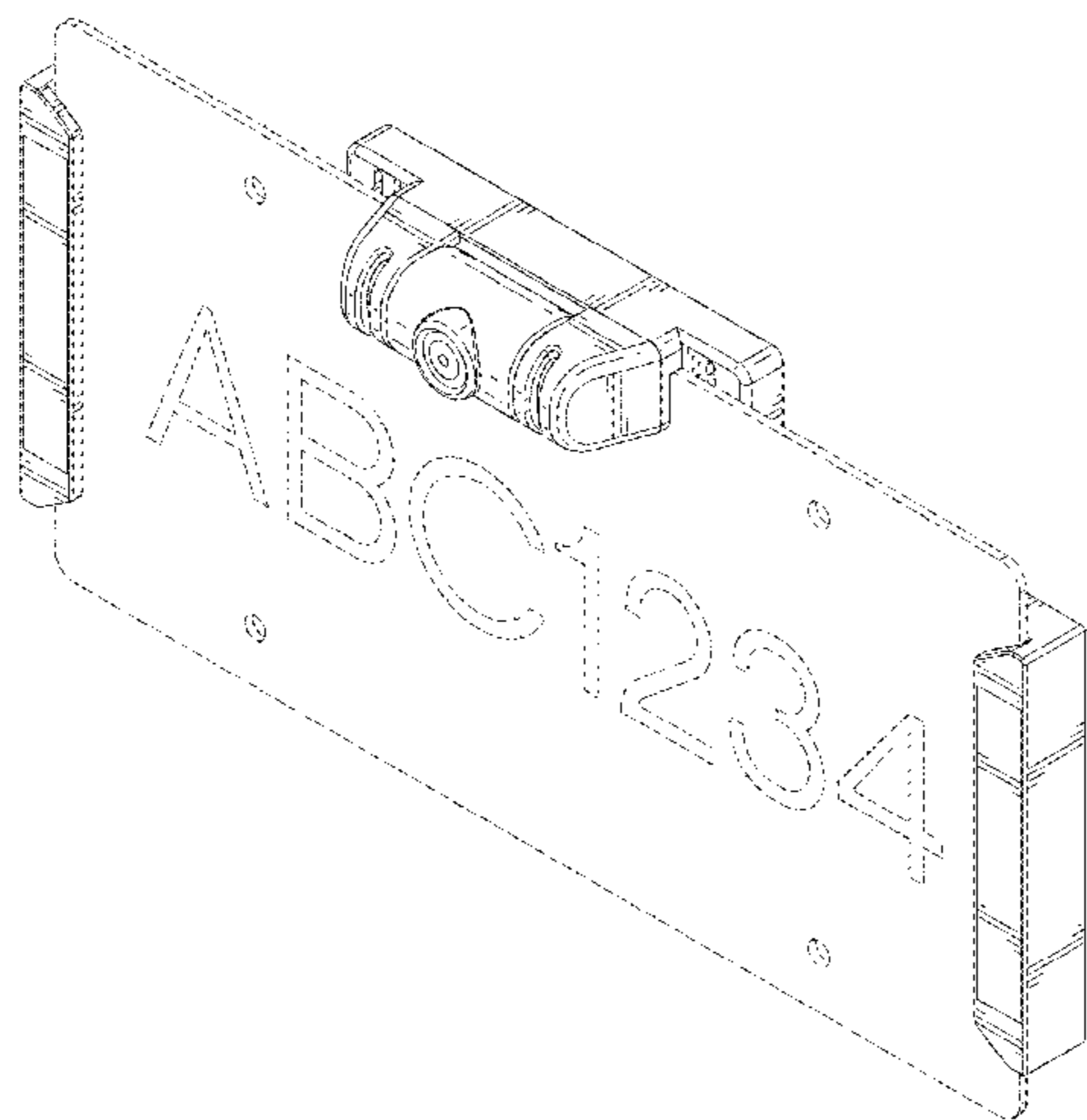
The ornamental design for a license plate camera assembly, as shown and described.

DESCRIPTION

FIG. 1 is a front perspective view of a license plate camera assembly showing my new design in a first configuration; FIG. 2 is a front elevation view thereof; FIG. 3 is a rear elevation view thereof; FIG. 4 is a right side elevation view thereof; FIG. 5 is a left side elevation view thereof; FIG. 6 is a top plan view thereof; FIG. 7 is a bottom plan view thereof; FIG. 8 is a rear perspective view thereof; FIG. 9 is a front perspective view of the license plate camera assembly shown in a second configuration; FIG. 10 is a front elevation view thereof; FIG. 11 is a rear elevation view thereof; FIG. 12 is a right side elevation view thereof; FIG. 13 is a left side elevation view thereof; FIG. 14 is a top plan view thereof; FIG. 15 is a bottom plan view thereof; FIG. 16 is a rear perspective view thereof; FIG. 17 is a front perspective view of the license plate camera assembly shown in a third configuration; FIG. 18 is a front elevation view thereof; FIG. 19 is a rear elevation view thereof; FIG. 20 is a right side elevation view thereof; FIG. 21 is a left side elevation view thereof; FIG. 22 is a top plan view thereof; FIG. 23 is a bottom plan view thereof; and, FIG. 24 is a rear perspective view thereof.

The broken lines depict portions of the license plate camera assembly in which the design is embodied that form no part of the claimed design.

1 Claim, 16 Drawing Sheets



(56)

References Cited

U.S. PATENT DOCUMENTS

D692,815 S *	11/2013	Chung	D12/193
D705,845 S *	5/2014	Chung	D12/193
D734,804 S *	7/2015	Chung	D12/193
D757,151 S *	5/2016	Minikey, Jr.	D16/242
D818,919 S *	5/2018	Spencer	D12/193
2009/0128687 A1 *	5/2009	Woo	B60R 11/04 348/373
2011/0286170 A1 *	11/2011	Liu	G06F 1/1616 361/679.4

* cited by examiner

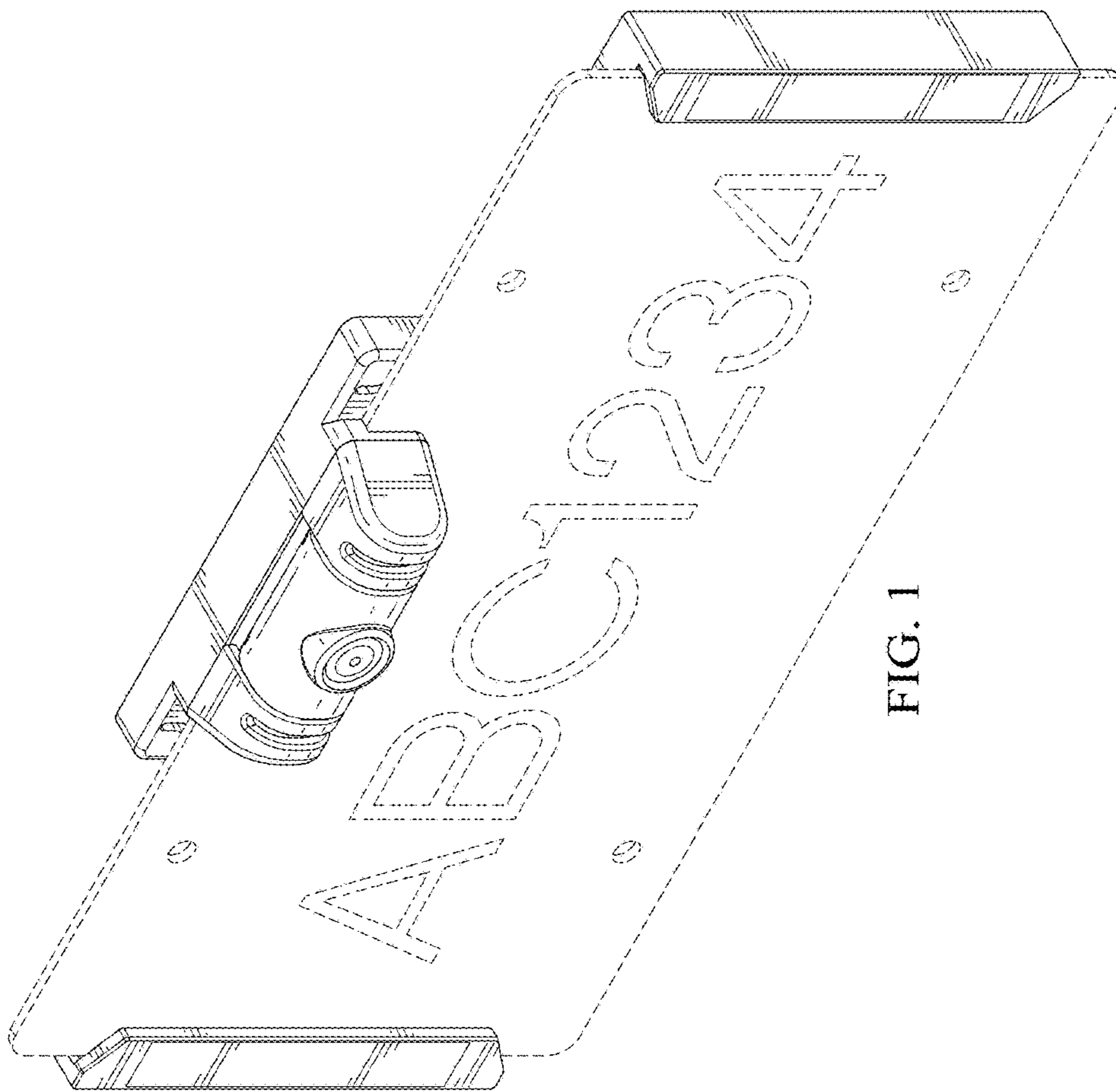


FIG. 1

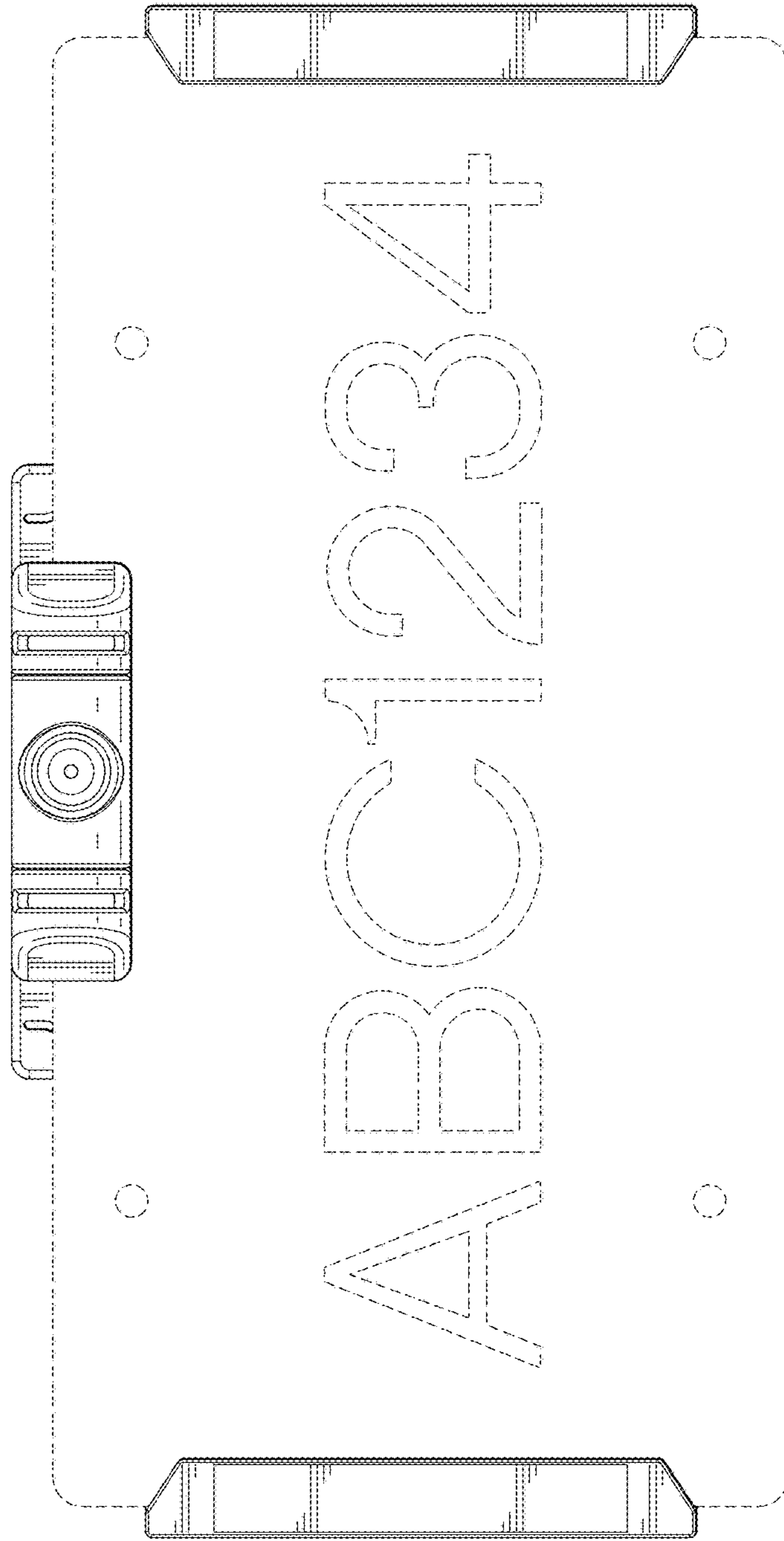


FIG. 2

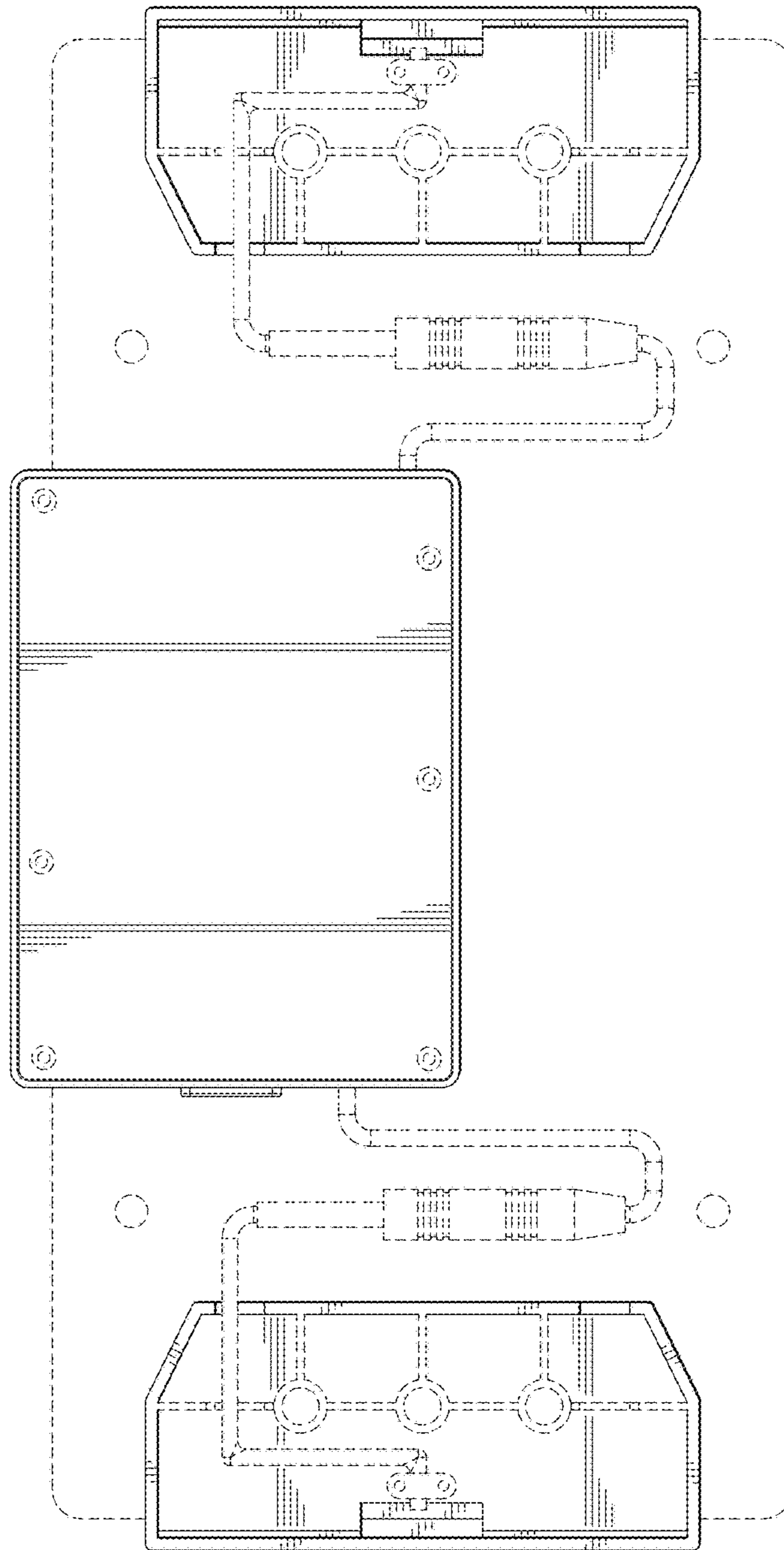


FIG. 3

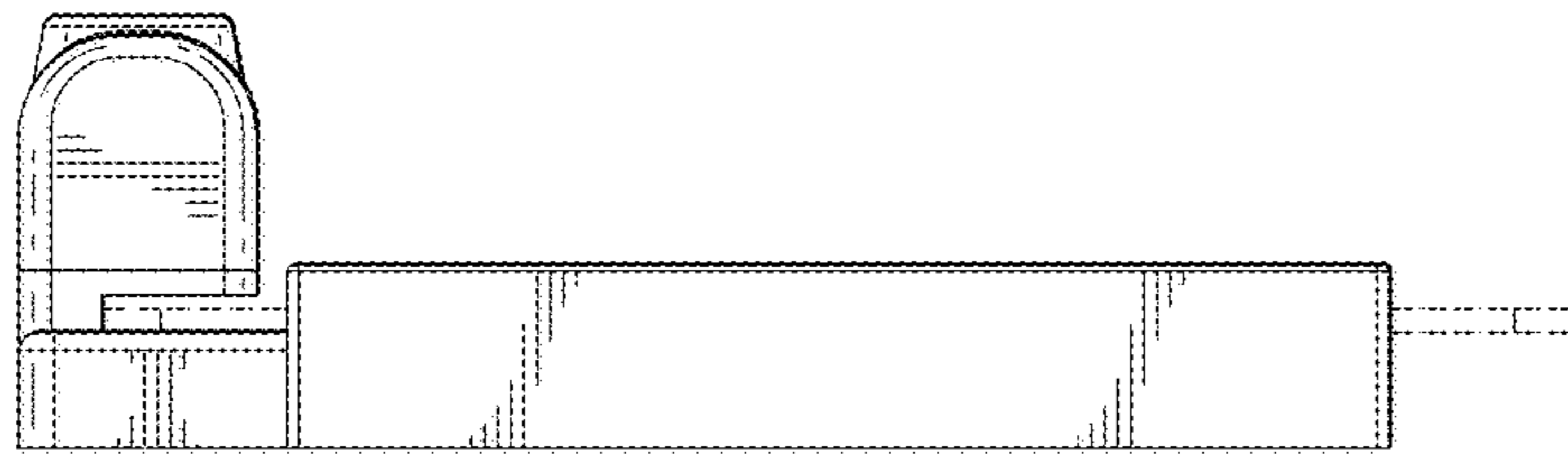


FIG. 5

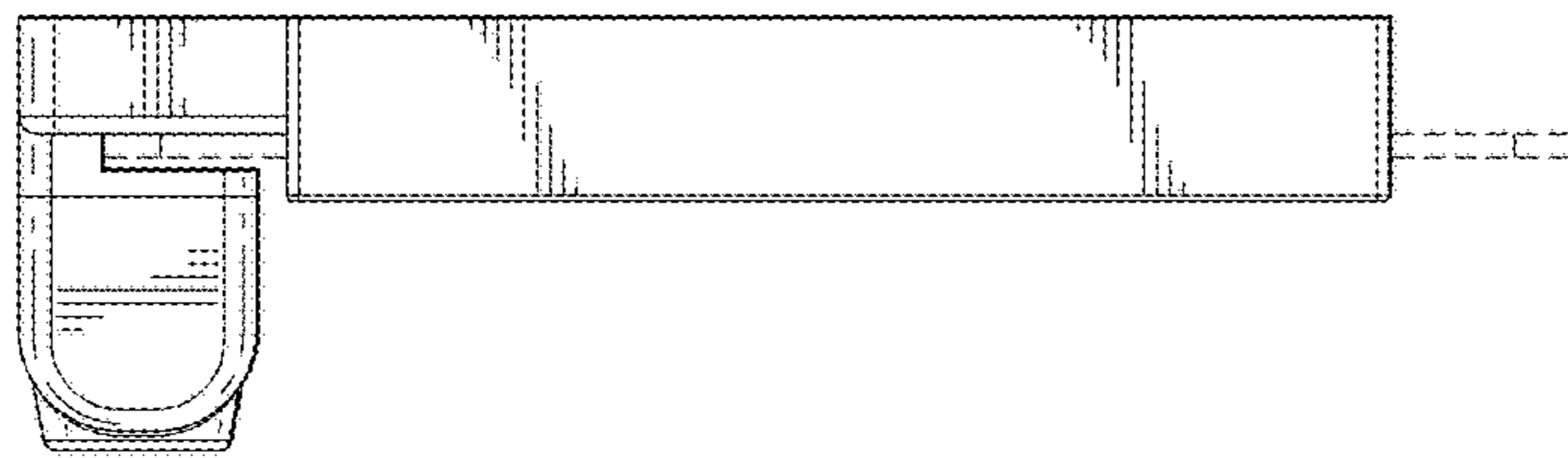


FIG. 4

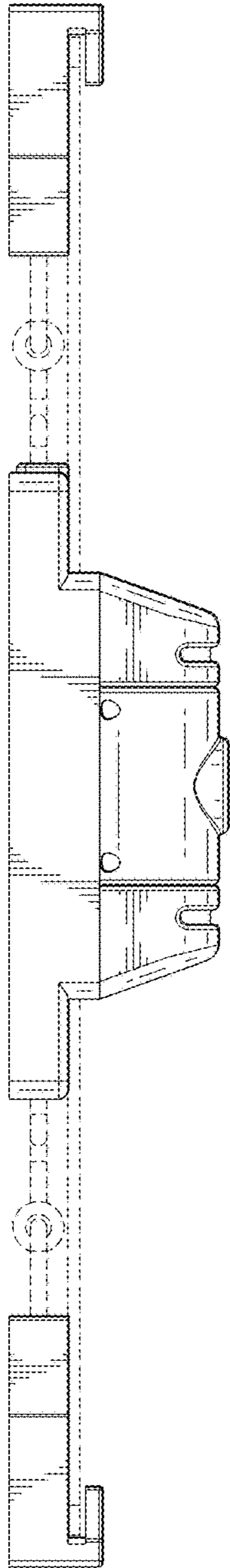


FIG. 6

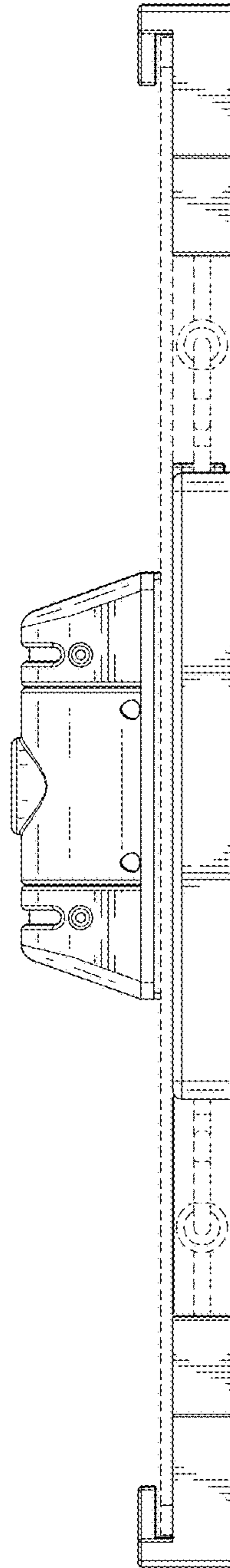


FIG. 7

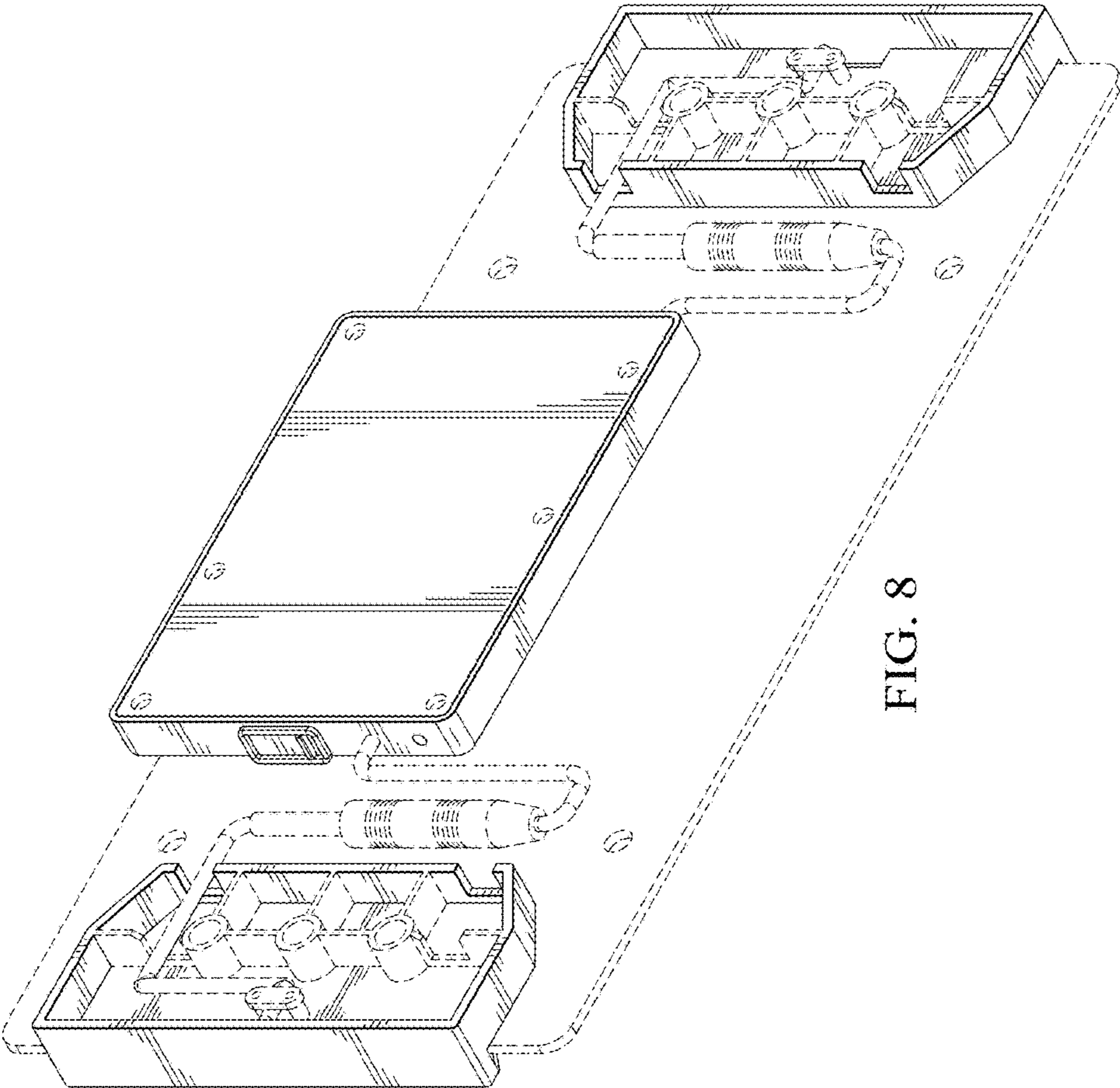


FIG. 8

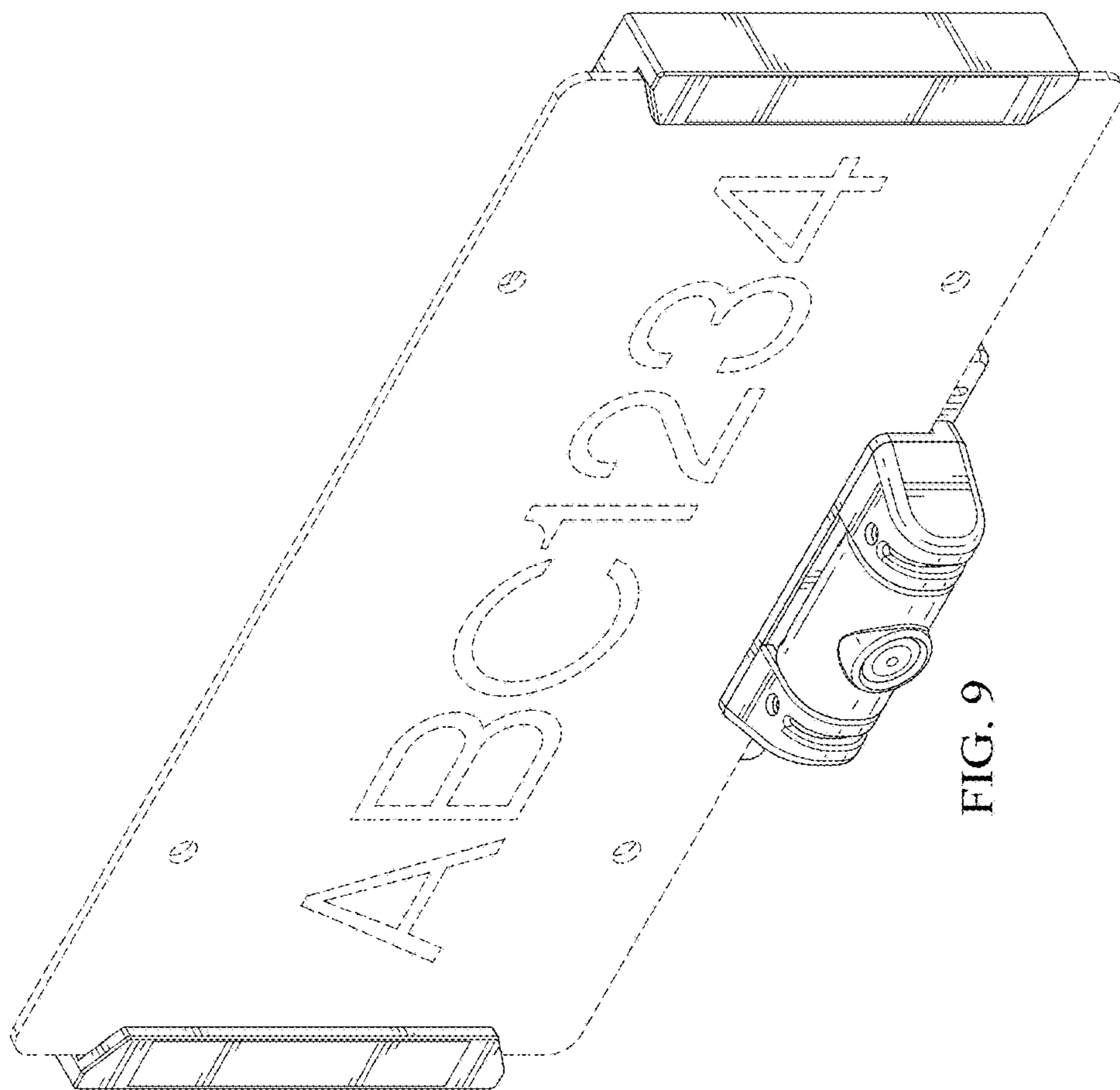


FIG. 9

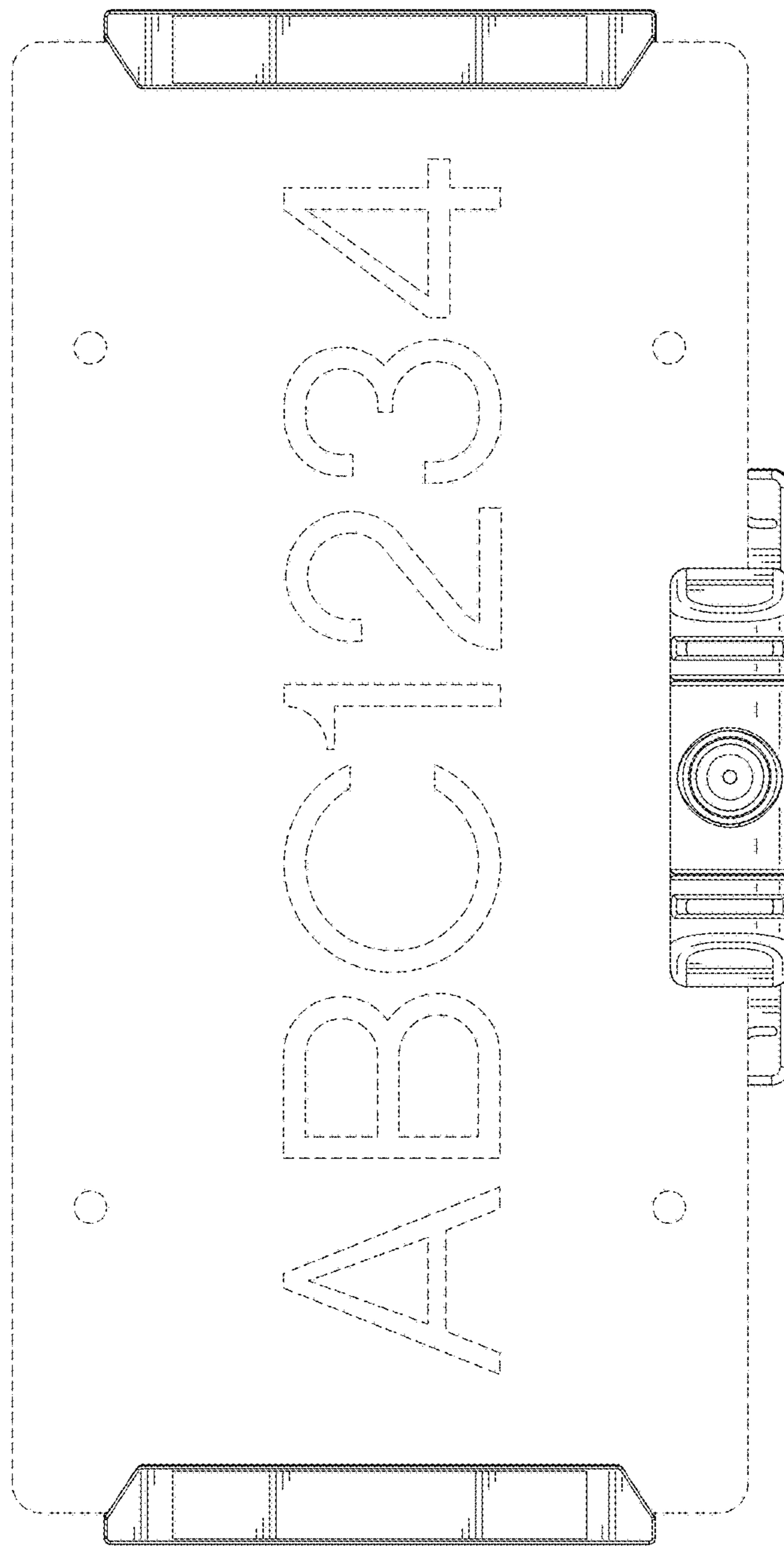


FIG. 10

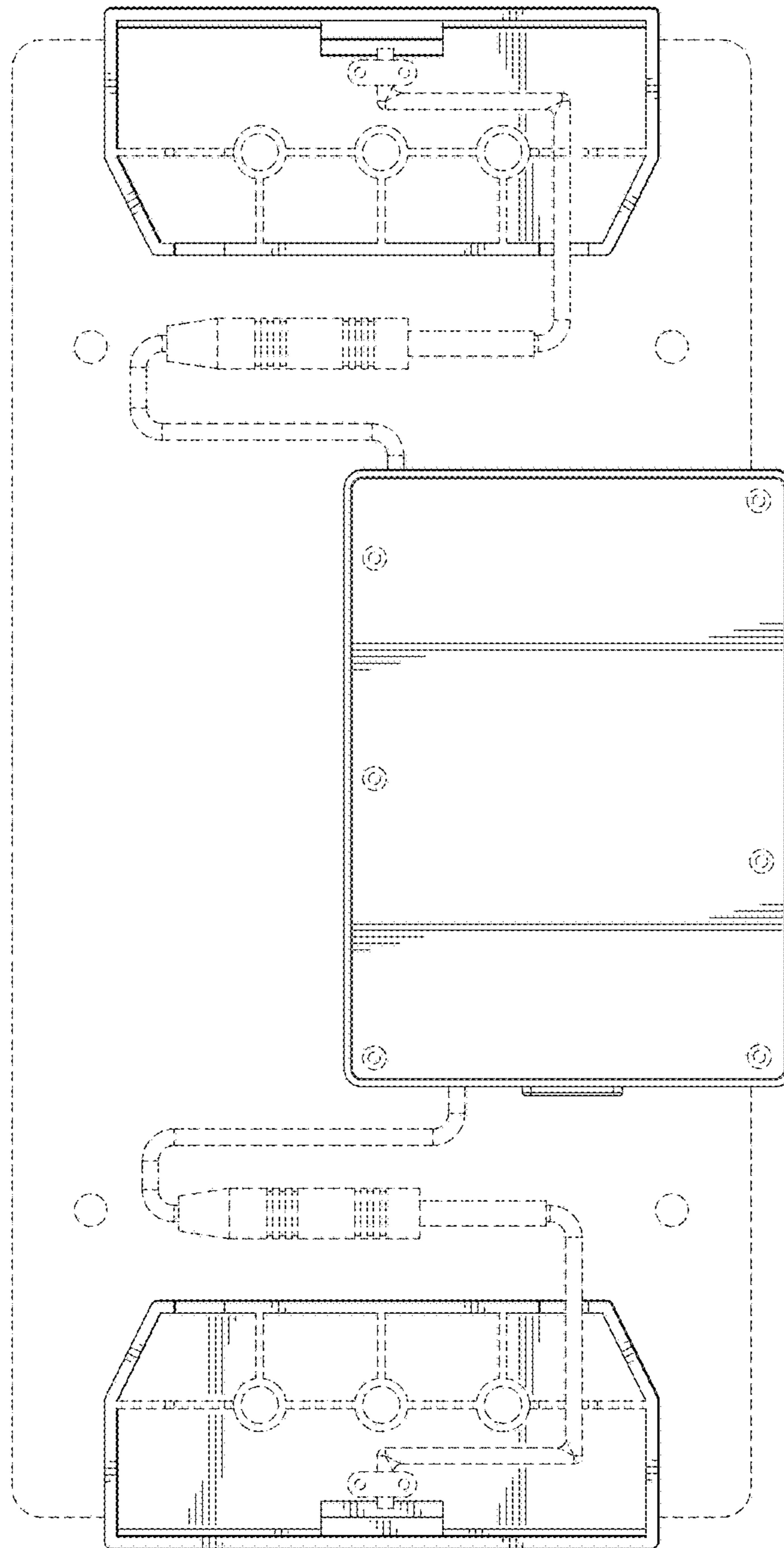


FIG. 11

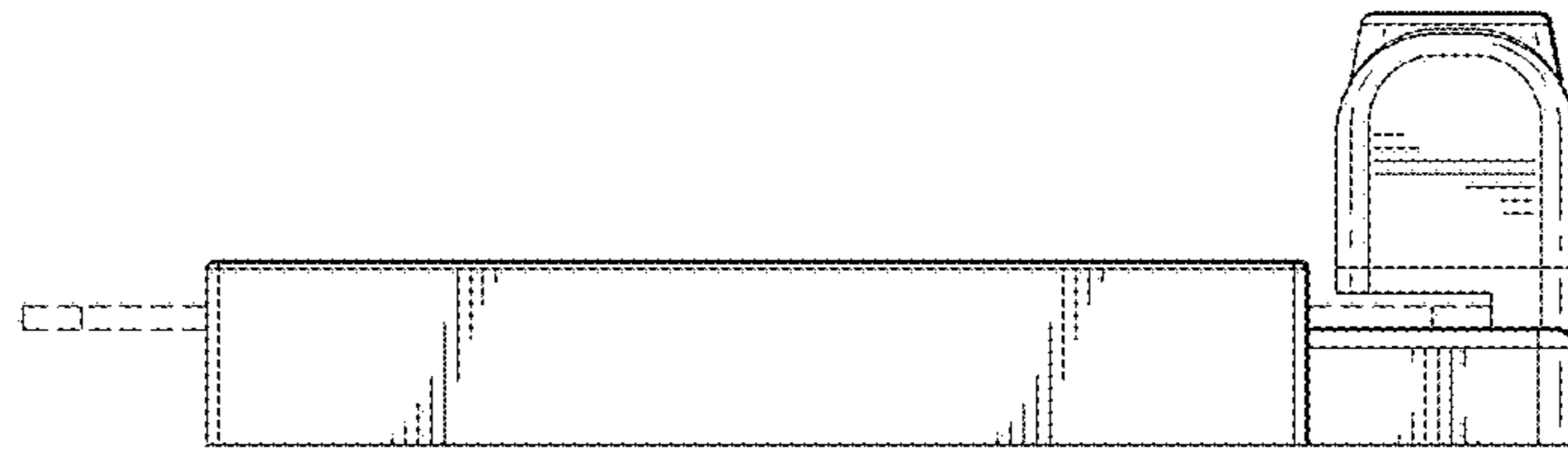


FIG. 13

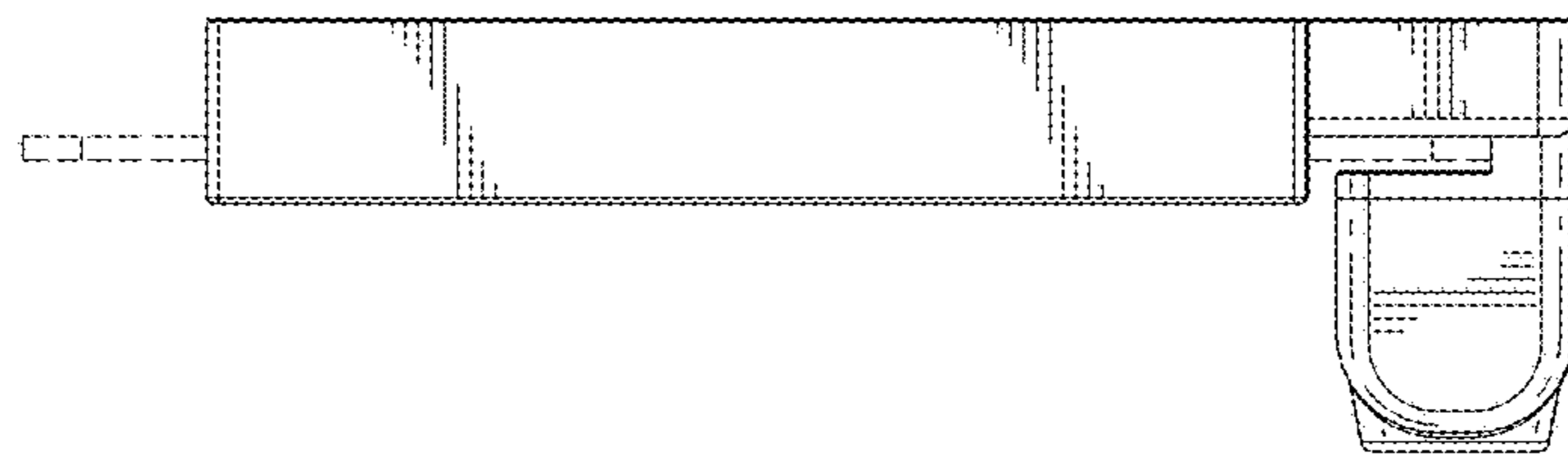


FIG. 12

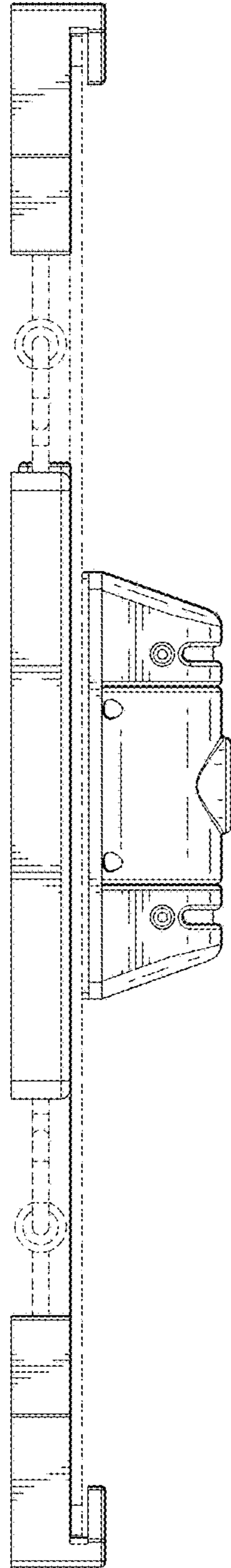


FIG. 14

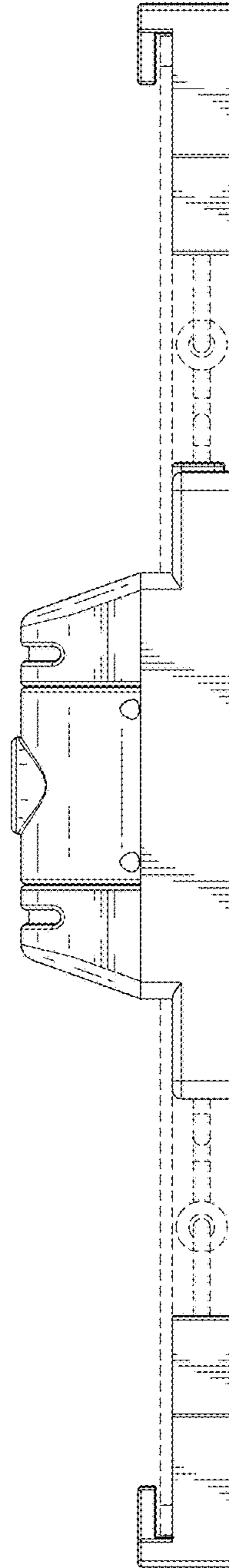


FIG. 15

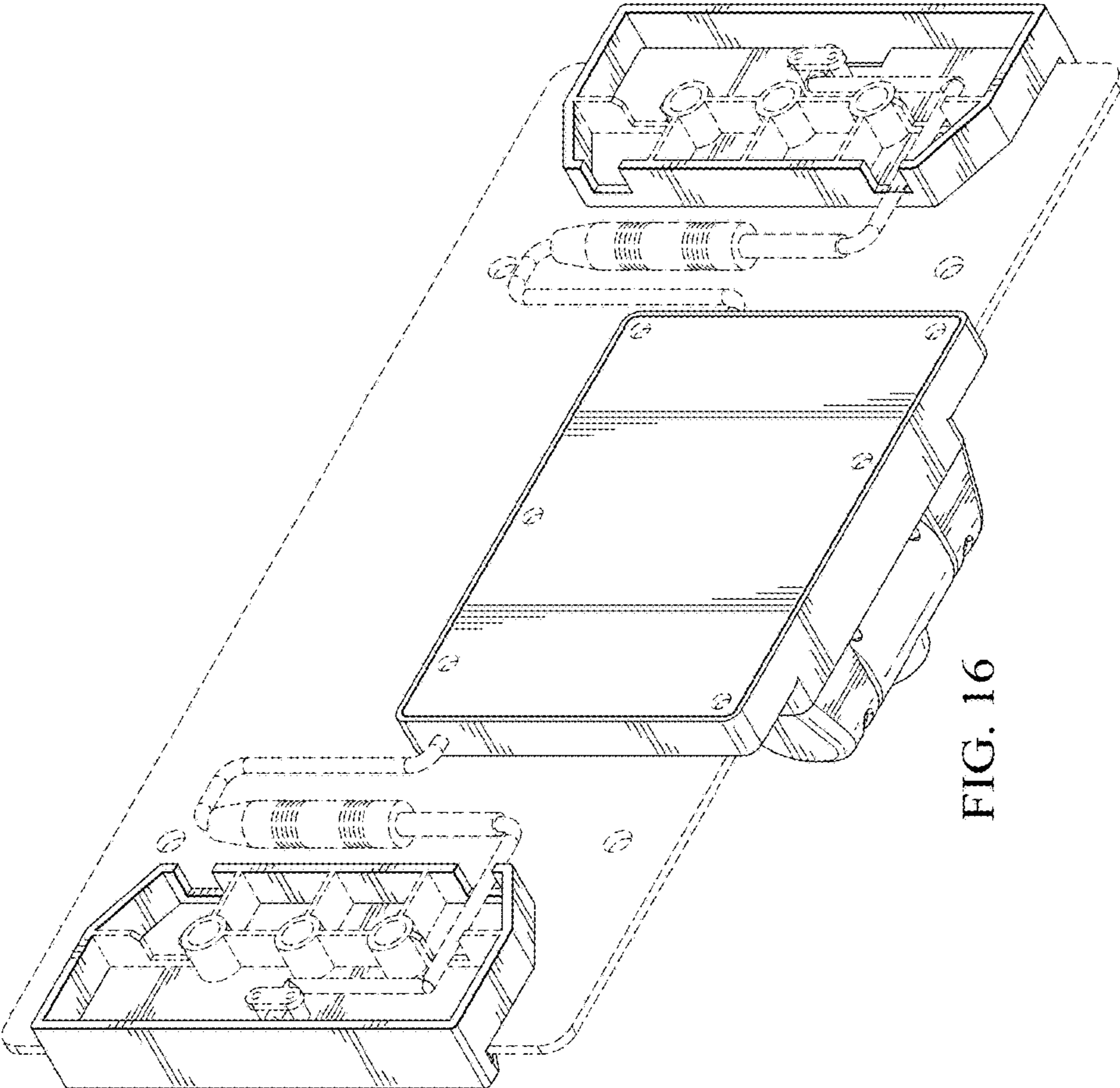


FIG. 16

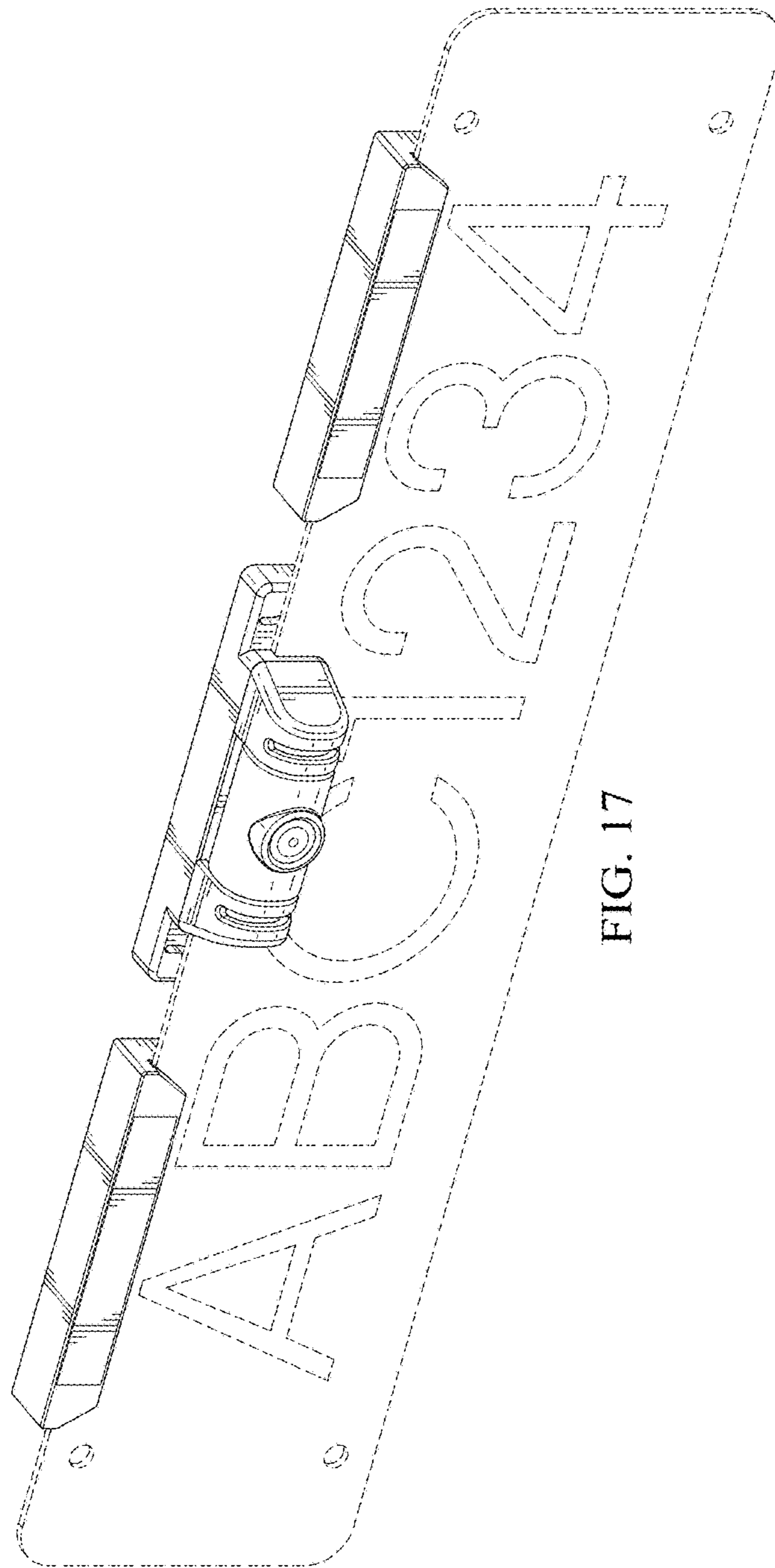


FIG. 17

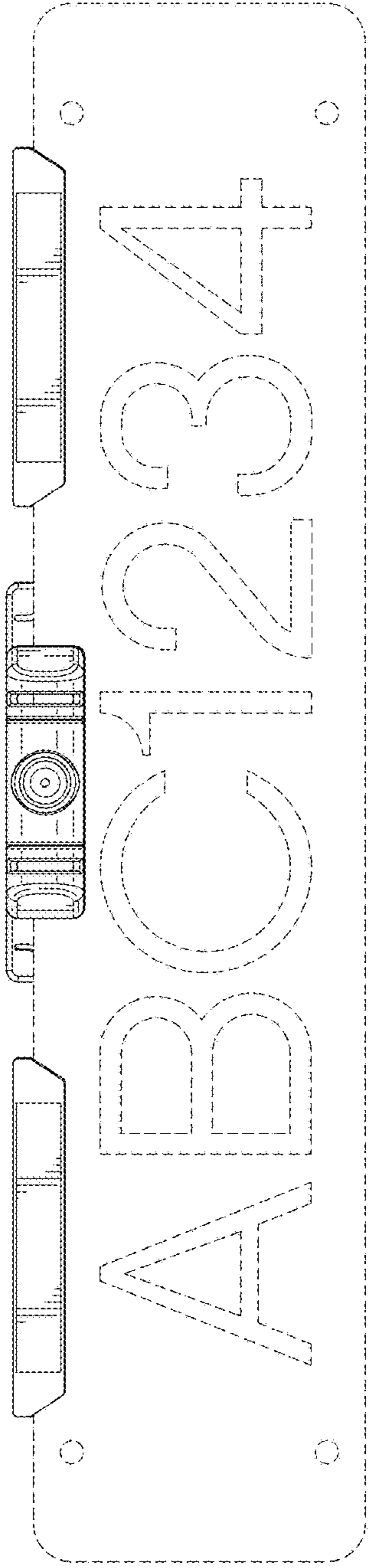


FIG. 18

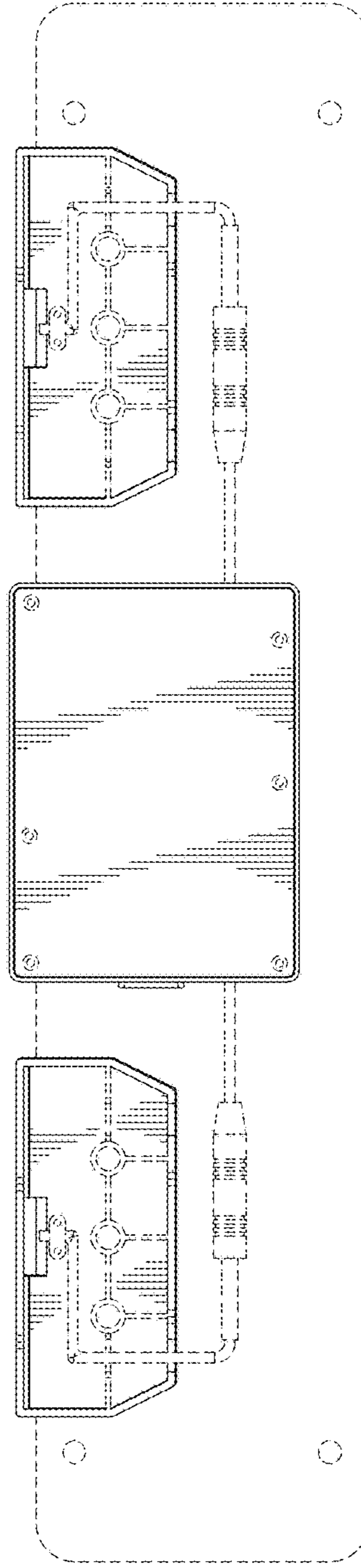


FIG. 19

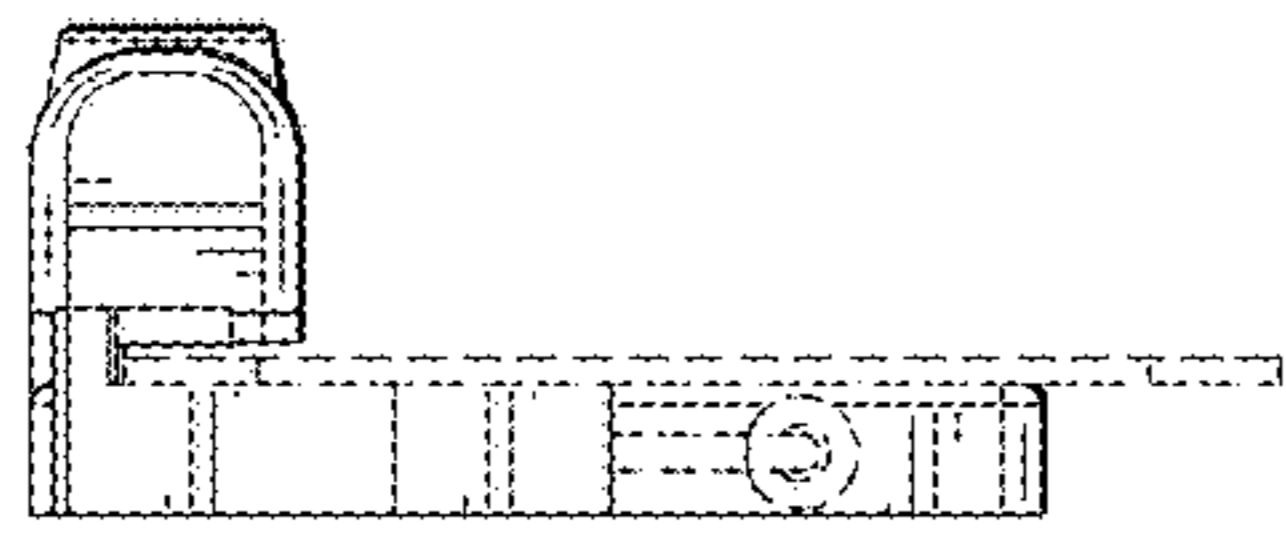


FIG. 20

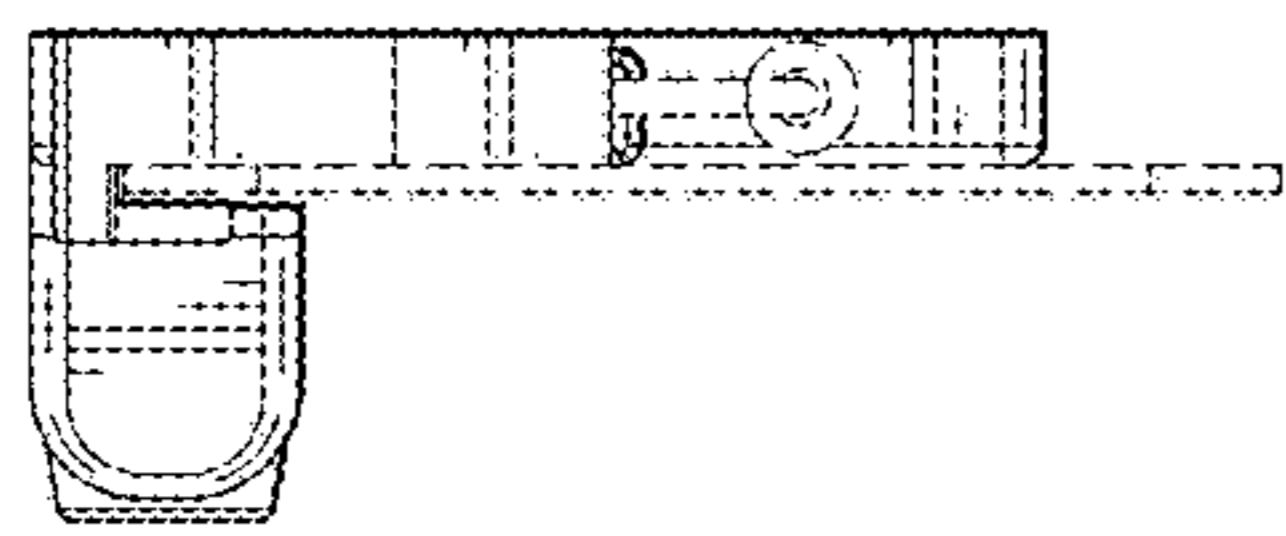


FIG. 21

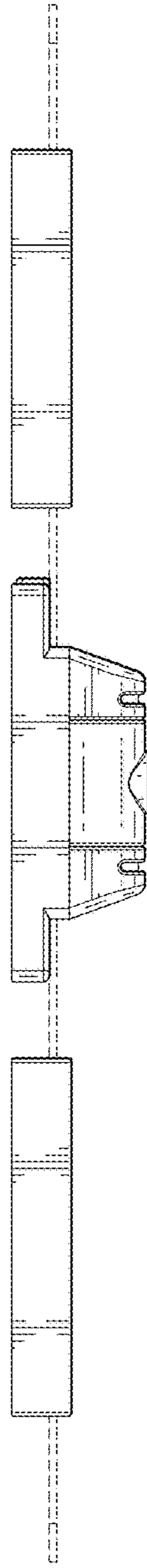


FIG. 22

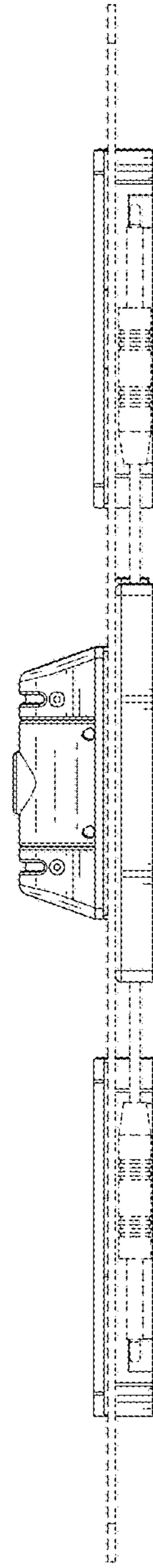


FIG. 23

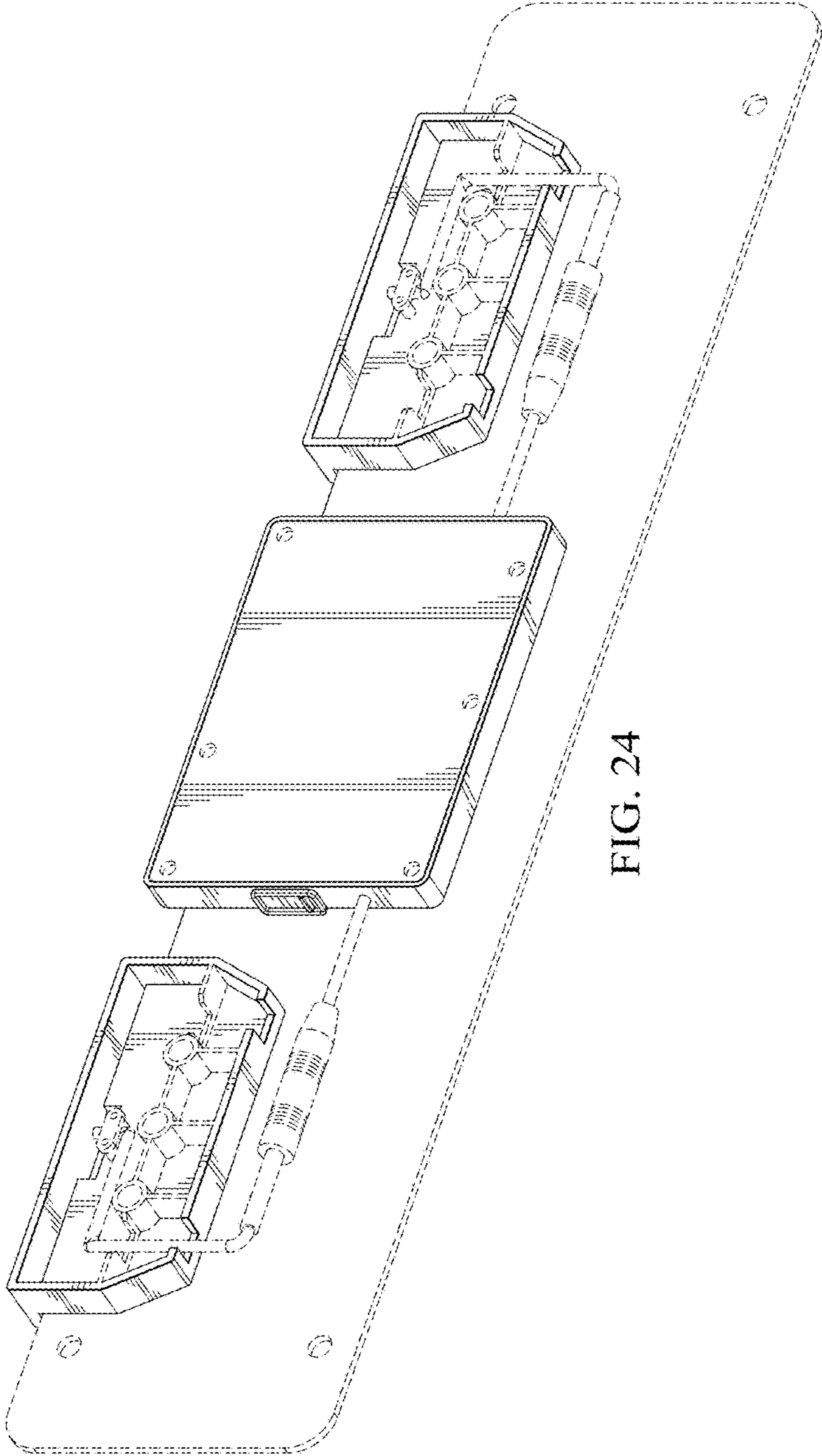


FIG. 24