



US00D853462S

(12) **United States Design Patent** (10) **Patent No.:** **US D853,462 S**
Sabourin et al. (45) **Date of Patent:** **** Jul. 9, 2019**

(54) ASTROGRAPH	5,495,364 A *	2/1996	Palmer	G02B 23/12 250/214 VT
(71) Applicant: VAONIS , Montpellier (FR)	D380,223 S *	6/1997	Palmer	D16/133
(72) Inventors: Benjamin Sabourin , Ivry sur Seine (FR); Nicolas Marquis , Ivry sur Seine (FR); Cyril Dupuy , Lattes (FR)	D409,212 S *	5/1999	Omino	D16/133
(73) Assignee: VAONIS , Montpellier (FR)	D417,881 S *	12/1999	Diebel	D16/132
(**) Term: 15 Years	D418,849 S *	1/2000	Becker	D16/133
(21) Appl. No.: 35/503,714	D422,610 S *	4/2000	Diebel	D16/132
(22) Filed: Aug. 31, 2017	D433,430 S *	11/2000	Meinzer	D16/132
(80) Hague Agreement Data	D438,221 S *	2/2001	Hedrick	D16/132
Int. Filing Date: Aug. 31, 2017	D439,260 S *	3/2001	Matsushita	D16/133
Int. Reg. No.: DM/097643	D499,436 S *	12/2004	Burr	D16/133
Int. Reg. Date: Aug. 31, 2017	D506,766 S *	6/2005	Yeung	D16/132
Int. Reg. Pub. Date: Sep. 29, 2017	7,375,756 B2 *	5/2008	Sato	G02B 23/18 348/335
(51) LOC (11) Cl.	D679,304 S *	4/2013	Delaney	D16/133
(52) U.S. Cl.	D752,670 S *	3/2016	Chen	D16/132
USPC	D798,356 S *	9/2017	Grasheim	D16/132
CPC				

* cited by examiner

Primary Examiner — Richard E Chilcot

(57) **CLAIM**

The ornamental design for an astrograph, as shown and described.

DESCRIPTION

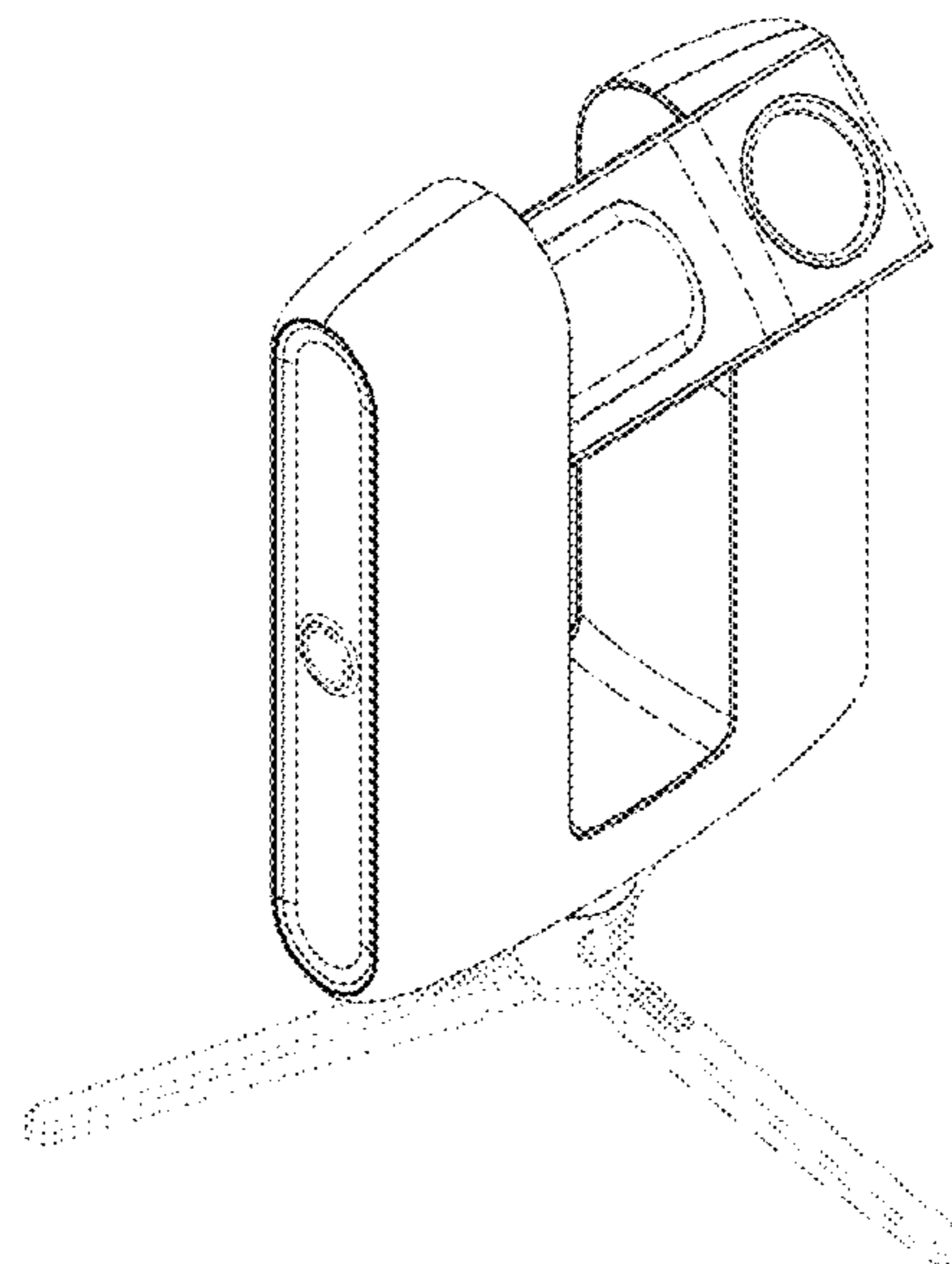
1. Astrograph
- 1.1 : Perspective (top side and left side)
 - 1.2 : Perspective of the left side open 135 degrees
 - 1.3 : Front view
 - 1.4 : Rear view
 - 1.5 : Right side view
 - 1.6 : Left side view
 - 1.7 : Top view
 - 1.8 : Bottom view
 - 1.9 : Front view open 135 degrees
 - 1.10 : Perspective of the left side open 180 degrees
- The broken line show environment of the astrograph which form no part of the claimed design.

1 Claim, 10 Drawing Sheets

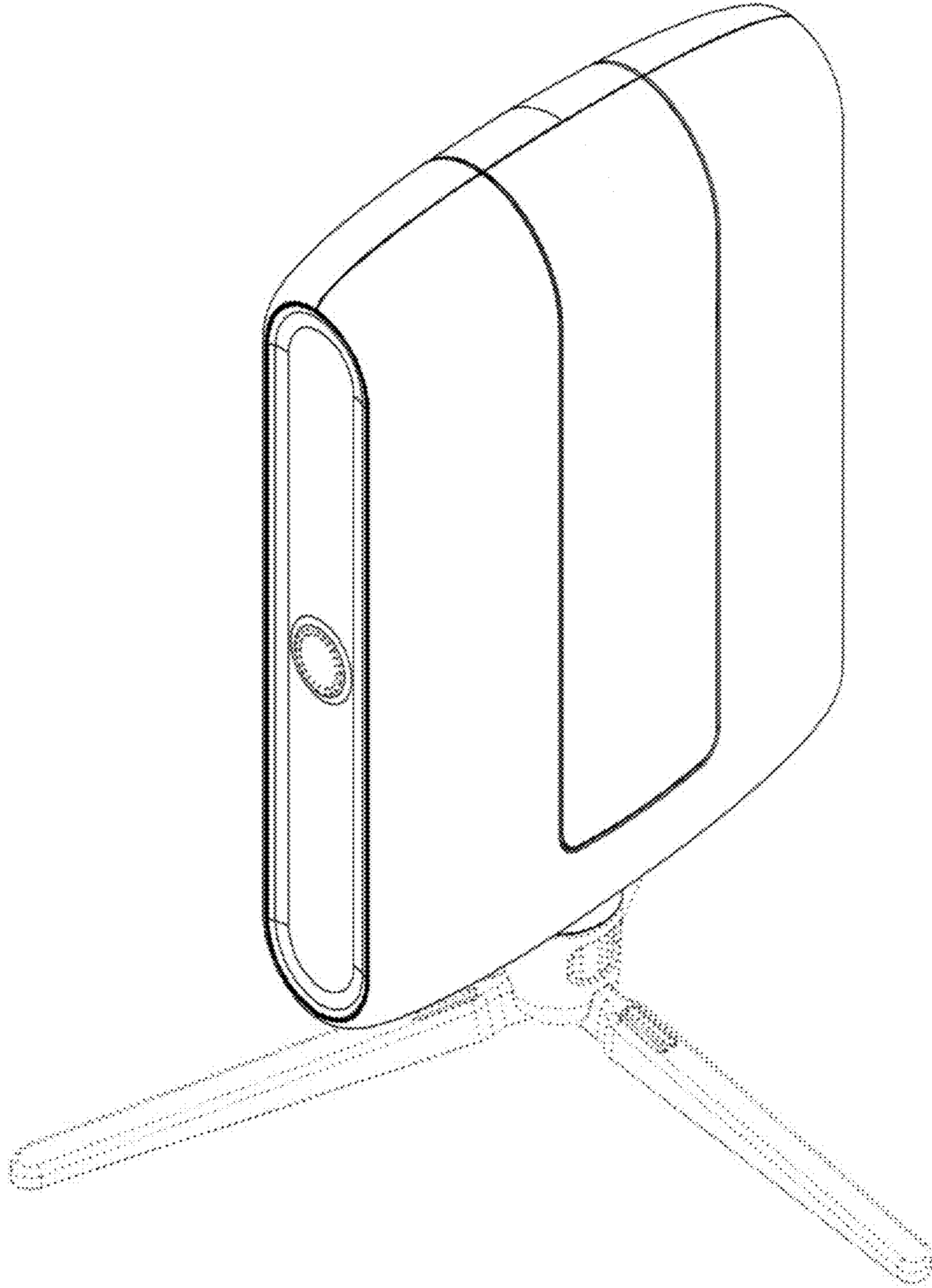
(56) **References Cited**

U.S. PATENT DOCUMENTS

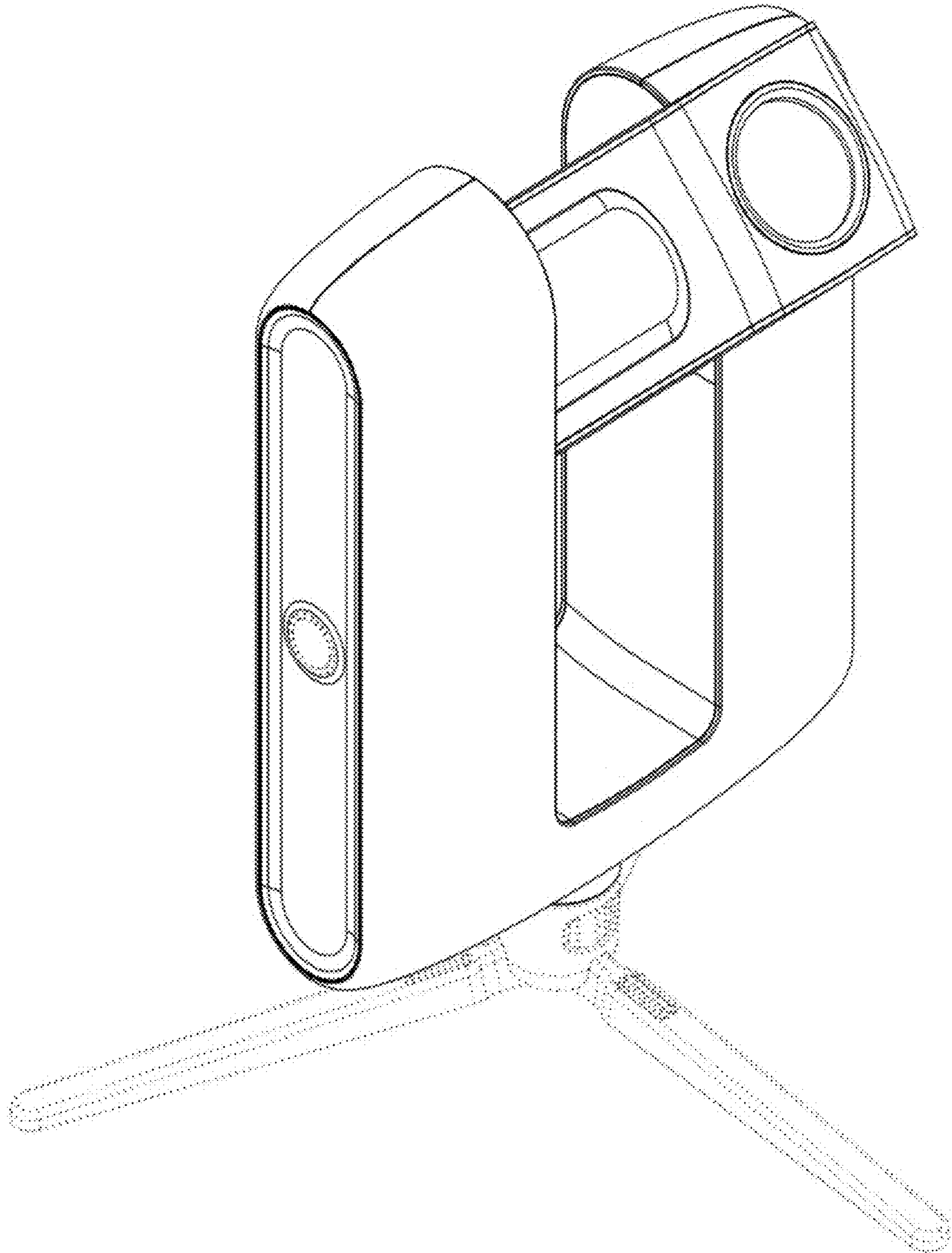
3,454,773 A *	7/1969	Bulthuis	G02B 23/00 178/17 R
D349,509 S *	8/1994	Williams, Jr. et al.	D16/130
D362,257 S *	9/1995	Palmer	D16/133



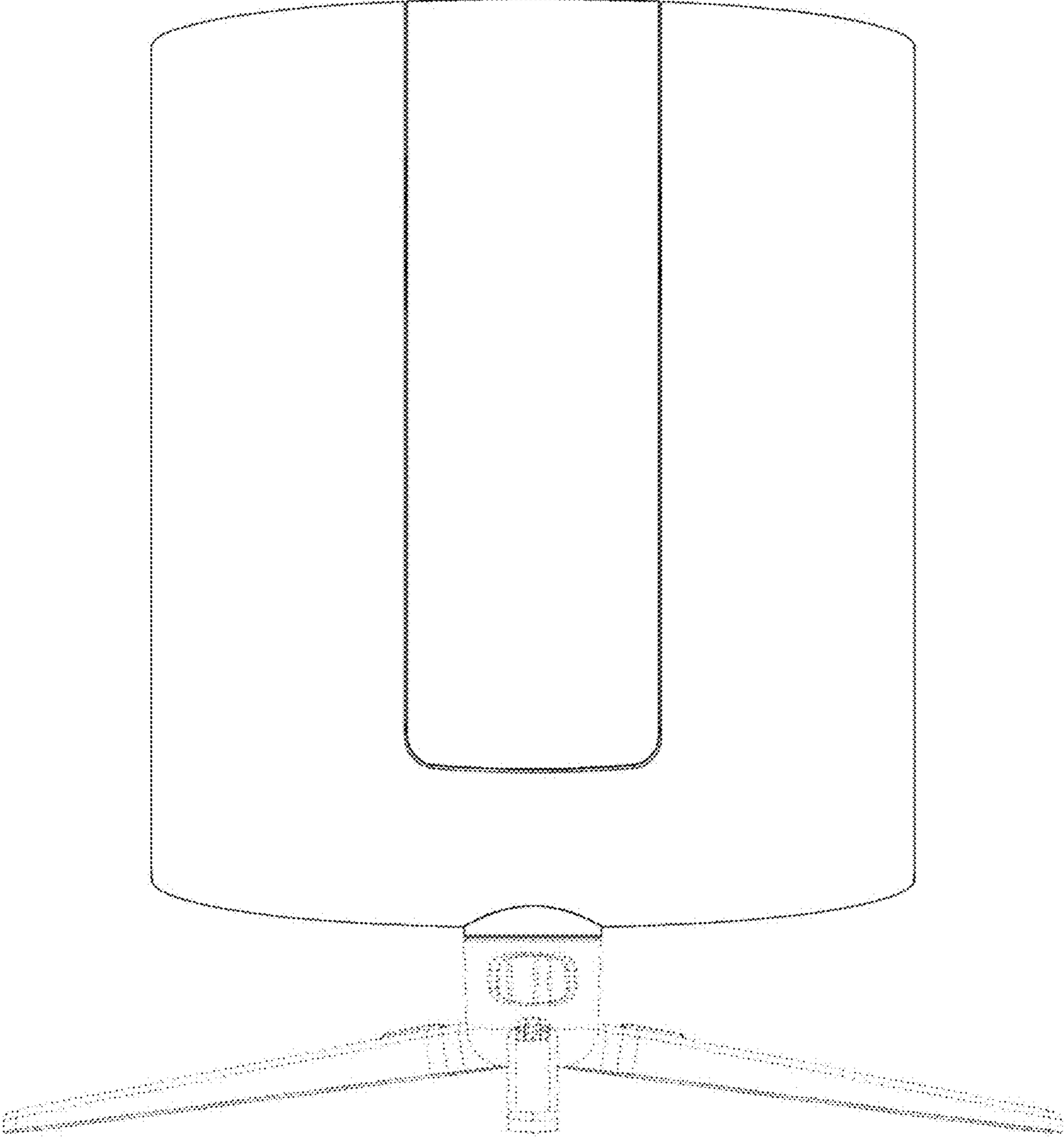
1.1



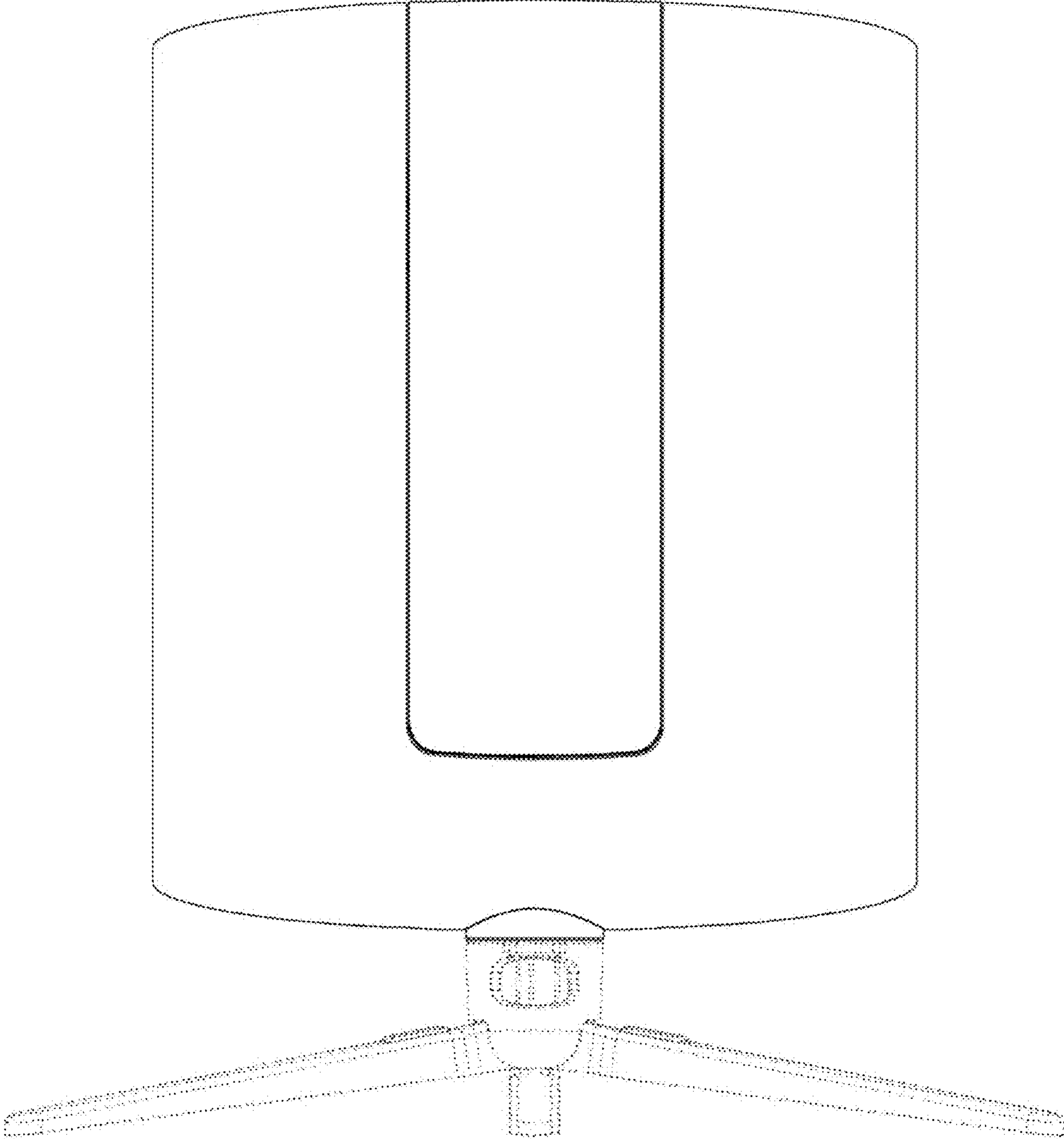
1.2



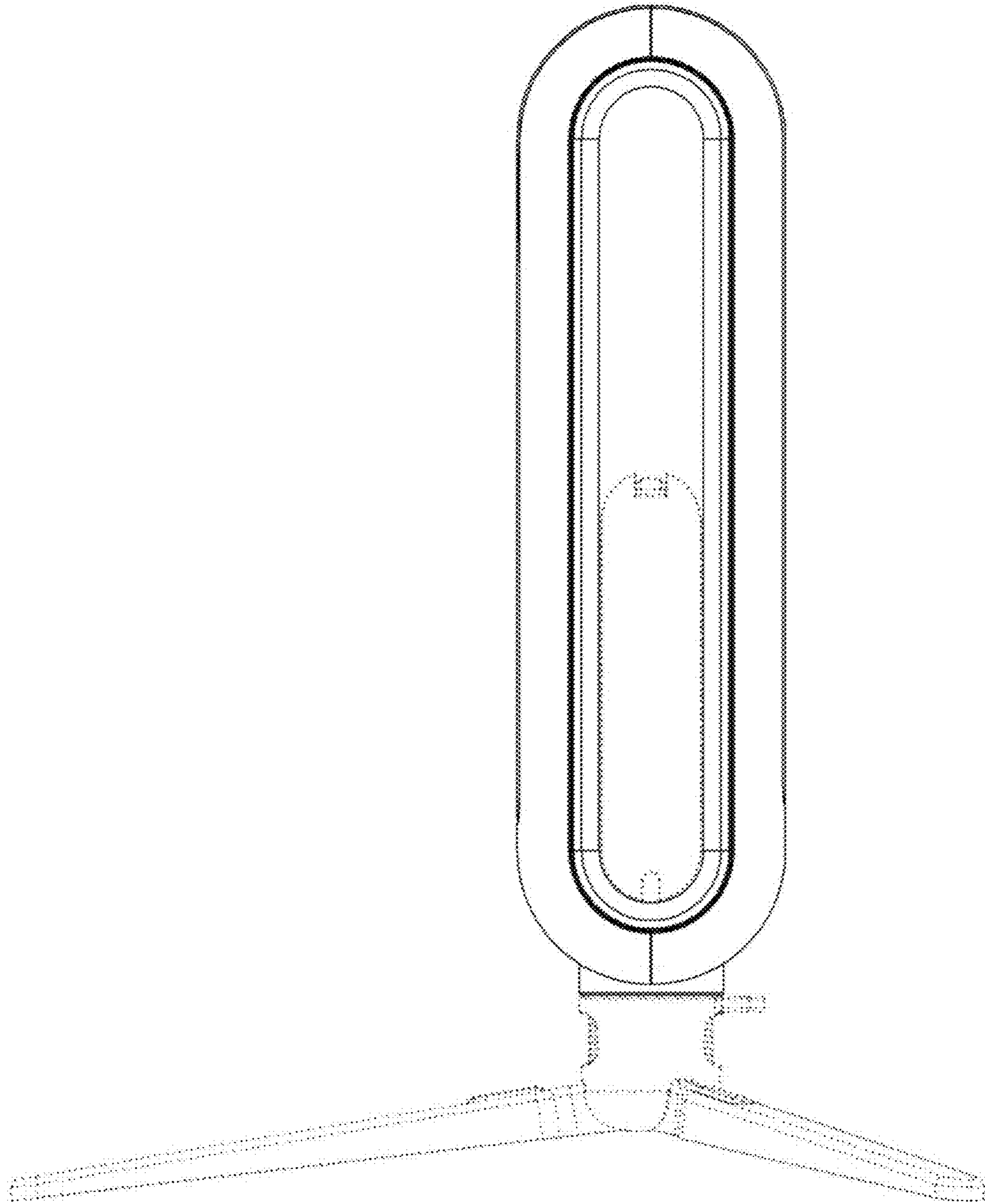
1.3



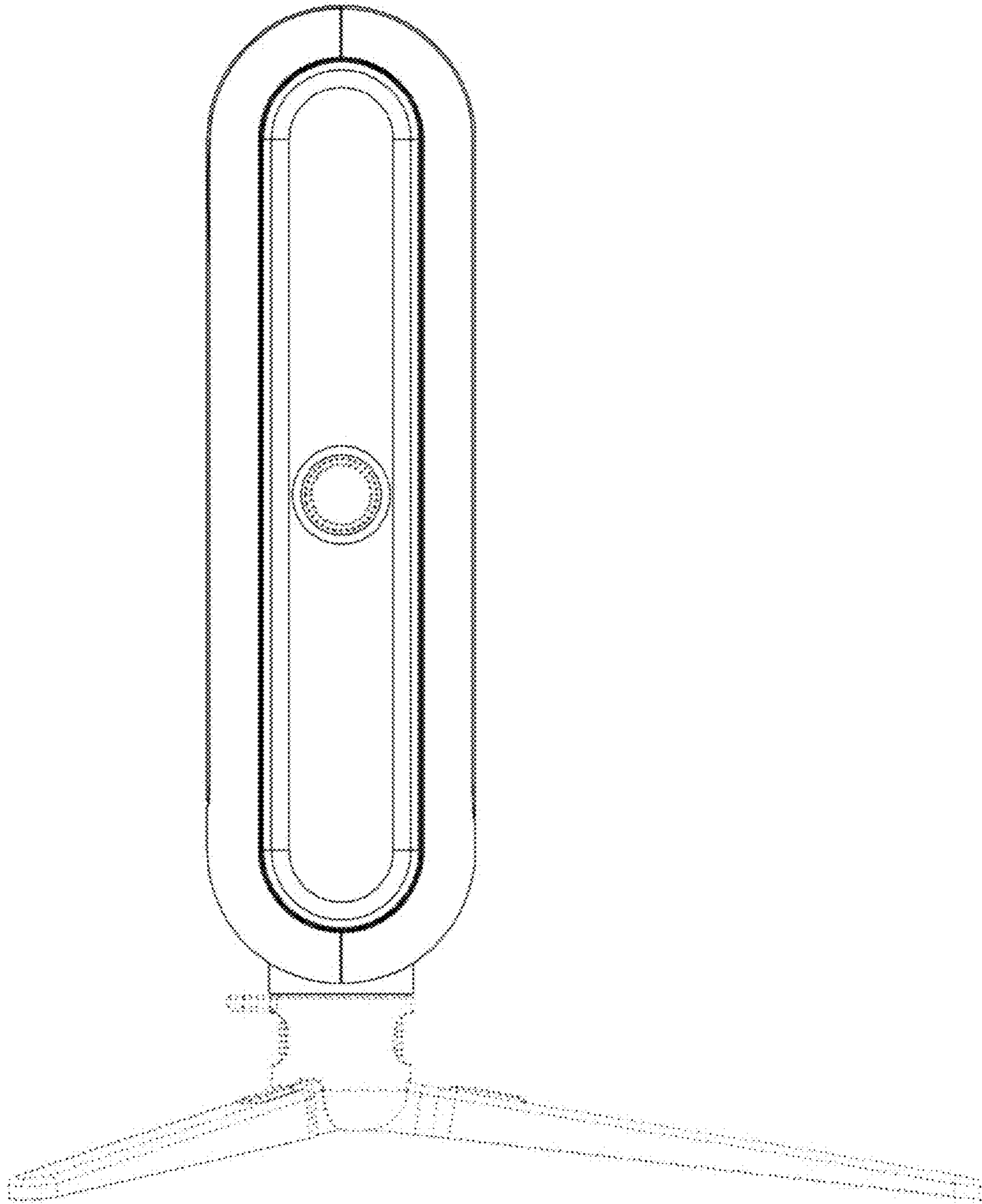
1.4



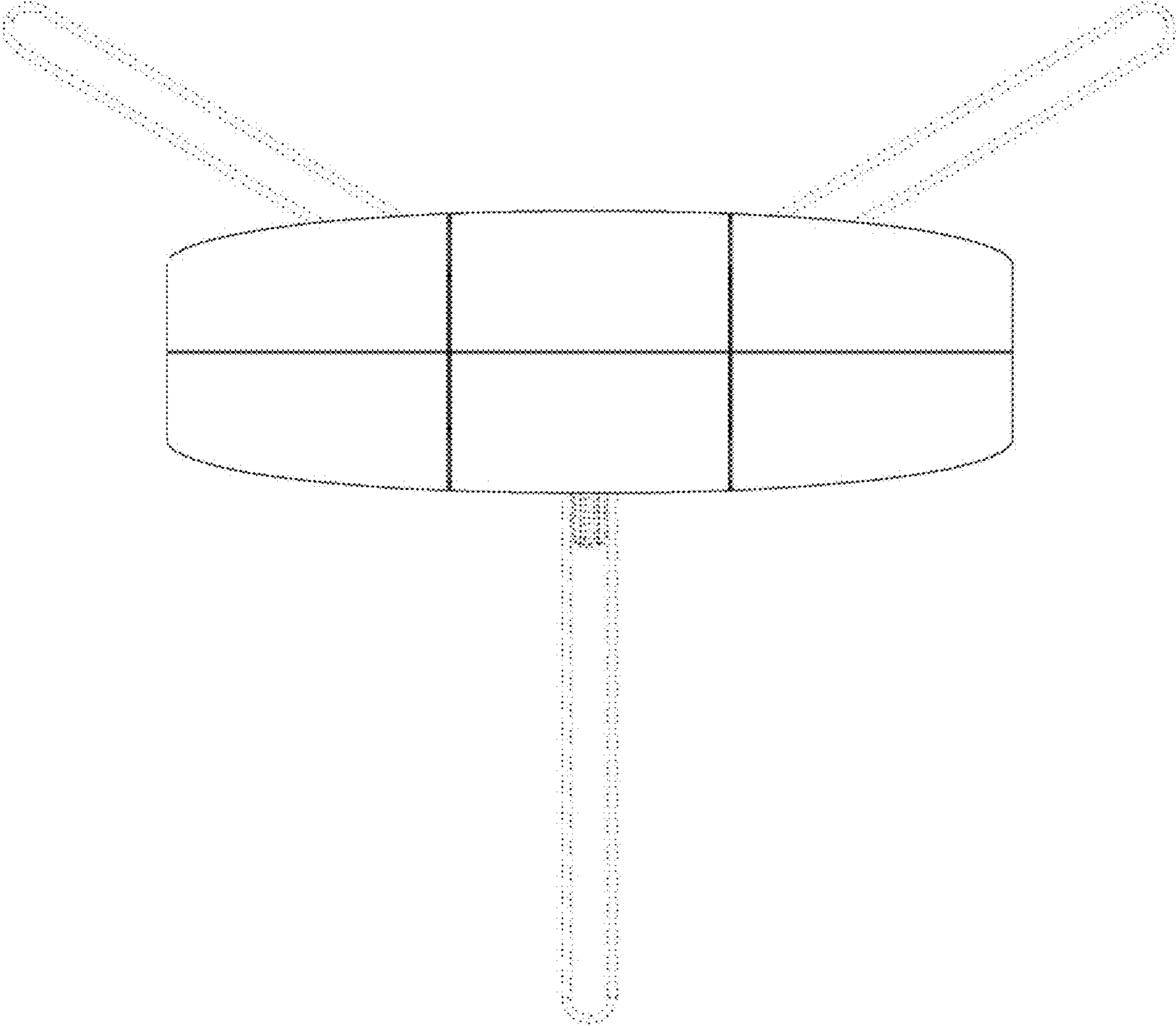
1.5



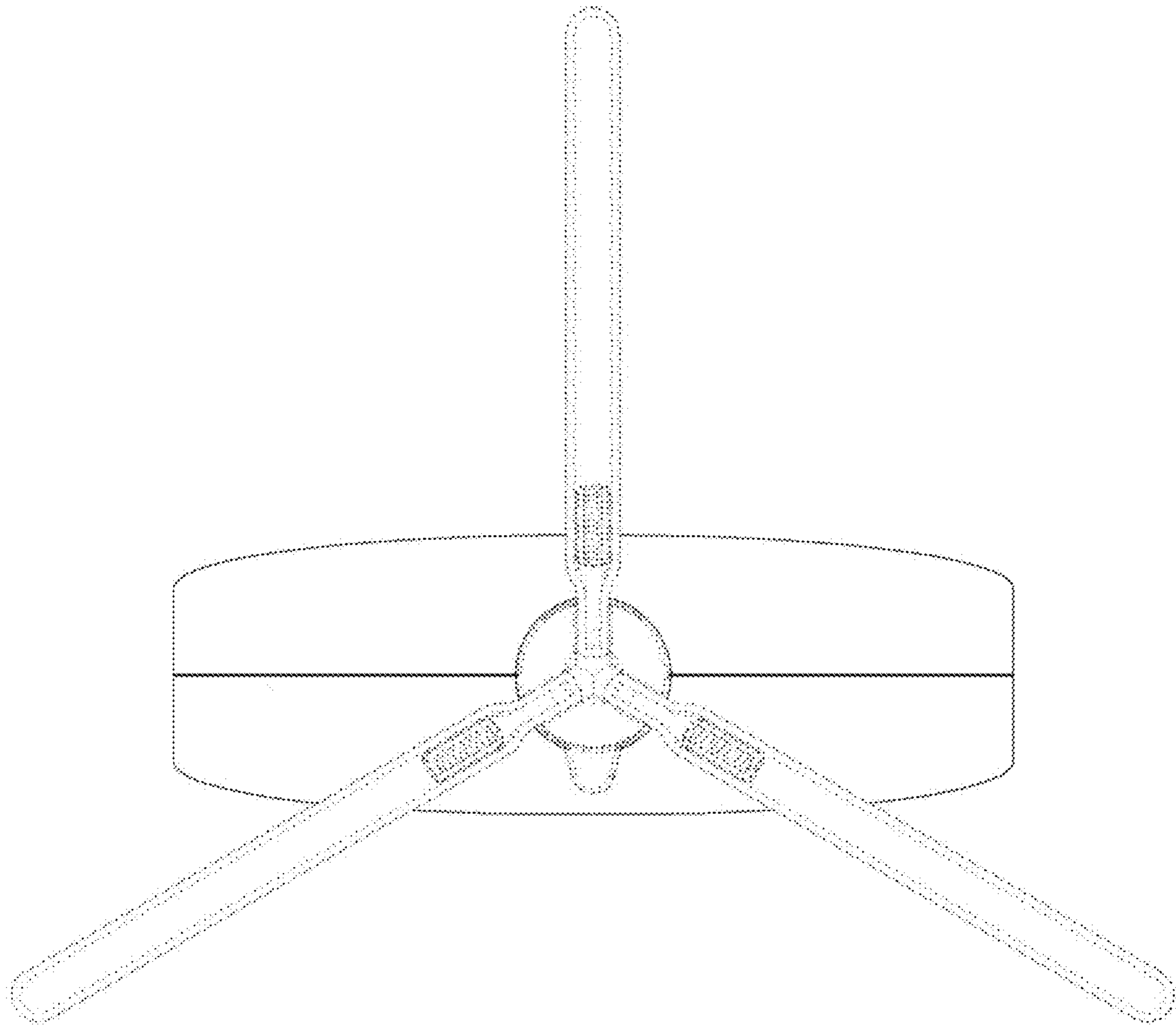
1.6



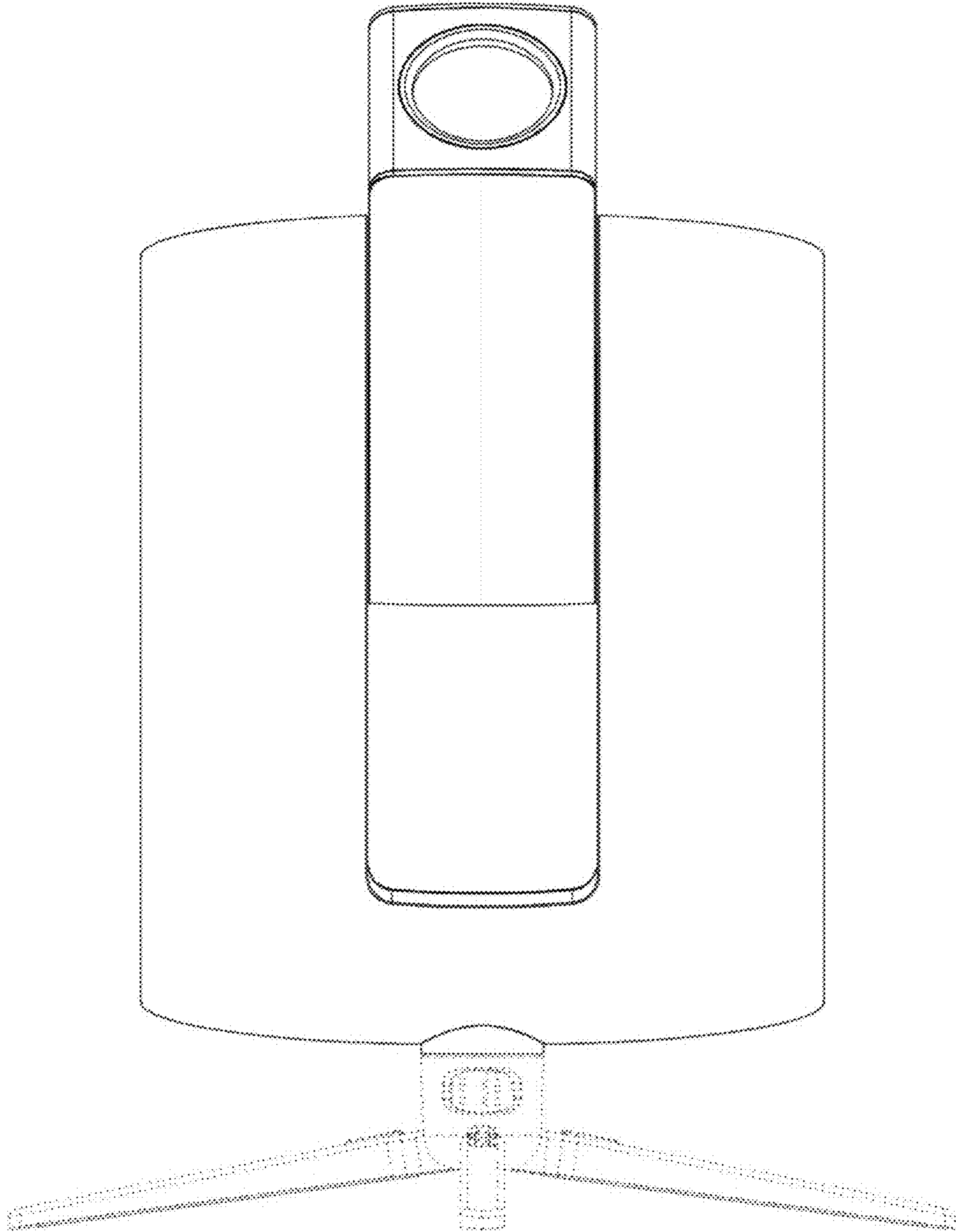
1.7



1.8



1.9



1.10

