



US00D853461S

(12) **United States Design Patent**
Cheikh et al.

(10) **Patent No.:** **US D853,461 S**
(45) **Date of Patent:** **** Jul. 9, 2019**

(54) **ROBOT**

(71) Applicant: **SITA Ypenburg BV**, The Hague (NL)

(72) Inventors: **Stephane Cheikh**, St Sulpice (CH);
Steven Sebastiaan Vroonland, St Sulpice (CH); **Koos Termeulen**, St Sulpice (CH); **Reinout Jules Reinhilde Vander Meulen**, St Sulpice (CH); **Julien Rochat**, St Sulpice (CH); **Nicola Tomatis**, St Sulpice (CH)

(**) Term: **15 Years**

(21) Appl. No.: **29/583,950**

(22) Filed: **Nov. 10, 2016**

(30) **Foreign Application Priority Data**

May 10, 2016 (EM) 003119908-0002

(51) **LOC (11) Cl.** **15-99**

(52) **U.S. Cl.**
USPC **D15/199**

(58) **Field of Classification Search**
USPC D7/300, 305, 306-311, 397-400;
D10/16, 22, 23, 25, 28; D15/10-13, 22,
D15/199; D20/1, 4, 5, 8; D23/383;
D32/17, 18, 21, 22, 31-34
CPC A63H 11/00; A63H 2200/00; B25J 9/00;
B25J 9/04; B25J 18/00; G06N 3/00;
G06N 3/004; G06N 3/008
See application file for complete search history.

(56) **References Cited**

U.S. PATENT DOCUMENTS

D527,854 S * 9/2006 Marzynski D15/199
D554,069 S * 10/2007 Bolotin D13/162
D554,070 S * 10/2007 Bolotin D13/162
D556,961 S * 12/2007 Swyst D15/199
D559,867 S * 1/2008 Abramson D15/14
D573,610 S * 7/2008 Abramson D15/14

D577,166 S * 9/2008 Rosenzweig D32/38
D586,959 S * 2/2009 Geringer D32/21
D593,265 S * 5/2009 Carr D32/21
D596,815 S * 7/2009 Baek D32/21
D599,066 S * 8/2009 Baker D32/38
D614,251 S * 4/2010 Chung D15/199

(Continued)

FOREIGN PATENT DOCUMENTS

WO WO 2008151345 A2 * 12/2008 A61G 5/047

OTHER PUBLICATIONS

SITA's baggage robot lends passengers a hand at Geneva Airport, posted on sita.aero, posted May 17, 2016, no production date given, [online], [site visited Aug. 16, 2017], Available from Internet, <URL: https://www.sita.aero/pressroom/news-releases/sitas-baggage-robot-lends-passengers-a-hand-at-geneva-airport>.*

(Continued)

Primary Examiner — Garth Rademaker
Assistant Examiner — Fritzgerald L Butac
(74) *Attorney, Agent, or Firm* — Morris, Manning & Martin, LLC; Daniel E. Sineway, Esq.; Bryan D. Stewart, Esq.

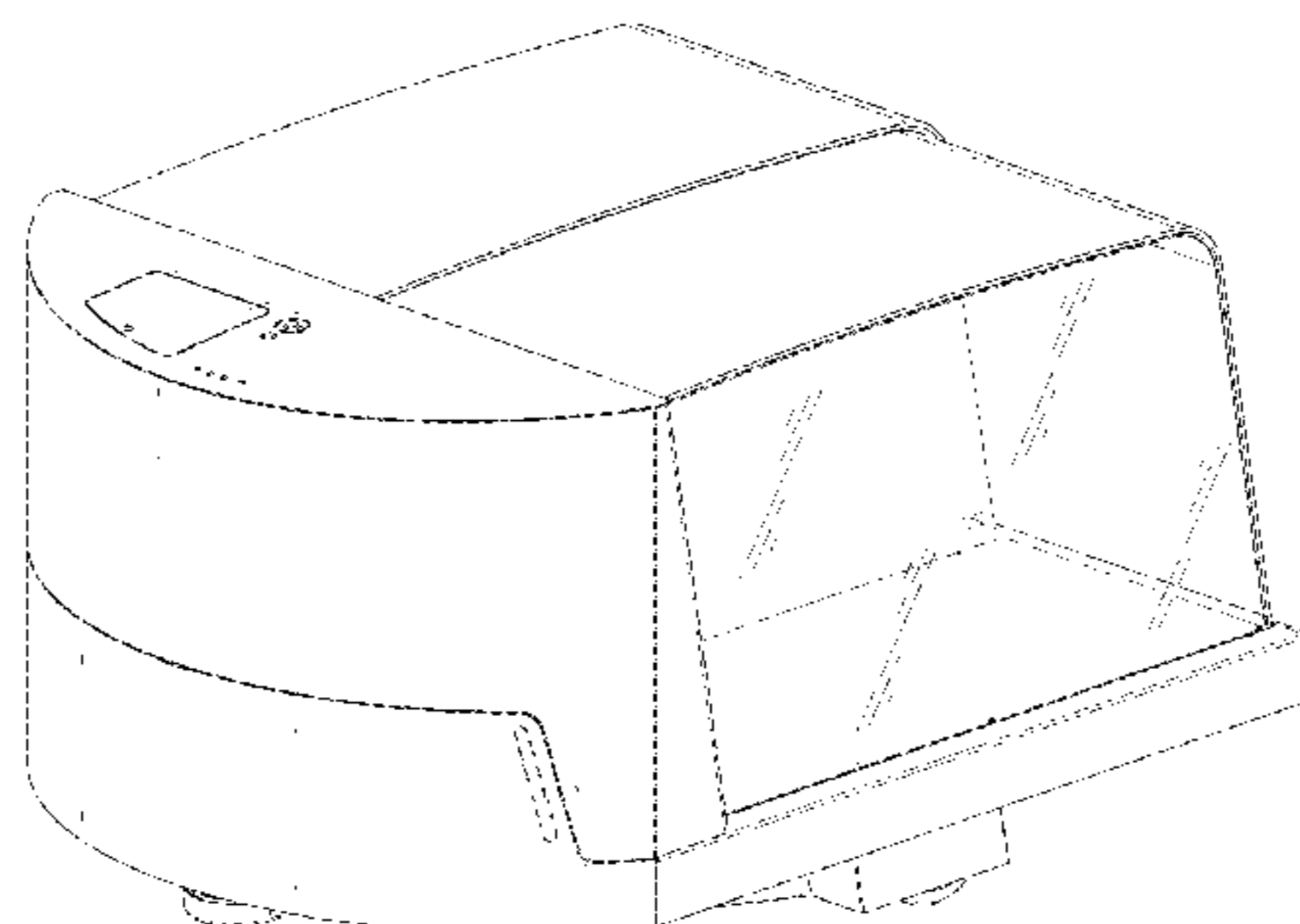
(57) **CLAIM**

The ornamental design for a robot, as shown and described.

DESCRIPTION

FIG. 1 is a perspective view of an exemplary robot; FIG. 2 is a front view of an exemplary robot thereof; FIG. 3 is a rear view of an exemplary robot thereof; FIG. 4 is a left view of an exemplary robot thereof; FIG. 5 is a right view of an exemplary robot thereof; FIG. 6 is a top view of an exemplary robot thereof; and, FIG. 7 is a bottom view of an exemplary robot thereof. The broken lines show portions of a robot that form no part of the claimed design.

1 Claim, 7 Drawing Sheets



(56)

References Cited

U.S. PATENT DOCUMENTS

D667,898	S *	9/2012	Gettings	D15/199
D671,681	S *	11/2012	Grienay	D28/38
D715,504	S *	10/2014	Deoksang	D32/21
D734,576	S *	7/2015	Dooley	D32/31
D734,907	S *	7/2015	Dooley	D32/31
D738,585	S *	9/2015	Dooley	D32/31
D748,878	S *	2/2016	Dooley	D32/21
D766,524	S *	9/2016	Ochi	D32/21
D771,332	S *	11/2016	Verhoorn	D32/21
D771,333	S *	11/2016	Verhoorn	D32/21
D771,884	S *	11/2016	Ninomiya	D32/21
D774,717	S *	12/2016	Choi	D32/21
D781,512	S *	3/2017	Neumann	D32/21
D781,930	S *	3/2017	Ward	D15/79
D784,640	S *	4/2017	Verhoorn	D32/31
D785,261	S *	4/2017	Choi	D32/31
D785,262	S *	4/2017	Choi	D32/31
D790,141	S *	6/2017	Verhoorn	D32/31
D791,208	S *	7/2017	Hale	D15/199
2017/0215662	A1 *	8/2017	Qian	A47L 1/02 15/97.1

OTHER PUBLICATIONS

The future of bag drops? New robot Leo meets flyers outside the terminal, scans their boarding passes and takes luggage away, posted on [dailymail.co.uk](http://www.dailymail.co.uk), posted May 23, 2016, no production date given, [online], [site visited Aug. 16, 2017], Available from Internet, <URL: http://www.dailymail.co.uk/travel/travel_news/article-3604650/The-future-bag-drops>.*

Incheon Airport to Deploy Robot Staff Later This Year, posted on english.chosun.com, posted Jul. 1, 2016, no production date given, [online], [site visited Aug. 16, 2017], Available from Internet, <URL: http://english.chosun.com/site/data/html_dir/2016/07/01/2016070101049.html>.*

Japan Airlines starts baggage robot trial. posted on passengerselfservice.com, posted Apr. 20, 2017, no production date given, [online], [site visited Aug. 16, 2017], Available from Internet, <URL: <http://www.passengerselfservice.com/2017/04/japan-airlines-starts-baggage-robot-trial/>>.*

* cited by examiner

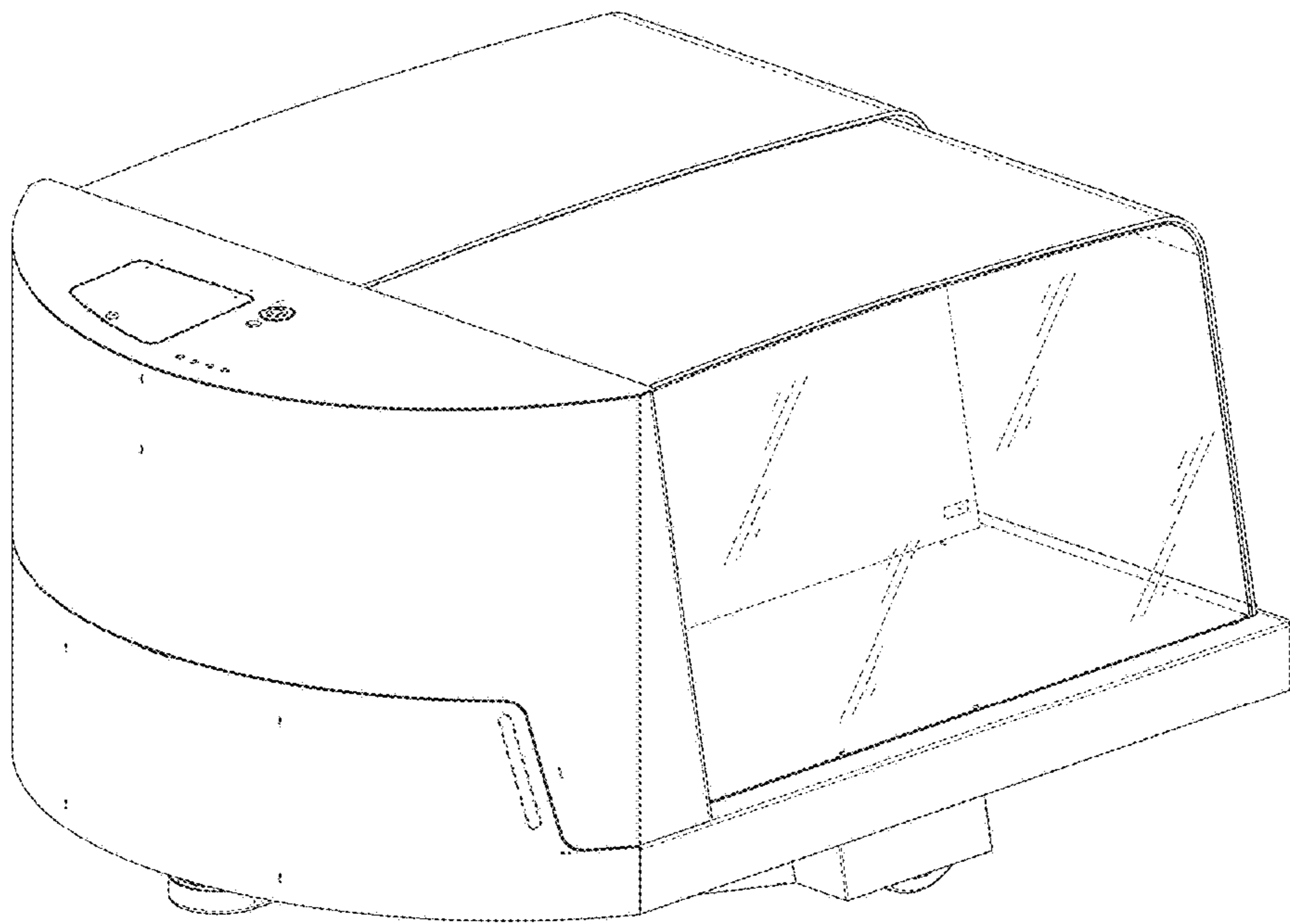


Fig. 1

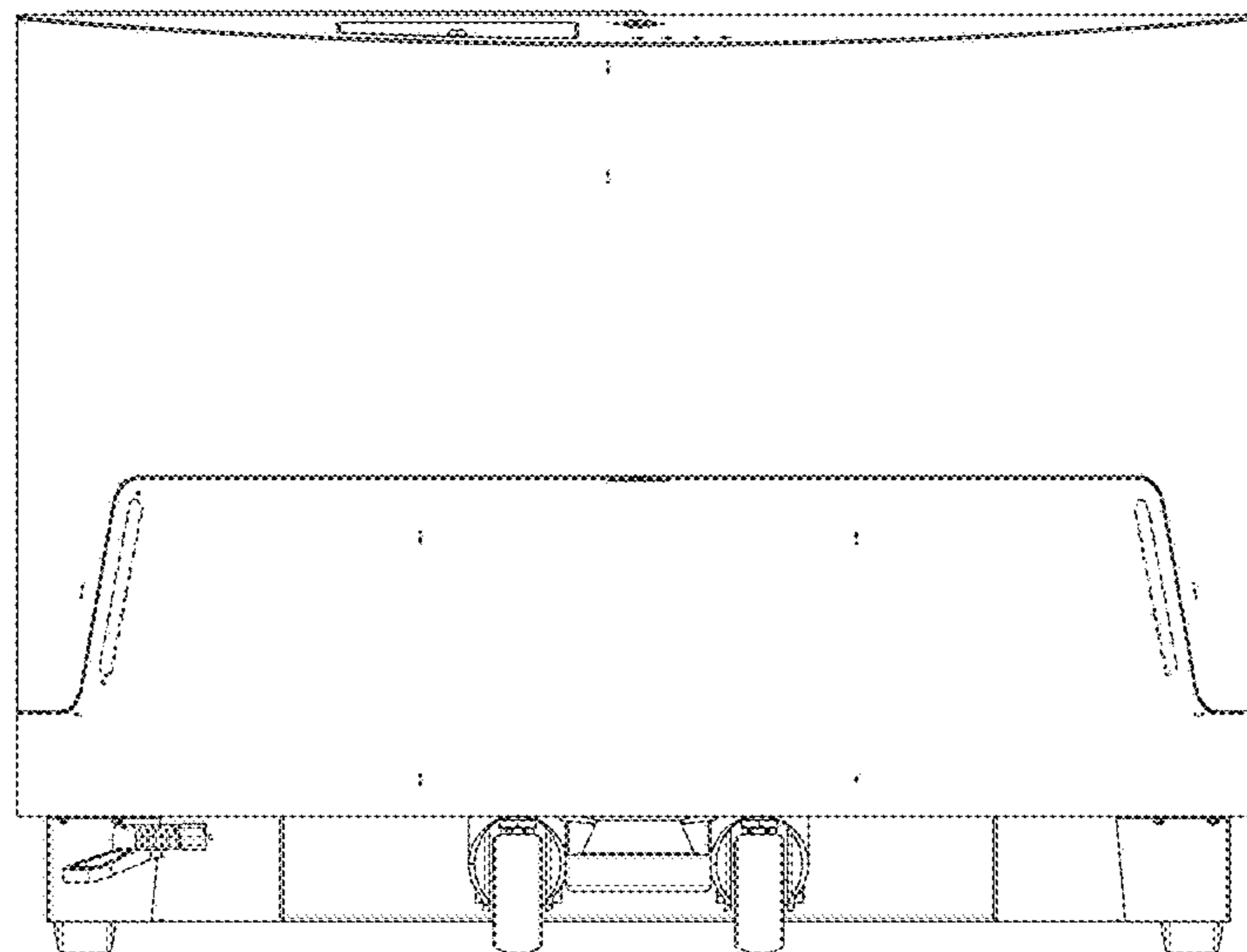


Fig. 2

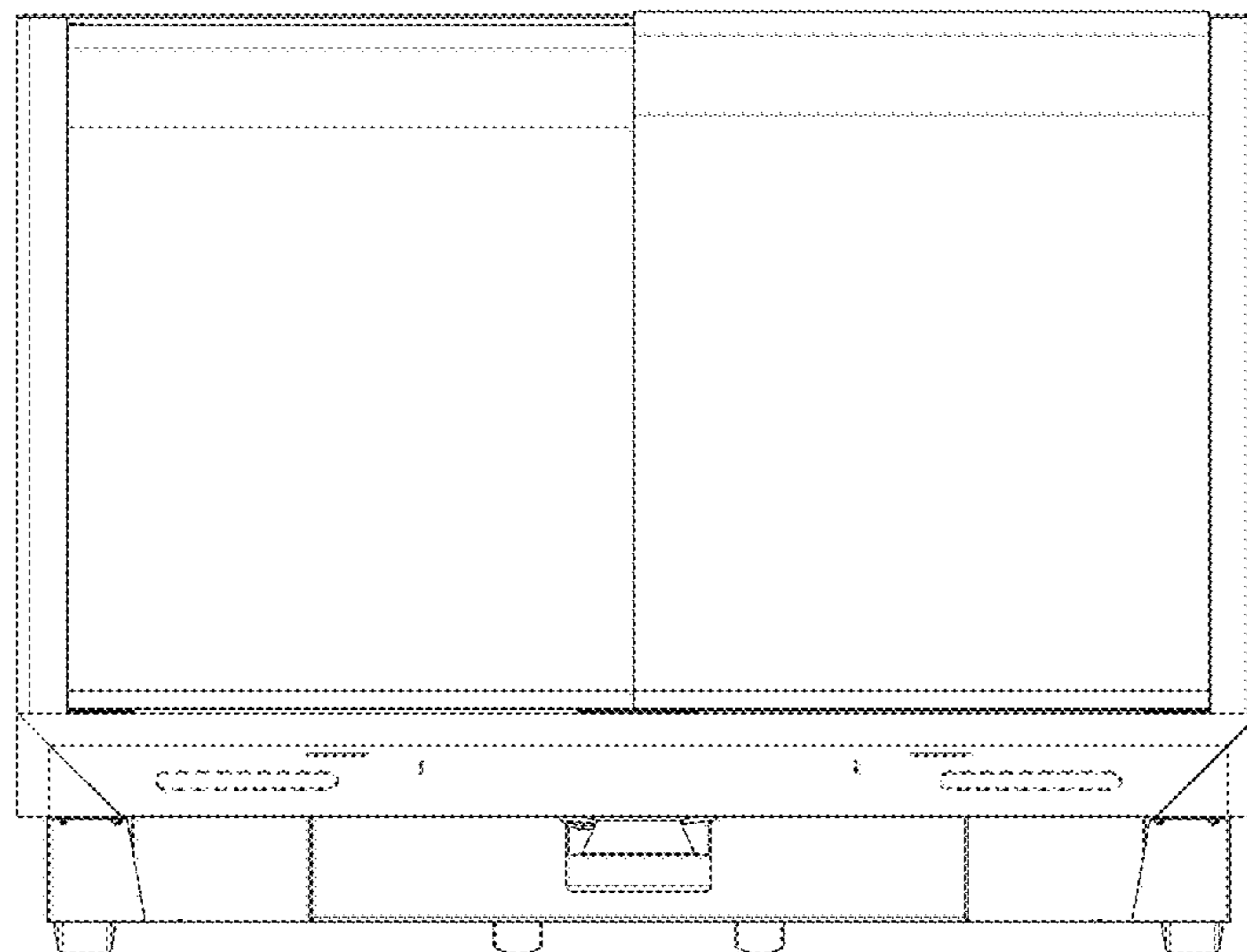


Fig. 3

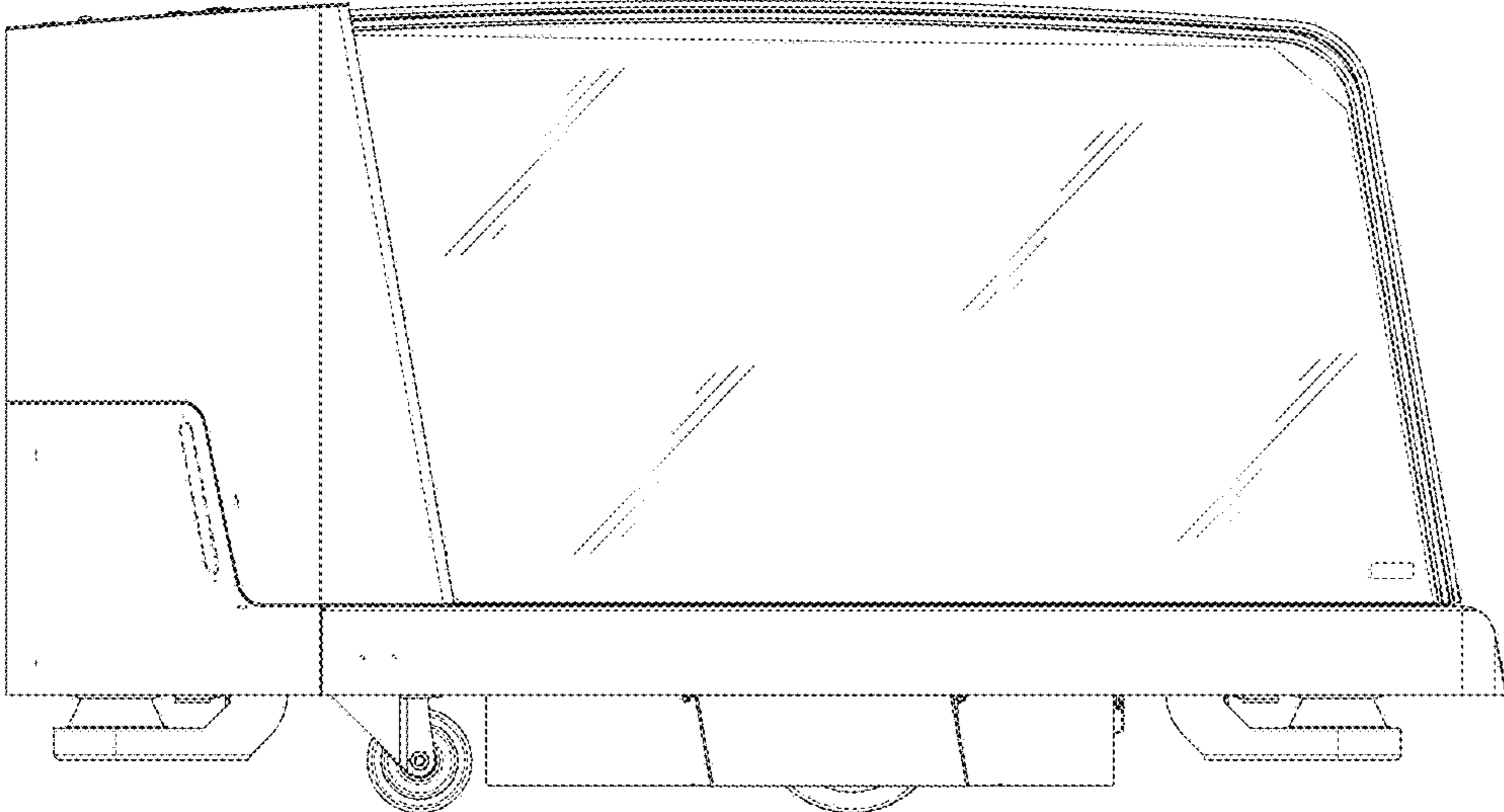


Fig. 4

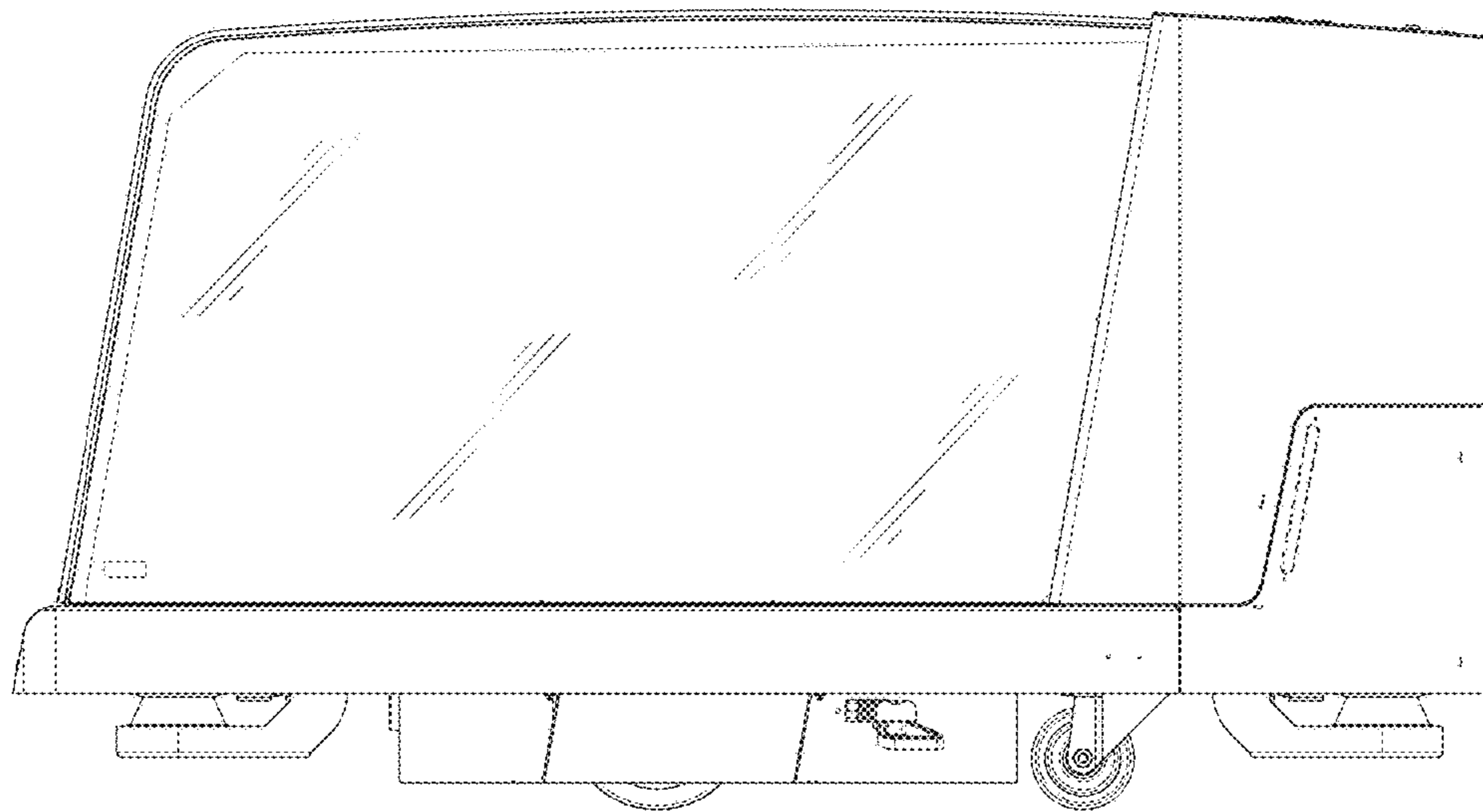


Fig. 5

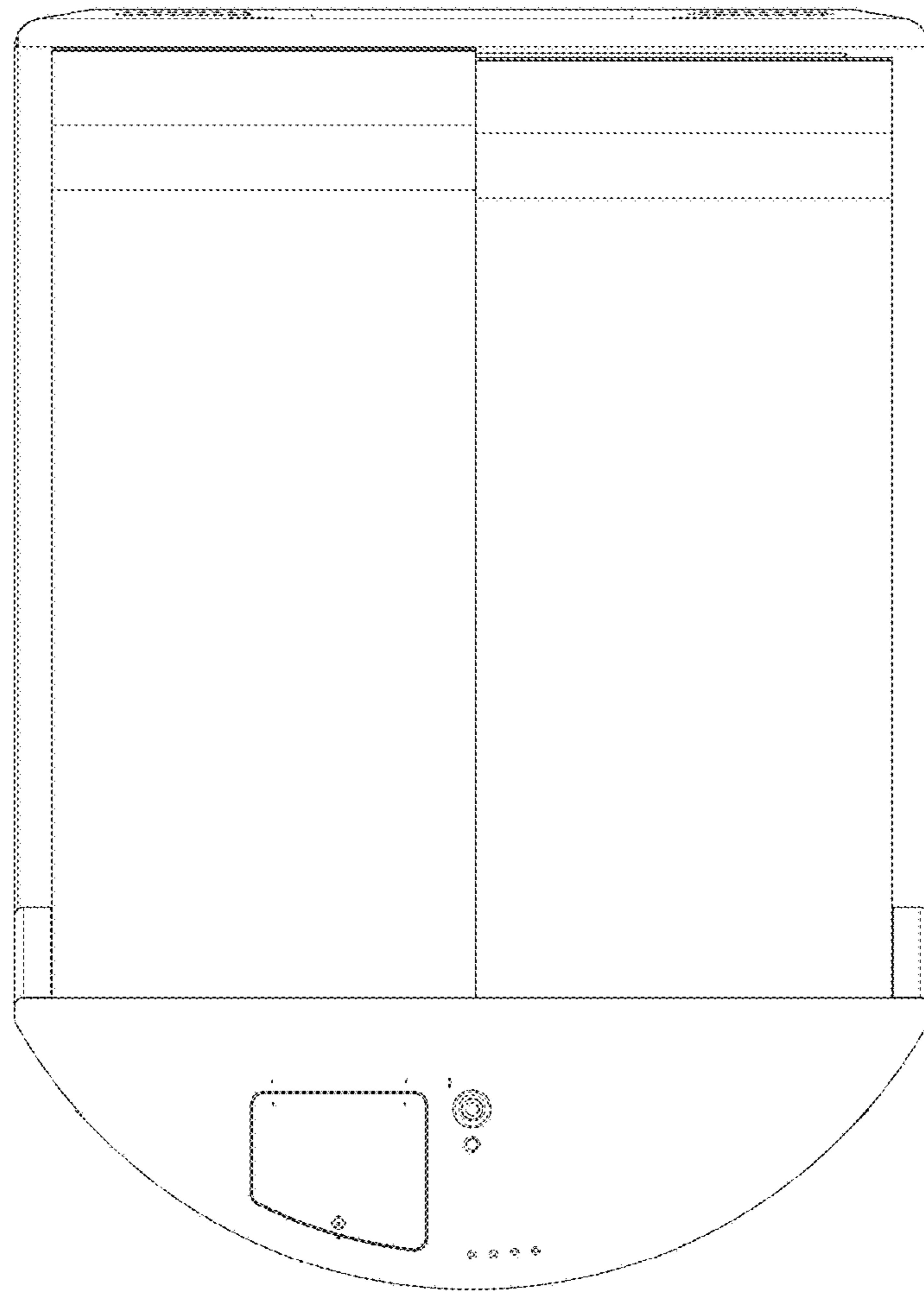


Fig. 6

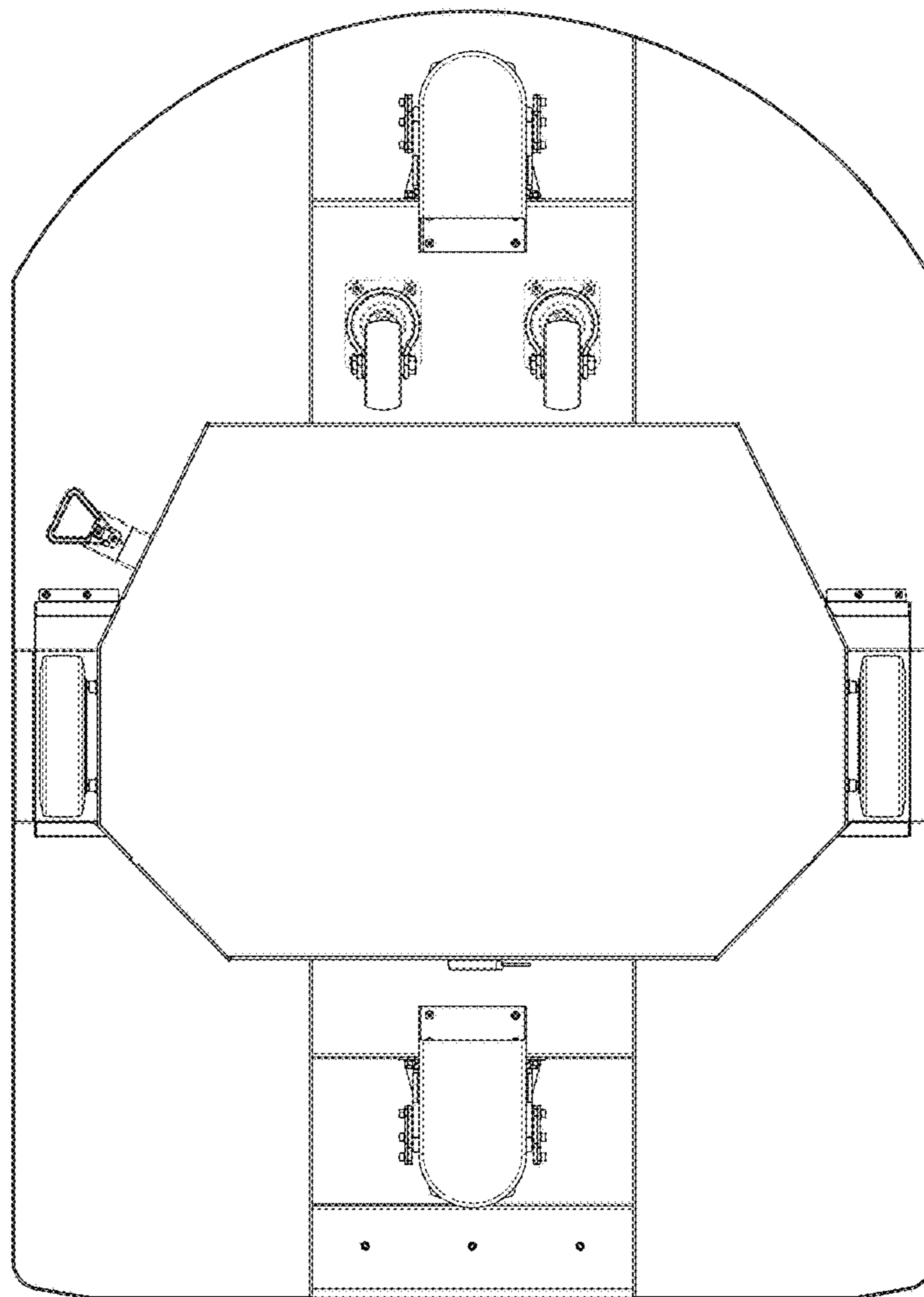


Fig. 7