



US00D853460S

(12) **United States Design Patent**
Zhuang

(10) **Patent No.:** **US D853,460 S**

(45) **Date of Patent:** **** Jul. 9, 2019**

(54) **LINEAR ACTUATOR**

(71) Applicant: **TIMOTION TECHNOLOGY CO., LTD.**, New Taipei (TW)

(72) Inventor: **Bing-Sen Zhuang**, New Taipei (TW)

(73) Assignee: **TIMOTION TECHNOLOGY CO., LTD.**, New Taipei (TW)

(**) Term: **15 Years**

(21) Appl. No.: **29/656,948**

(22) Filed: **Jul. 17, 2018**

(51) **LOC (11) Cl.** **15-09**

(52) **U.S. Cl.**
USPC **D15/148**

(58) **Field of Classification Search**
USPC 12/345; 13/118, 158, 162, 184; 15/1-5,
15/7, 9, 143, 148, 149, 199
CPC B66F 3/18; F16H 19/04; F16H 57/039;
H01F 7/066
See application file for complete search history.

(56) **References Cited**

U.S. PATENT DOCUMENTS

D333,666 S *	3/1993	Kawashima	D15/142
D379,468 S *	5/1997	Nagai	D15/149
D399,491 S *	10/1998	Nagai	D13/158
D399,830 S *	10/1998	Nagai	D13/158
D412,918 S *	8/1999	Nagai	D15/149
D413,129 S *	8/1999	Nagai	D15/199
D417,457 S *	12/1999	Asahara	D15/7
D456,826 S *	5/2002	Nagai	D15/143
D523,880 S *	6/2006	Christensen	D15/143
D578,147 S *	10/2008	Fukano	D15/143
D587,733 S *	3/2009	Niedermeyer	D15/143
D589,459 S *	3/2009	Iida	D13/158
D589,543 S *	3/2009	Lin	D15/143
D596,653 S *	7/2009	Fukano	D15/143

D611,514 S *	3/2010	Fukano	D15/143
D624,099 S *	9/2010	Fukano	D13/158
D624,100 S *	9/2010	Fukano	D13/158
D624,570 S *	9/2010	Fukano	D15/143
D624,572 S *	9/2010	Fukano	D13/158
D624,947 S *	10/2010	Christensen	D15/143
D625,745 S *	10/2010	Chiang	D15/143
D636,798 S *	4/2011	Fukano	D15/143
D650,401 S *	12/2011	Fukano	D15/143
D656,169 S *	3/2012	Fukano	D15/143
D686,257 S *	7/2013	Wu	D15/143
D704,238 S *	5/2014	Fukano	D15/143
D744,559 S *	12/2015	Nakayama	D15/143
D767,656 S *	9/2016	Wu	D15/143
D839,937 S *	2/2019	Zhuang	D15/143

(Continued)

Primary Examiner — Patricia A Palasik

(74) *Attorney, Agent, or Firm* — Chun-Ming Shih; HDLS IPR Services

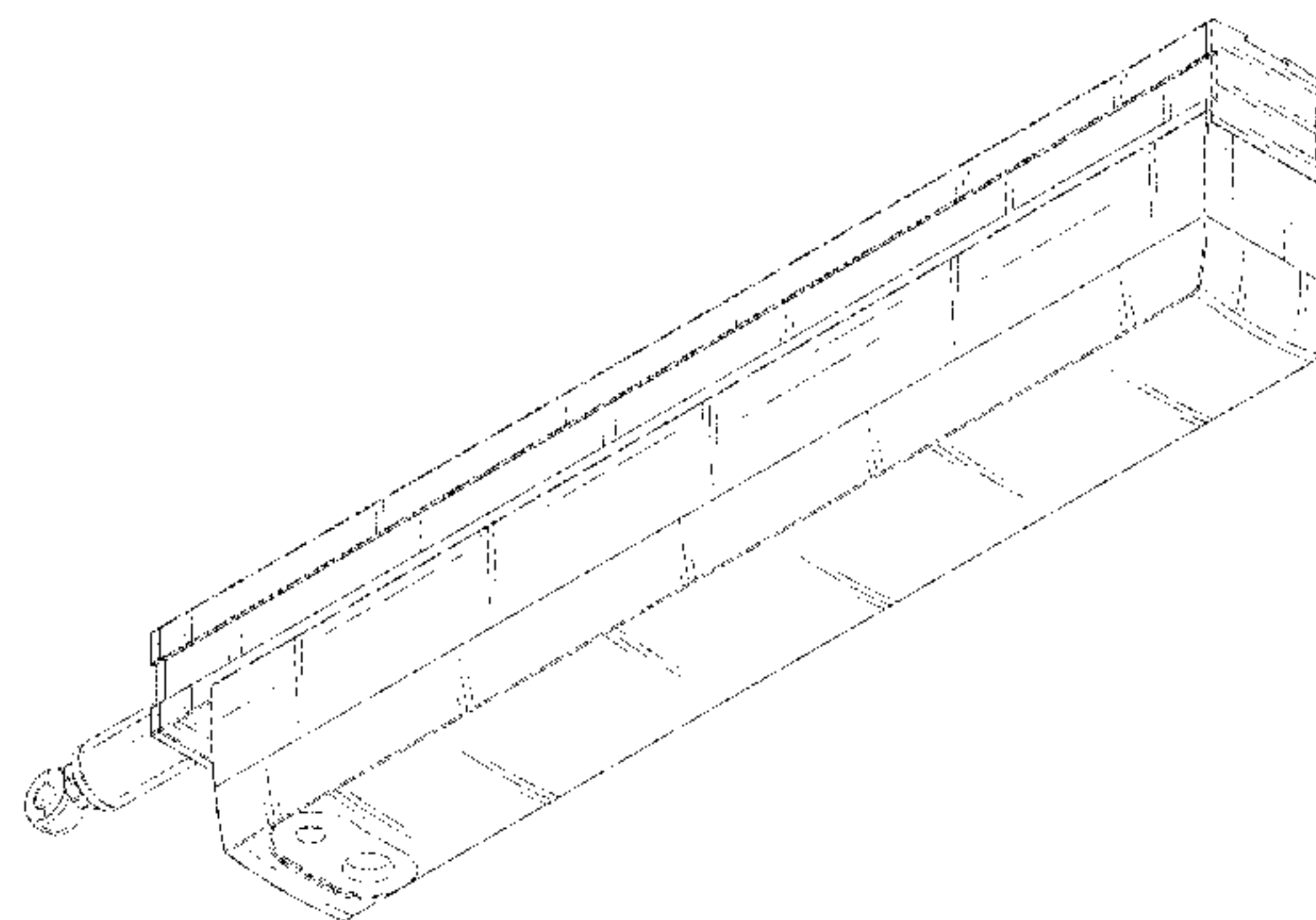
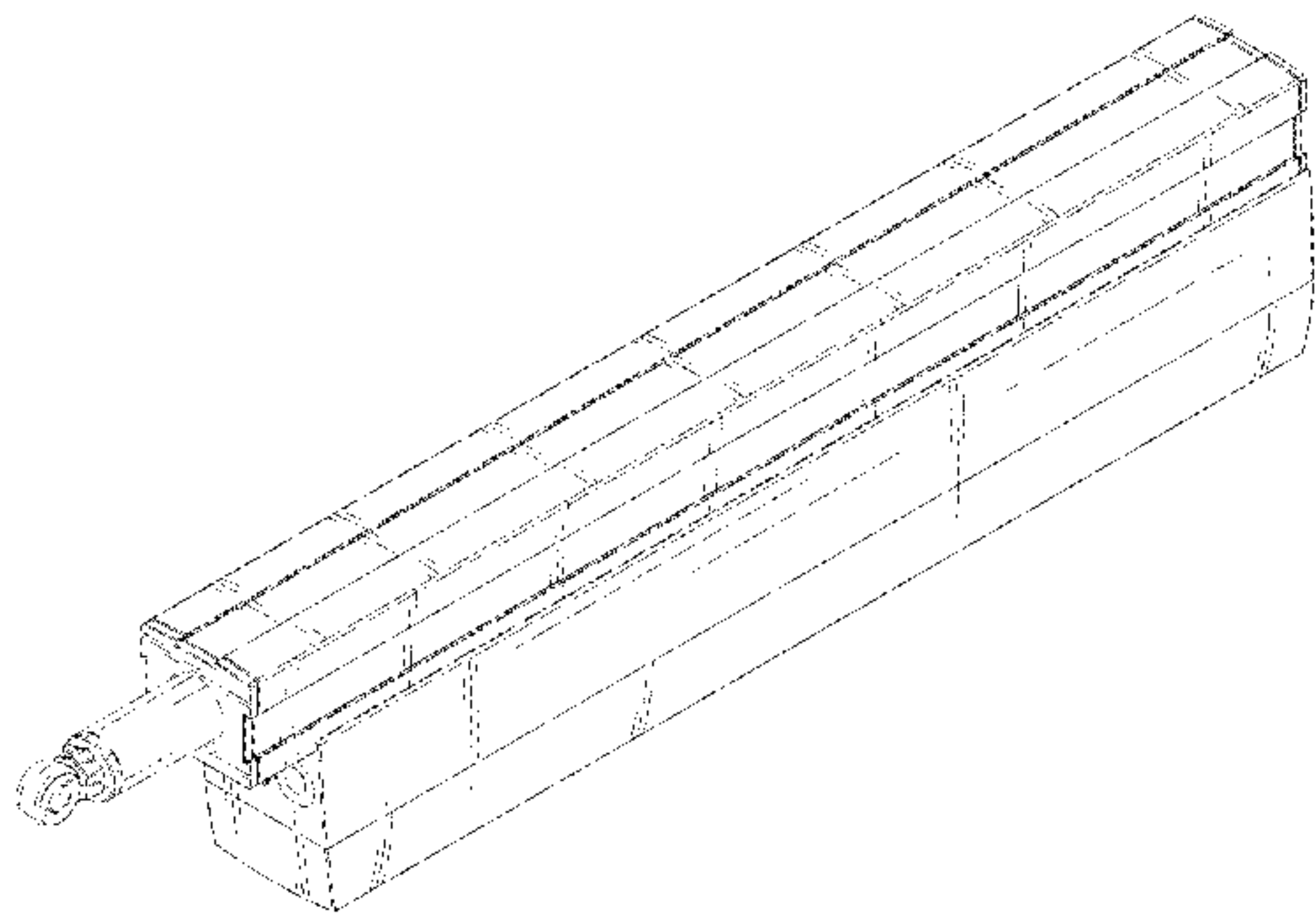
(57) **CLAIM**

The ornamental design for a linear actuator, as shown and described.

DESCRIPTION

FIG. 1 is a perspective view of a linear actuator showing my new design;
 FIG. 2 is a front view thereof;
 FIG. 3 is a rear view thereof;
 FIG. 4 is a left side view thereof;
 FIG. 5 is a right side view thereof;
 FIG. 6 is a top view thereof;
 FIG. 7 is a bottom view thereof; and
 FIG. 8 is second perspective view showing the linear actuator; and,
 FIG. 9 is a third perspective view showing the linear actuator.
 The broken lines in the drawings depict portions of the linear actuator which form no part of the claimed design.

1 Claim, 9 Drawing Sheets



(56)

References Cited

U.S. PATENT DOCUMENTS

2002/0134180 A1 * 9/2002 Gorin F16H 25/2015
74/89.37

* cited by examiner

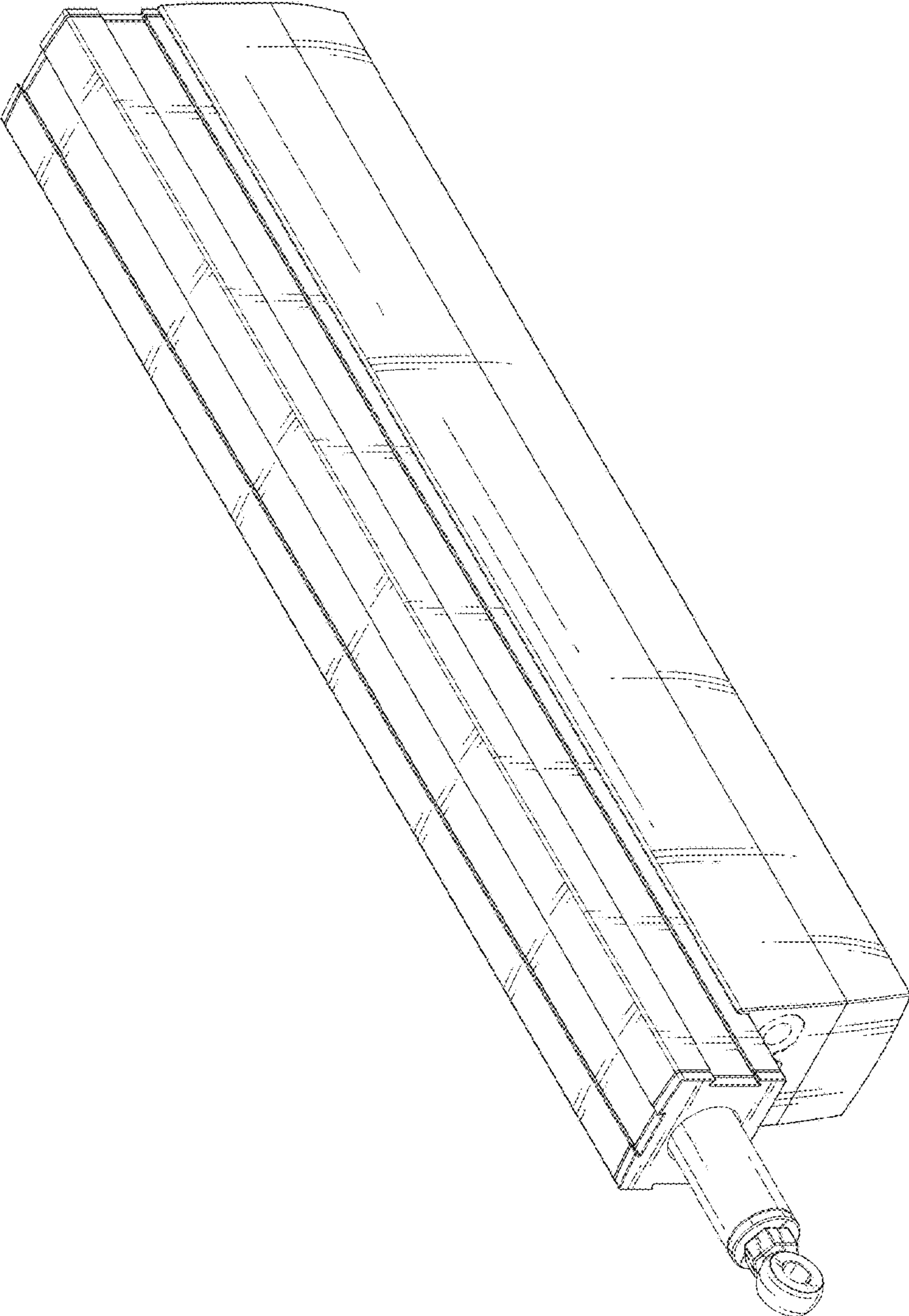


FIG.1

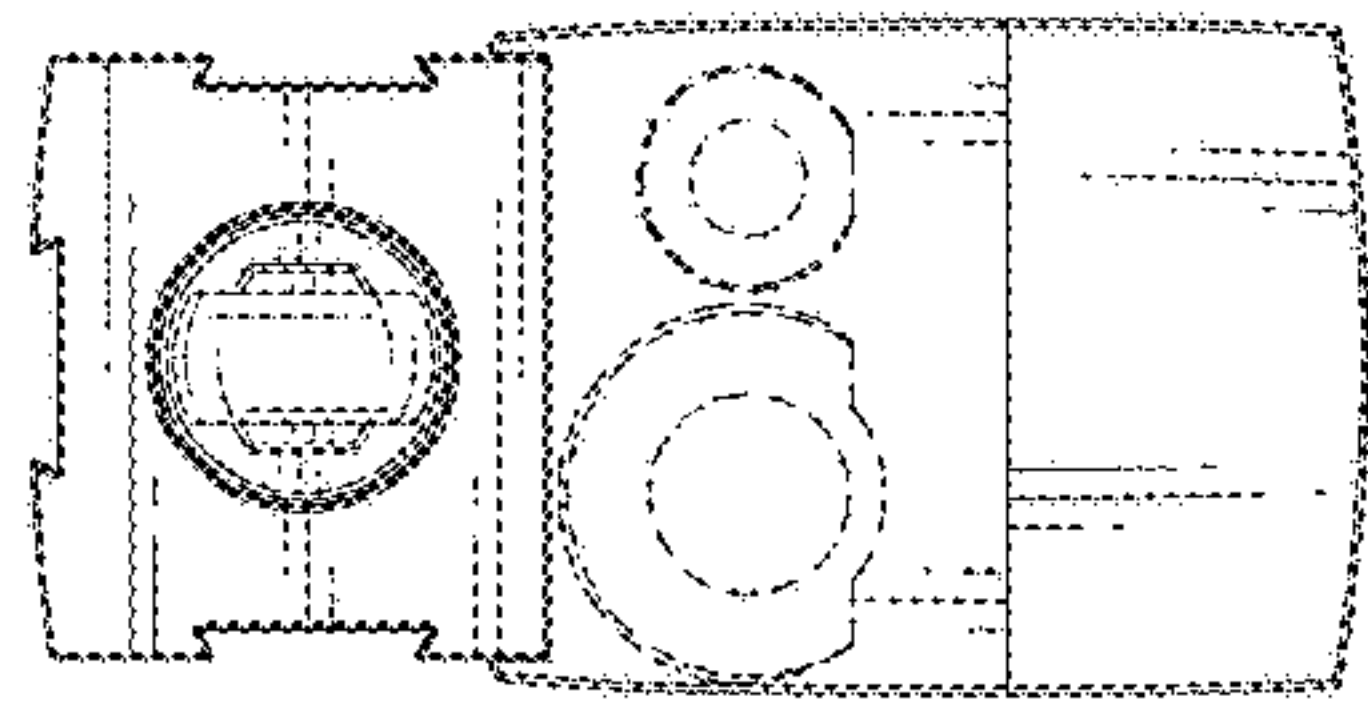


FIG. 2

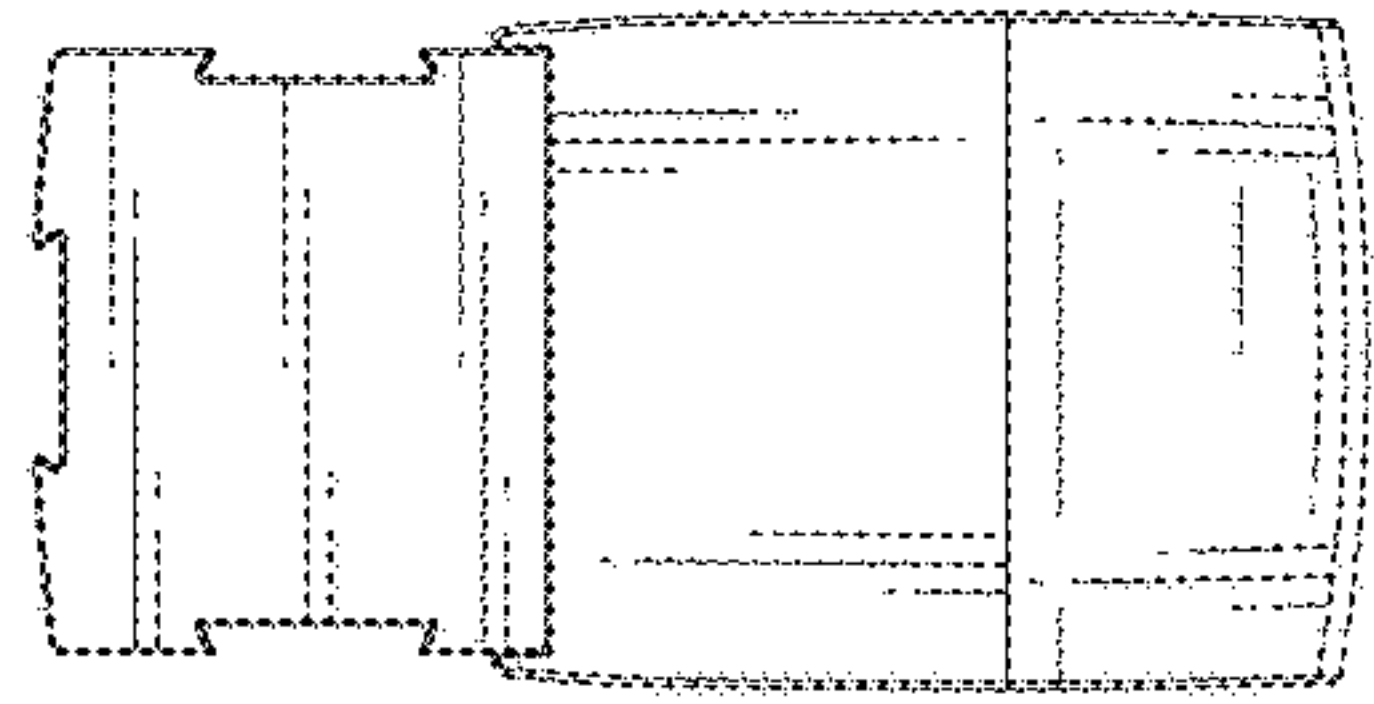


FIG. 3

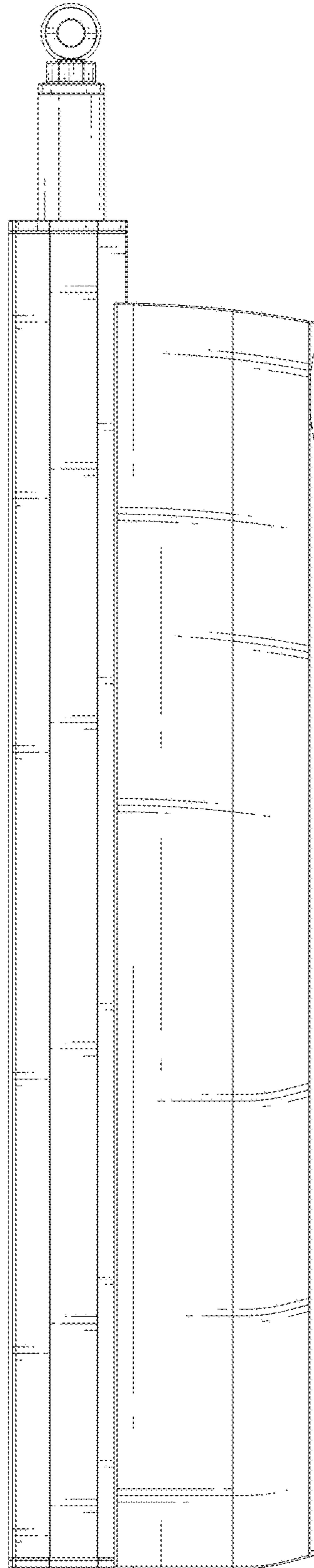


FIG.4

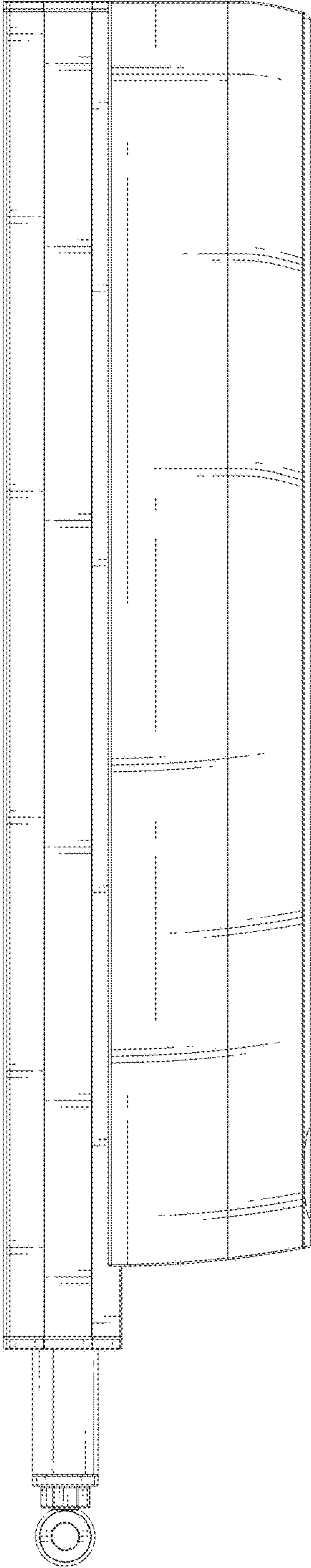


FIG.5

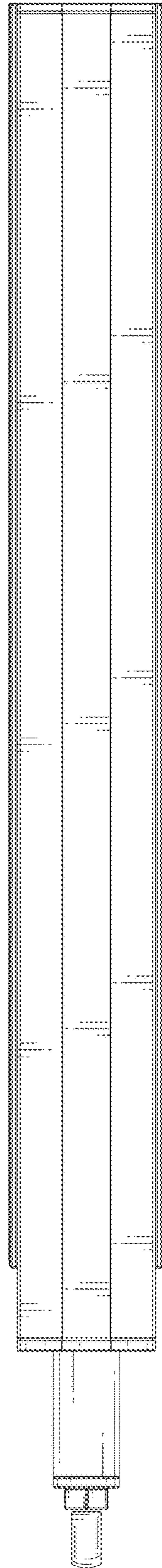


FIG.6

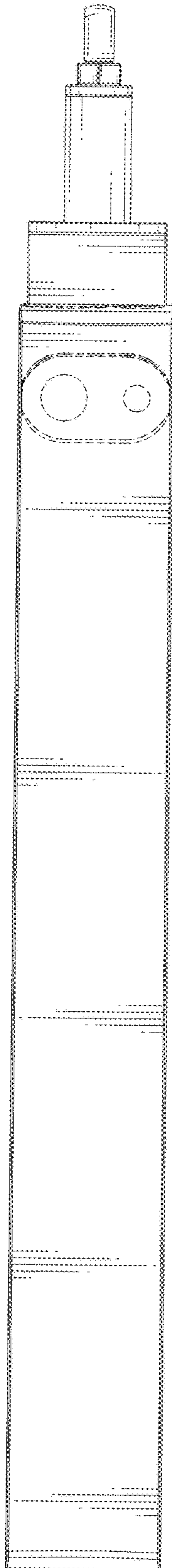


FIG.7

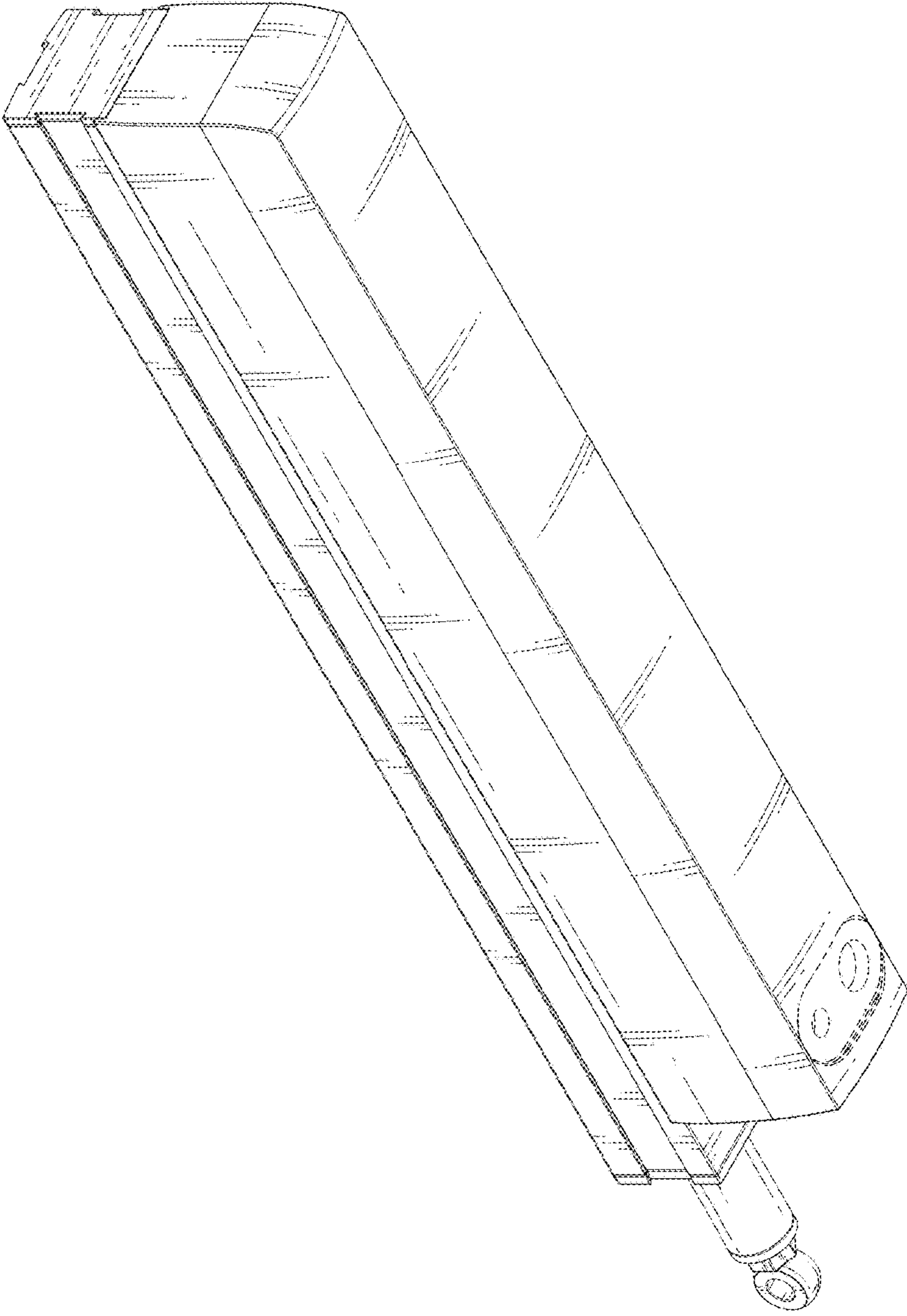


FIG.8

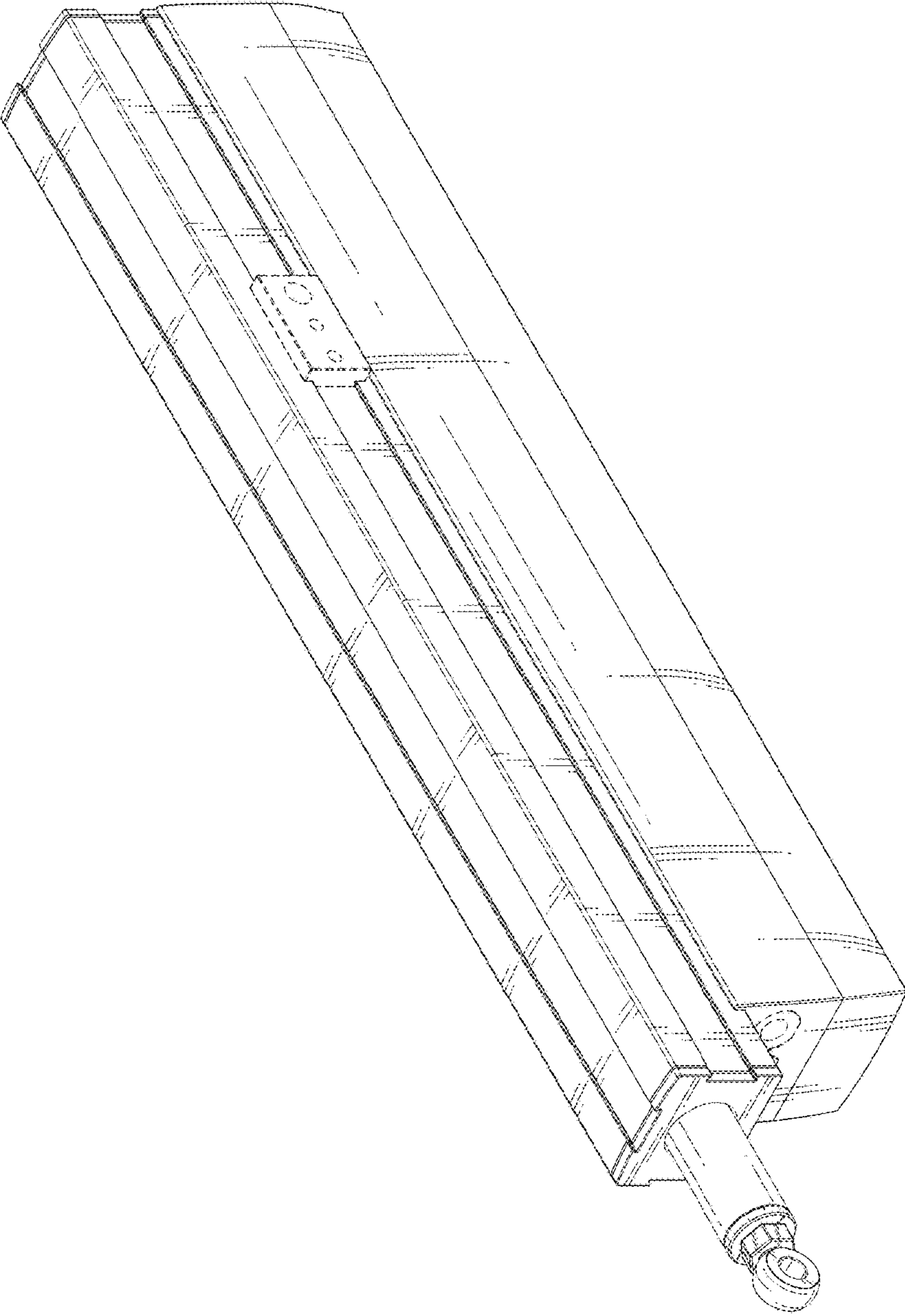


FIG. 9