



US00D853459S

(12) **United States Design Patent** (10) **Patent No.:** **US D853,459 S**
Huotari (45) **Date of Patent:** **** Jul. 9, 2019**

(54) **WELDING MACHINE**

(71) Applicant: **Juho Huotari**, Lahti (FI)

(72) Inventor: **Juho Huotari**, Lahti (FI)

(73) Assignee: **KEMPPI OY**, Lahti (FI)

(**) Term: **15 Years**

(21) Appl. No.: **29/576,987**

(22) Filed: **Sep. 8, 2016**

(51) **LOC (11) Cl.** **15-09**

(52) **U.S. Cl.**
USPC **D15/144**

(58) **Field of Classification Search**
USPC D8/24, 29.1, 30, 316; D13/123, 133;
D14/349; D15/122-126, 134, 142, 143,
D15/144, 144.1, 144.2, 147-149, 199;
D21/532, 721
CPC B23K 9/10
See application file for complete search history.

(56) **References Cited**

U.S. PATENT DOCUMENTS

D518,078 S *	3/2006	Persson	D15/144.1
7,126,084 B2 *	10/2006	DeYoung	B23K 9/32 219/136
D569,883 S *	5/2008	Wang	D15/144
D569,884 S *	5/2008	Shu	D15/144
D626,576 S *	11/2010	Gramatyka	D15/144

D654,519 S *	2/2012	Wujczak	D15/144
D679,738 S *	4/2013	Segala	D15/144
D741,385 S *	10/2015	Evans	D15/144
D744,019 S *	11/2015	Evans	D15/144
D752,665 S *	3/2016	Kindig	D15/144
9,308,605 B2	4/2016	Jokinen et al.	
D765,155 S *	8/2016	Rickenbach	D15/131
D810,161 S *	2/2018	Snead	D15/144
D811,456 S *	2/2018	Dekker	D15/144
D812,119 S *	3/2018	Dekker	D15/144
D815,158 S *	4/2018	Maguire	D15/122

* cited by examiner

Primary Examiner — Garth Rademaker

Assistant Examiner — Fritzgerald L Butac

(74) *Attorney, Agent, or Firm* — Thompson Hine LLP

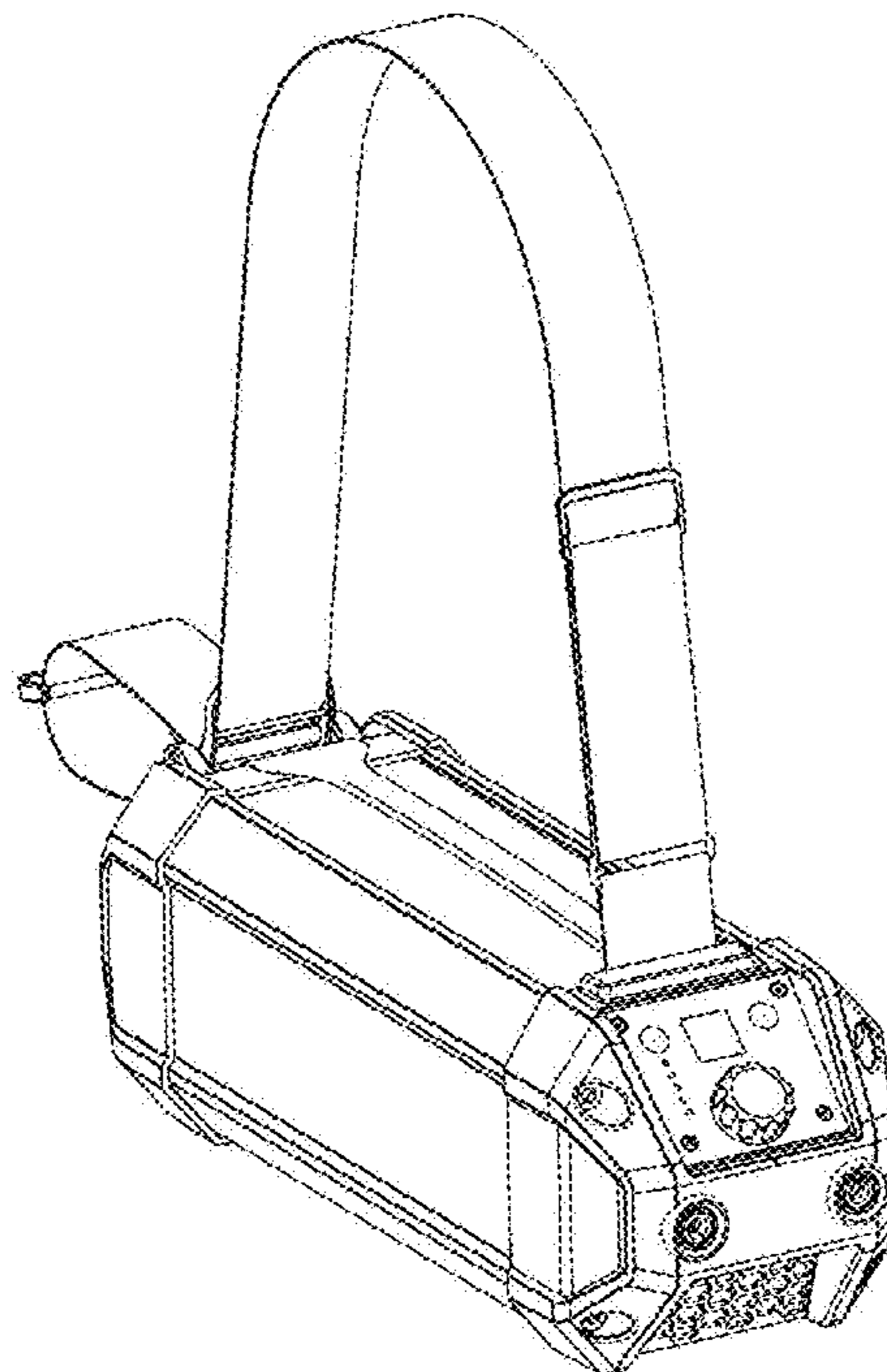
(57) **CLAIM**

The ornamental design for a welding machine, as shown and described.

DESCRIPTION

FIG. 1 is a top view of the design;
 FIG. 2 is a right side view of the design;
 FIG. 3 is a left side view of the design;
 FIG. 4 is a front perspective view of the design;
 FIG. 5 is another front perspective view of the design;
 FIG. 6 is a front side view thereof;
 FIG. 7 is a bottom view of the design; and,
 FIG. 8 is a back view of the design.
 The broken lines show portions of a welding machine that form no part of the claimed design.

1 Claim, 8 Drawing Sheets



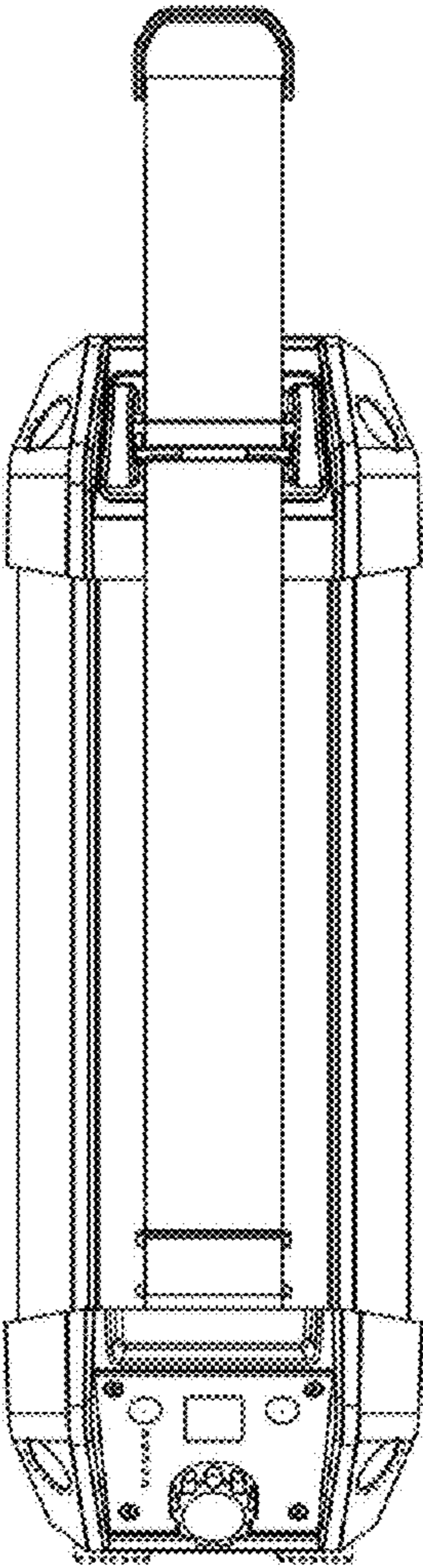


FIG. 1

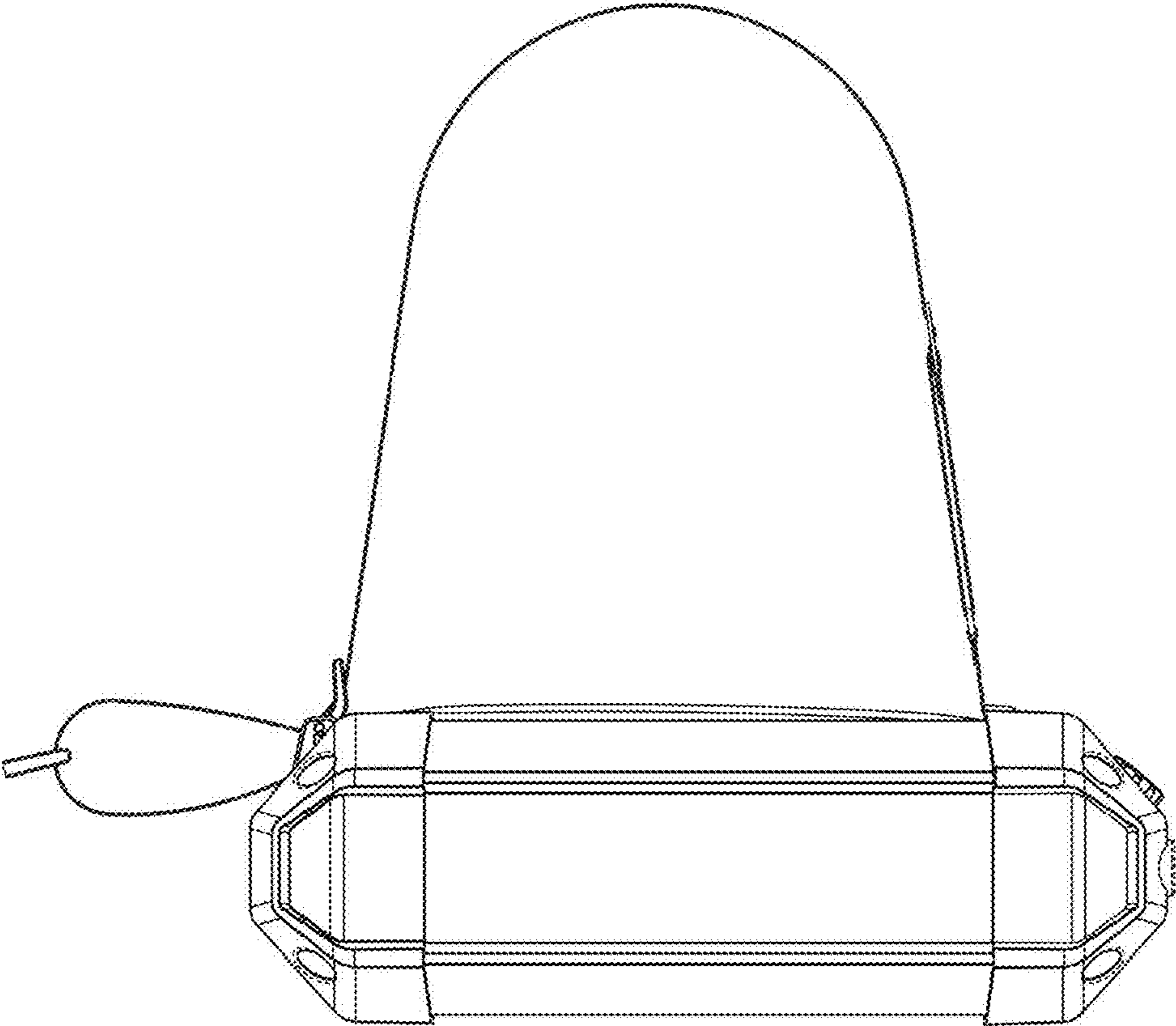


FIG. 2

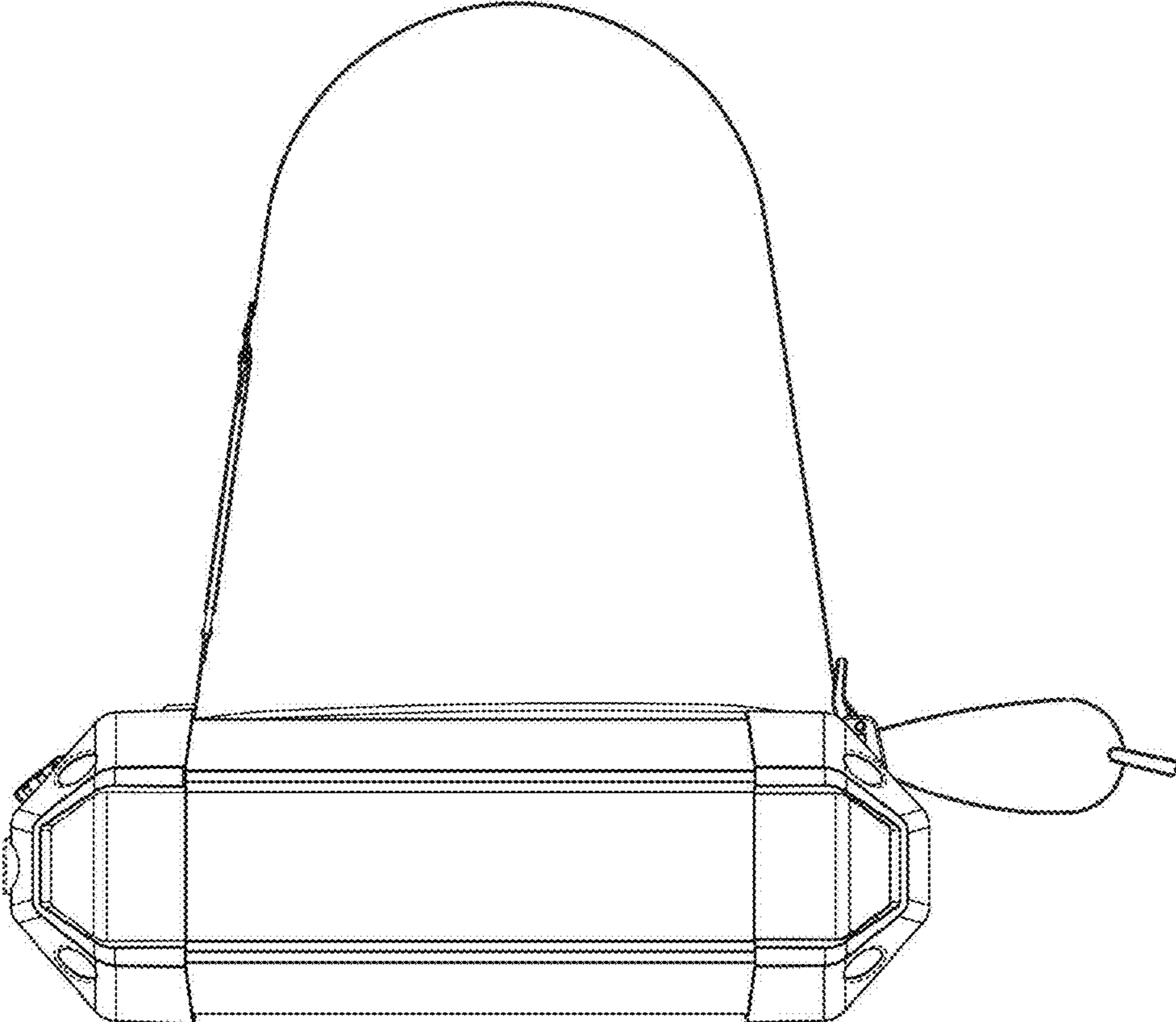


FIG. 3

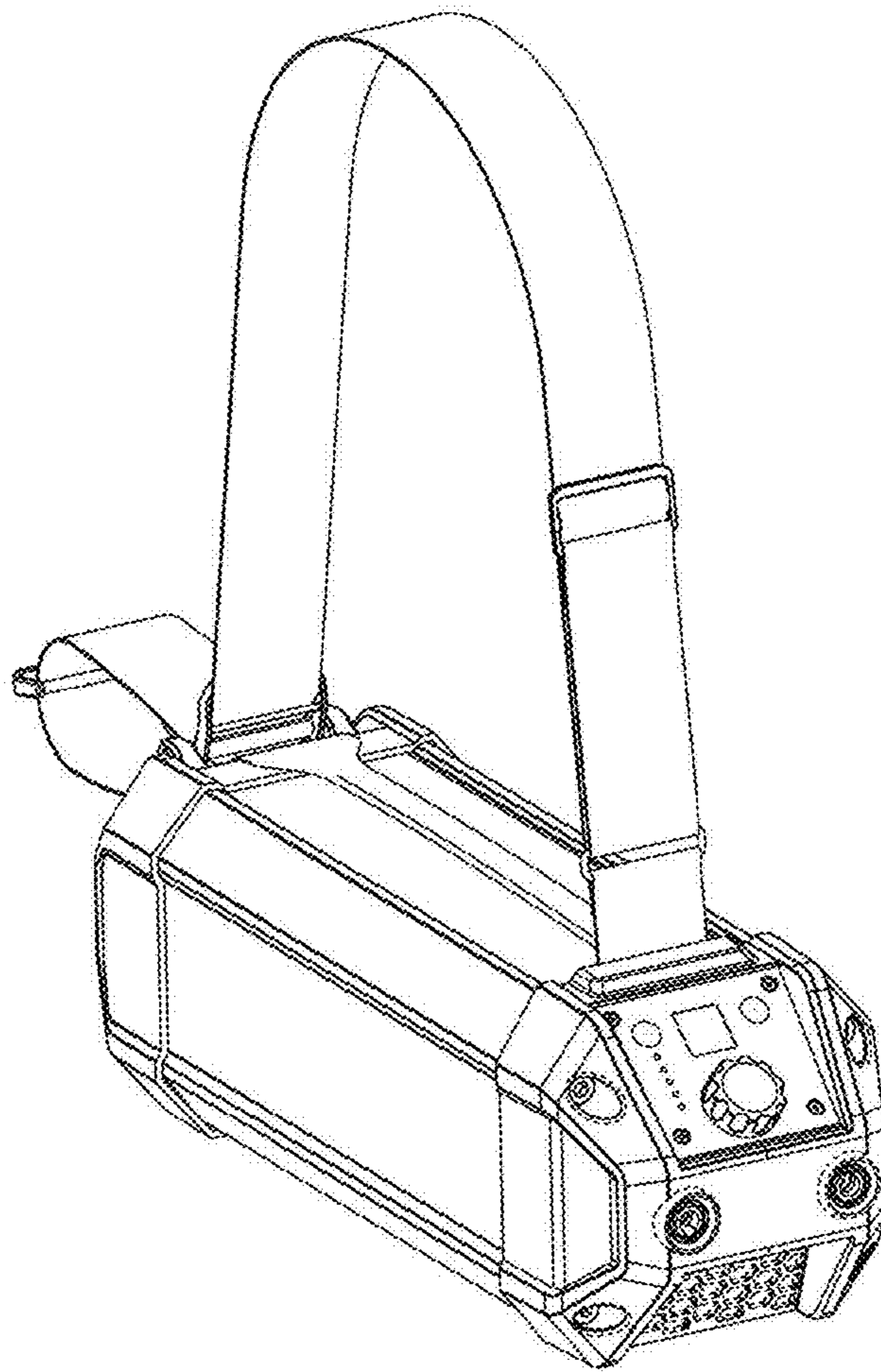


FIG. 4

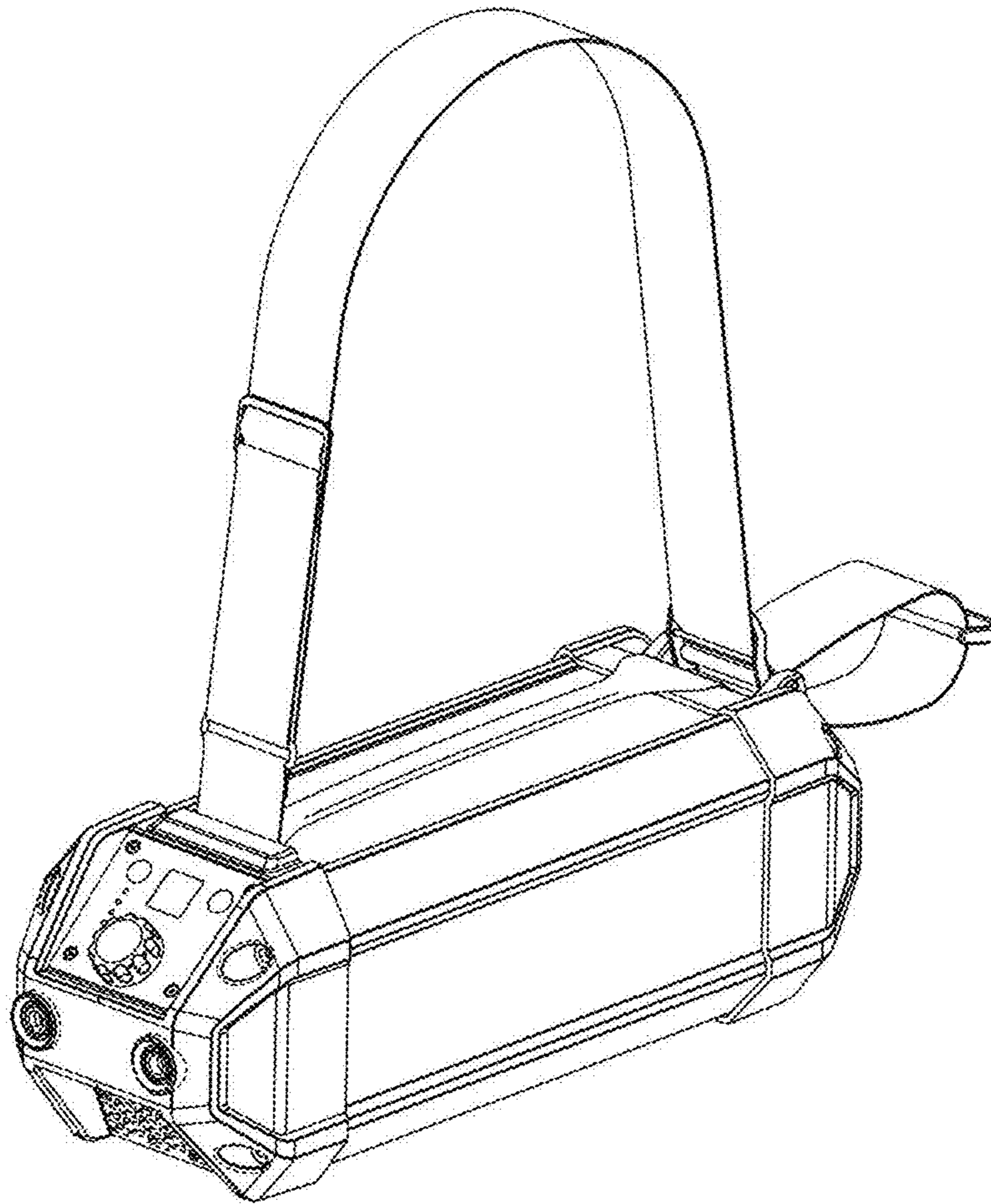


FIG. 5

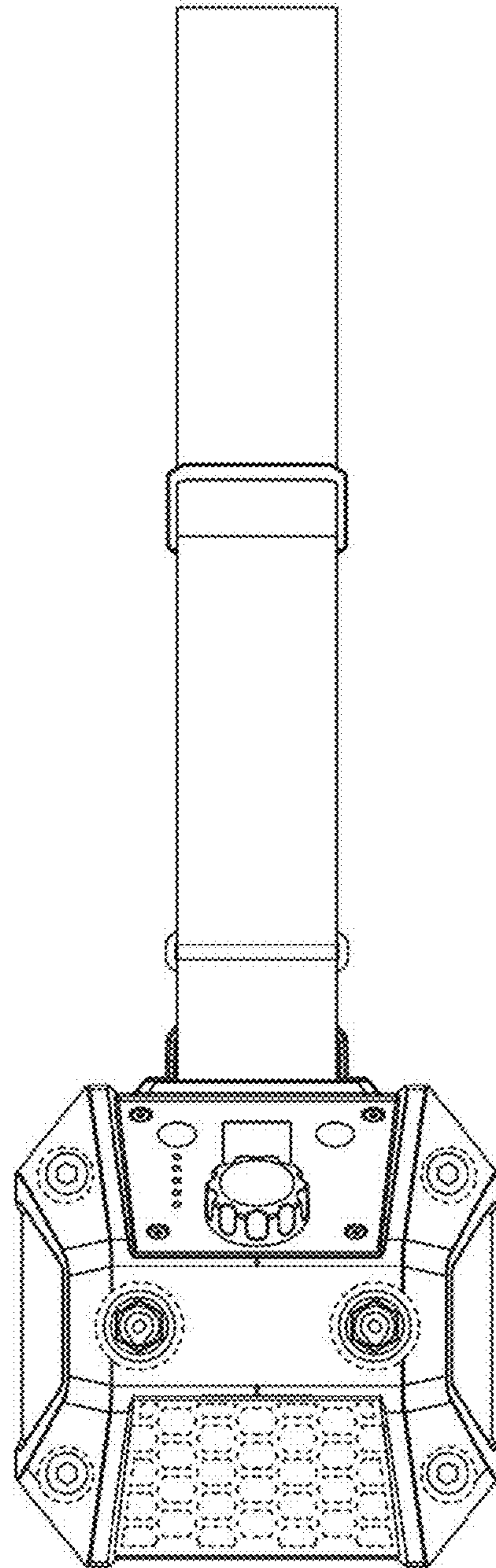


Fig. 6

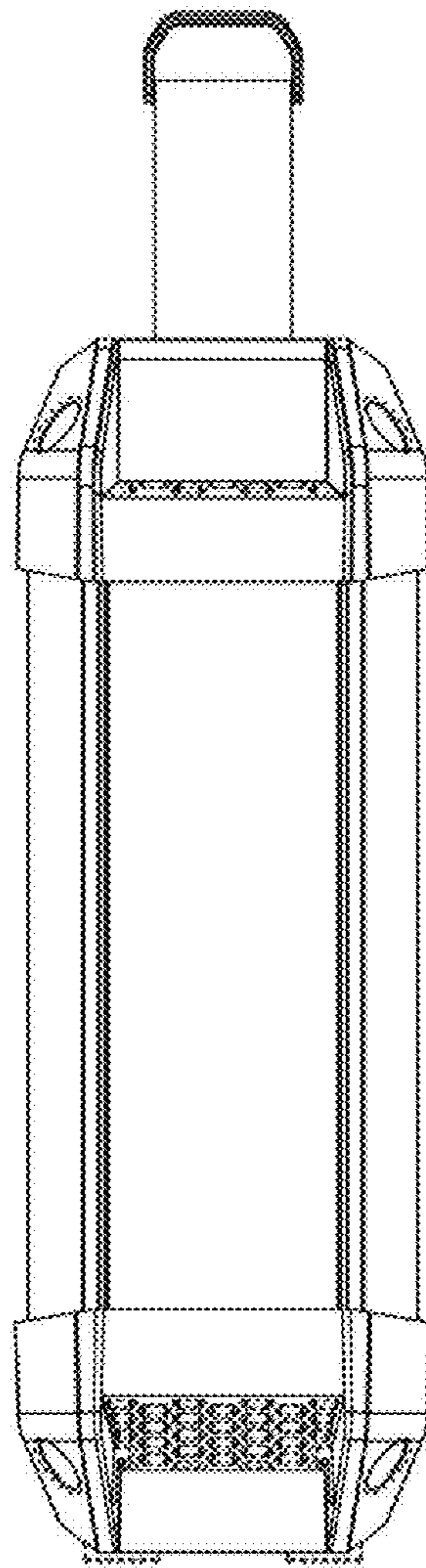


FIG. 7

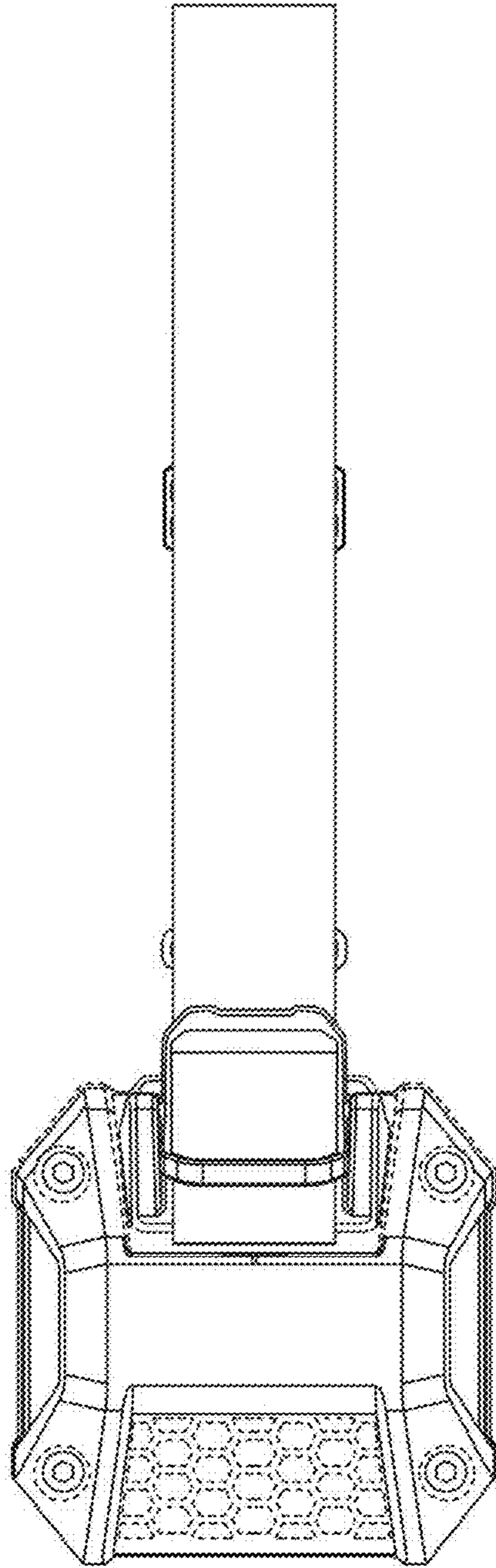


Fig. 8