



US00D853456S

(12) **United States Design Patent**
Aizawa et al.

(10) **Patent No.:** **US D853,456 S**
(45) **Date of Patent:** **** Jul. 9, 2019**

(54) **MACHINING SAMPLE MODEL OF MACHINE TOOLS**
(71) Applicant: **FANUC CORPORATION**, Yamanashi (JP)
(72) Inventors: **Nobuaki Aizawa**, Yamanashi (JP); **Tomokazu Kayanuma**, Yamanashi (JP); **Wei Zhao**, Yamanashi (JP)
(73) Assignee: **FANUC CORPORATION**, Yamanashi (JP)
(**) Term: **15 Years**
(21) Appl. No.: **29/626,382**
(22) Filed: **Nov. 16, 2017**

(30) **Foreign Application Priority Data**
May 19, 2017 (JP) 2017-010745
(51) **LOC (11) Cl.** **15-09**
(52) **U.S. Cl.**
USPC **D15/138**
(58) **Field of Classification Search**
USPC D15/122, 136, 138, 139
CPC ... B24D 3/02; B24D 3/06; B24D 3/20; B24D 3/342
See application file for complete search history.

(56) **References Cited**
U.S. PATENT DOCUMENTS
5,145,295 A * 9/1992 Satran B23C 5/2213 407/113
D340,464 S * 10/1993 Markusson D15/139
5,606,168 A * 2/1997 Chiron G01N 3/04 250/443.1
5,853,667 A * 12/1998 Seaton G01N 21/13 422/65

5,869,006 A * 2/1999 Fanning B01L 3/50 235/375
D472,567 S * 4/2003 Katbi D15/139
6,968,750 B2 * 11/2005 Wilson A24C 5/34 73/863.51
D522,545 S * 6/2006 Niebauer D15/139
7,107,694 B2 * 9/2006 Yang G01Q 60/366 33/18.1
8,168,948 B2 * 5/2012 Botman G01N 1/286 250/306
8,452,222 B2 * 5/2013 Tanaka C08L 91/00 399/161
8,500,926 B2 * 8/2013 Ichitani C22F 1/047 148/440
8,814,967 B2 * 8/2014 Upadhyay B24D 3/342 51/293
D748,703 S * 2/2016 Nam D15/139
D805,566 S * 12/2017 Oh D15/139
10,062,546 B2 * 8/2018 Lee H01J 37/317

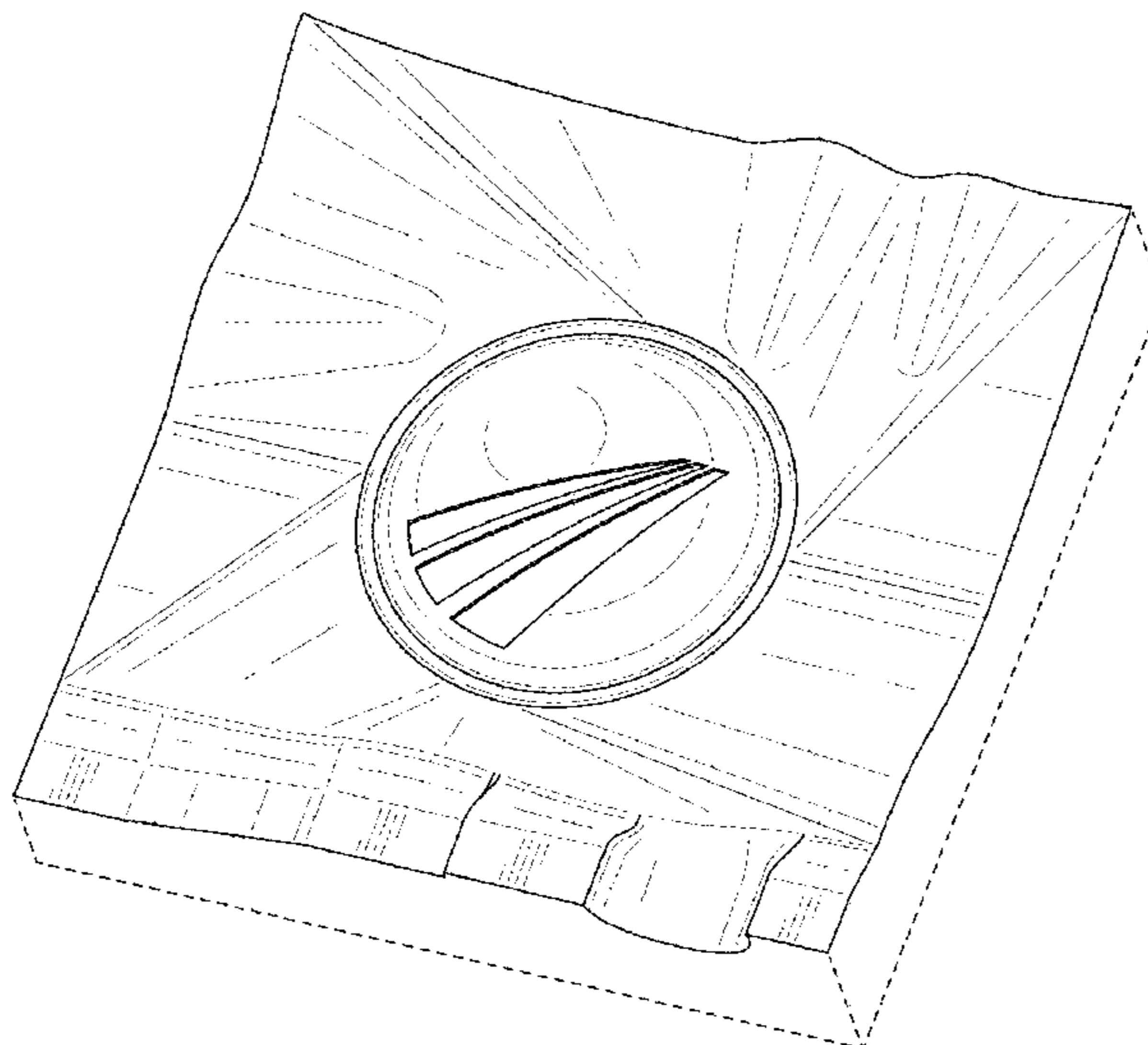
(Continued)

Primary Examiner — Patricia A Palasik
(74) *Attorney, Agent, or Firm* — Banner & Witcoff, Ltd.

(57) **CLAIM**
The ornamental design for a machining sample model of machine tools, as shown and described.

DESCRIPTION
FIG. 1 is a front perspective view of a machining sample model of machine tools showing our new design;
FIG. 2 is a rear perspective view thereof,
FIG. 3 is a top view thereof;
FIG. 4 is a front view thereof;
FIG. 5 is a rear view thereof;
FIG. 6 is a right side view thereof;
FIG. 7 is a left side view thereof; and,
FIG. 8 is a bottom view thereof.
The broken line showing of the remainder of the machining sample model of machine tools forms no part of the claimed design.

1 Claim, 8 Drawing Sheets



(56)

References Cited

U.S. PATENT DOCUMENTS

10,155,313	B2 *	12/2018	Langford	B33Y 10/00
2005/0214080	A1 *	9/2005	Satran	B23C 5/109
				407/113

* cited by examiner

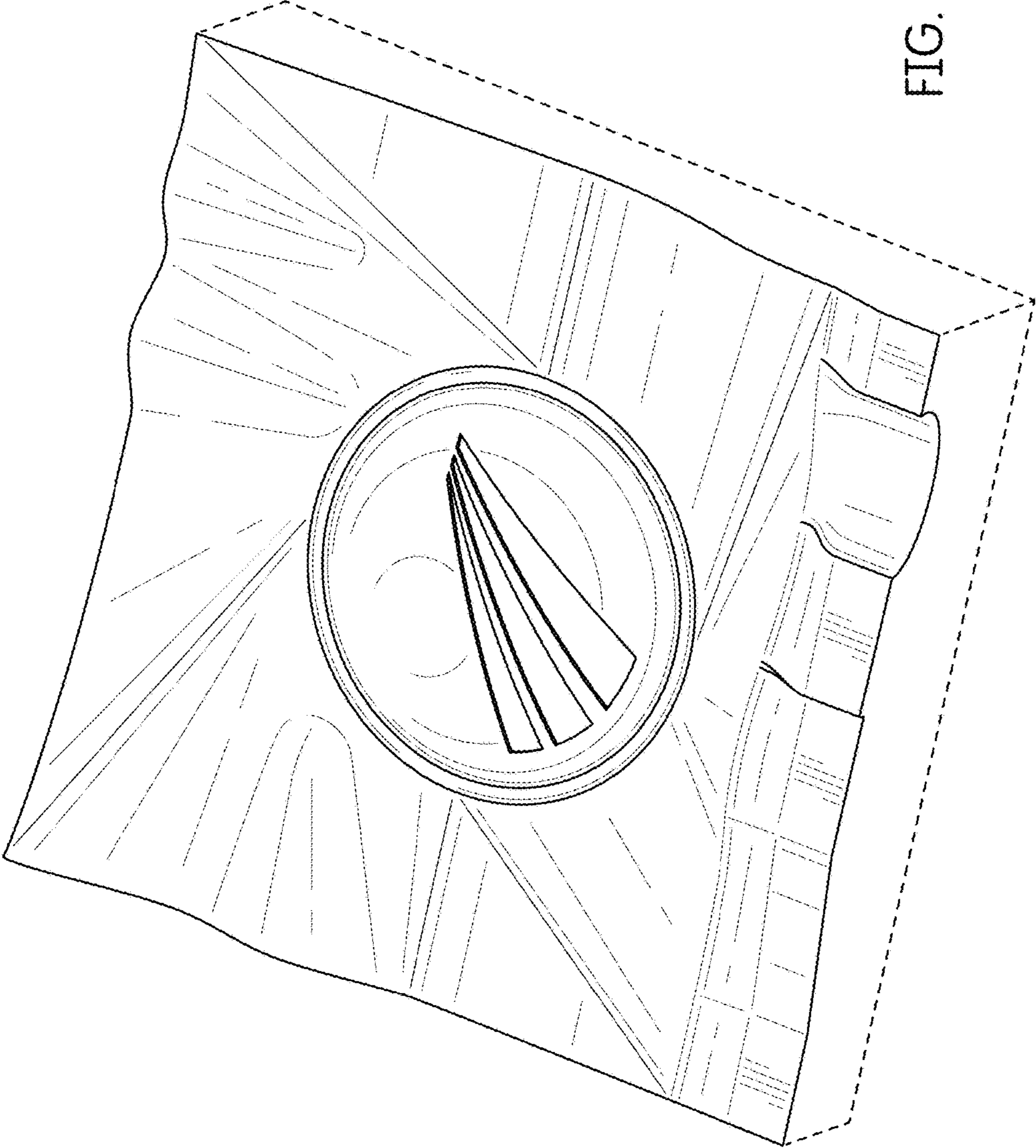


FIG. 1

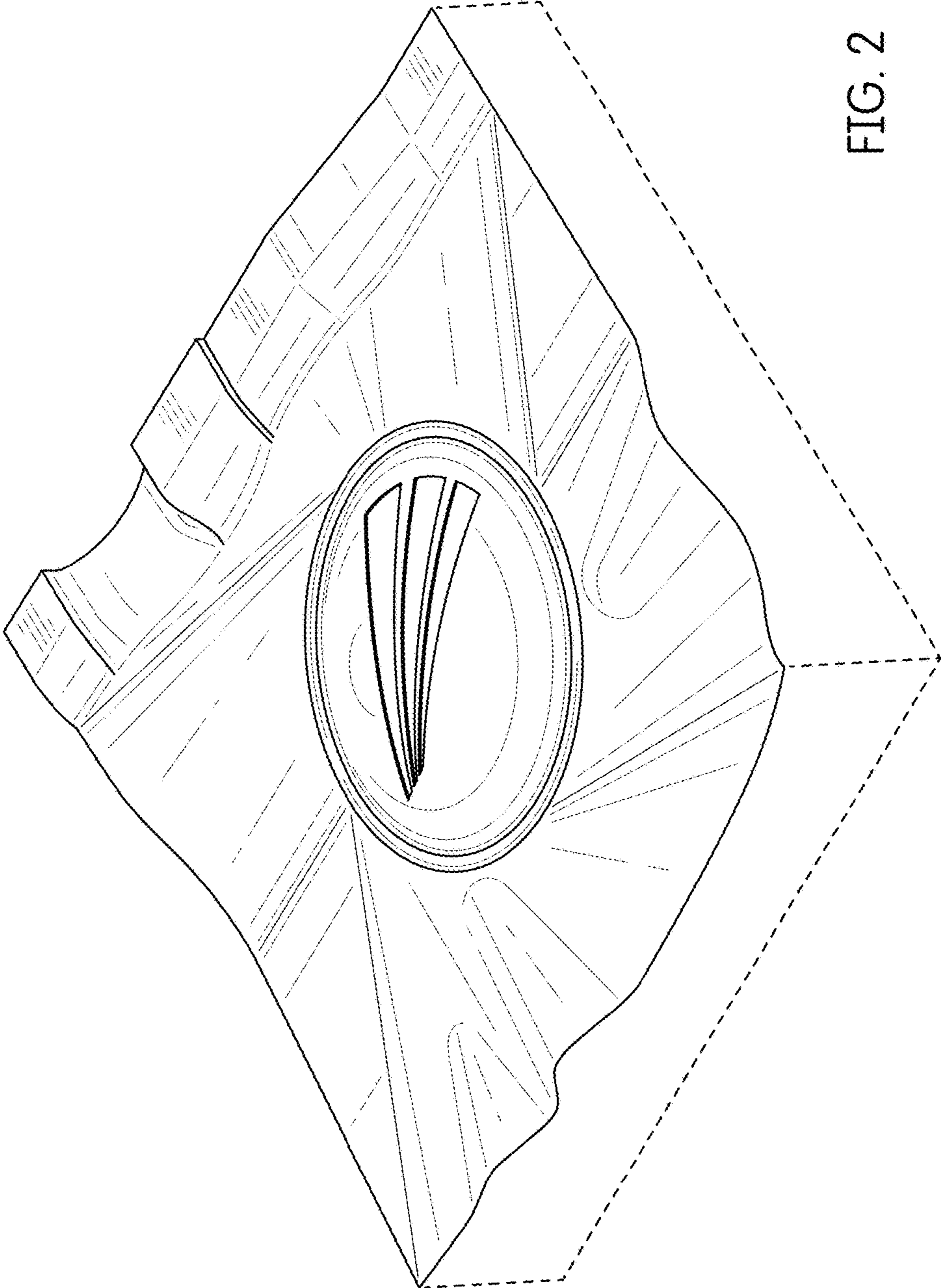


FIG. 2

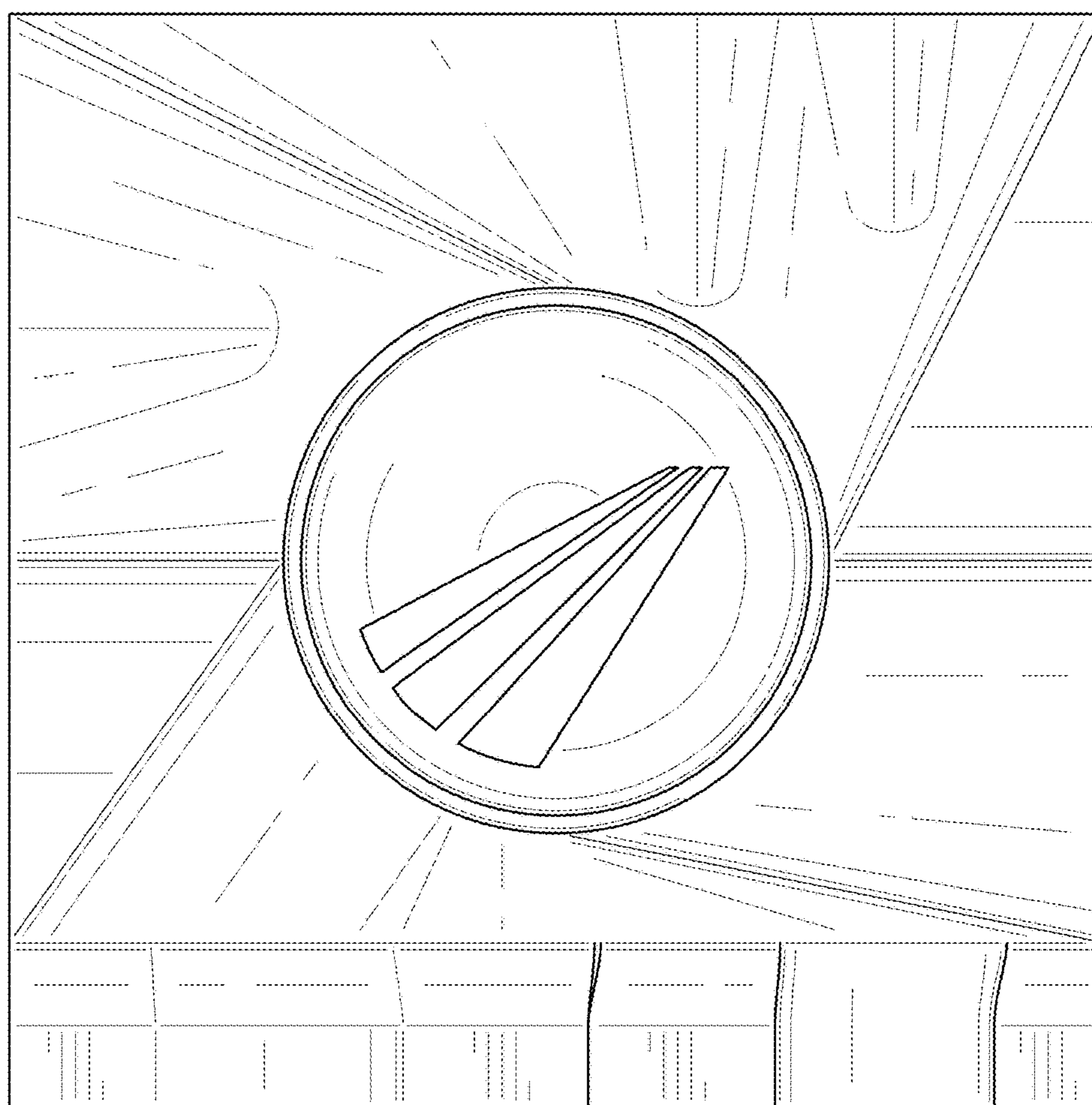


FIG. 3

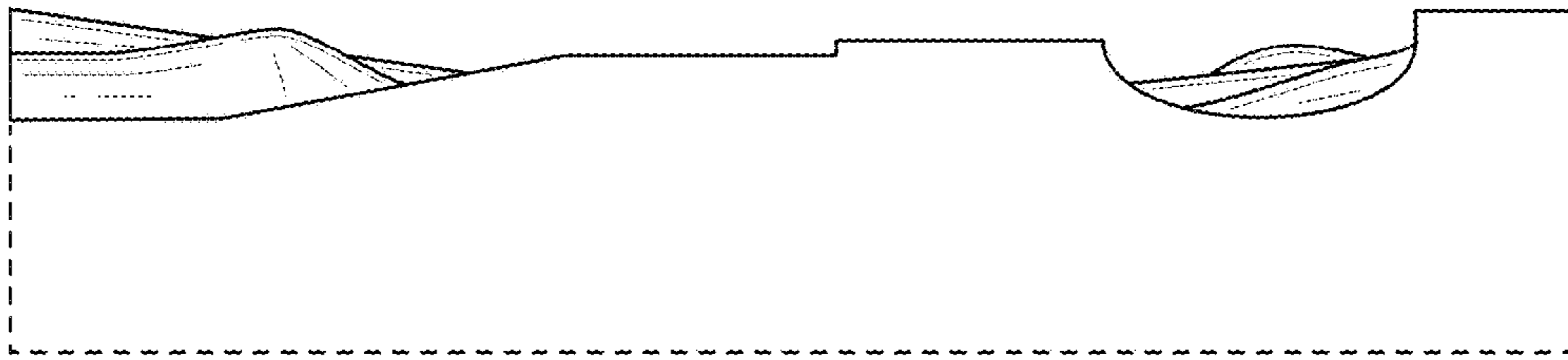


FIG. 4

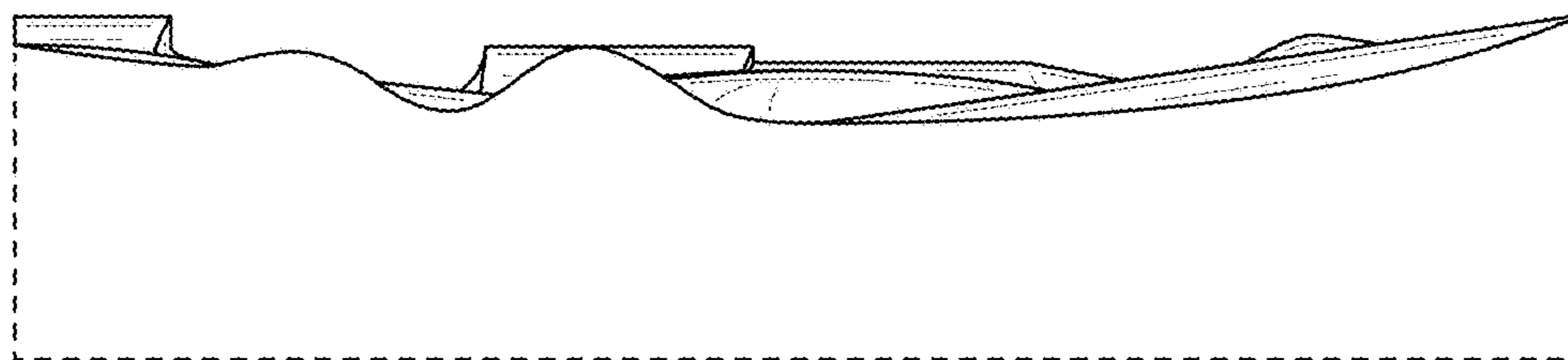


FIG. 5

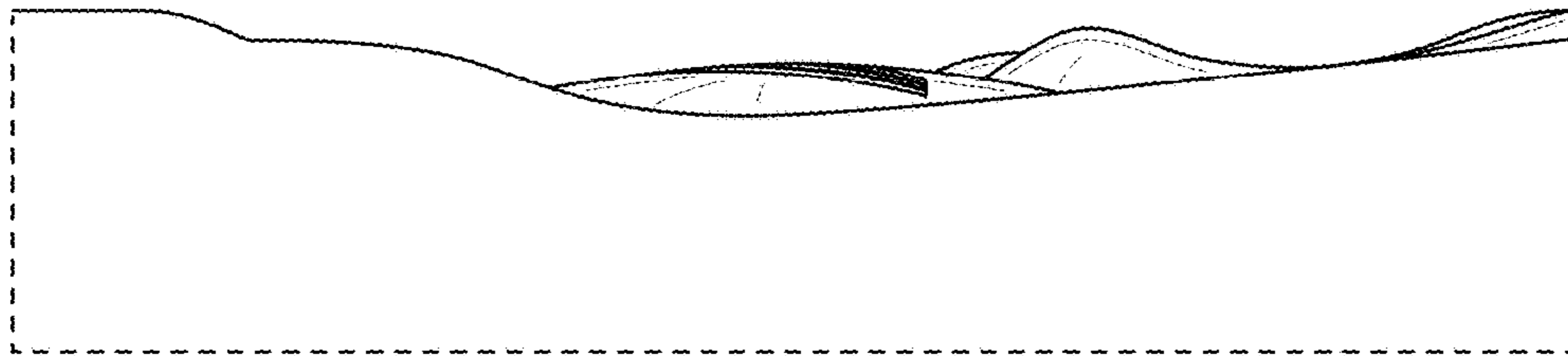


FIG. 6

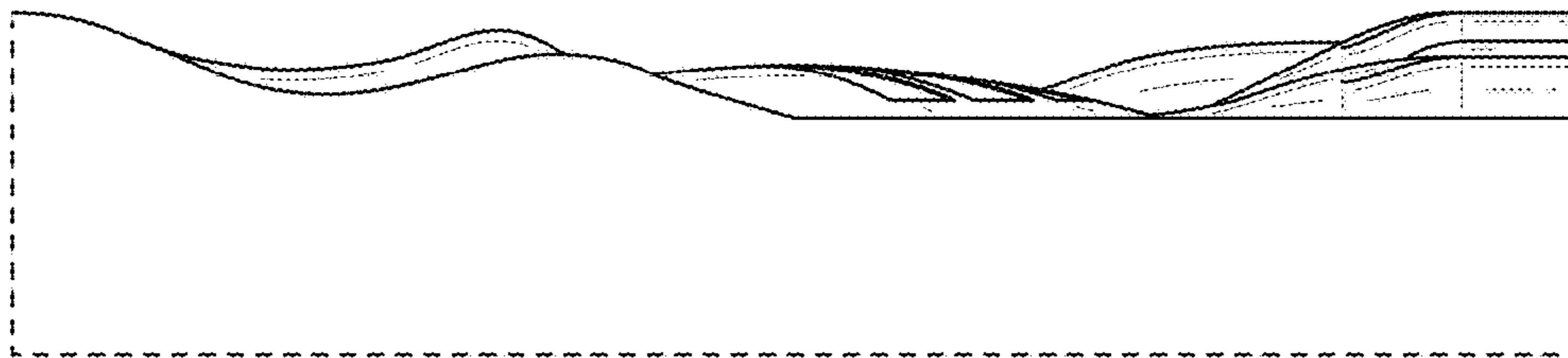


FIG. 7



FIG. 8