



US00D853453S

(12) **United States Design Patent** (10) **Patent No.:** **US D853,453 S**
Suchoza et al. (45) **Date of Patent:** **** Jul. 9, 2019**

- (54) **DUAL BLADE LAWNMOWER**
- (71) Applicant: **Sunrise Global Marketing LLC**,
Mooresville, NC (US)
- (72) Inventors: **Nick Suchoza**, Huntersville, NC (US);
Jianlong Chen, Jiangsu (CN)
- (73) Assignee: **Sunrise Global Marketing LLC**,
Mooresville, NC (US)
- (**) Term: **15 Years**
- (21) Appl. No.: **29/619,134**
- (22) Filed: **Sep. 27, 2017**
- (51) **LOC (11) Cl.** **15-03**
- (52) **U.S. Cl.**
USPC **D15/31**
- (58) **Field of Classification Search**
USPC D15/10, 11, 13-17, 28, 22-26, 30, 31;
D12/173; 56/13.3, 13.4, 15.8, 15.9,
56/320.1; 180/89.1, 89.12, 900, 69.2,
180/68.1, 69.1
CPC B62D 49/00-085; B62D 25/10; B62D
25/00; B60R 19/52; B60R 21/38
See application file for complete search history.

(56) **References Cited**

U.S. PATENT DOCUMENTS

D346,810 S *	5/1994	Schulz	D15/14
D361,771 S *	8/1995	Ledingham	D15/14
5,493,851 A *	2/1996	Katzer	A01D 42/04 56/13.7
D375,963 S *	11/1996	Braun	D15/17
5,676,117 A *	10/1997	Williams	F02B 43/00 123/525
D390,576 S *	2/1998	Shimamura	D15/14
5,910,091 A *	6/1999	Iida	A01D 34/78 56/16.7

D421,265 S *	2/2000	Ohsumi	D15/14
D422,605 S *	4/2000	Danthois	D15/17
D424,070 S *	5/2000	Danthois	D15/14
D426,836 S *	6/2000	Sirois	D15/14
D449,840 S *	10/2001	Concari	D15/14
D450,064 S *	11/2001	Concari	D15/14
D456,030 S *	4/2002	Maeda	D15/14
D460,973 S *	7/2002	Jong	D15/14
D489,734 S *	5/2004	Lin	D15/14
D497,918 S *	11/2004	Osborne	D15/14
D508,923 S *	8/2005	Henssler	D15/14
D508,924 S *	8/2005	Henssler	D15/14
RE39,338 E *	10/2006	Stratford	D15/14
D544,501 S *	6/2007	Chung Lee	D15/14
D581,951 S *	12/2008	Bochmann	D15/14
D610,167 S *	2/2010	Martin	D15/14
D620,029 S *	7/2010	Baetica	D15/14
D620,030 S *	7/2010	Baetica	D15/14
D622,291 S *	8/2010	Martin	D15/14
D627,371 S *	11/2010	Baetica	D15/14

(Continued)

Primary Examiner — Mark A Goodwin

(74) *Attorney, Agent, or Firm* — Dorton & Willis, LLP

(57) **CLAIM**

The ornamental design for a dual blade lawnmower therefor, as shown and described.

DESCRIPTION

FIG. 1 is a front perspective view of a dual blade lawnmower showing our new design.
 FIG. 2 is a front view thereof.
 FIG. 3 is a rear view thereof.
 FIG. 4 is a left side view thereof.
 FIG. 5 is a right side view thereof.
 FIG. 6 is a top view thereof; and,
 FIG. 7 is a bottom view of the dual blade lawnmower. The portion inside the broken lines is shown in de-emphasized and half-tone form so as to illustrate environmental structures and forms no part of the claimed invention.

1 Claim, 7 Drawing Sheets



(56)

References Cited

U.S. PATENT DOCUMENTS

D627,372	S	*	11/2010	Baetica	D15/14
D628,598	S	*	12/2010	Neeley	D15/14
D646,698	S	*	10/2011	Park	D15/14
D648,354	S	*	11/2011	Hattori	D15/14
D649,166	S	*	11/2011	Thackery	D15/17
D652,846	S	*	1/2012	Stratford	D15/14
D653,265	S	*	1/2012	Stratford	D15/14
D665,823	S	*	8/2012	Hannig	D15/14
D723,068	S	*	2/2015	Qiu	D15/14
D725,155	S	*	3/2015	McKay	D15/14
D726,227	S	*	4/2015	Aglassinger	D15/14
D781,348	S	*	3/2017	Pellenc	D15/14
D784,420	S	*	4/2017	Zhang	D15/14
D785,048	S	*	4/2017	Zhang	D15/14

* cited by examiner



FIG. 1



FIG. 2



FIG. 3



FIG. 4



FIG. 5

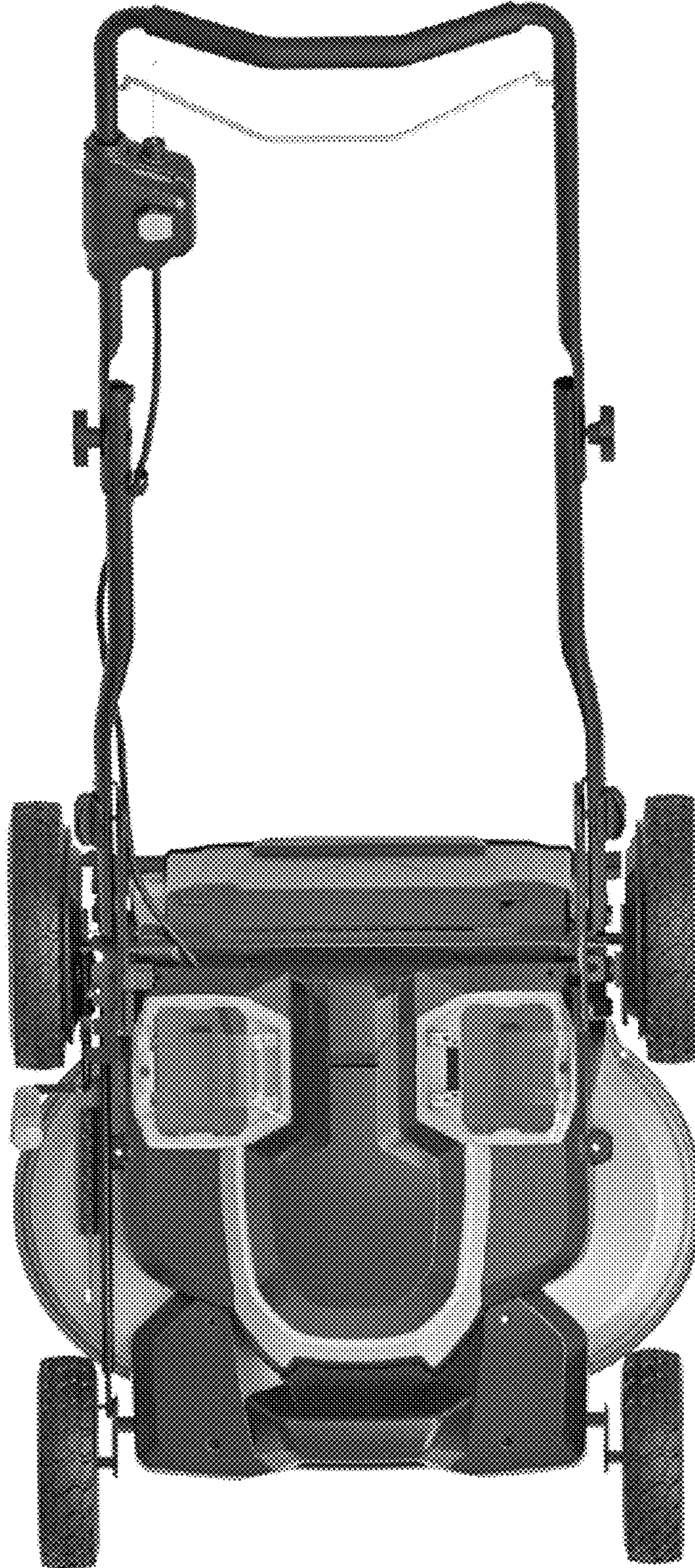


FIG. 6

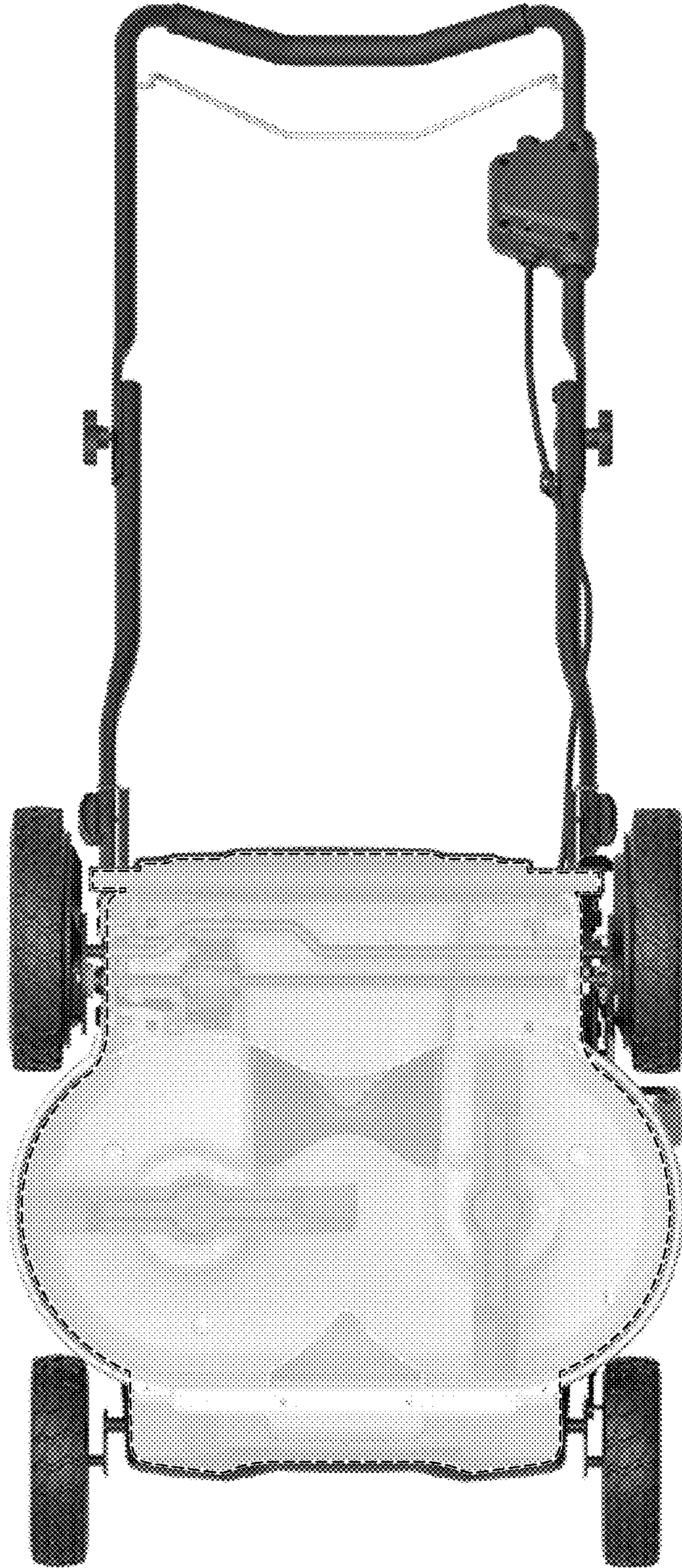


FIG. 7