



US00D853452S

(12) **United States Design Patent** (10) **Patent No.:** **US D853,452 S**
Jilbert et al. (45) **Date of Patent:** **** Jul. 9, 2019**

(54) **EXCAVATOR UNDERCARRIAGE**
(71) Applicant: **J.C. BAMFORD EXCAVATORS LIMITED**, Uttoxeter (GB)
(72) Inventors: **Samuel John Jilbert**, Uttoxeter (GB); **Thomas Edward Underhill**, Rocester (GB); **Samuel Payne**, Uttoxeter (GB)
(73) Assignee: **J.C. BAMFORD EXCAVATORS LIMITED**, Uttoxeter (GB)
(**) Term: **15 Years**
(21) Appl. No.: **29/613,343**
(22) Filed: **Aug. 9, 2017**

Related U.S. Application Data

(63) Continuation-in-part of application No. 29/541,934, filed on Oct. 9, 2015, now abandoned, which is a (Continued)

(30) **Foreign Application Priority Data**

Apr. 10, 2015 (EM) 001433304
(51) **LOC (11) Cl.** **15-03**
(52) **U.S. Cl.**
USPC **D15/25**
(58) **Field of Classification Search**
USPC D15/10, 11, 12, 23, 25, 28, 30, 32, 33, D15/199
CPC E02F 9/2004; E02F 9/207; E02F 9/2091; E02F 9/2246; E02F 9/2292; E02F 3/32; E02F 3/325; E02F 3/352; E02F 3/384; E02F 3/425; E02F 3/437; E02F 3/627; E02F 3/964; E02F 9/006; E02F 9/0808; E02F 9/0833; E02F 9/0858; E02F 9/0875; E02F 9/2045
See application file for complete search history.

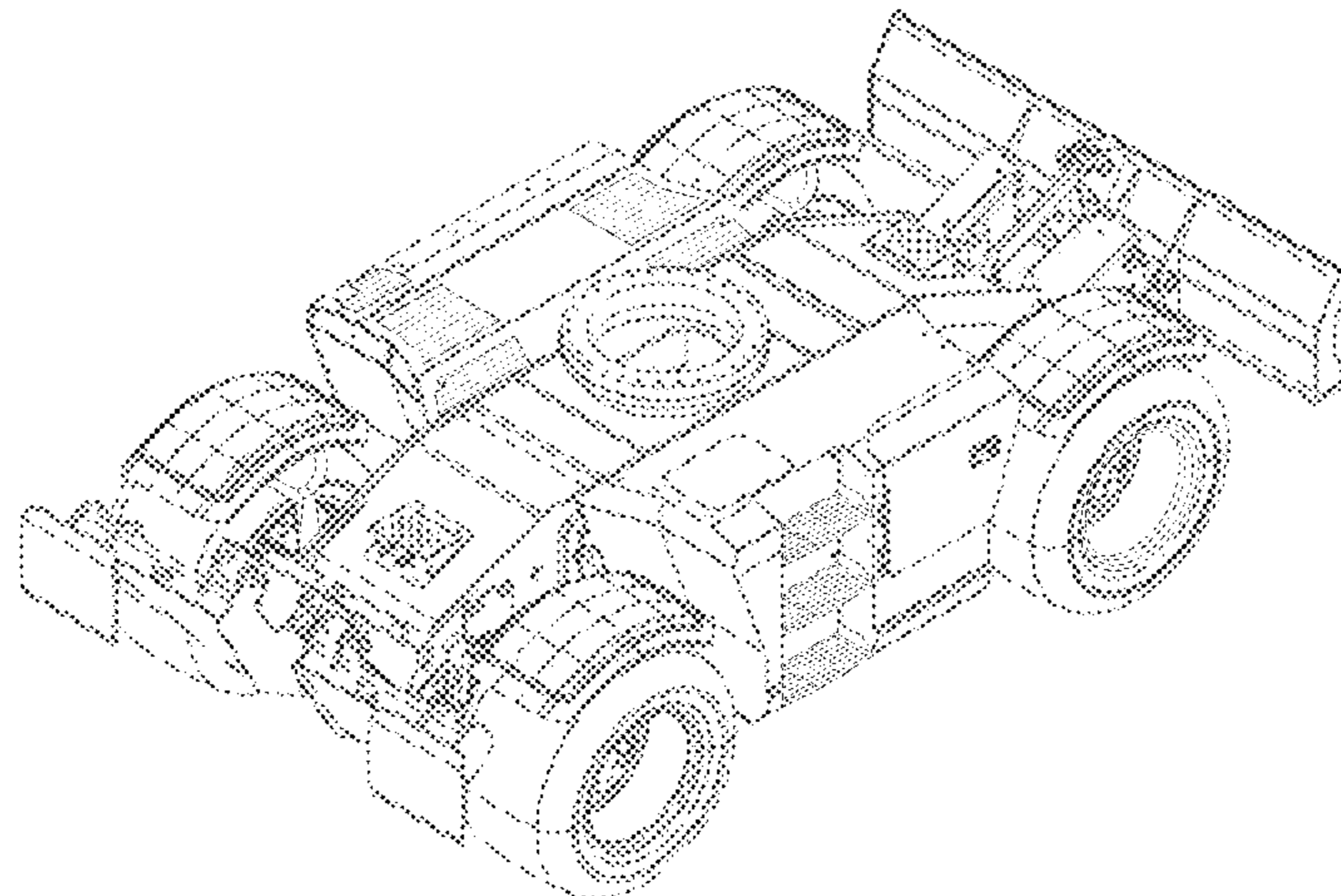
(56) **References Cited**
U.S. PATENT DOCUMENTS
D431,575 S * 10/2000 Park D15/25
D529,932 S * 10/2006 Yamashita D15/25
(Continued)
Primary Examiner — Khawaja Anwar
(74) *Attorney, Agent, or Firm* — Marshall, Gerstein & Borun LLP

(57) **CLAIM**
The ornamental design for an excavator undercarriage, as shown and described.

DESCRIPTION

FIG. 1 is a front, right-side, and top view of an excavator undercarriage showing the new design.
FIG. 2 is a front, left-side, and top view of the excavator undercarriage.
FIG. 3 is a rear, left-side, and top view.
FIG. 4 is a rear, right-side, and top view.
FIG. 5 is a front elevation view.
FIG. 6 is a rear elevation view.
FIG. 7 is a right-side elevation view.
FIG. 8 is a left-side elevation view.
FIG. 9 is a top plan view.
FIG. 10 is a front, right-side, and top view showing the excavator undercarriage as part of a complete excavator.
FIG. 11 is a front, left-side, and top view of the excavator undercarriage as part of a complete excavator.
FIG. 12 is a rear, left-side, and top view.
FIG. 13 is a rear, right-side, and top view.
FIG. 14 is a front elevation view.
FIG. 15 is a rear elevation view.
FIG. 16 is a right-side elevation view.
FIG. 17 is a left-side elevation view; and,
FIG. 18 is a top plan view.
The broken lines in FIGS. 10-18 represent environmental structure, and form no part of the claimed design.

1 Claim, 13 Drawing Sheets



Related U.S. Application Data

continuation-in-part of application No. 29/541,928, filed on Oct. 9, 2015, now abandoned, which is a continuation-in-part of application No. 29/541,920, filed on Oct. 9, 2015, now abandoned, which is a continuation-in-part of application No. 29/541,917, filed on Oct. 9, 2015, now abandoned, which is a continuation-in-part of application No. 29/541,930, filed on Oct. 9, 2015, now abandoned, which is a continuation-in-part of application No. 29/541,926, filed on Oct. 9, 2015, now Pat. No. Des. 835,160, which is a continuation-in-part of application No. 29/541,919, filed on Oct. 9, 2015, now abandoned, which is a continuation-in-part of application No. 29/541,915, filed on Oct. 9, 2015, now abandoned.

(56)

References Cited

U.S. PATENT DOCUMENTS

D540,352 S *	4/2007	Sato	D15/25
D540,828 S *	4/2007	Johnson	D15/25
D540,829 S *	4/2007	Johnson	D15/25
D549,738 S *	8/2007	Hiraoka	D15/25
D590,846 S *	4/2009	Kinsinger	D15/22
D628,599 S *	12/2010	Major	D15/23
D629,017 S *	12/2010	Major	D15/23
D682,890 S *	5/2013	Iwata	D15/25
D693,853 S *	11/2013	Hiraoka	D15/23
D705,273 S *	5/2014	Furuki	D15/25
D758,457 S *	6/2016	Okuyama	D15/23

* cited by examiner

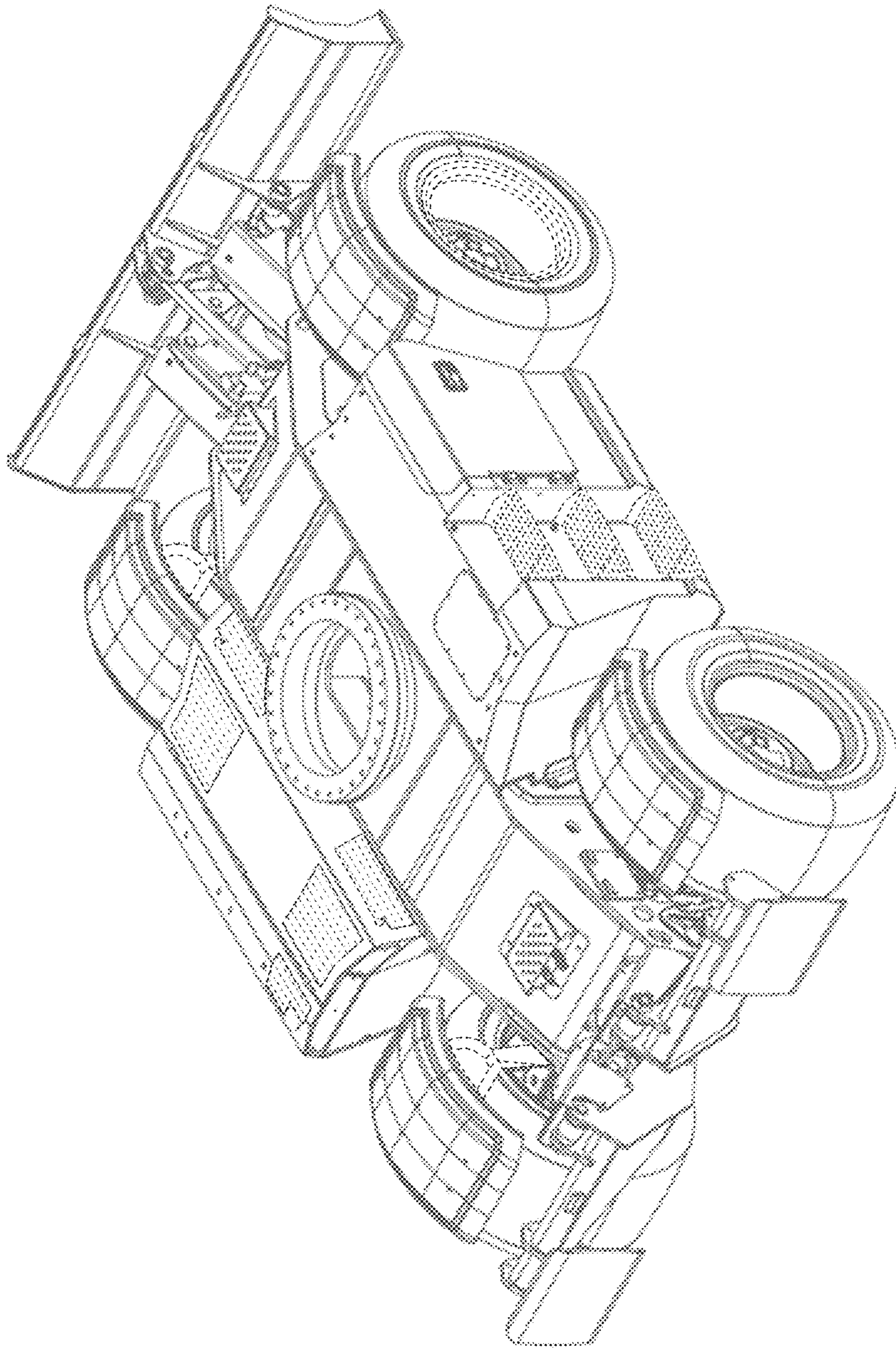


Fig. 1

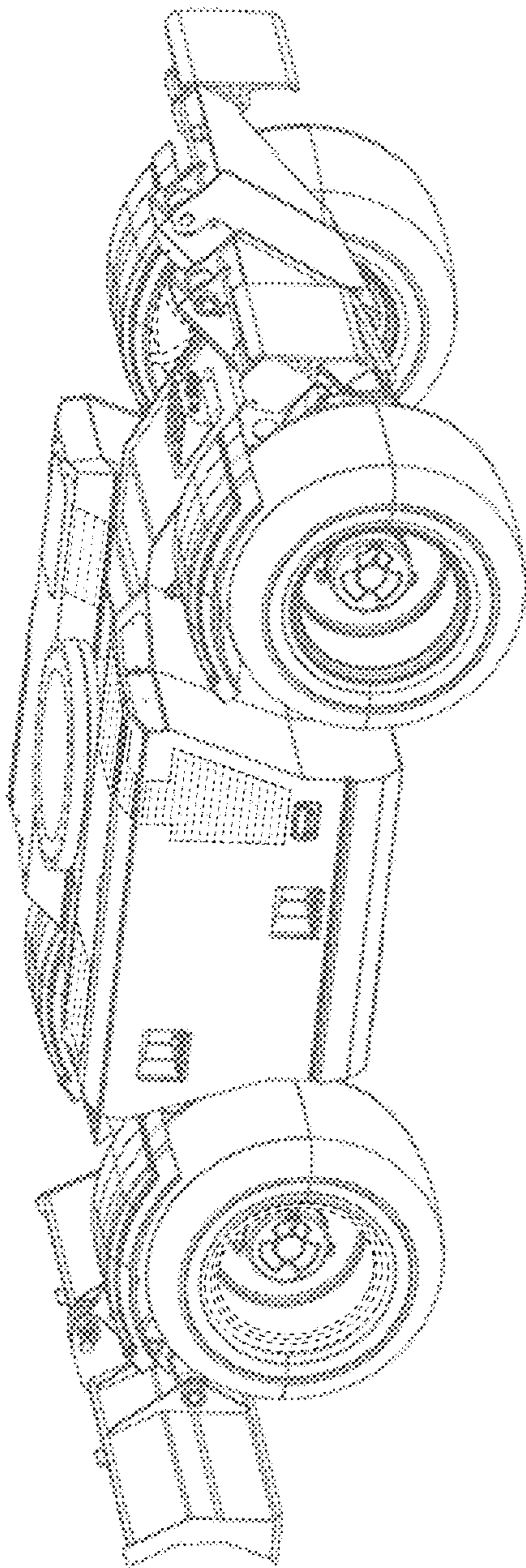


Fig. 2

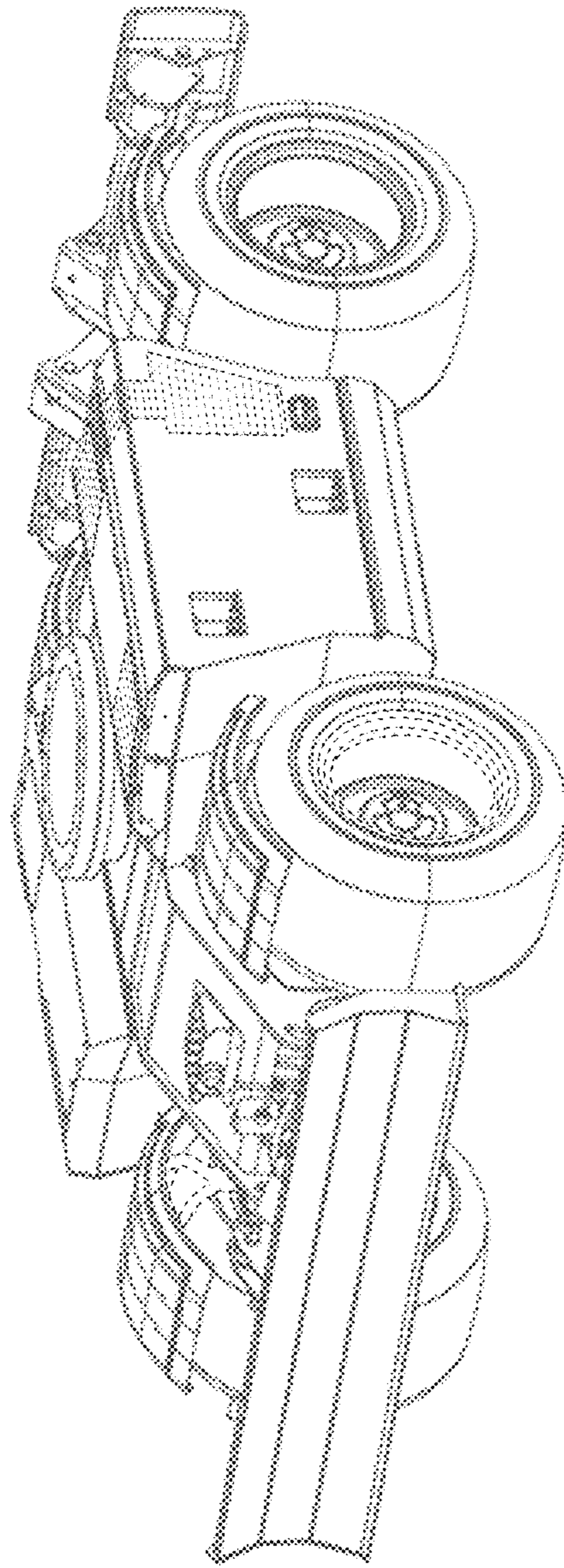


Fig. 3

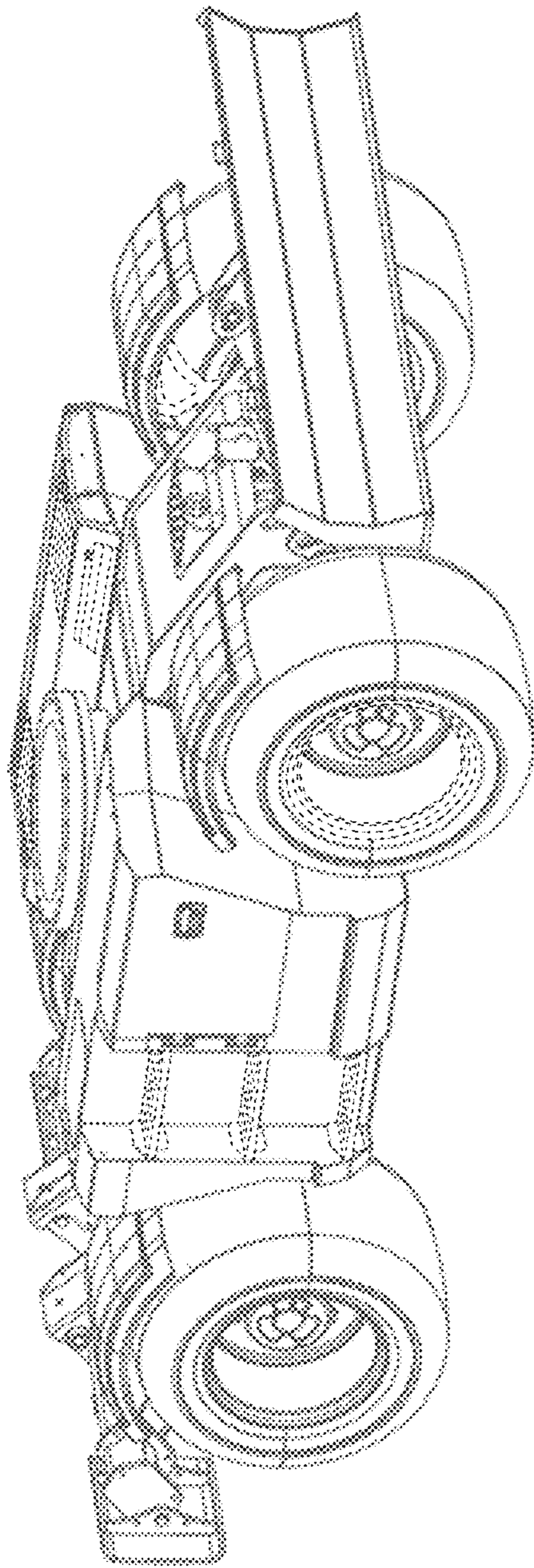


Fig. 4

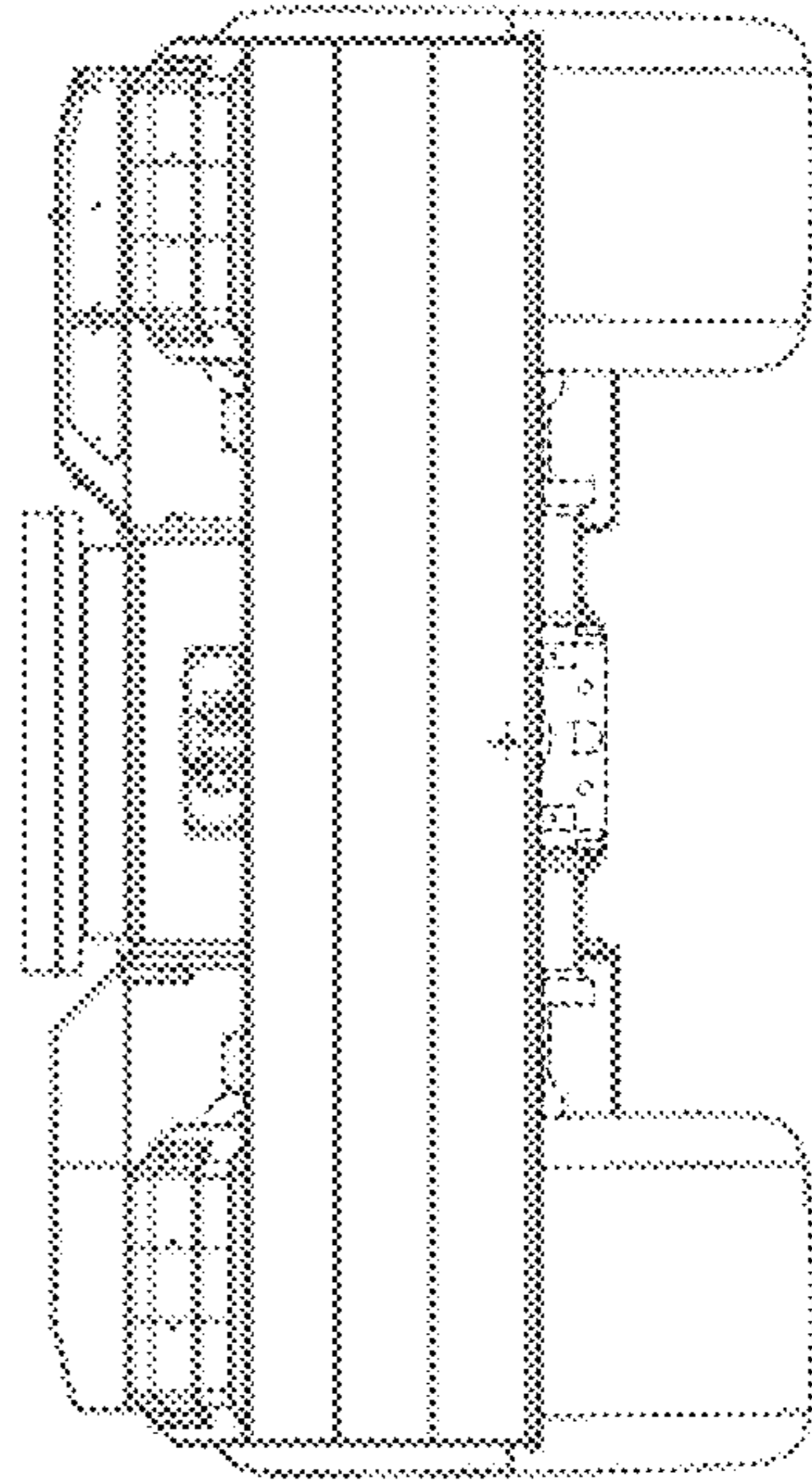


Fig. 5

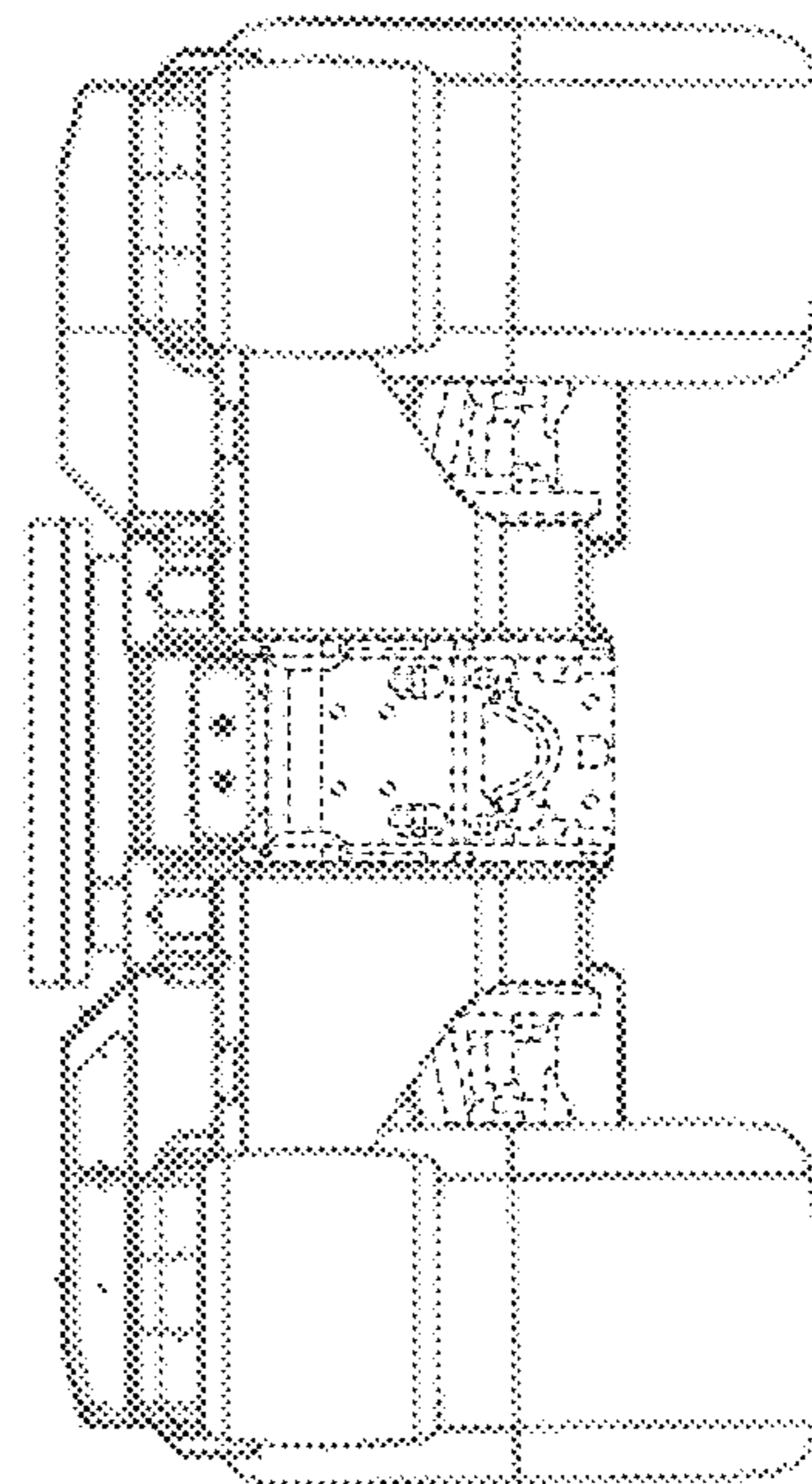


Fig. 6

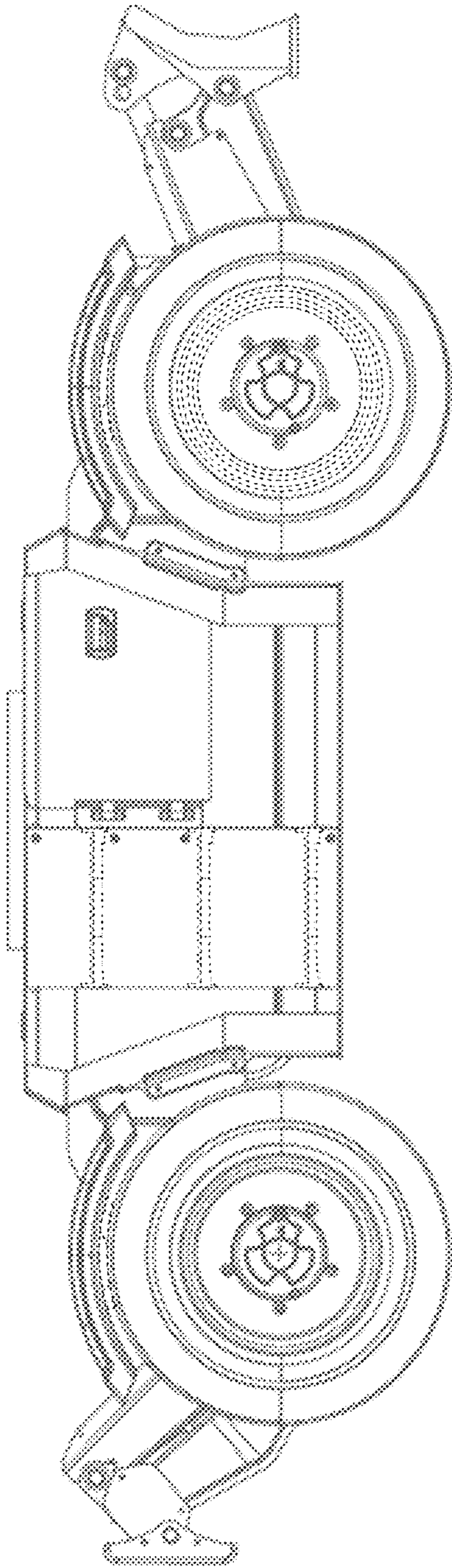


Fig. 7

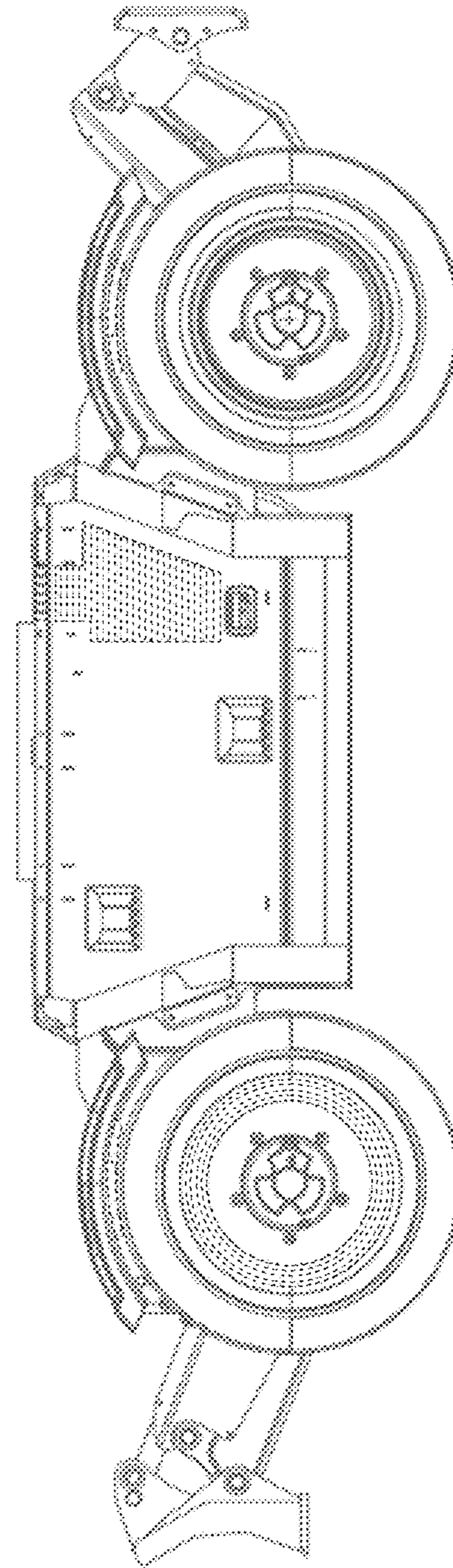


Fig. 8

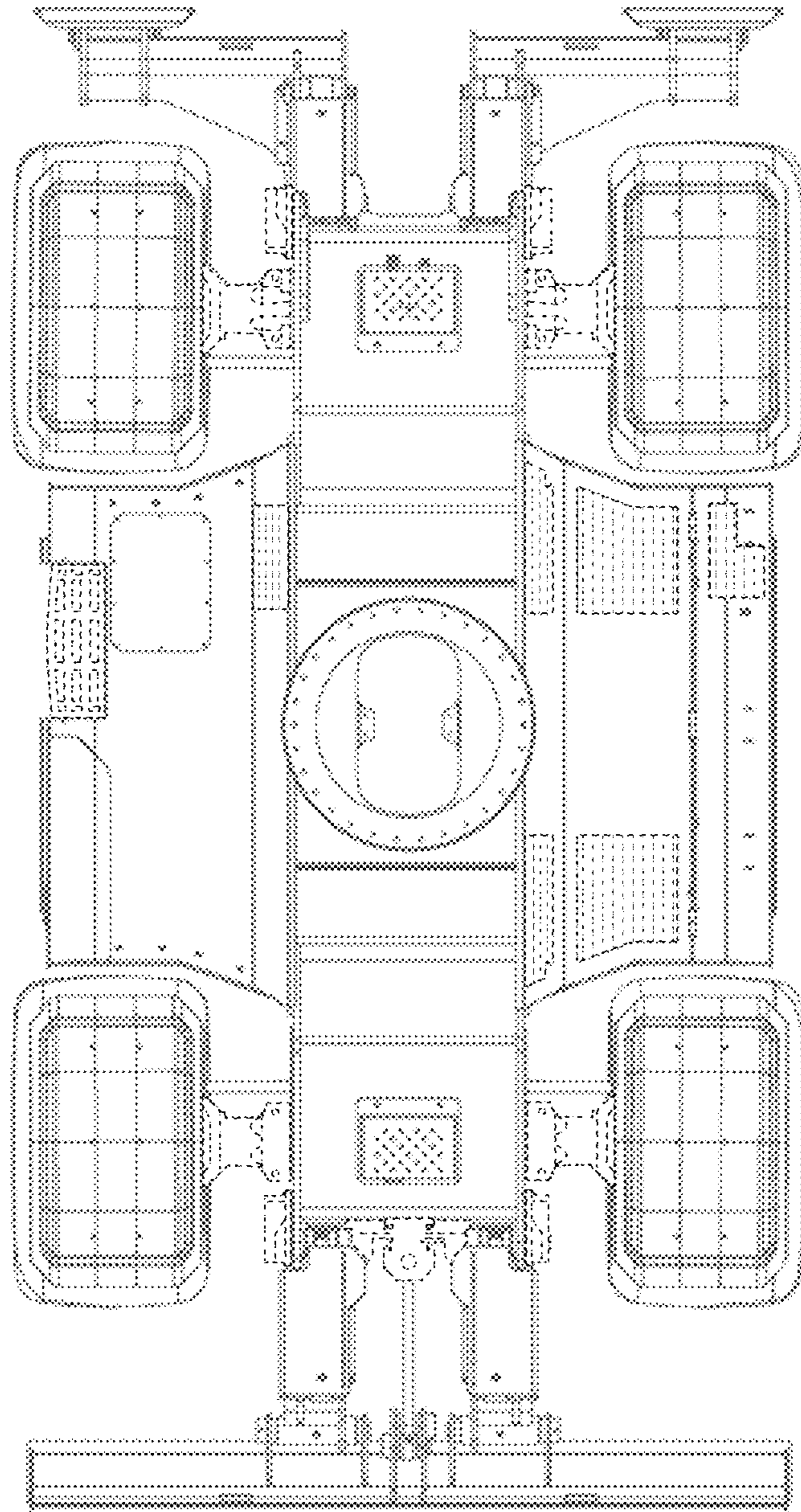


Fig. 9

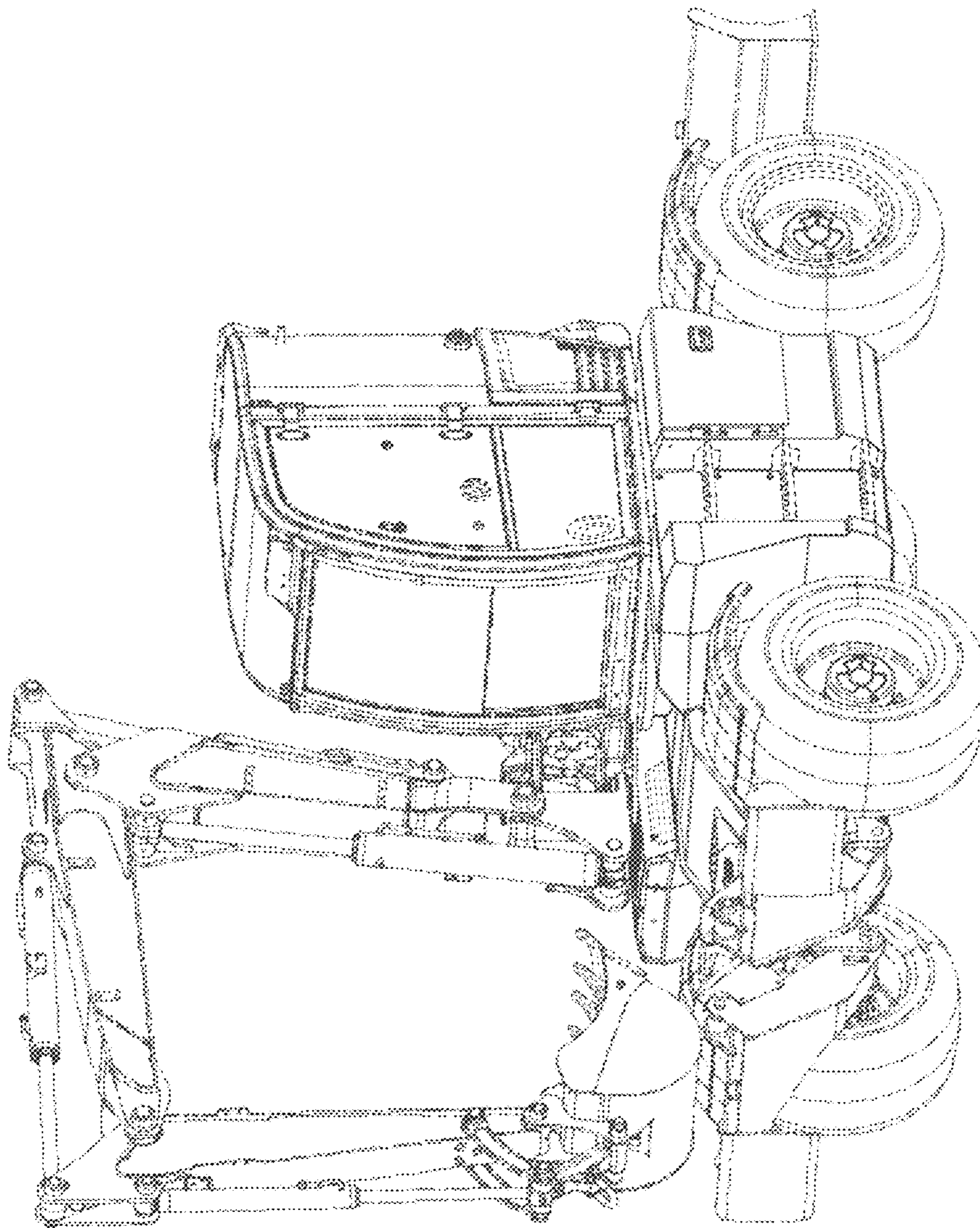


Fig. 10

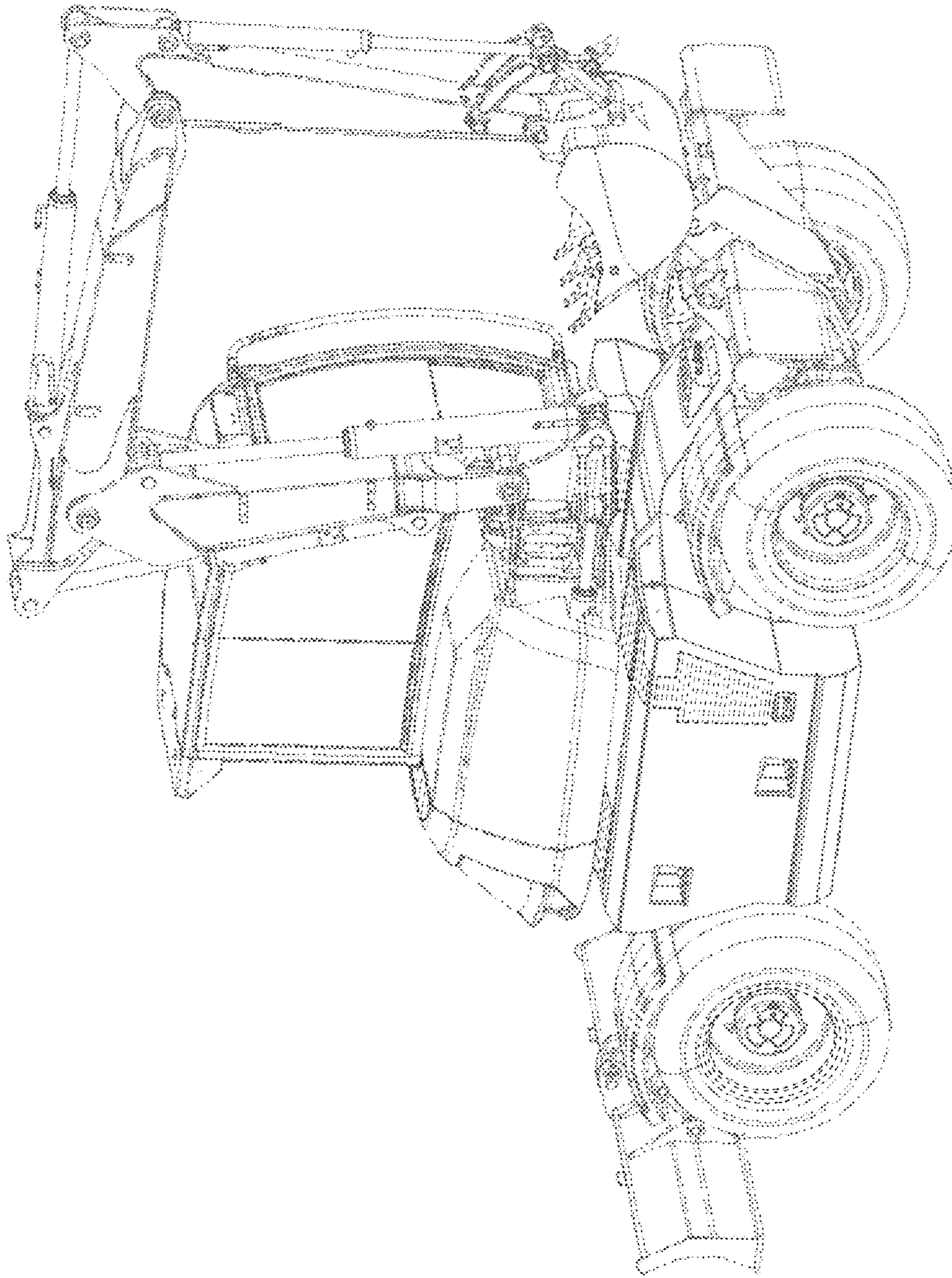


Fig. 11

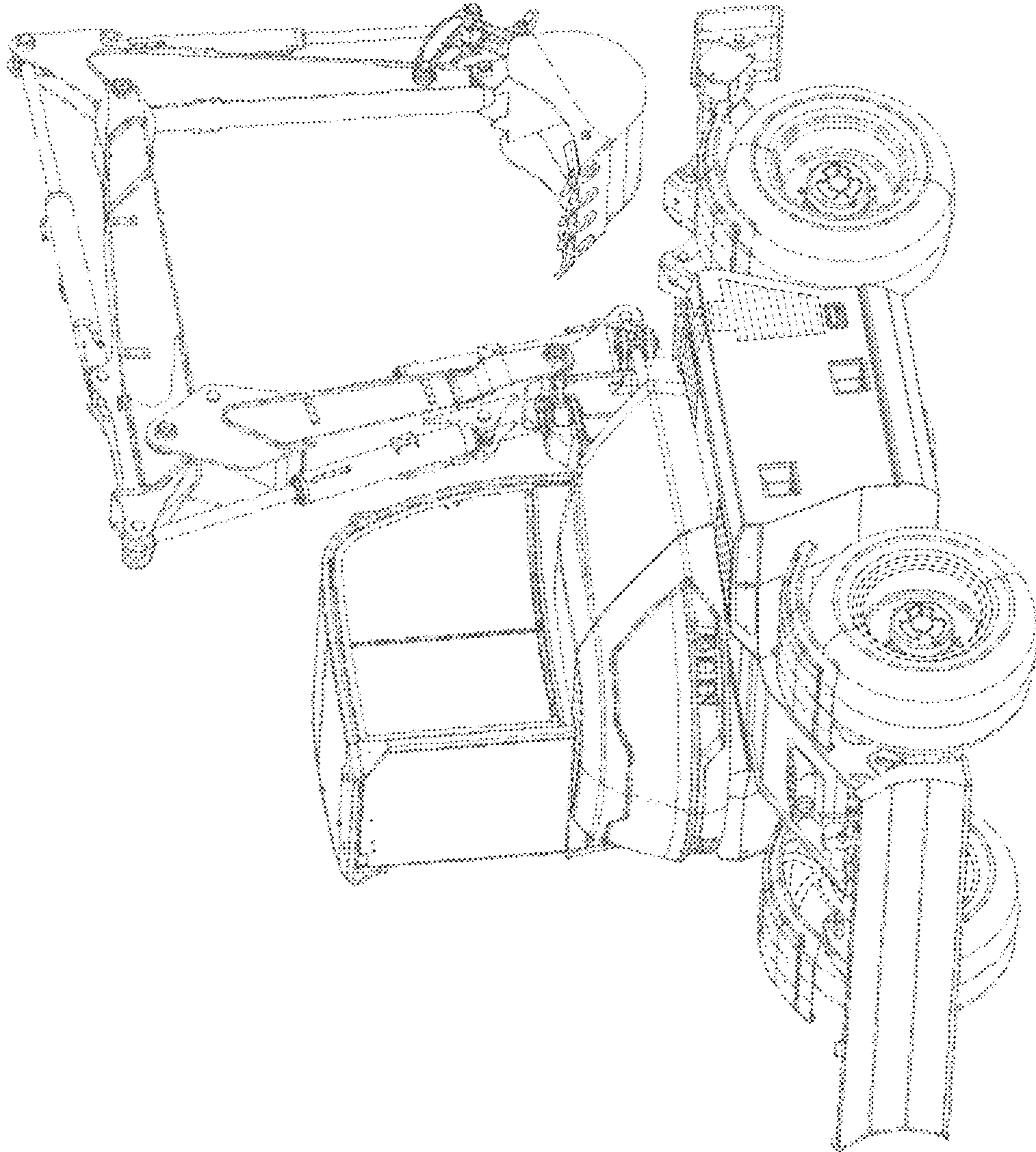


Fig. 12

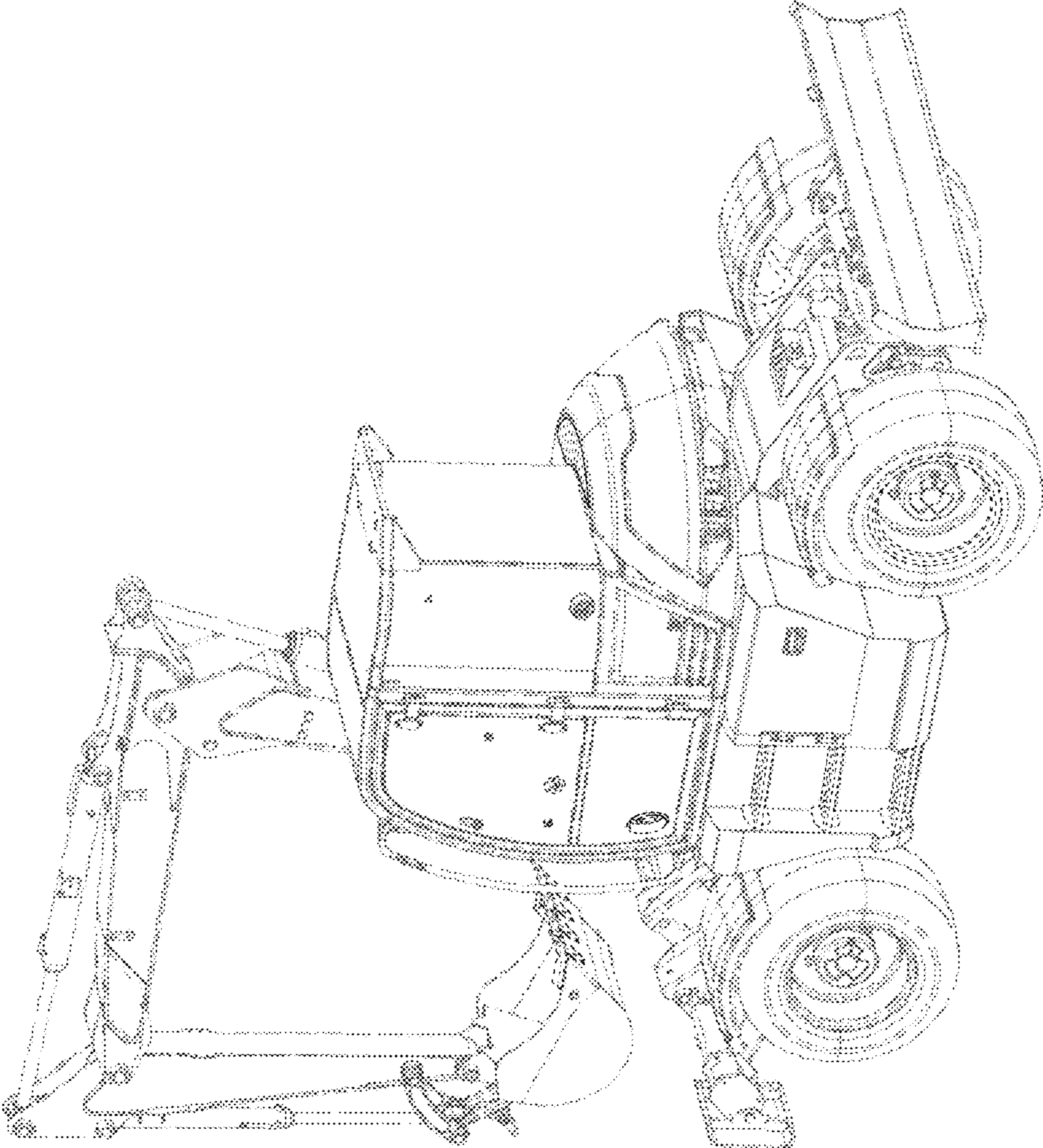


Fig. 13

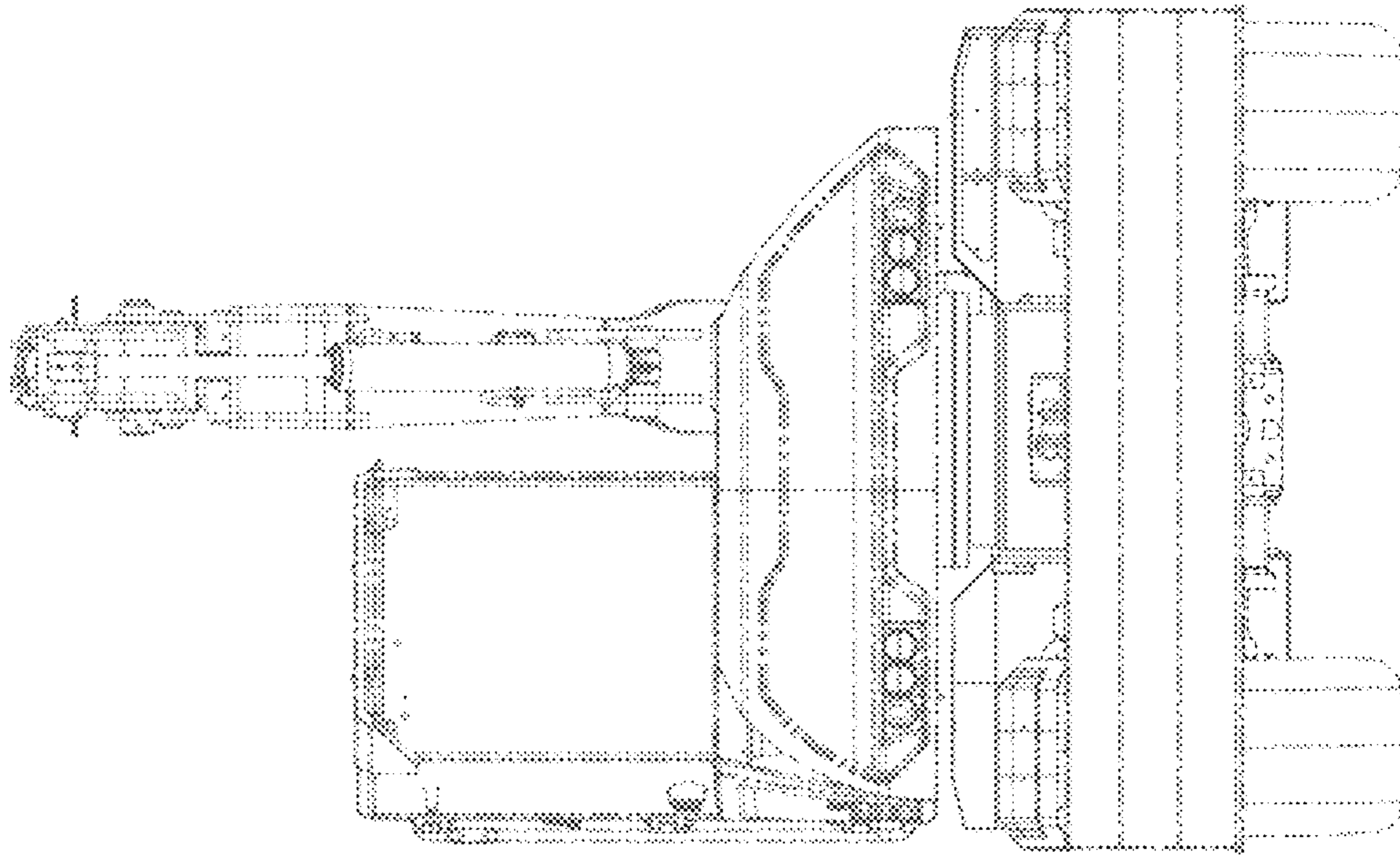


Fig. 15

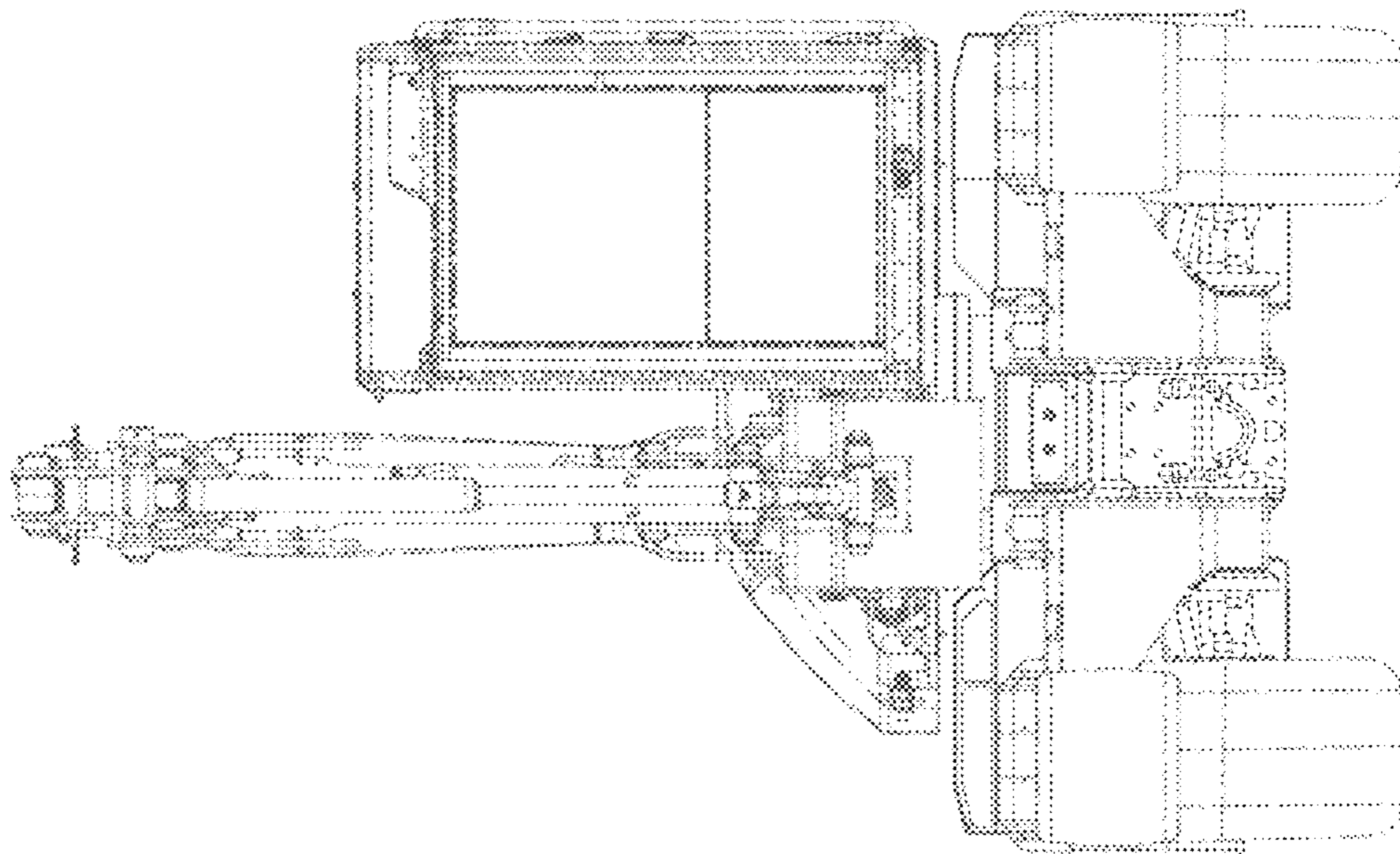


Fig. 14

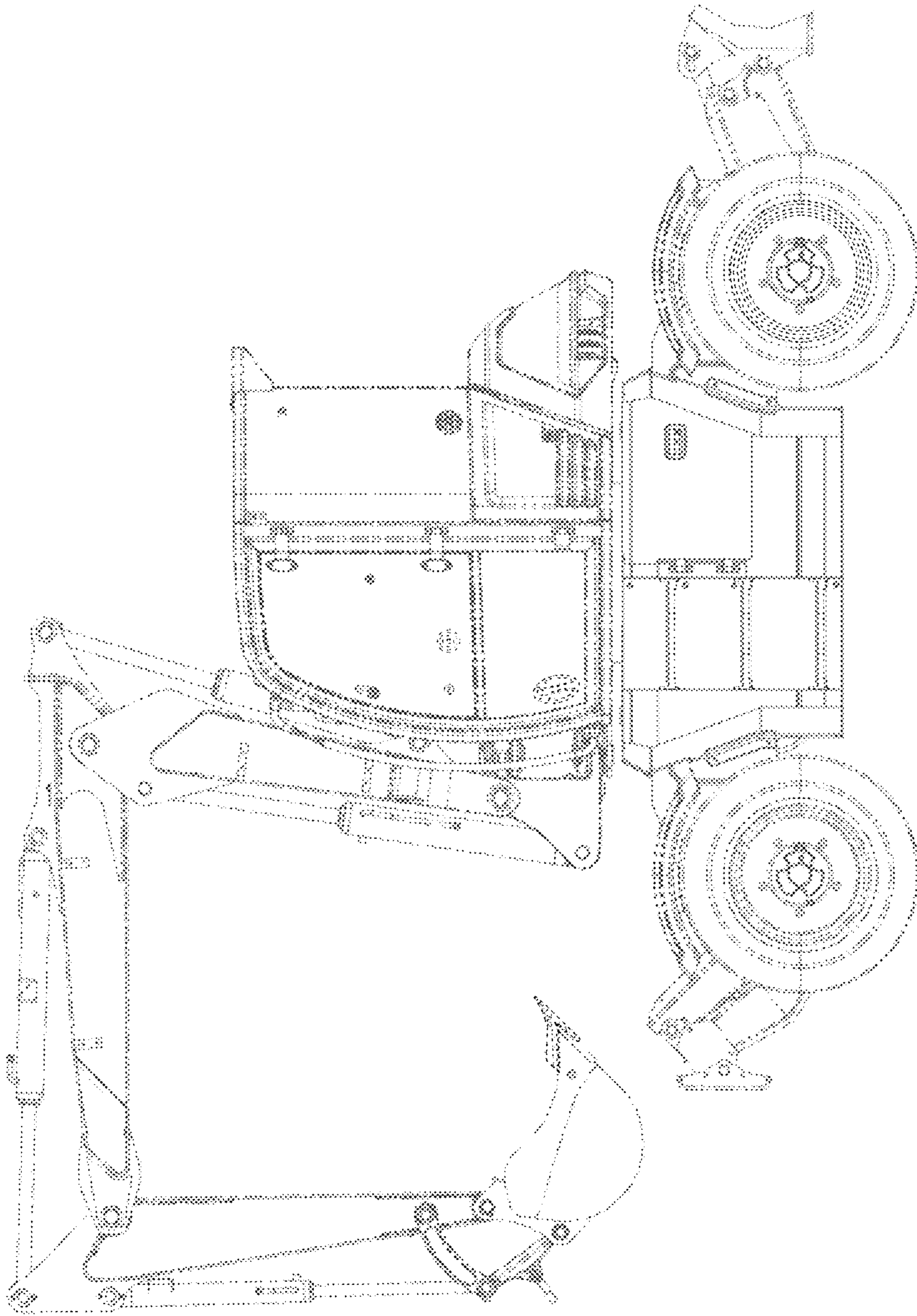


Fig. 16

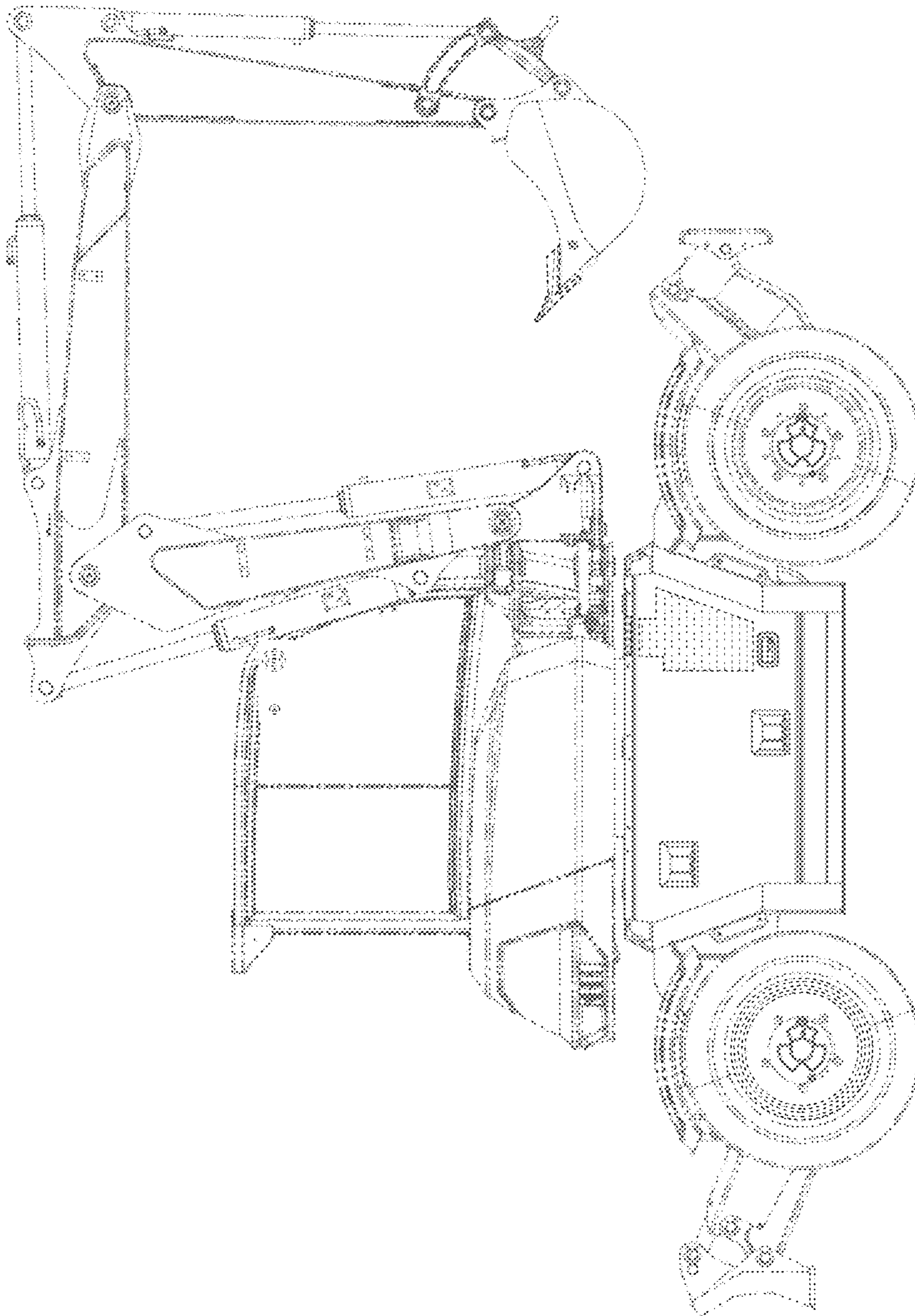


Fig. 17

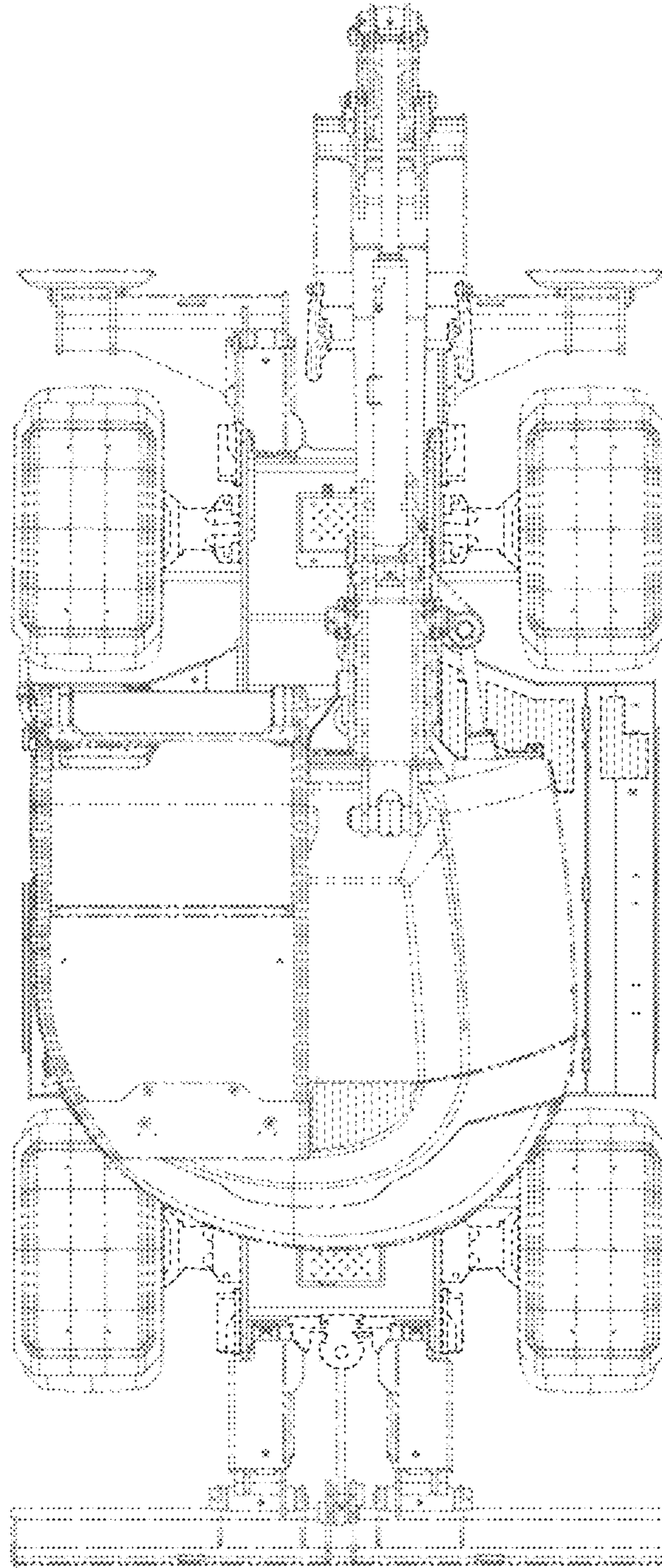


Fig. 18