



US00D853451S

(12) **United States Design Patent**
Loew

(10) **Patent No.:** **US D853,451 S**
(45) **Date of Patent:** **** Jul. 9, 2019**

(54) **REAR PART OF A SINGLE DRUM ROLLER**

(71) Applicant: **BOMAG GmbH**, Boppard (DE)

(72) Inventor: **Roland Loew**, Klein-Winternheim (DE)

(73) Assignee: **BOMAG GmbH**, Boppard (DE)

(**) Term: **15 Years**

(21) Appl. No.: **29/631,962**

(22) Filed: **Jan. 4, 2018**

(30) **Foreign Application Priority Data**

Jul. 6, 2017 (EM) 004091841-0004

(51) **LOC (11) Cl.** **15-03**

(52) **U.S. Cl.**
USPC **D15/20**

(58) **Field of Classification Search**
USPC D15/10, 20, 22-26, 28, 30, 33; 180/20,
180/89.12; 280/104, 124.11; 404/122,
404/132, 125, 90
CPC E02D 3/026; E02D 3/00; E02D 3/074;
B30B 15/00; E01C 19/27; E01C 19/41;
E01C 19/22; E01C 19/38; E01C 19/286;
E01C 19/4853; E01C 19/238

See application file for complete search history.

(56) **References Cited**

U.S. PATENT DOCUMENTS

D185,841 S * 8/1959 Schertzer D15/20
D207,532 S * 5/1967 Garls et al. D15/20
D275,678 S * 9/1984 Mawhorr D15/20
D396,431 S * 7/1998 Lindgren D12/14
6,742,960 B2 * 6/2004 Corcoran E01C 19/286
404/117
D500,329 S * 12/2004 Baue D15/28
D516,094 S * 2/2006 Dotsch D15/20
D578,274 S 10/2008 Tokach et al.

D611,505 S * 3/2010 Loew D15/20
D611,506 S * 3/2010 Loew D15/20
D624,567 S 9/2010 Kelley
D629,818 S 12/2010 Rummer et al.
D632,313 S 2/2011 Kelley
D657,400 S * 4/2012 Loew D15/20
D668,269 S * 10/2012 Tezuka D15/20
D668,694 S * 10/2012 Tezuka D15/31
D670,746 S 11/2012 Ewringmann
D676,463 S * 2/2013 Ewringmann D15/20
D676,466 S * 2/2013 Ewringmann D15/20
D694,278 S * 11/2013 Ewringmann D15/20
D694,279 S * 11/2013 Ewringmann D15/20
D699,764 S * 2/2014 Loew D15/20
D708,233 S 7/2014 Furuki et al.
D715,333 S 10/2014 Jacobsthal et al.
D720,779 S * 1/2015 Loew D15/20
D724,109 S * 3/2015 Haro D15/20
D744,543 S * 12/2015 Loew D15/20

(Continued)

Primary Examiner — Mark A Goodwin

(74) *Attorney, Agent, or Firm* — Wood Herron & Evans LLP

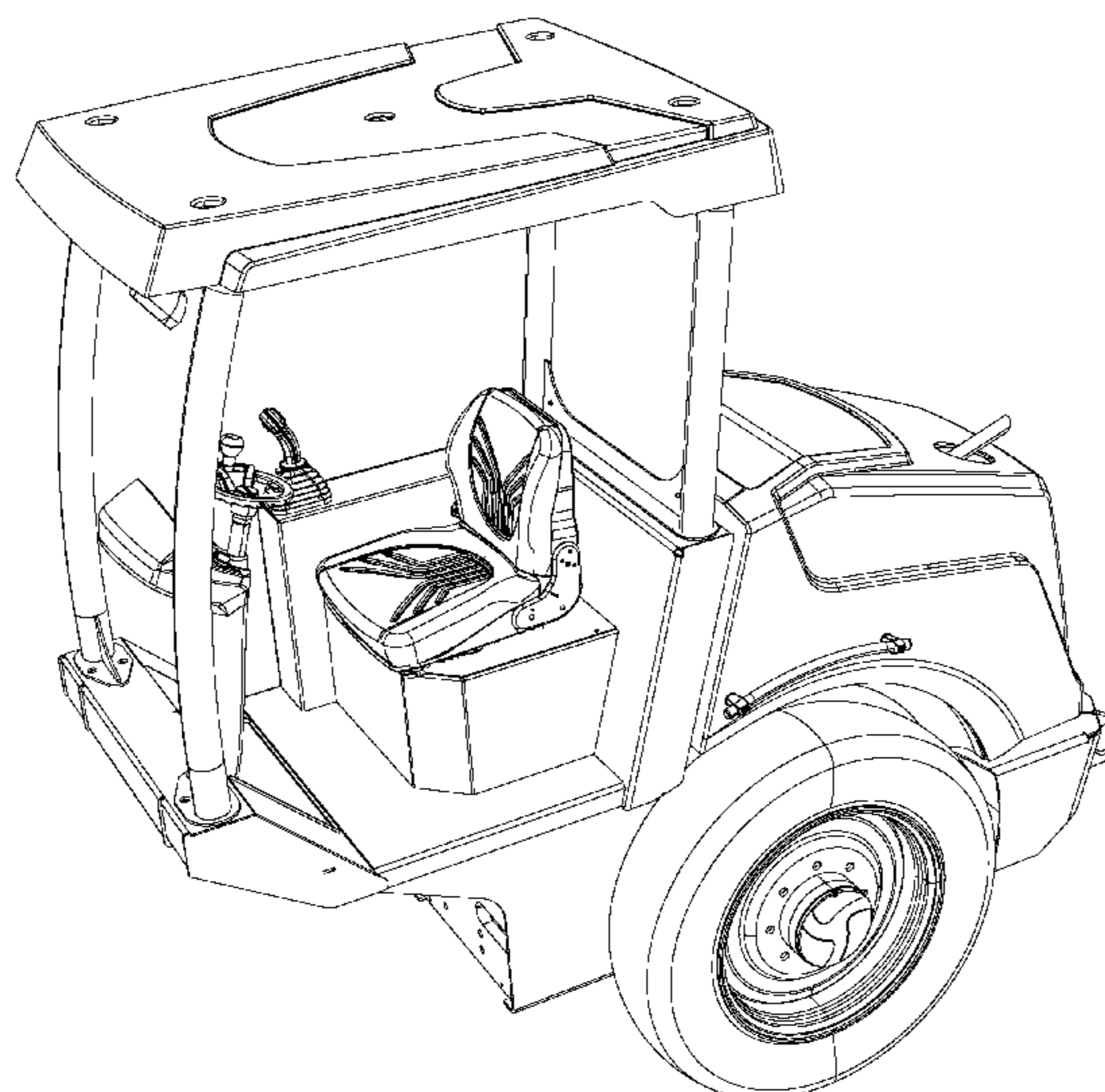
(57) **CLAIM**

The ornamental design for a rear part of a single drum roller, as shown and described.

DESCRIPTION

FIG. 1 is a front right perspective view of a rear part of a single drum roller showing my new design; FIG. 2 is a front left perspective view thereof; FIG. 3 is a front view thereof; FIG. 4 is a right side view thereof; FIG. 5 is a left side view thereof; FIG. 6 is a rear view thereof; FIG. 7 is a rear right perspective view thereof; FIG. 8 is a rear left perspective view thereof; FIG. 9 is a top view thereof; and, FIG. 10 is a bottom view thereof.

1 Claim, 10 Drawing Sheets



(56)

References Cited

U.S. PATENT DOCUMENTS

D745,063 S * 12/2015 Loew D15/20
D749,142 S * 2/2016 Erdmann D15/20
D749,143 S * 2/2016 Erdmann D15/20
D751,611 S 3/2016 Smith et al.
D757,826 S 5/2016 Hartz et al.
D762,740 S 8/2016 Okuyama et al.
D765,735 S * 9/2016 Roemer D15/20
D766,339 S 9/2016 Hanke et al.
D784,426 S 4/2017 Okuyama et al.
D786,945 S 5/2017 Smith et al.
D789,424 S * 6/2017 Roemer D15/20
D795,308 S 8/2017 Sauvaget
D795,309 S 8/2017 Sauvaget
D796,557 S * 9/2017 Loew D15/20
D800,792 S * 10/2017 Loew D15/20
D800,793 S * 10/2017 Loew D15/20
D800,794 S * 10/2017 Loew D15/20
D800,795 S * 10/2017 Loew D15/20
D806,762 S * 1/2018 Loew D15/31
D819,704 S * 6/2018 Loew D15/20
2004/0028472 A1 * 2/2004 Richter B06B 1/161
404/117
2012/0114416 A1 * 5/2012 Marsolek E01C 19/286
404/75
2012/0301221 A1 * 11/2012 Ackermann E01C 19/282
404/75
2014/0161529 A1 * 6/2014 Darscheid E01C 19/38
404/84.05
2015/0204031 A1 * 7/2015 Kreutz E01C 19/238
404/103
2017/0342668 A1 * 11/2017 Meindl E02D 3/026

* cited by examiner

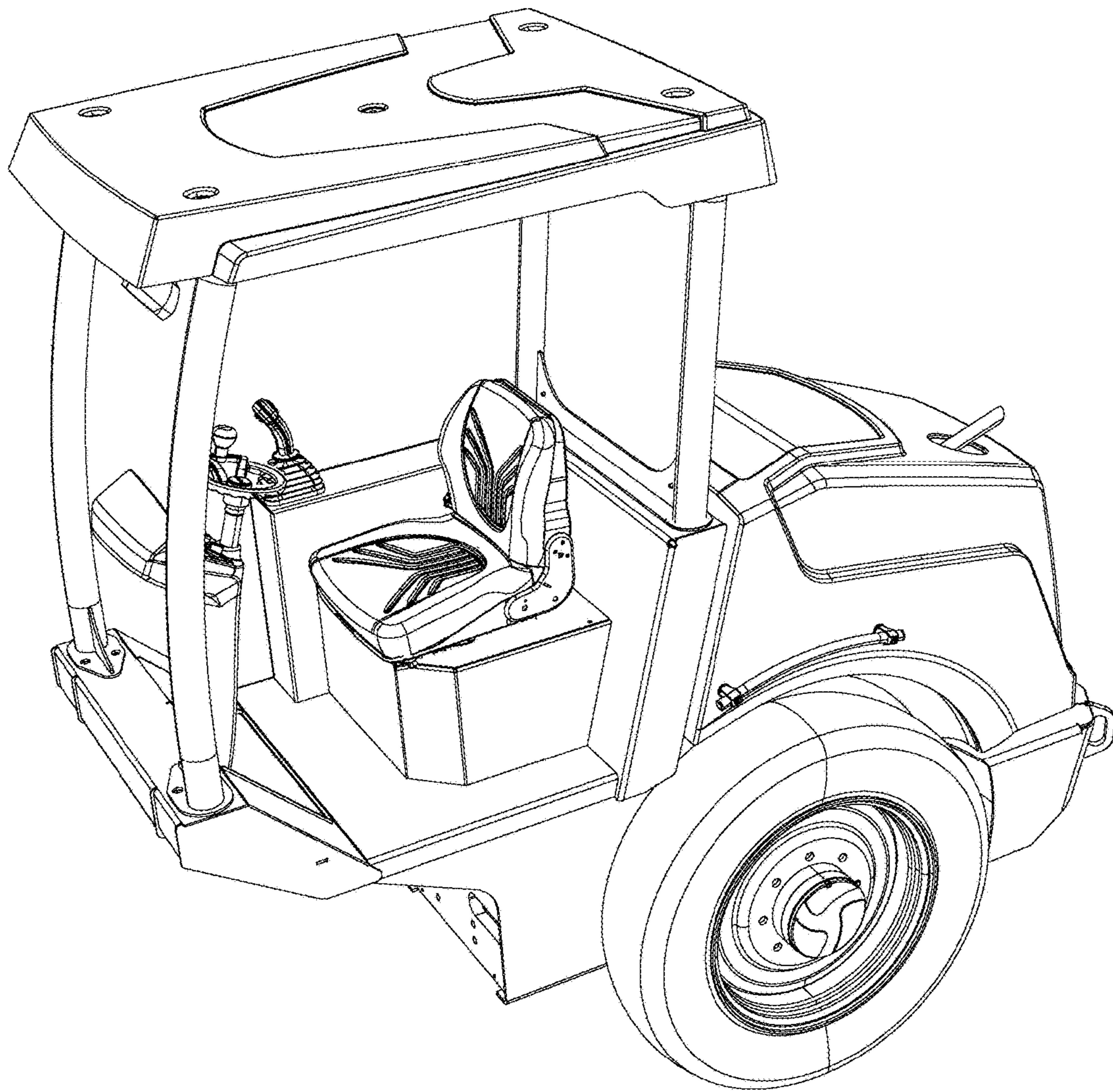


FIG. 1

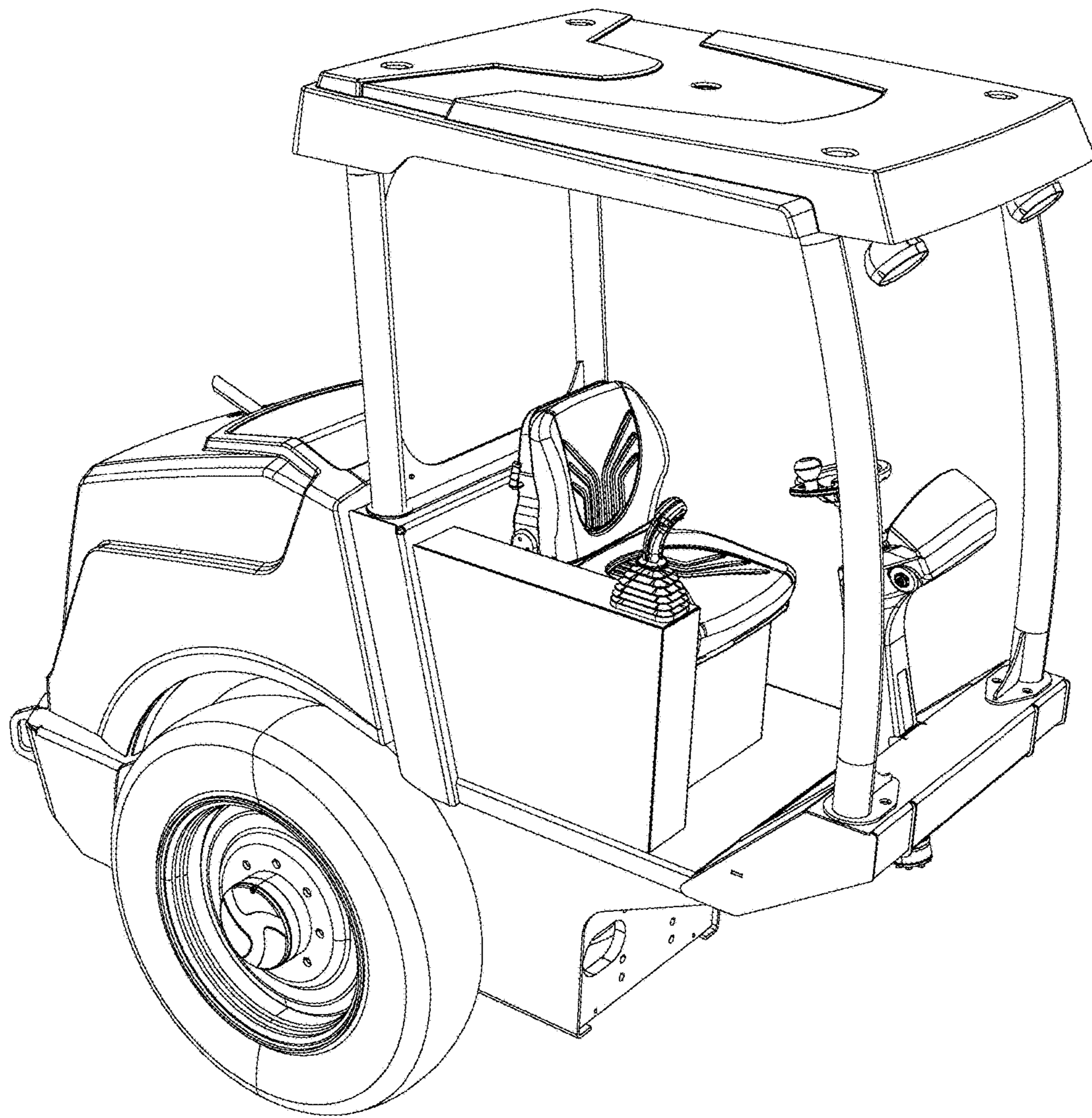


FIG. 2

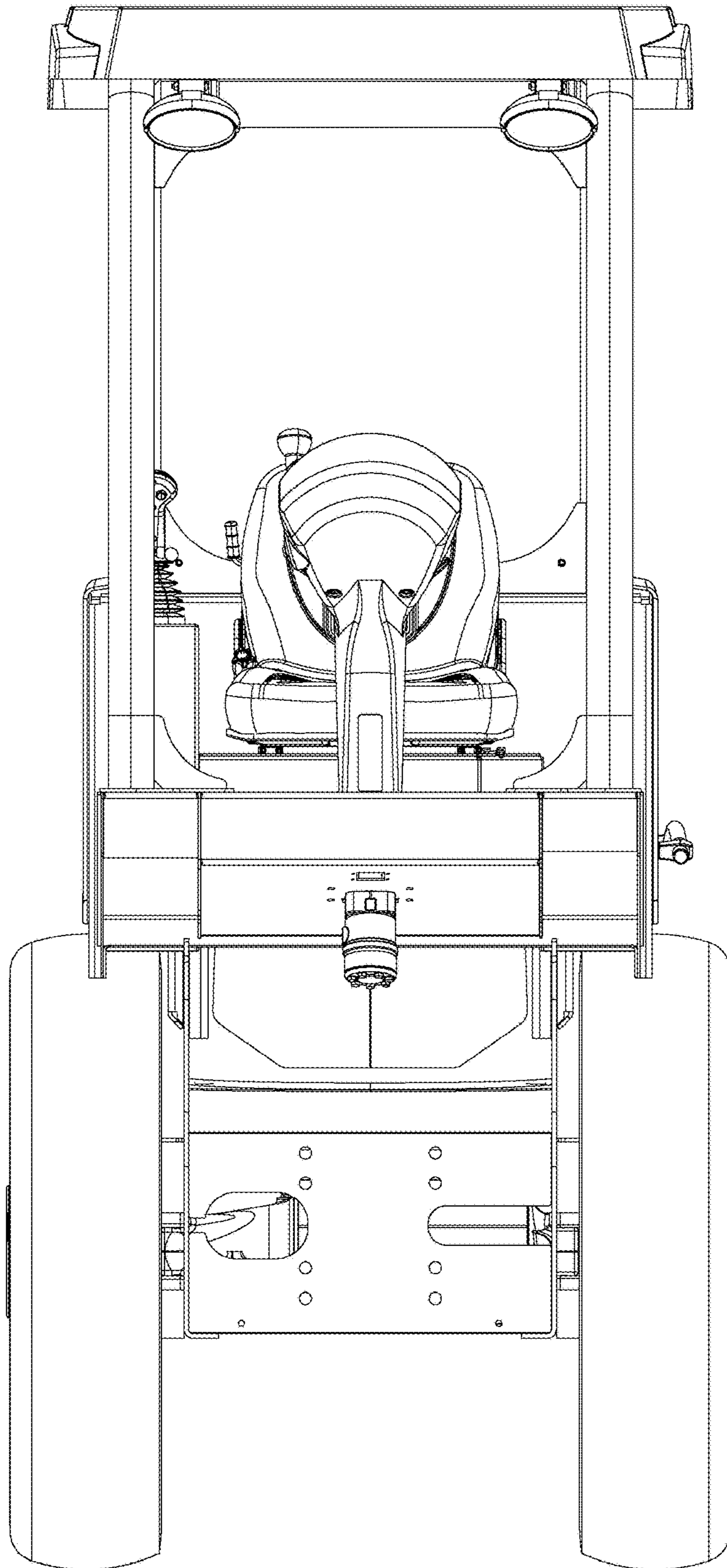


FIG. 3

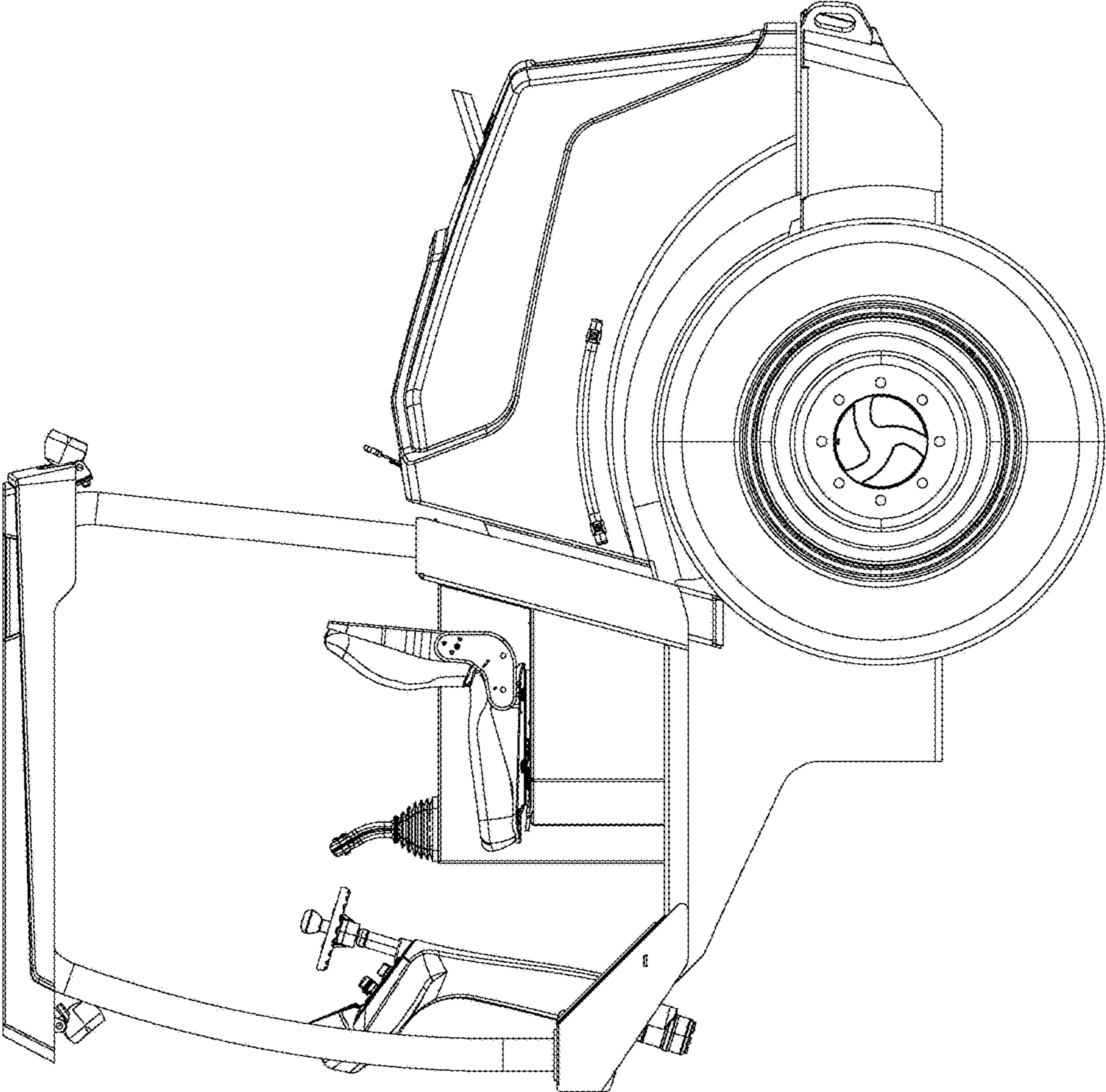


FIG. 4

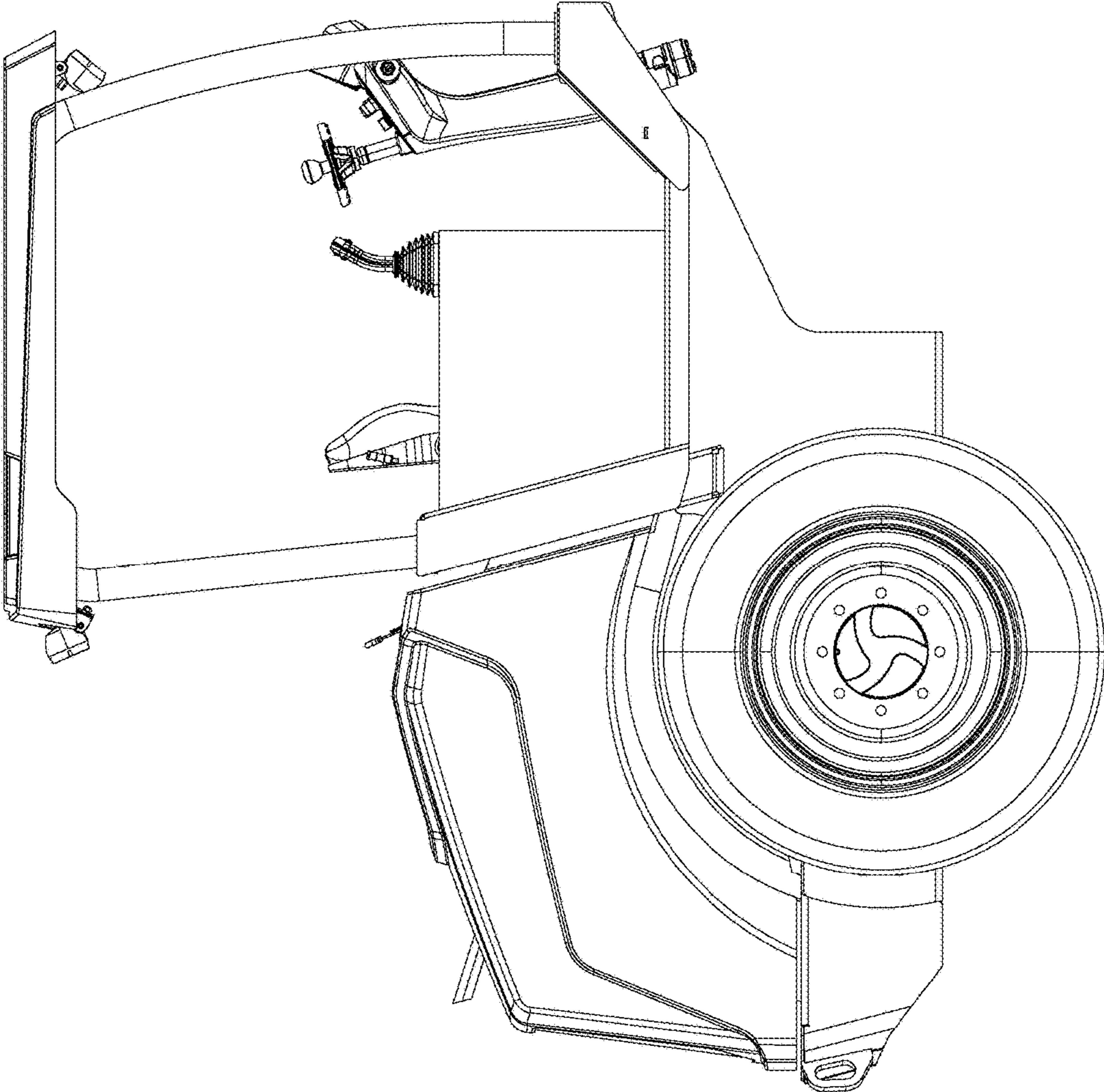


FIG. 5

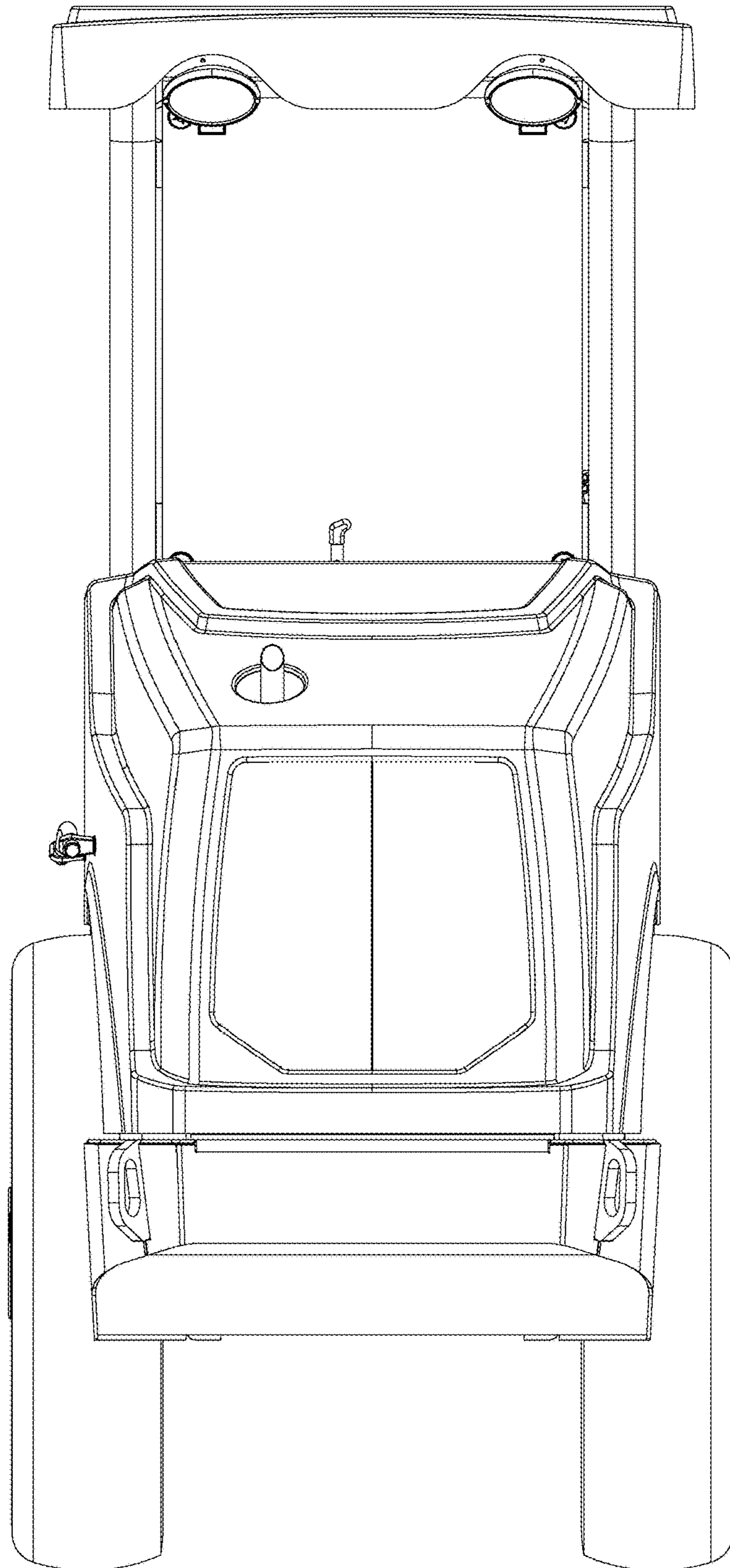


FIG. 6

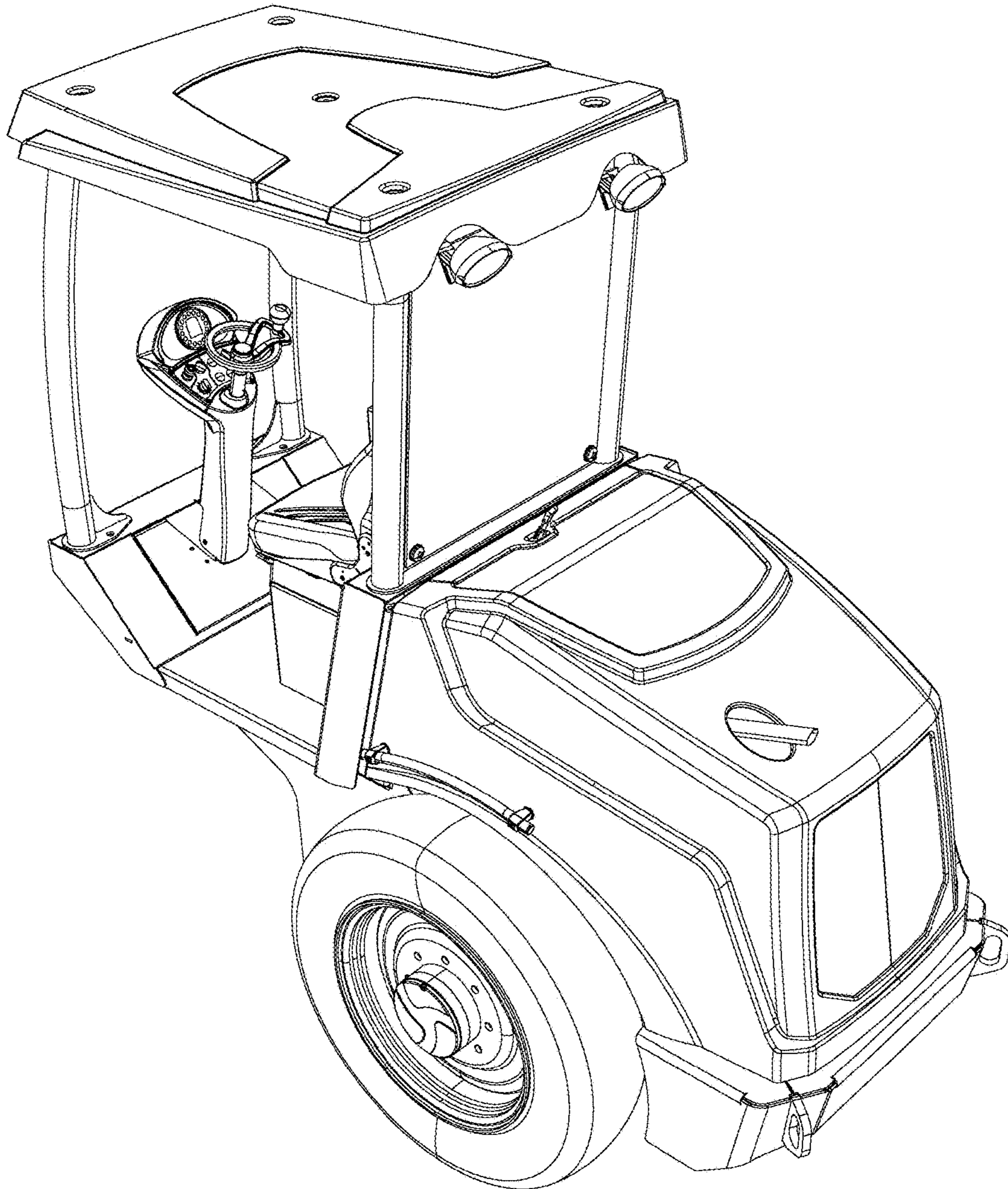


FIG. 7

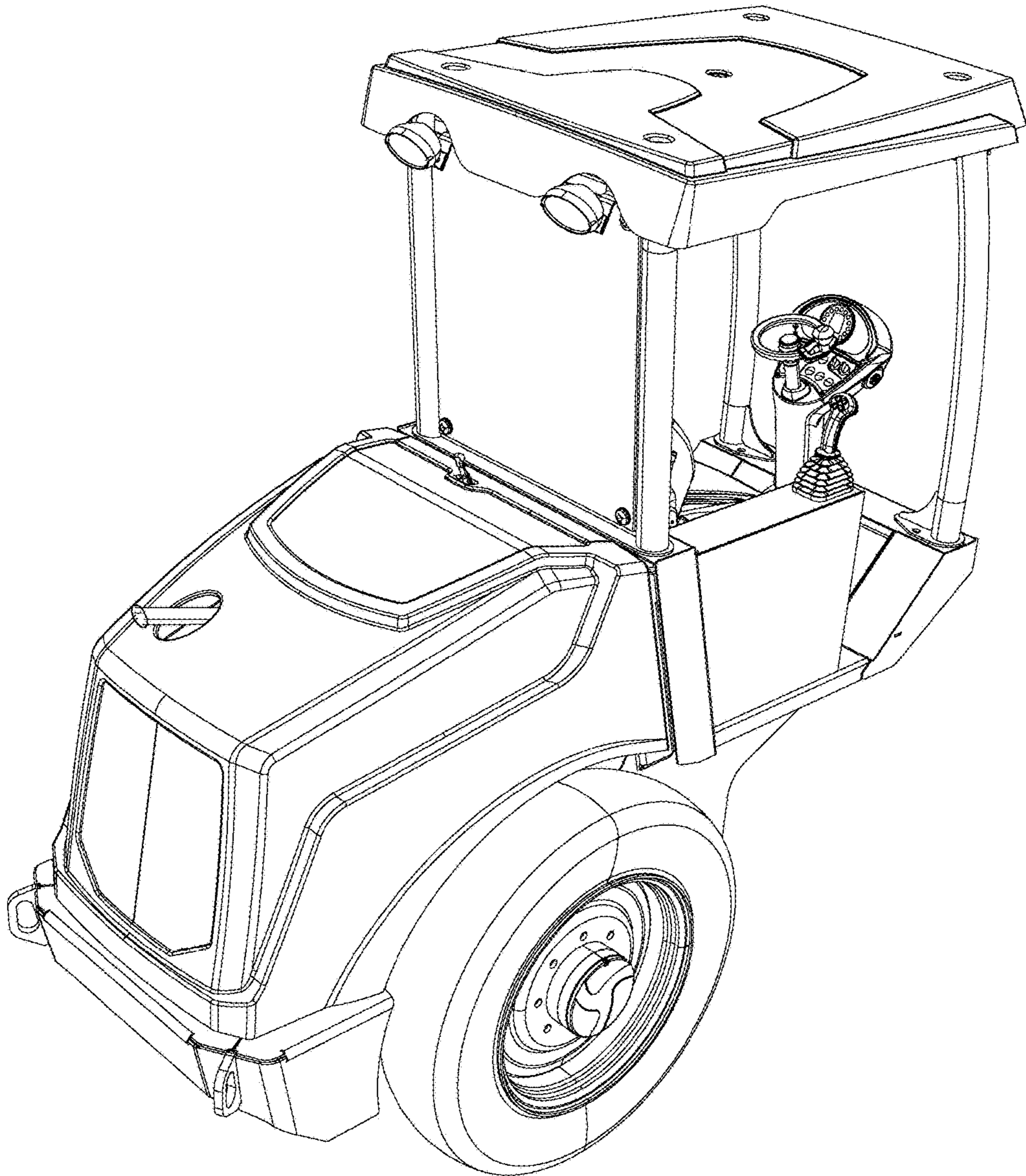


FIG. 8

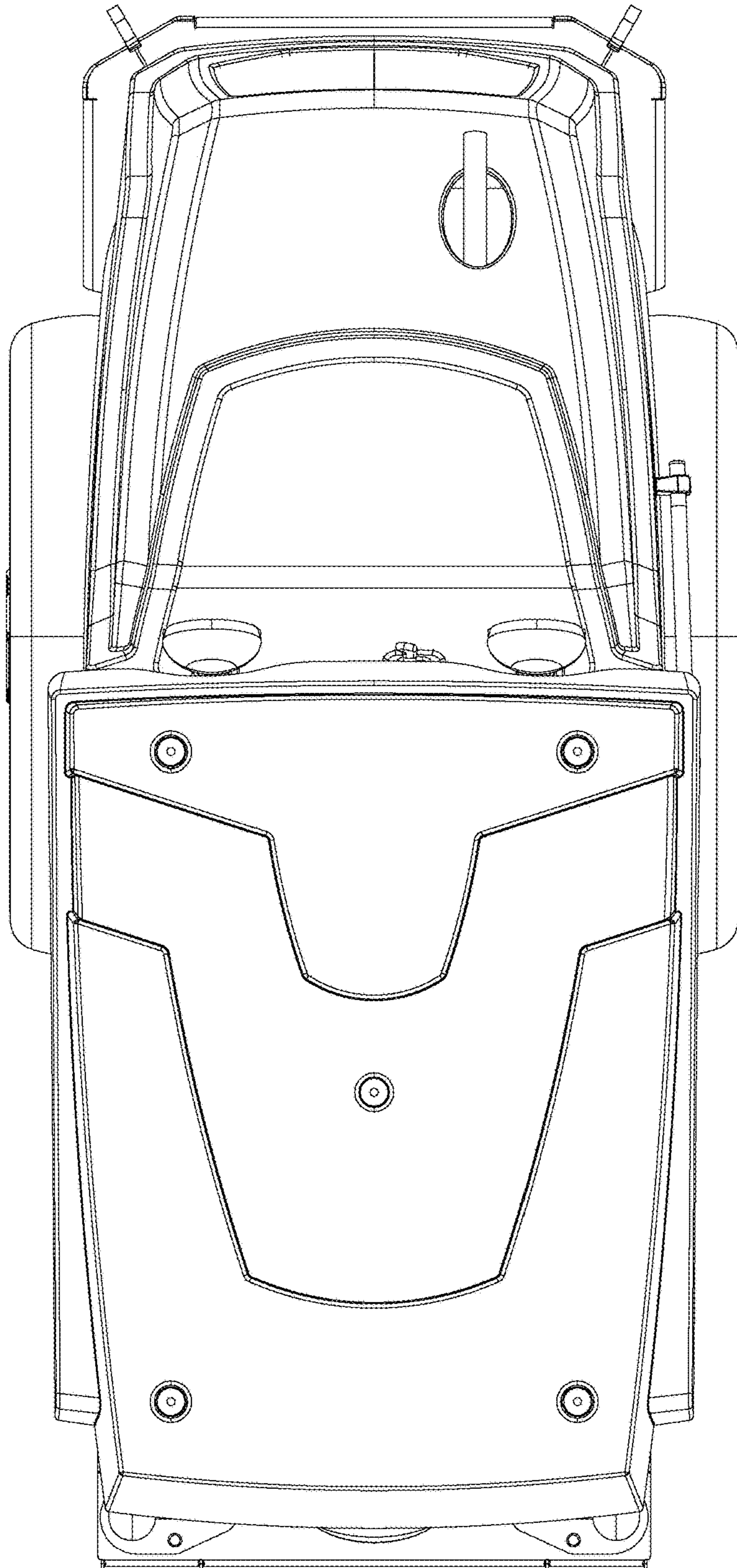


FIG. 9

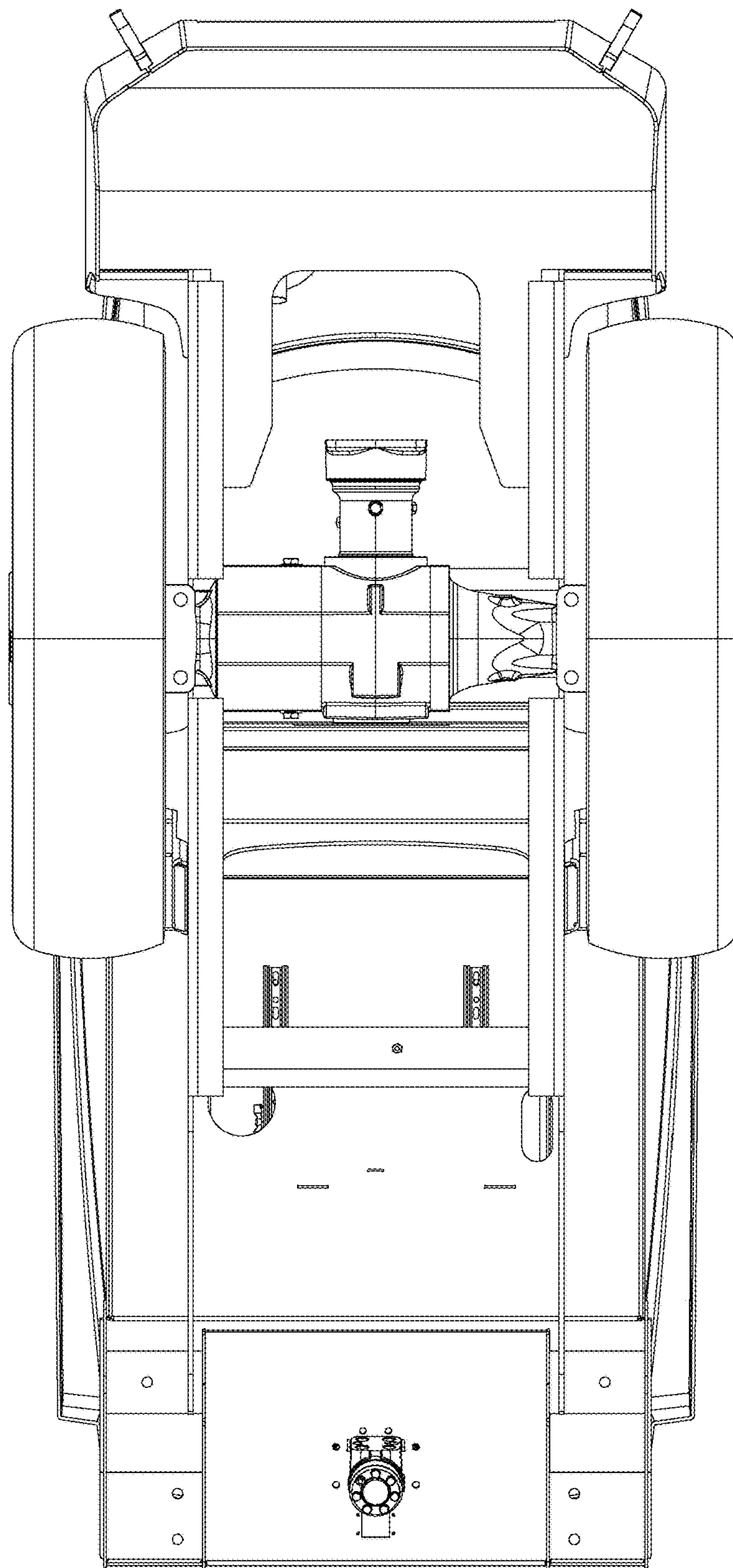


FIG. 10