



US00D853450S

(12) **United States Design Patent** (10) **Patent No.:** **US D853,450 S**
Loew (45) **Date of Patent:** **** Jul. 9, 2019**

(54) **SINGLE DRUM ROLLER**
(71) Applicant: **BOMAG GmbH**, Boppard (DE)
(72) Inventor: **Roland Loew**, Klein-Winternheim (DE)
(73) Assignee: **BOMAG GmbH**, Boppard (DE)
(**) Term: **15 Years**
(21) Appl. No.: **29/631,958**
(22) Filed: **Jan. 4, 2018**

(30) **Foreign Application Priority Data**

Jul. 6, 2017 (EM) 004091841-0002

(51) **LOC (11) Cl.** **15-03**

(52) **U.S. Cl.**
USPC **D15/20**

(58) **Field of Classification Search**
USPC D15/10, 20, 22-26, 28, 30, 33; 180/20,
180/89.12; 280/104, 124.11; 404/122,
404/132, 125, 90
CPC E02D 3/026; E02D 3/00; E02D 3/074;
B30B 15/00; E01C 19/27; E01C 19/41;
E01C 19/22; E01C 19/38; E01C 19/286;
E01C 19/4853; E01C 19/238

See application file for complete search history.

(56) **References Cited**

U.S. PATENT DOCUMENTS

D185,841 S * 8/1959 Schertzer D15/20
D207,532 S * 5/1967 Gasris et al. D15/20
D275,678 S * 9/1984 Mawhorr D15/20
D396,431 S * 7/1998 Lindgren D12/14
6,742,960 B2 * 6/2004 Corcoran E01C 19/286
404/117
D500,329 S * 12/2004 Baue D15/28
D516,094 S * 2/2006 Dotsch D15/20
D578,274 S 10/2008 Tokach et al.

D611,505 S * 3/2010 Loew D15/20
D611,506 S * 3/2010 Loew D15/20
D624,567 S 9/2010 Kelley
D629,818 S 12/2010 Rummer et al.
D632,313 S 2/2011 Kelley
D657,400 S * 4/2012 Loew D15/20
D668,269 S * 10/2012 Tezuka D15/20
D668,694 S * 10/2012 Tezuka D15/31
D670,746 S 11/2012 Ewringmann
D676,463 S * 2/2013 Ewringmann D15/20
D676,466 S * 2/2013 Ewringmann D15/20
D694,278 S * 11/2013 Ewringmann D15/20
D694,279 S * 11/2013 Ewringmann D15/20
D699,764 S * 2/2014 Loew D15/20
D708,233 S 7/2014 Furuki et al.
D715,333 S 10/2014 Jacobsthal et al.
D720,779 S * 1/2015 Loew D15/20
D724,109 S * 3/2015 Haro D15/20
D744,543 S * 12/2015 Loew D15/20

(Continued)

Primary Examiner — Mark A Goodwin

(74) *Attorney, Agent, or Firm* — Wood Herron & Evans LLP

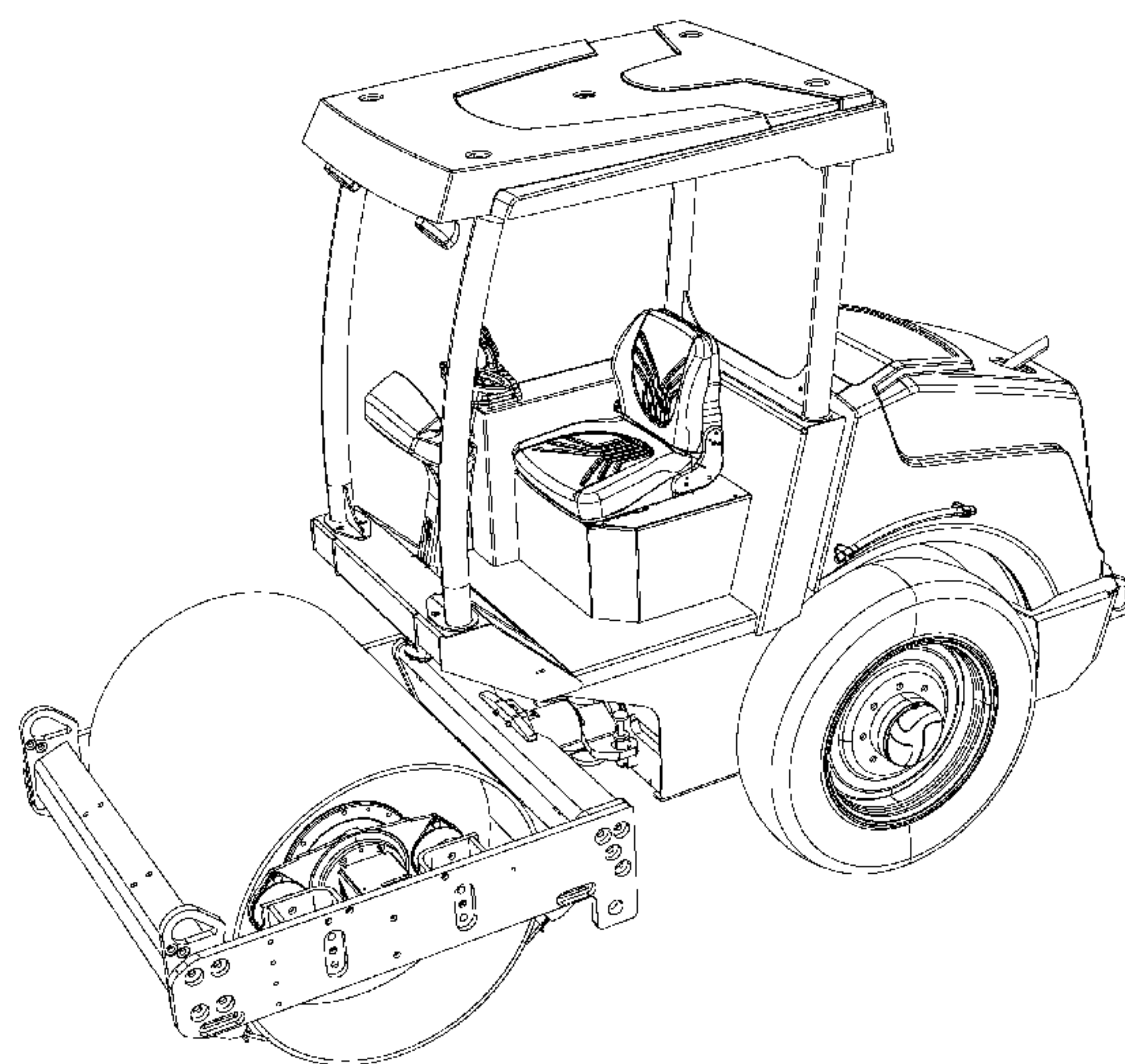
(57) **CLAIM**

The ornamental design for a single drum roller, as shown and described.

DESCRIPTION

FIG. 1 is a front right perspective view of a single drum roller showing my new design;
FIG. 2 is a front left perspective view thereof;
FIG. 3 is a front view thereof;
FIG. 4 is a right side view thereof;
FIG. 5 is a left side view thereof;
FIG. 6 is a rear view thereof;
FIG. 7 is a rear right perspective view thereof;
FIG. 8 is a rear left perspective view thereof;
FIG. 9 is a top view thereof; and,
FIG. 10 is a bottom view thereof.

1 Claim, 10 Drawing Sheets



(56)

References Cited

U.S. PATENT DOCUMENTS

D745,063	S	*	12/2015	Loew	D15/20
D749,142	S	*	2/2016	Erdmann	D15/20
D749,143	S	*	2/2016	Erdmann	D15/20
D751,611	S		3/2016	Smith et al.		
D757,826	S		5/2016	Hartz et al.		
D762,740	S		8/2016	Okuyama et al.		
D765,735	S	*	9/2016	Roemer	D15/20
D766,339	S		9/2016	Hanke et al.		
D784,426	S		4/2017	Okuyama et al.		
D786,945	S		5/2017	Smith et al.		
D789,424	S	*	6/2017	Roemer	D15/20
D795,308	S		8/2017	Sauvaget		
D795,309	S		8/2017	Sauvaget		
D796,557	S	*	9/2017	Loew	D15/20
D800,792	S	*	10/2017	Loew	D15/20
D800,793	S	*	10/2017	Loew	D15/20
D800,794	S	*	10/2017	Loew	D15/20
D800,795	S	*	10/2017	Loew	D15/20
D806,762	S	*	1/2018	Loew	D15/31
D819,704	S	*	6/2018	Loew	D15/20
2004/0028472	A1	*	2/2004	Richter	B06B 1/161 404/117
2012/0114416	A1	*	5/2012	Marsolek	E01C 19/286 404/75
2012/0301221	A1	*	11/2012	Ackermann	E01C 19/282 404/75
2014/0161529	A1	*	6/2014	Darscheid	E01C 19/38 404/84.05
2015/0204031	A1	*	7/2015	Kreutz	E01C 19/238 404/103
2017/0342668	A1	*	11/2017	Meindl	E02D 3/026

* cited by examiner

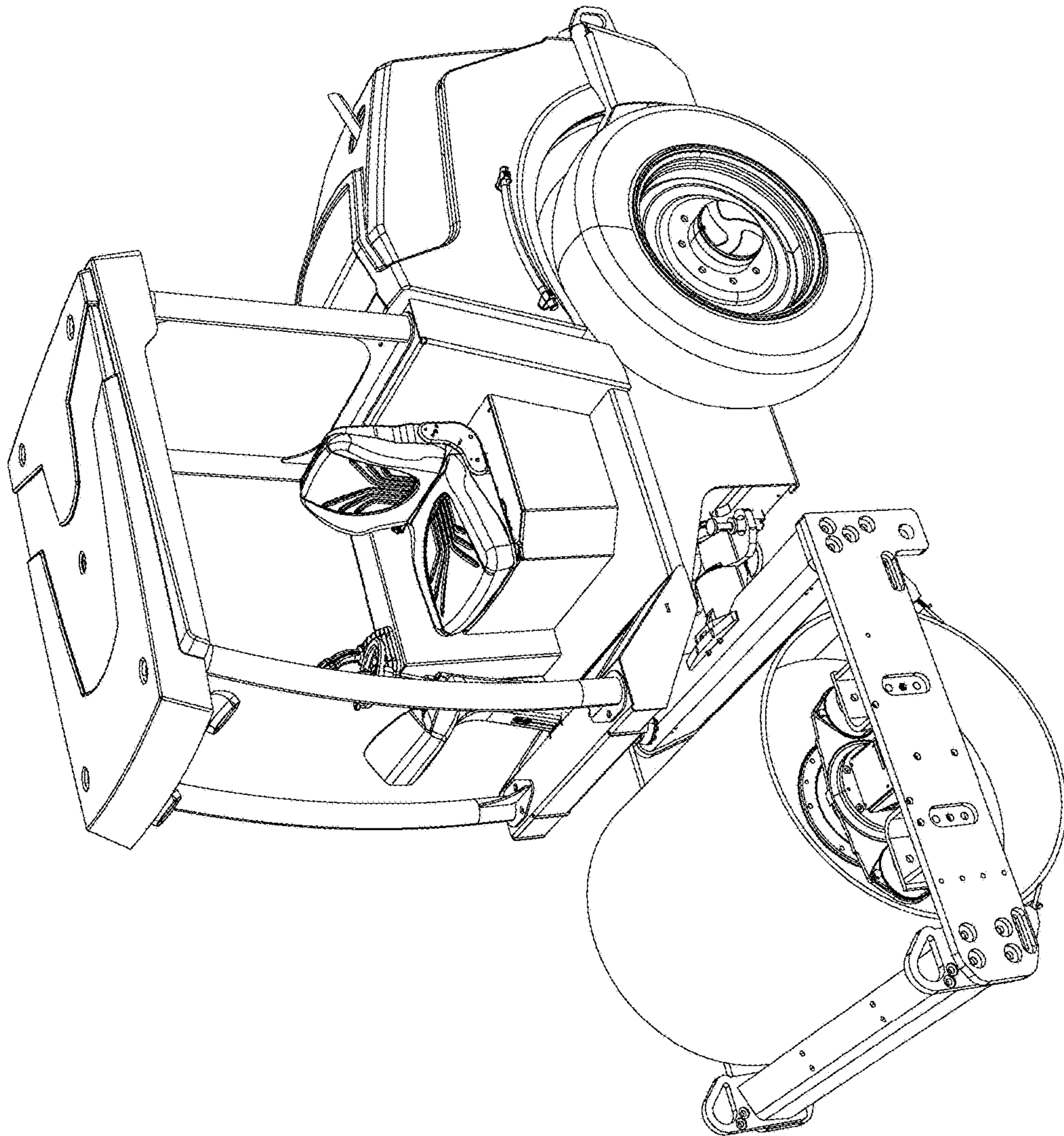


FIG. 1

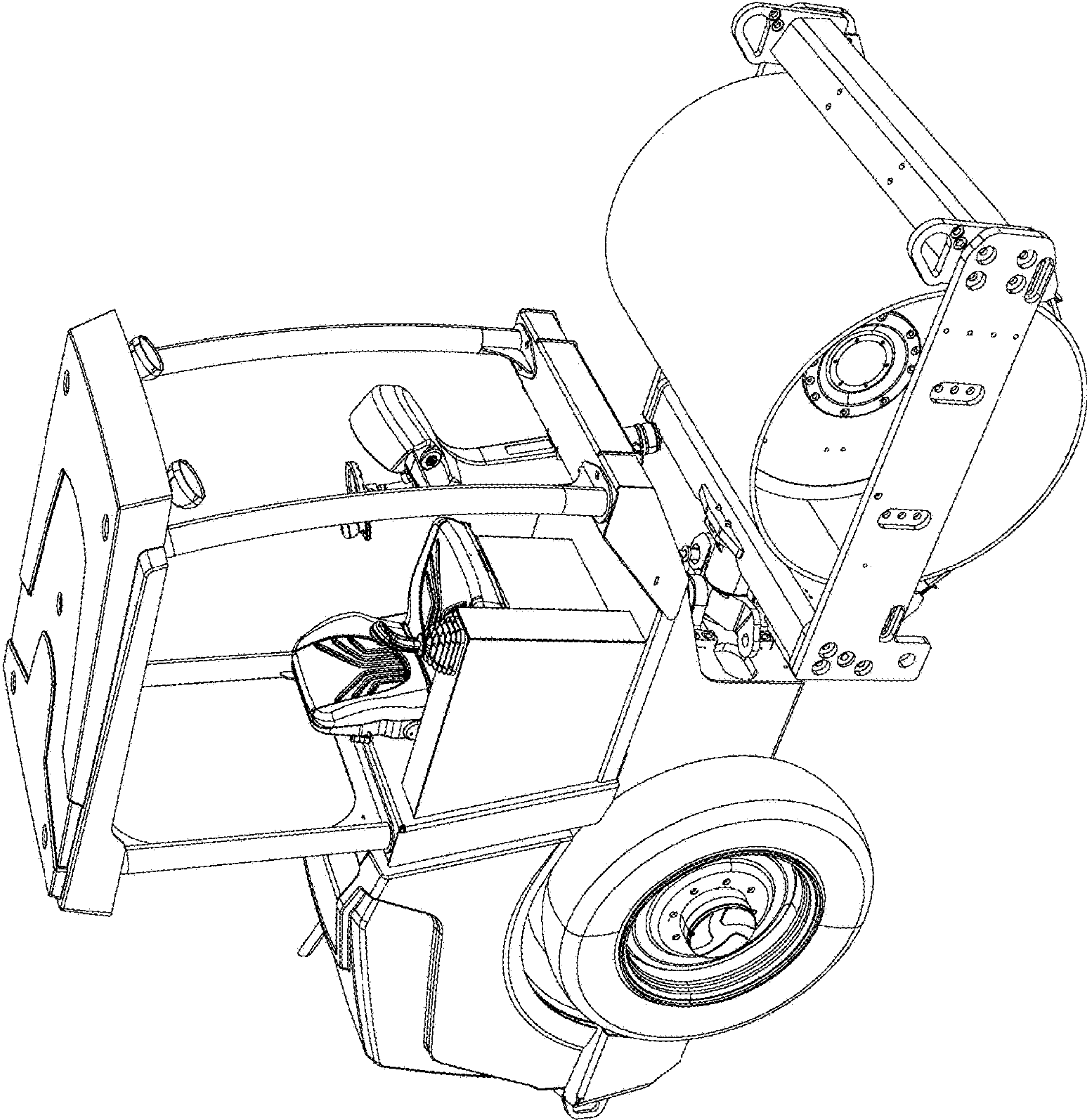


FIG. 2

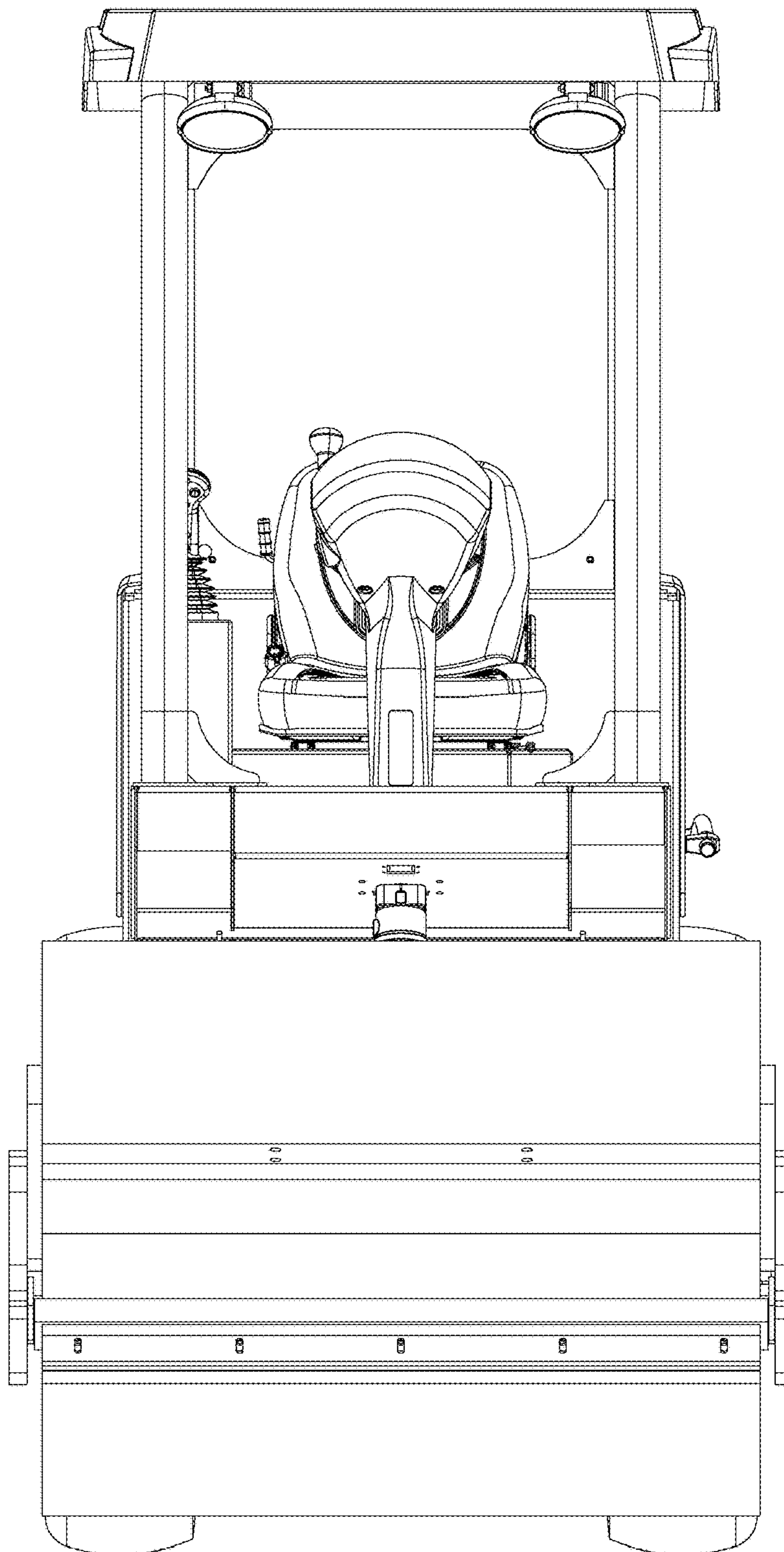


FIG.3

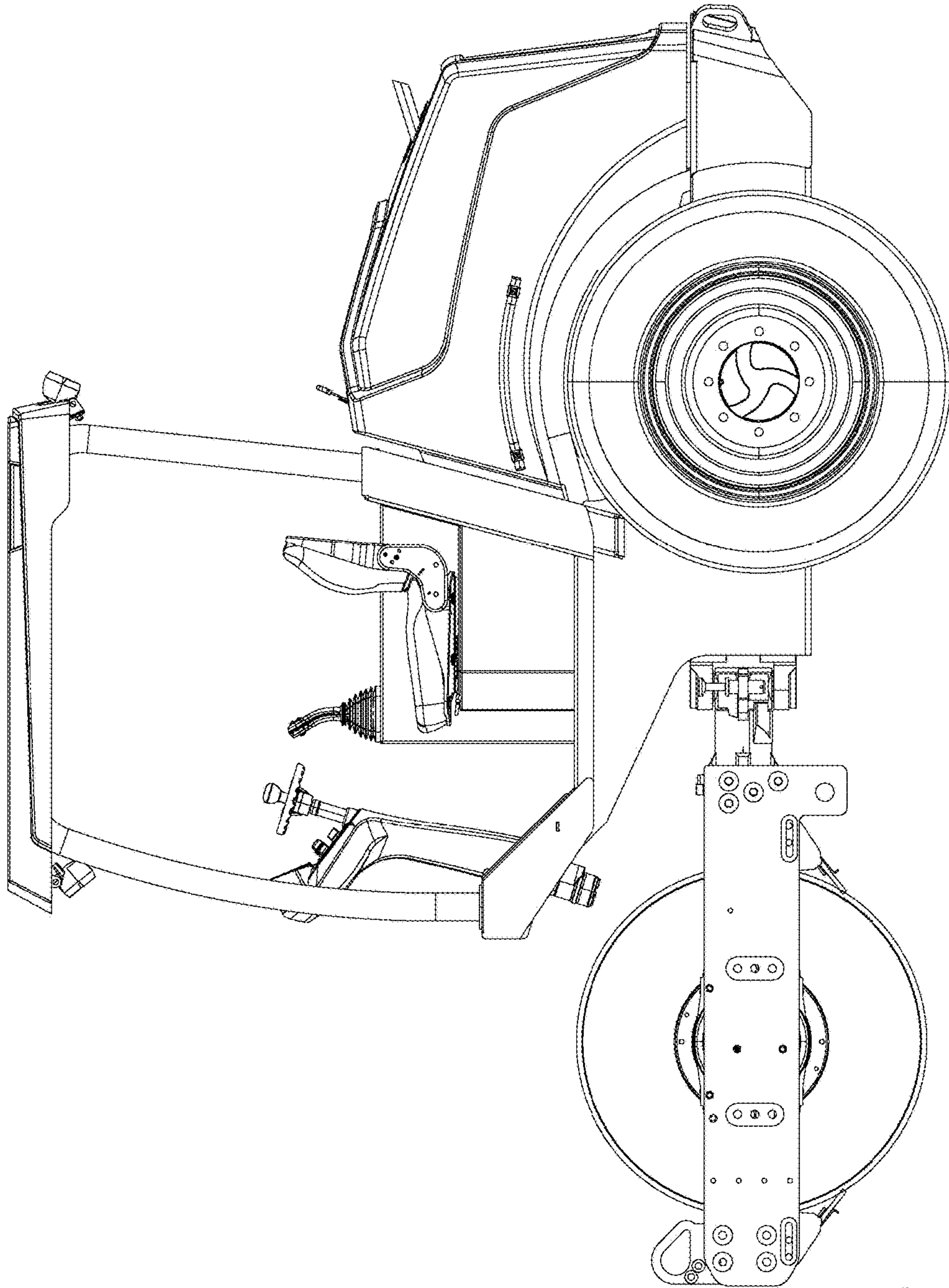


FIG. 4

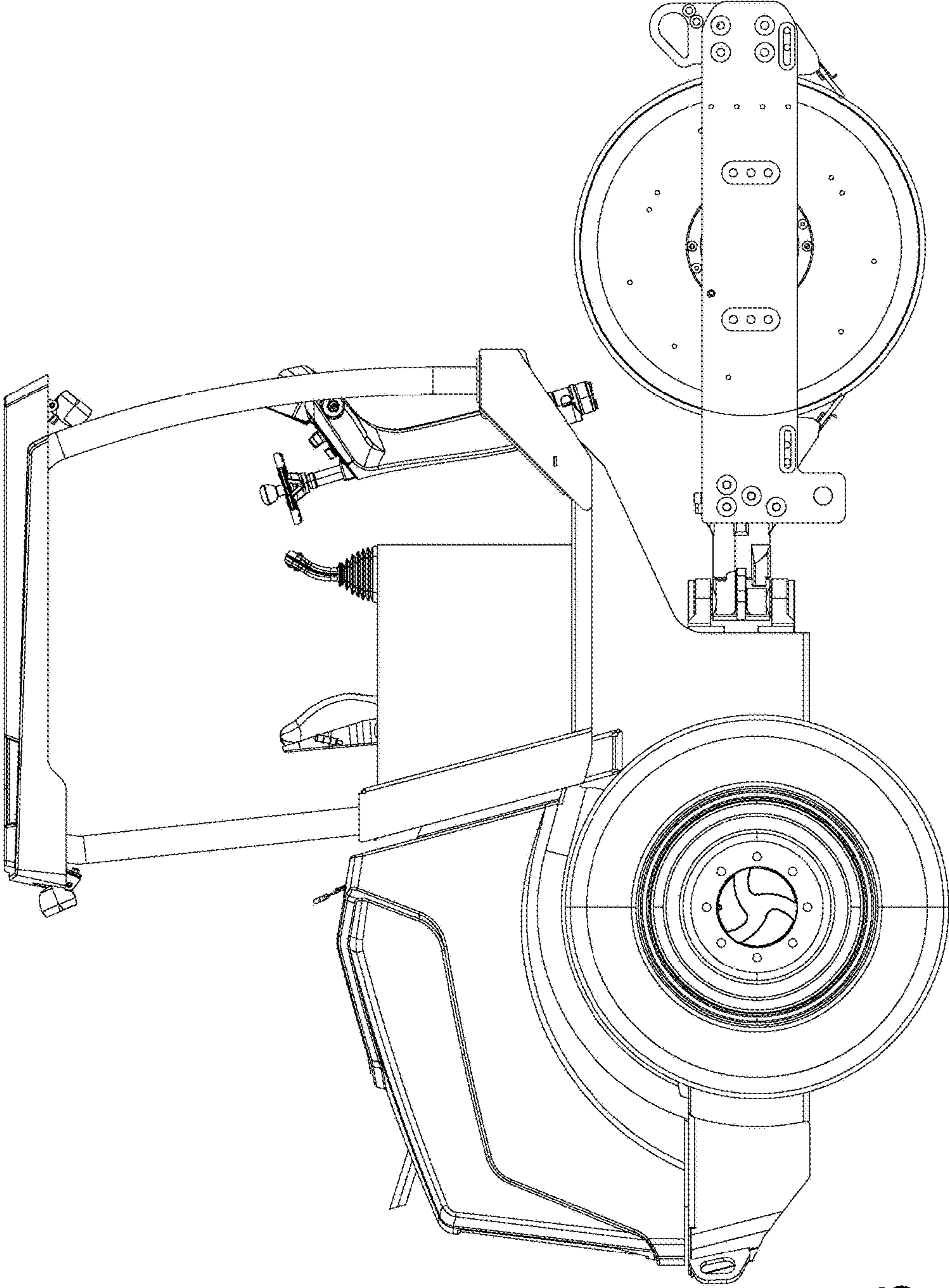


FIG. 5

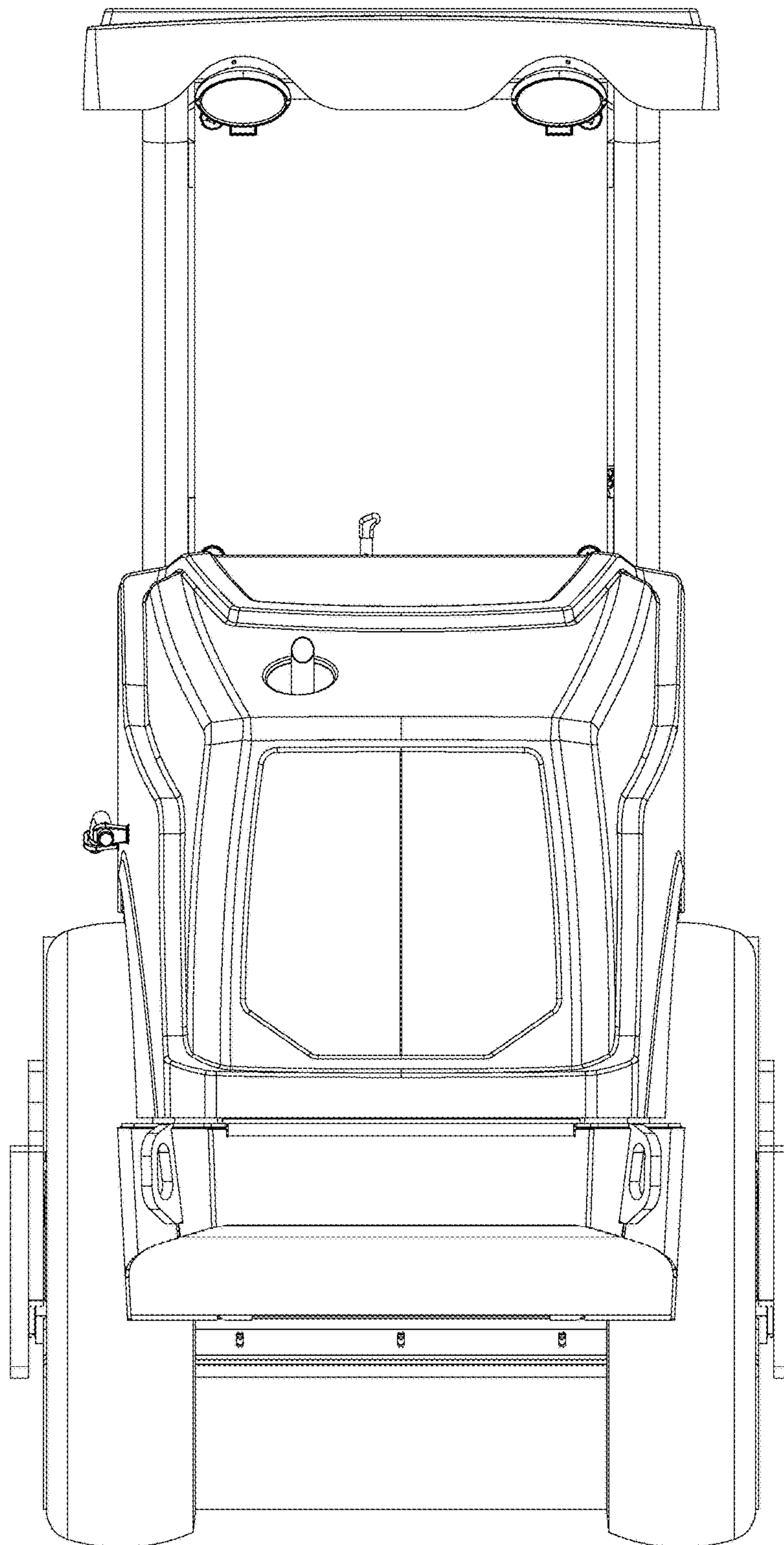


FIG. 6

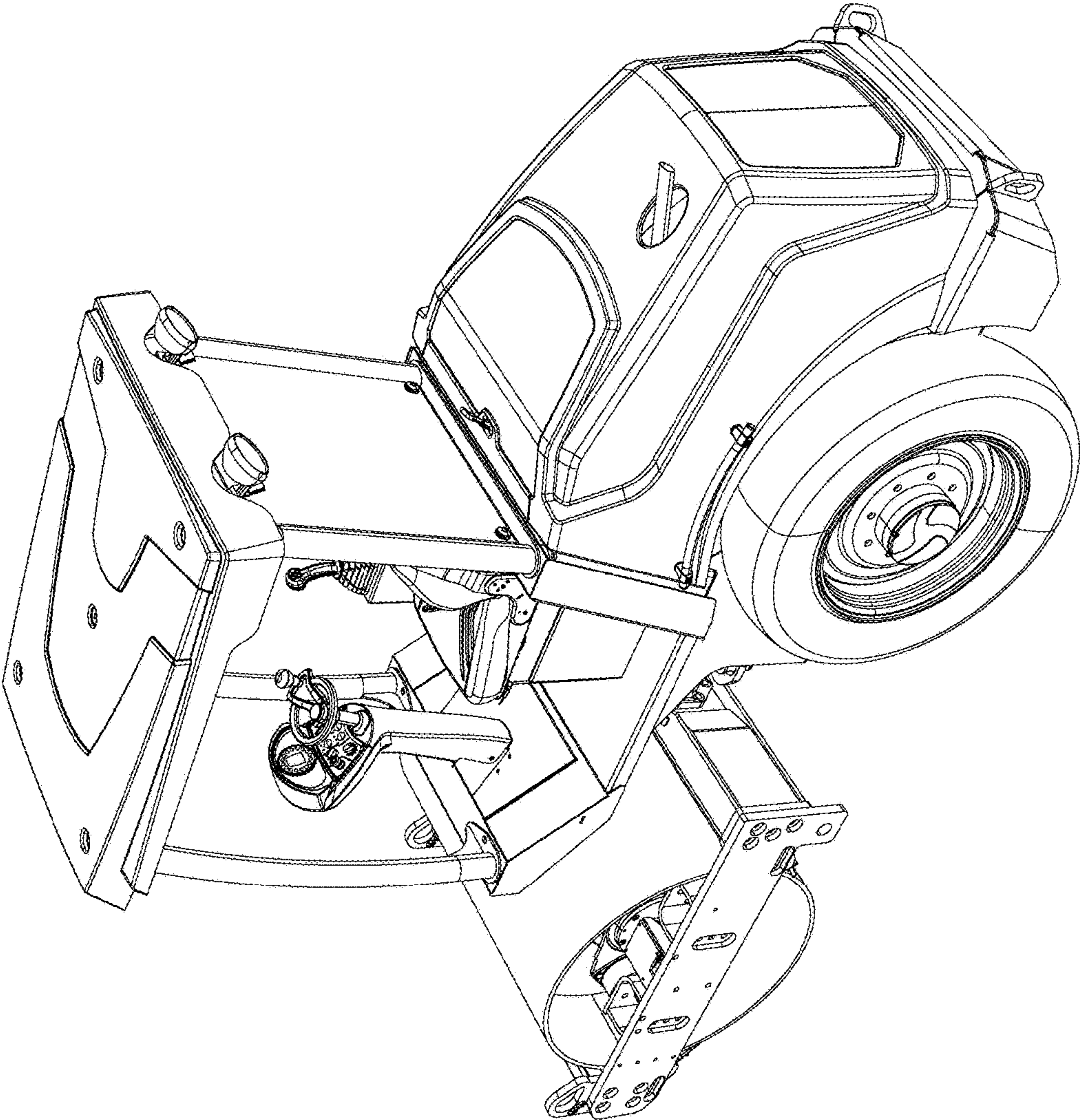


FIG. 7

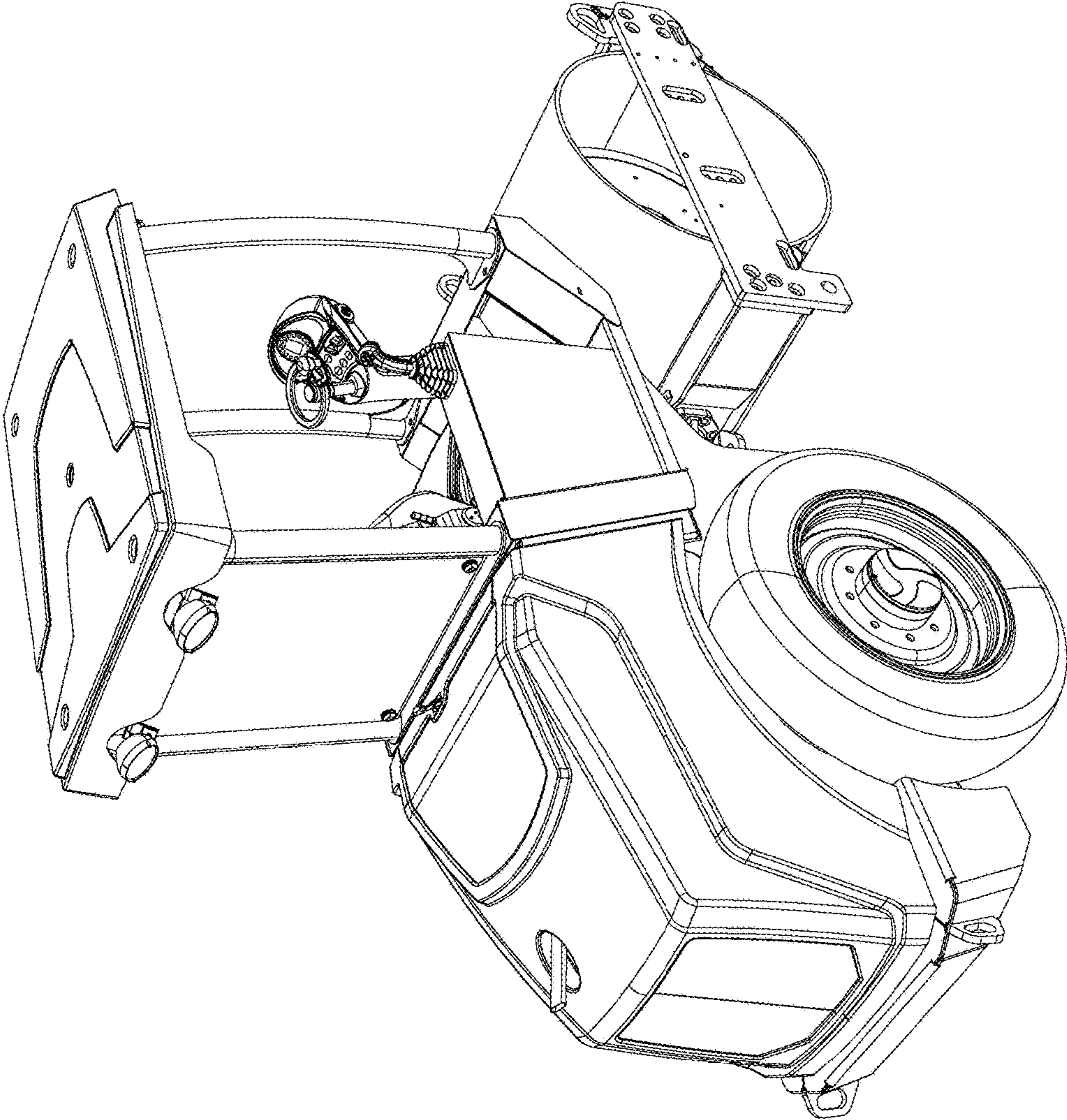


FIG. 8

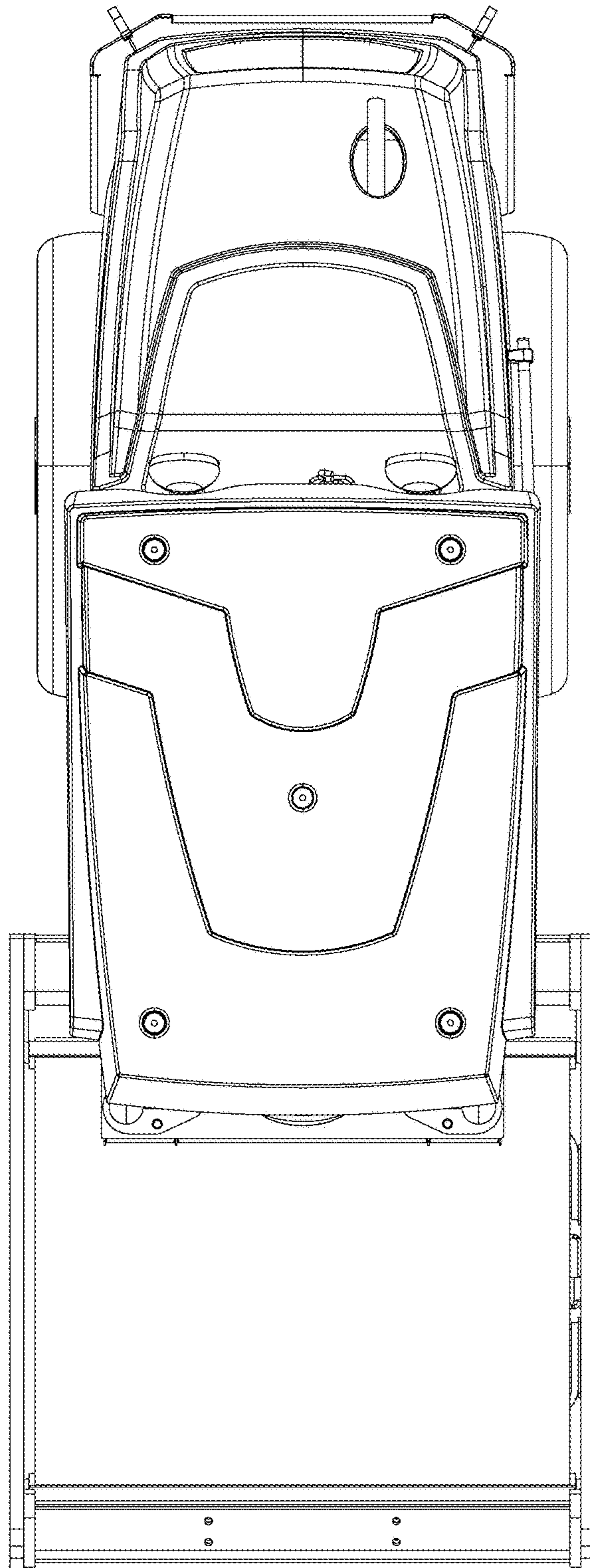


FIG. 9

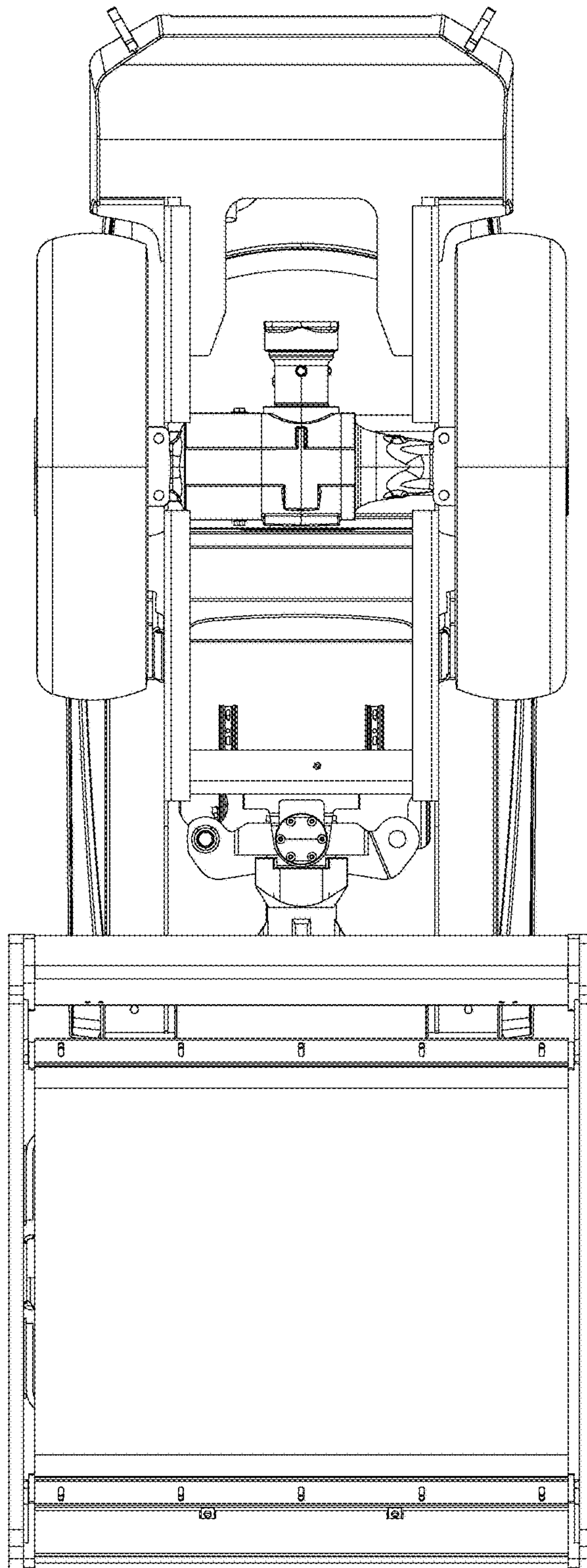


FIG. 10