



US00D853449S

(12) **United States Design Patent**  
**Mehra et al.**

(10) **Patent No.:** **US D853,449 S**  
(45) **Date of Patent:** **\*\* Jul. 9, 2019**

- (54) **ROBOTIC LAWNMOWER**
- (71) Applicant: **HUSQVARNA AB**, Huskvarna (SE)
- (72) Inventors: **Rajinder Mehra**, Johanneshov (SE);  
**Jon Westberg**, Stockholm (SE)
- (73) Assignee: **HUSQVARNA AB**, Huskvarna (SE)
- (\*\*) Term: **15 Years**
- (21) Appl. No.: **29/640,982**
- (22) Filed: **Mar. 19, 2018**

(30) **Foreign Application Priority Data**

Sep. 20, 2017 (EM) ..... 004363620-0006  
 Sep. 20, 2017 (EM) ..... 004363620-0007

- (51) **LOC (11) Cl.** ..... **15-03**
- (52) **U.S. Cl.**  
USPC ..... **D15/14; D15/17**

- (58) **Field of Classification Search**  
USPC ..... D15/14, 17, 18; 56/11.9, 17.5, 13.4,  
56/12.8, 16.7, 202, 255, 294, 295, 320.1,  
56/320.2; 180/900, 89.1, 89.12  
CPC .... A01D 34/008; A01D 34/81; A01D 34/416;  
A01D 34/4166; A01D 34/4167; A01D  
34/87; A01D 34/90; B60L 1/003; B60L  
3/0061; B60L 11/1803; B60L 11/1805;  
B60L 11/1877; B60L 15/20; B60L  
2260/28; B60L 2200/40; B60L 2220/16;  
B60L 2220/46; B60L 2240/36; B60L  
2240/421; A01G 3/04; A01G 3/0435  
See application file for complete search history.

(56) **References Cited**

**U.S. PATENT DOCUMENTS**

D420,365 S \* 2/2000 Gunnar ..... D15/14  
 D451,931 S \* 12/2001 Abramson ..... D15/14

D504,901 S \* 5/2005 Wickstrom ..... D15/14  
 D559,867 S \* 1/2008 Abramson ..... D15/14  
 D652,431 S \* 1/2012 Naslund ..... D15/14  
 D656,163 S \* 3/2012 Johansson ..... D15/14  
 D678,352 S \* 3/2013 Maeda ..... D15/14  
 D679,294 S \* 4/2013 Tajik ..... D15/14  
 D679,295 S \* 4/2013 Tajik ..... D15/14  
 D681,065 S \* 4/2013 Maeda ..... D15/14  
 D688,276 S \* 8/2013 Naslund ..... D15/14  
 D718,339 S \* 11/2014 Damshak ..... D15/14  
 D729,280 S \* 5/2015 Naslund ..... D15/14  
 D745,897 S \* 12/2015 Mehra ..... D15/14  
 D781,926 S \* 3/2017 Al-Hashimi ..... D15/14

\* cited by examiner

*Primary Examiner* — Mark A Goodwin

(74) *Attorney, Agent, or Firm* — Burr Forman McNair

(57) **CLAIM**

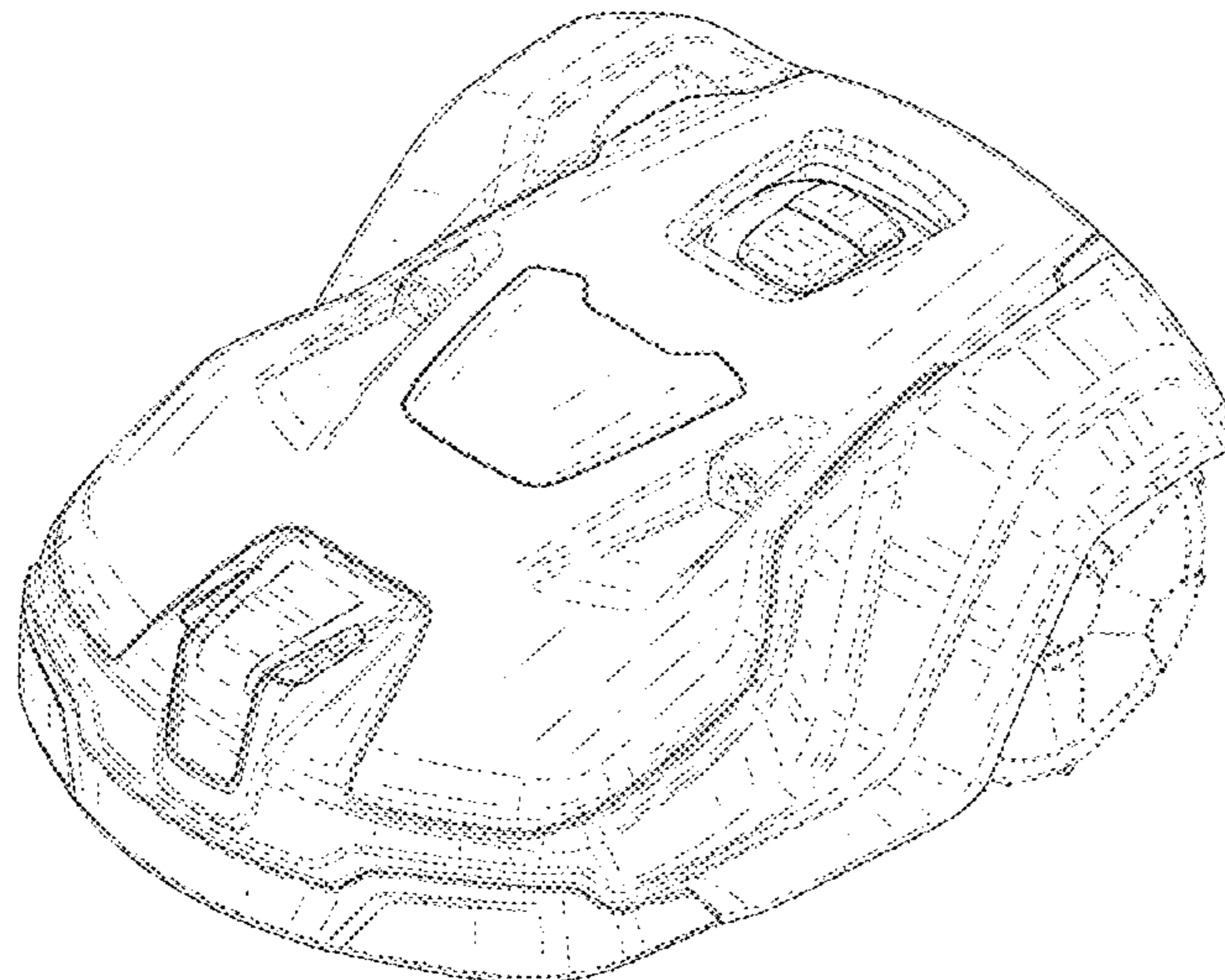
The ornamental design for the robotic lawnmower, as shown and described.

**DESCRIPTION**

FIG. 1 is a perspective view of a robotic lawnmower in accordance with an embodiment of the present invention; FIG. 2 is a front view of the robotic lawnmower of FIG. 1; FIG. 3 is a rear view of the robotic lawnmower of FIG. 1; FIG. 4 is a left side view of the robotic lawnmower of FIG. 1; FIG. 5 is a right side view of the robotic lawnmower of FIG. 1; FIG. 6 is a top side view of the robotic lawnmower of FIG. 1; and, FIG. 7 is a bottom view of the robotic lawnmower of FIG. 1.

The broken lines of the robotic lawnmower in FIGS. 1-7 are illustrative of the visible environmental structure of the robotic lawnmower and form no part of the claimed design.

**1 Claim, 6 Drawing Sheets**



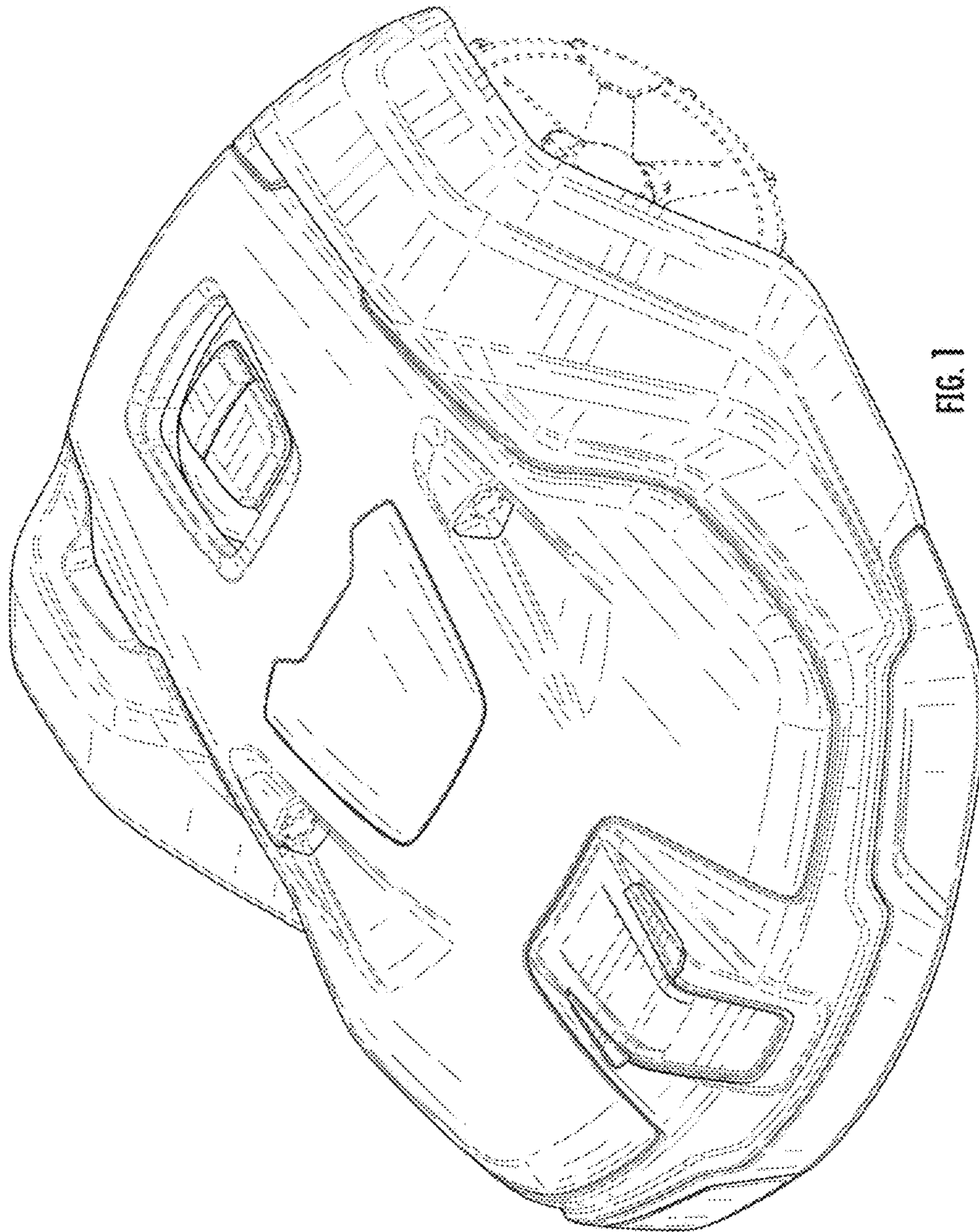


FIG. 1

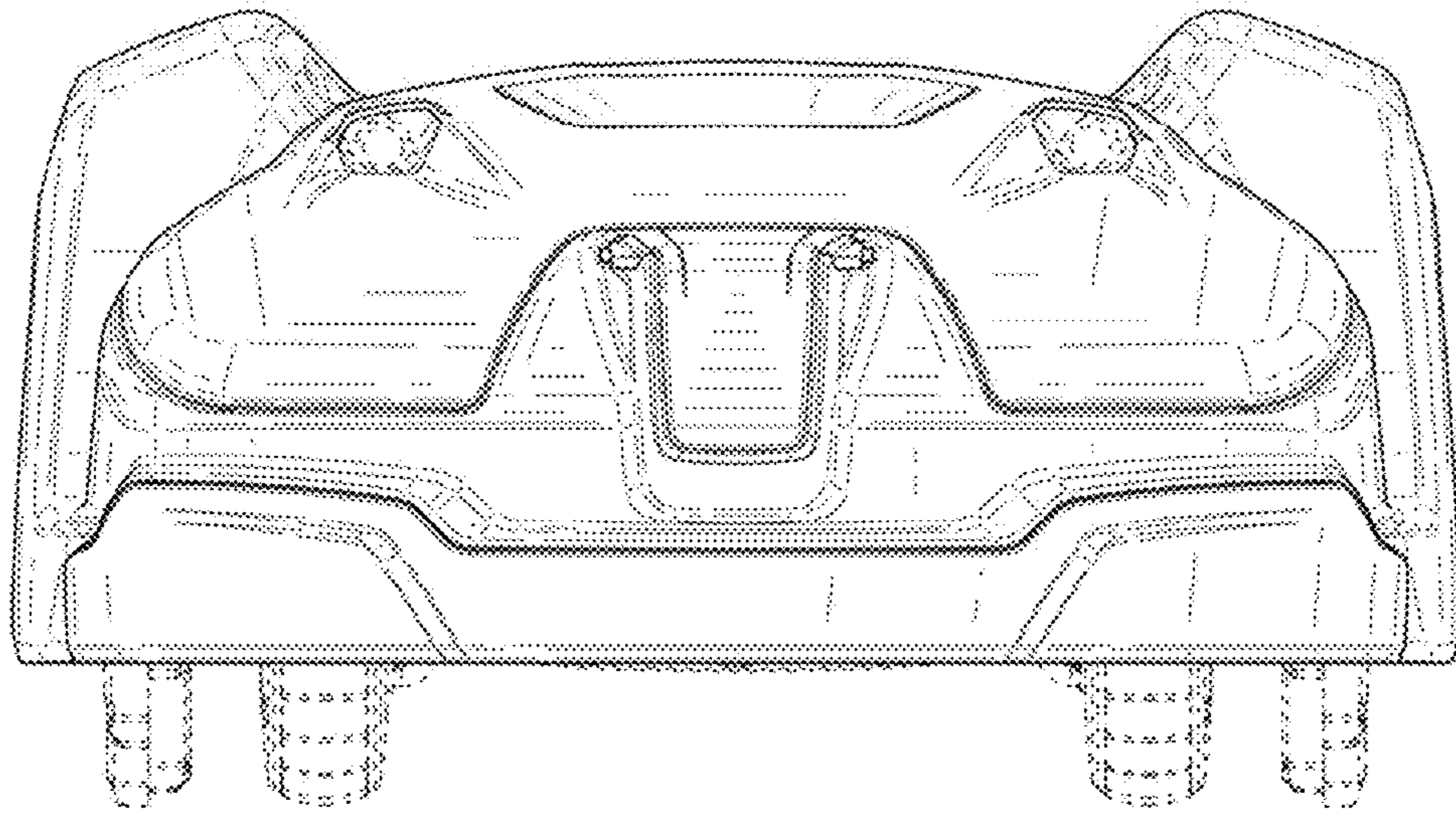


FIG. 2

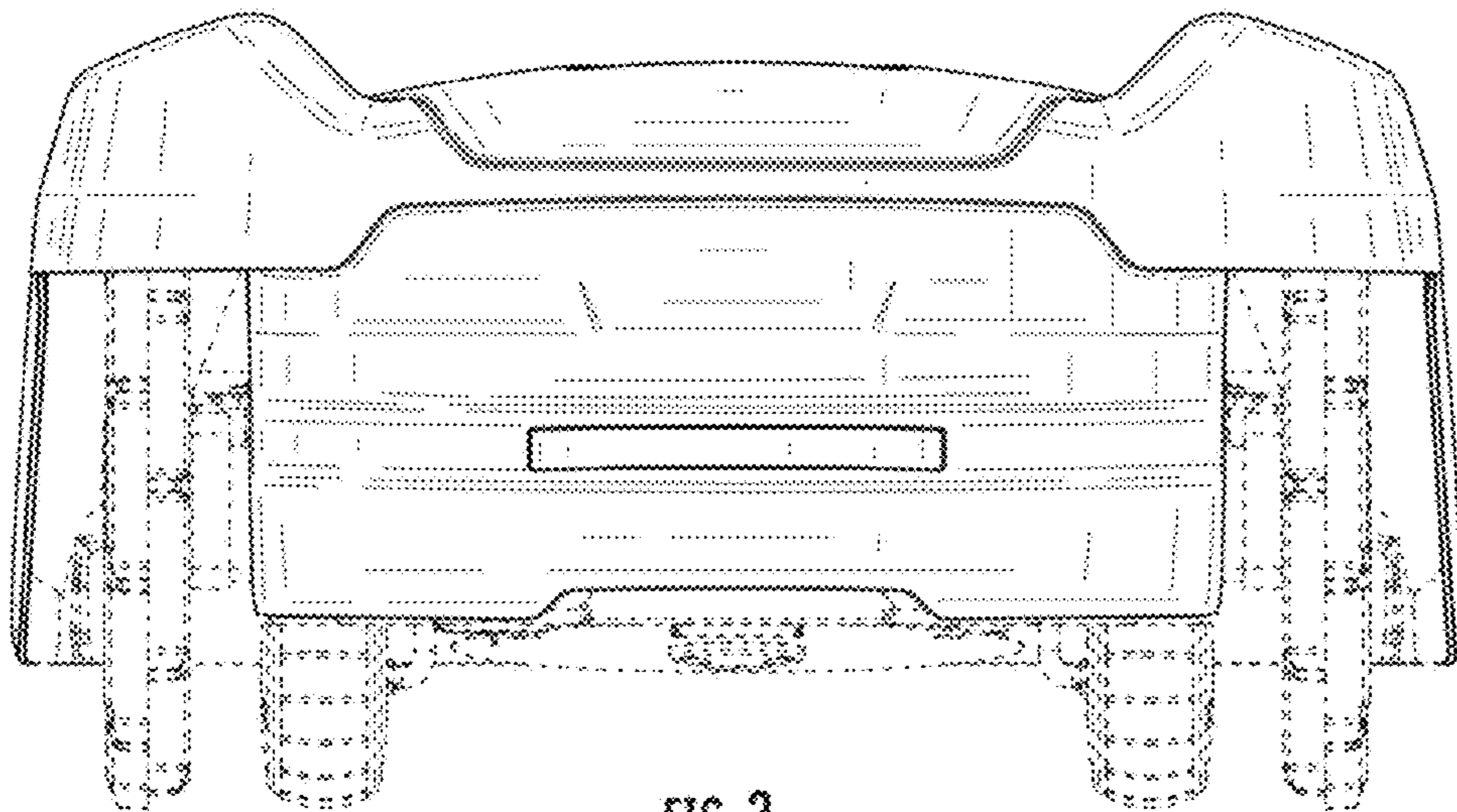


FIG. 3

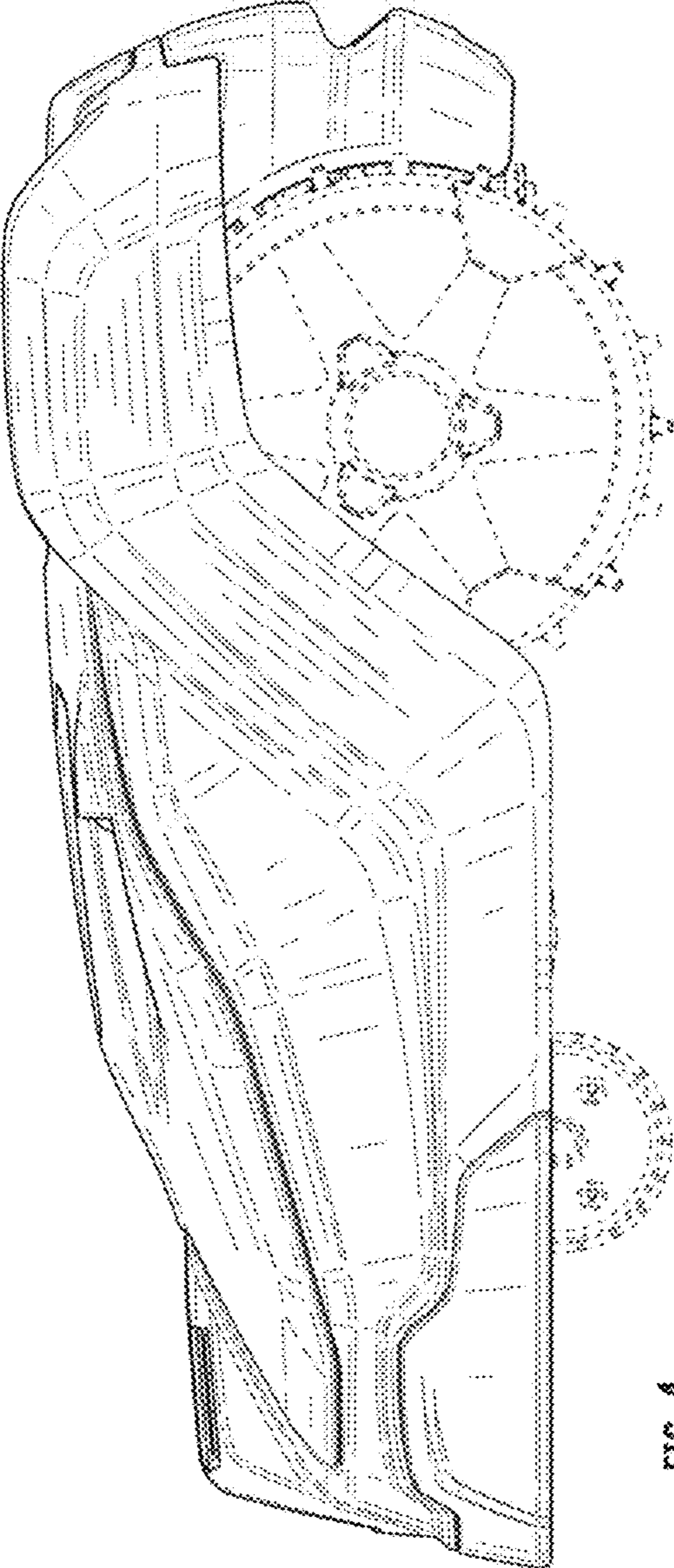


FIG. 4

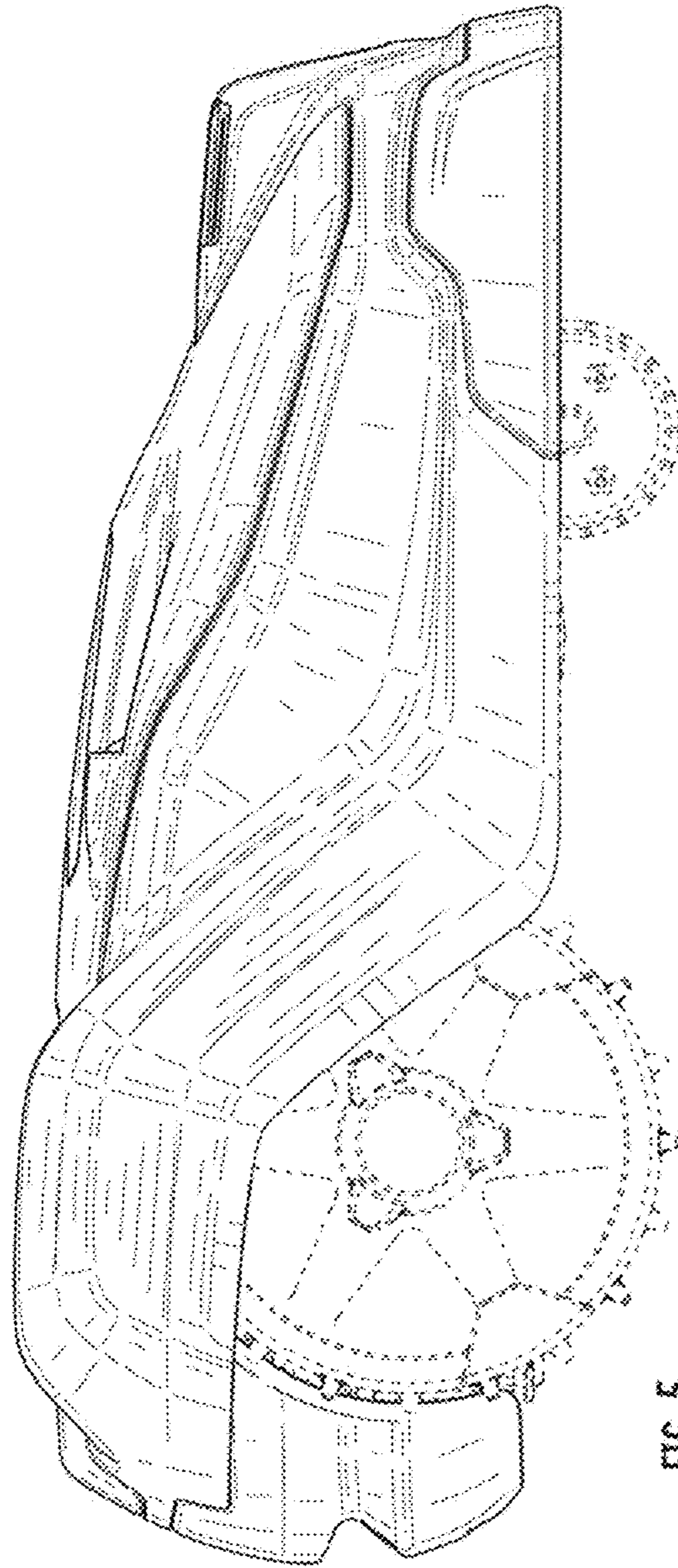


FIG. 5

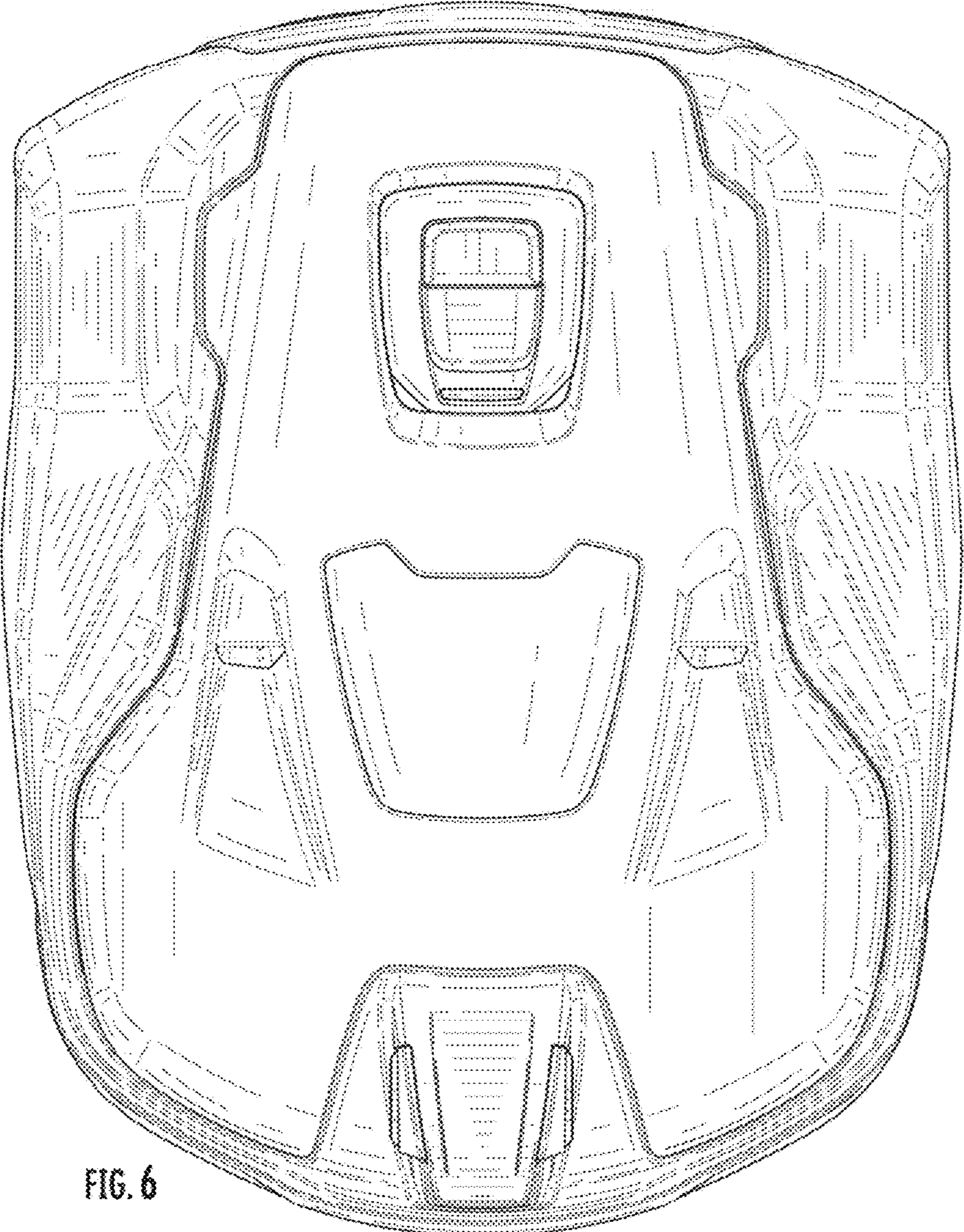


FIG. 6

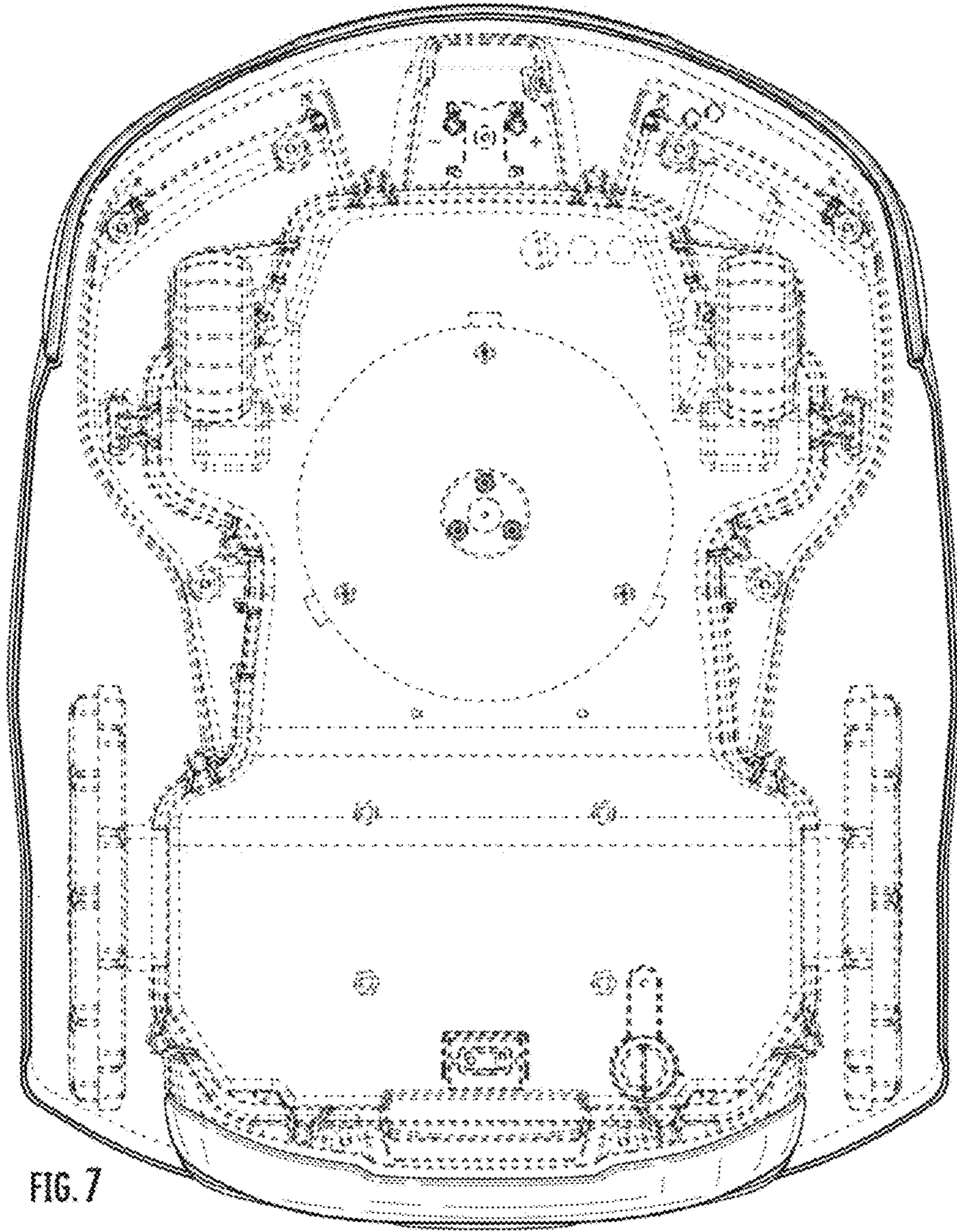


FIG. 7