



US00D853448S

(12) **United States Design Patent** (10) **Patent No.:** **US D853,448 S**
Mehra et al. (45) **Date of Patent:** **** Jul. 9, 2019**

(54) **ROBOTIC LAWNMOWER**

(71) Applicant: **HUSQVARNA AB**, Huskvarna (SE)

(72) Inventors: **Rajinder Mehra**, Johanneshov (SE);
Jon Westberg, Stockholm (SE)

(73) Assignee: **HUSQVARNA AB**, Huskvarna (SE)

(**) Term: **15 Years**

(21) Appl. No.: **29/640,972**

(22) Filed: **Mar. 19, 2018**

(30) **Foreign Application Priority Data**

Sep. 20, 2017 (EM) 004363620-0004

(51) **LOC (11) Cl.** **15-03**

(52) **U.S. Cl.**
USPC **D15/14; D15/17**

(58) **Field of Classification Search**

USPC D15/14, 17, 18; 56/11.9, 17.5, 13.4,
56/12.8, 16.7, 202, 255, 294, 295, 320.1,
56/320.2; 180/900, 89.1, 89.12

CPC A01D 34/008; A01D 34/81; A01D 34/416;
A01D 34/4166; A01D 34/4167; A01D
34/87; A01D 34/90; B60L 1/003; B60L
3/0061; B60L 11/1803; B60L 11/1805;
B60L 11/1877; B60L 15/20; B60L
2260/28; B60L 2200/40; B60L 2220/16;
B60L 2220/46; B60L 2240/36; B60L
2240/421; A01G 3/04; A01G 3/0435

See application file for complete search history.

(56) **References Cited**

U.S. PATENT DOCUMENTS

D420,365 S * 2/2000 Gunnar D15/14
D451,931 S * 12/2001 Abramson D15/14

D504,901 S *	5/2005	Wickstrom	D15/14
D559,867 S *	1/2008	Abramson	D15/14
D652,431 S *	1/2012	Naslund	D15/14
D656,163 S *	3/2012	Johansson	D15/14
D678,352 S *	3/2013	Maeda	D15/14
D679,294 S *	4/2013	Tajik	D15/14
D679,295 S *	4/2013	Tajik	D15/14
D681,065 S *	4/2013	Maeda	D15/14
D688,276 S *	8/2013	Naslund	D15/14
D718,339 S *	11/2014	Damshak	D15/14
D729,280 S *	5/2015	Naslund	D15/14
D745,897 S *	12/2015	Mehra	D15/14
D781,926 S *	3/2017	Al-Hashimi	D15/14

* cited by examiner

Primary Examiner — Mark A Goodwin

(74) *Attorney, Agent, or Firm* — Burr Forman McNair

(57) **CLAIM**

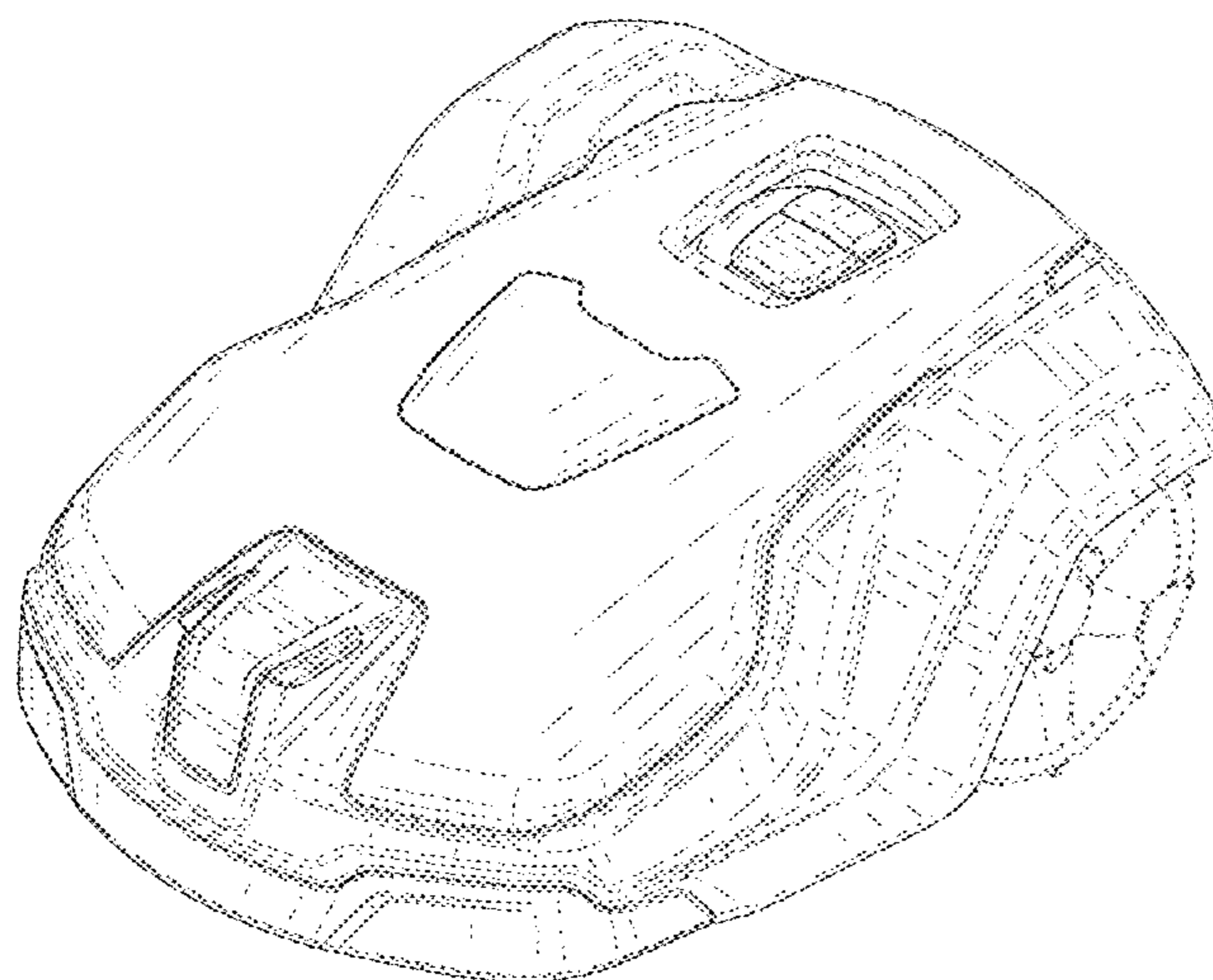
The ornamental design for the robotic lawnmower, as shown and described.

DESCRIPTION

FIG. 1 is a perspective view of a robotic lawnmower in accordance with an embodiment of the present invention; FIG. 2 is a front view of the robotic lawnmower of FIG. 1; FIG. 3 is a rear view of the robotic lawnmower of FIG. 1; FIG. 4 is a left side view of the robotic lawnmower of FIG. 1; FIG. 5 is a right side view of the robotic lawnmower of FIG. 1; FIG. 6 is a top side view of the robotic lawnmower of FIG. 1; and, FIG. 7 is a bottom view of the robotic lawnmower of FIG. 1.

The broken lines of the robotic lawnmower in FIGS. 1-7 are illustrative of the visible environmental structure of the robotic lawnmower and form no part of the claimed design.

1 Claim, 6 Drawing Sheets



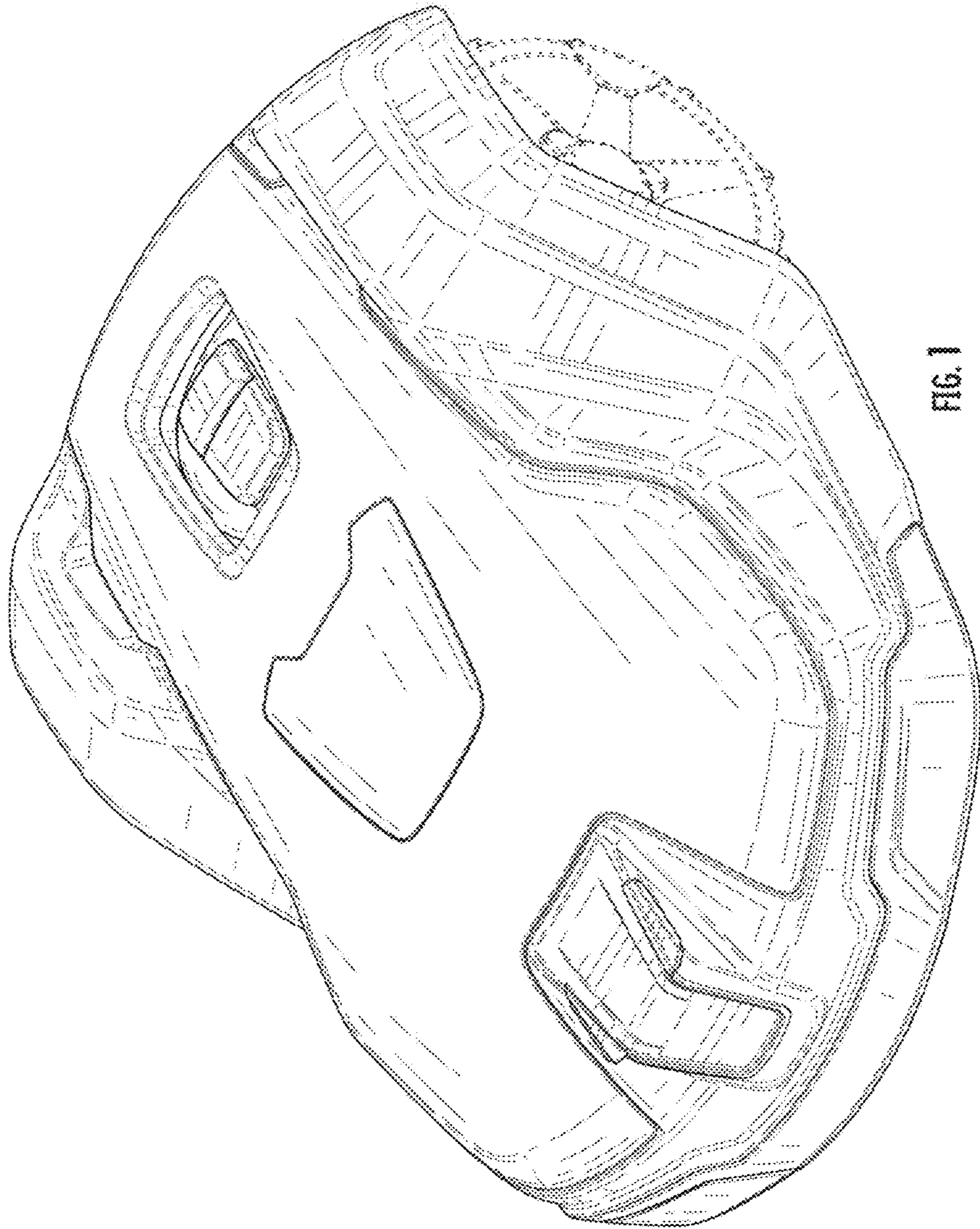


FIG. 1

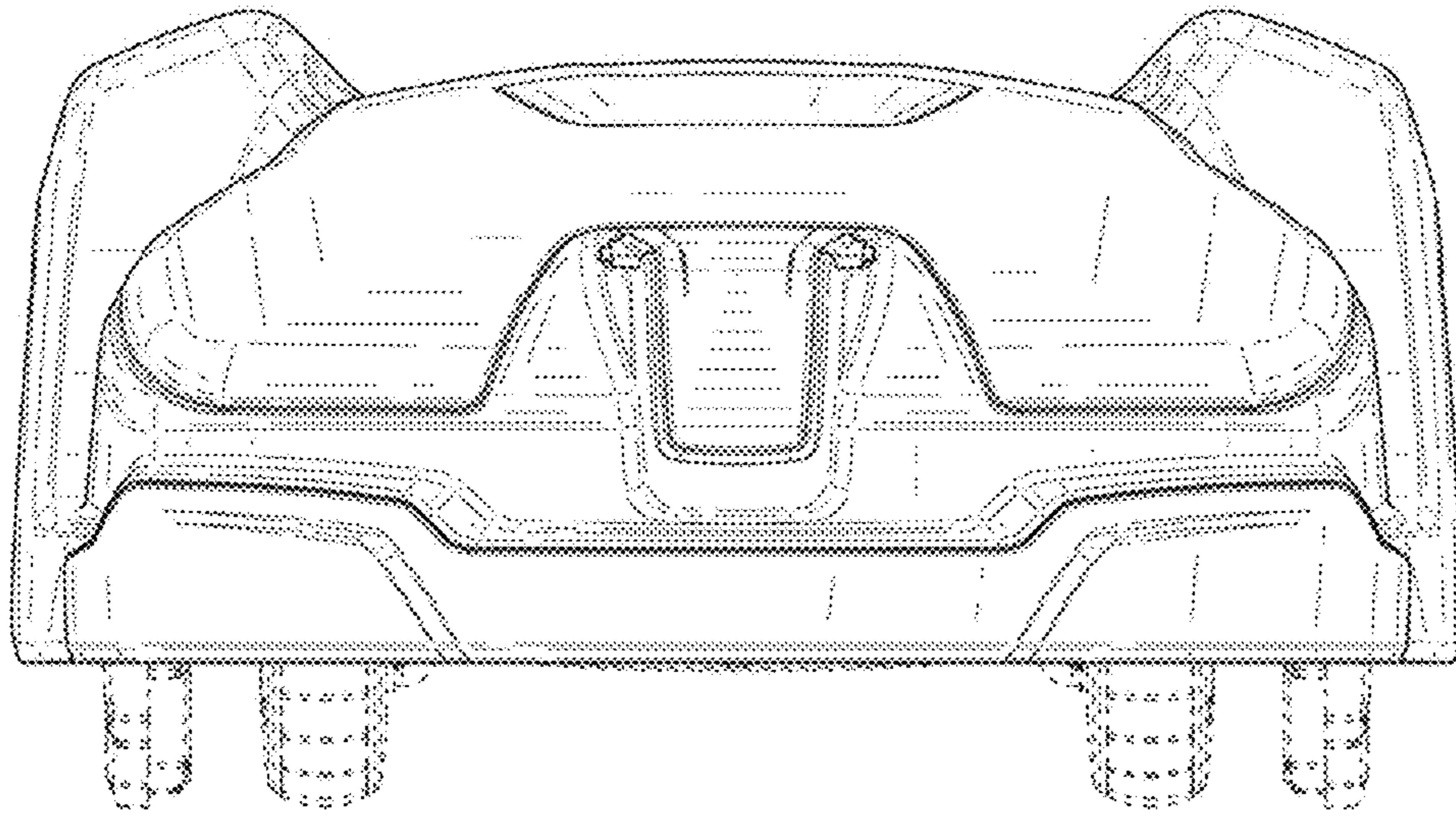


FIG. 2

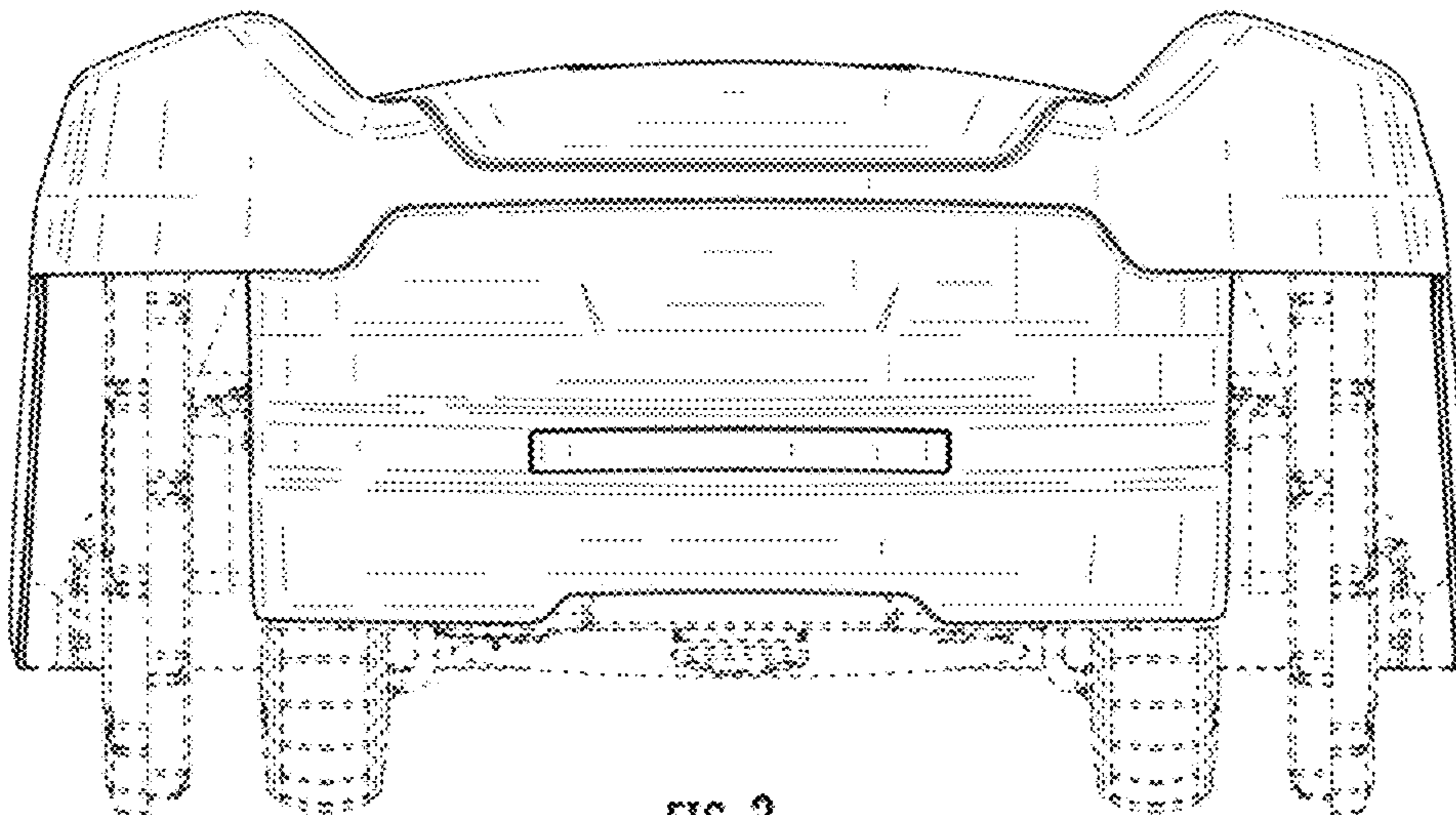


FIG. 3

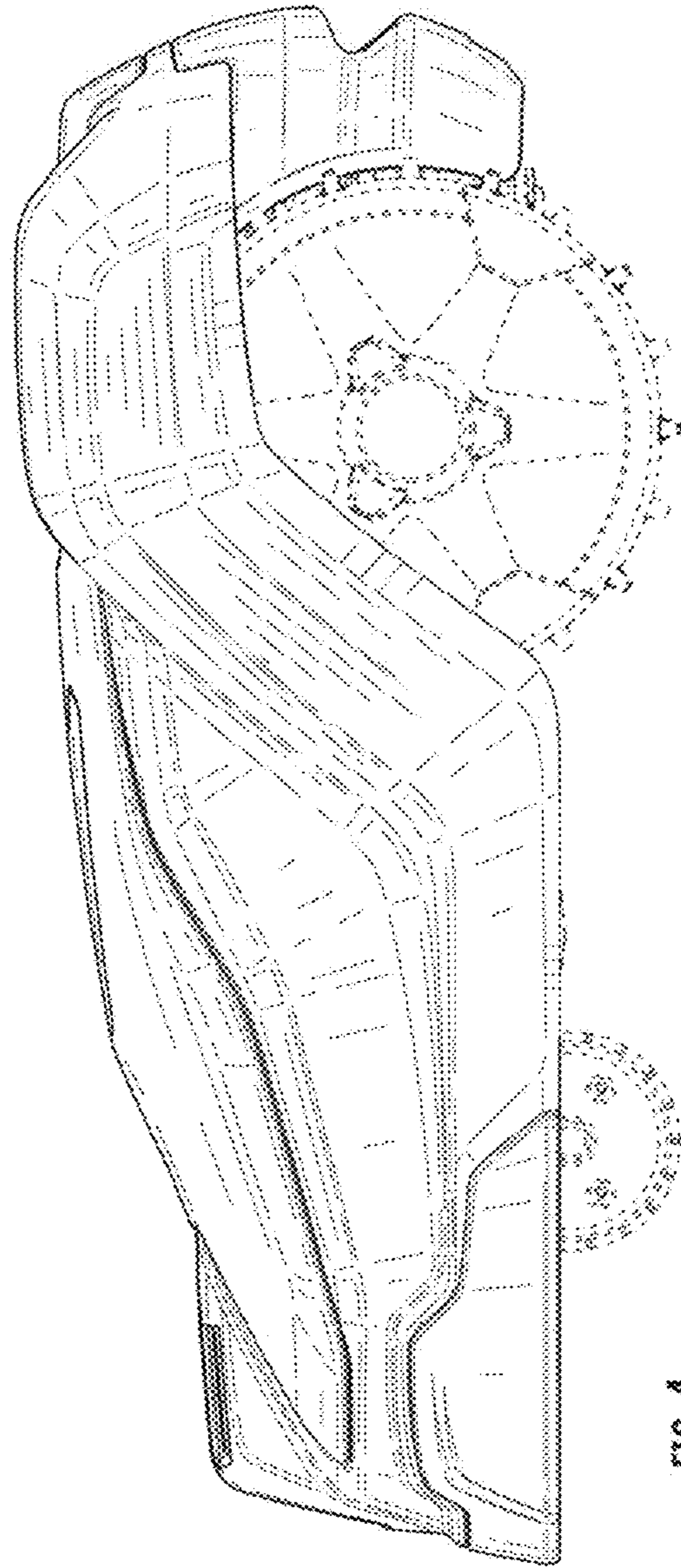


FIG. 4

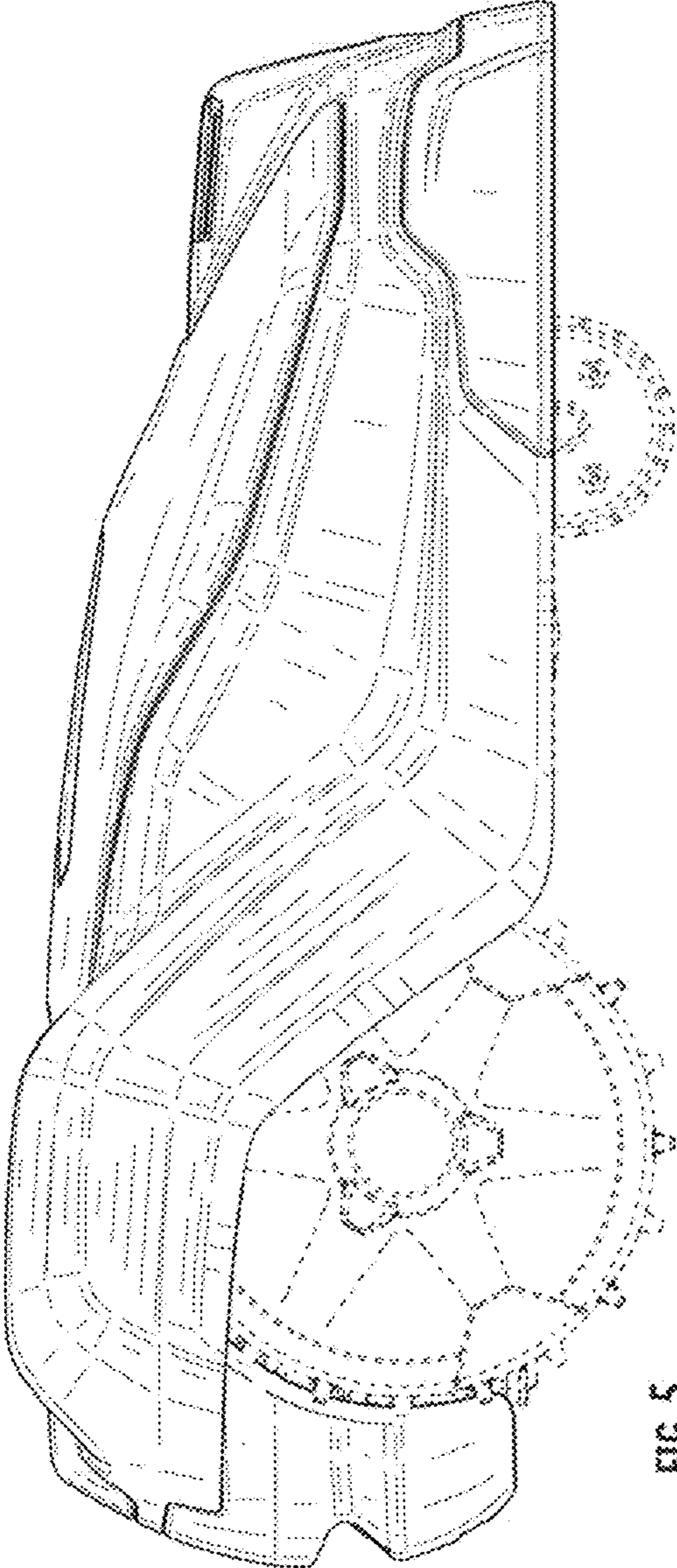


FIG. 5

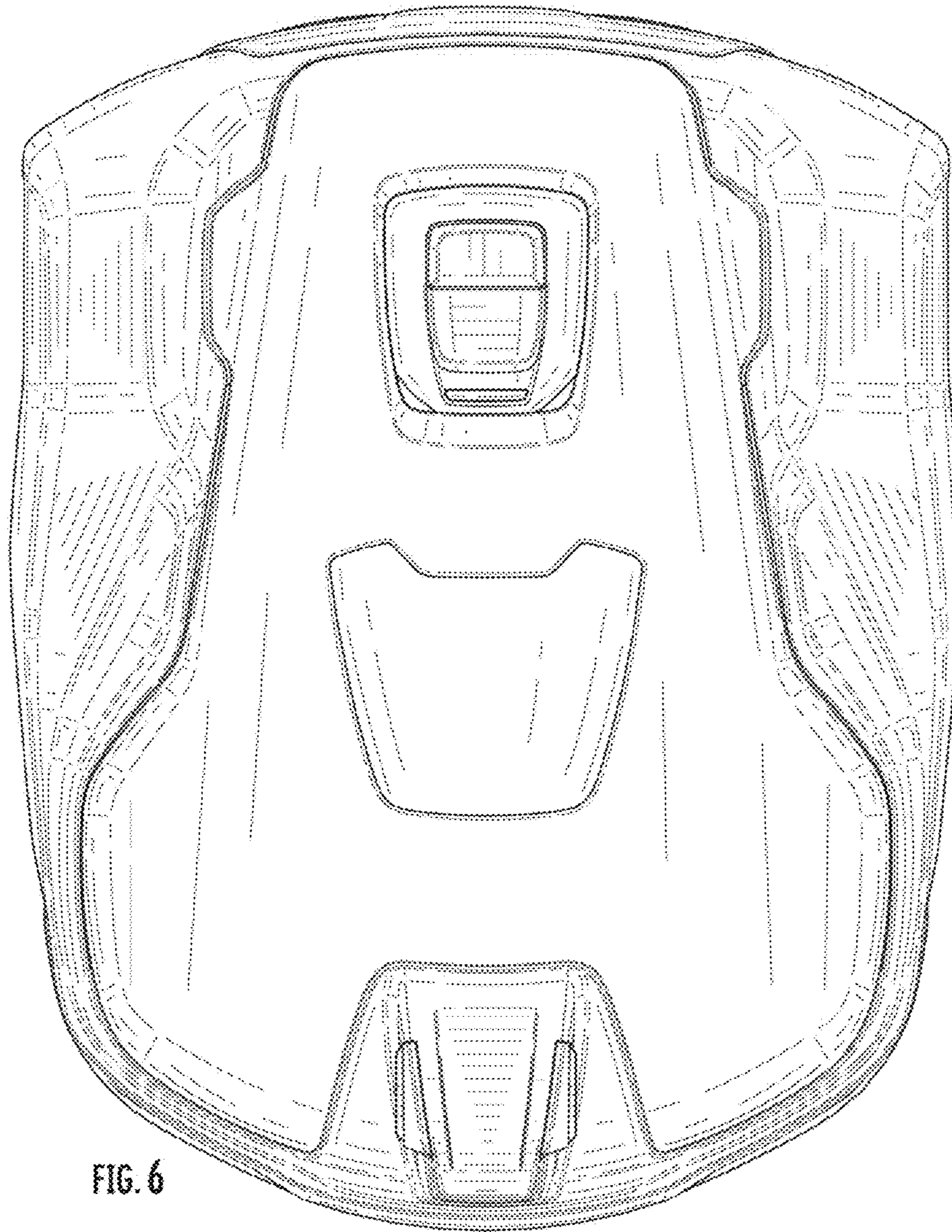


FIG. 6

