



US00D853446S

(12) **United States Design Patent** (10) **Patent No.:** **US D853,446 S**
Horeth et al. (45) **Date of Patent:** **** Jul. 9, 2019**

(54) **CONTROLLED-RELEASE SPREADER**
(71) Applicant: **Chapin Manufacturing, Inc.**, Batavia, NY (US)
(72) Inventors: **Edward Horeth**, Rochester, NY (US); **David Dubiel**, N. Chili, NY (US)
(73) Assignee: **Chapin Manufacturing, Inc.**, Batavia, NY (US)
(**) Term: **15 Years**
(21) Appl. No.: **29/646,903**
(22) Filed: **May 8, 2018**
(51) **LOC (11) Cl.** **15-03**
(52) **U.S. Cl.**
USPC **D15/13**
(58) **Field of Classification Search**
USPC D15/11, 13, 14, 16, 17, 18, 21, 27, 28; 222/625, 502, 45, 228, 162, 174, 614, 222/624, 650, 608; 239/681-689, 666, 239/663, 650, 652, 655, 664, 665
CPC E01C 19/2005; E01C 19/20; E01C 2019/206; E01H 10/007; B05B 9/007; A01C 7/02; A01C 15/02; A01C 17/008; A01G 29/00
See application file for complete search history.

(56) **References Cited**
U.S. PATENT DOCUMENTS
2,661,955 A * 12/1953 Sherer A01C 17/00 222/136
4,032,074 A * 6/1977 Amerine A01C 15/008 222/623
4,381,080 A * 4/1983 van der Lely A01C 17/00 239/666
4,496,265 A * 1/1985 Fragale E01C 19/185 404/110
D282,931 S * 3/1986 Doering D15/13

4,580,730 A * 4/1986 Amerine A01C 17/00 239/683
D284,666 S * 7/1986 Amerine D15/13
D338,893 S * 8/1993 Simpson D15/13
5,501,405 A * 3/1996 Doornek A01C 15/007 239/683
D368,914 S * 4/1996 Pink D15/13
5,524,558 A * 6/1996 Pierzchalski A01C 15/122 111/170
5,570,814 A * 11/1996 Havlovitz A01C 15/02 222/235
D376,155 S * 12/1996 Havlovitz D15/13
5,615,973 A * 4/1997 Campbell E01C 19/405 404/108
D402,670 S * 12/1998 Becker D15/13
D413,903 S * 9/1999 Spear D15/13
D413,904 S * 9/1999 Spear D15/13
D414,783 S * 10/1999 Spear D15/13
6,138,927 A * 10/2000 Spear A01C 15/02 239/666

(Continued)

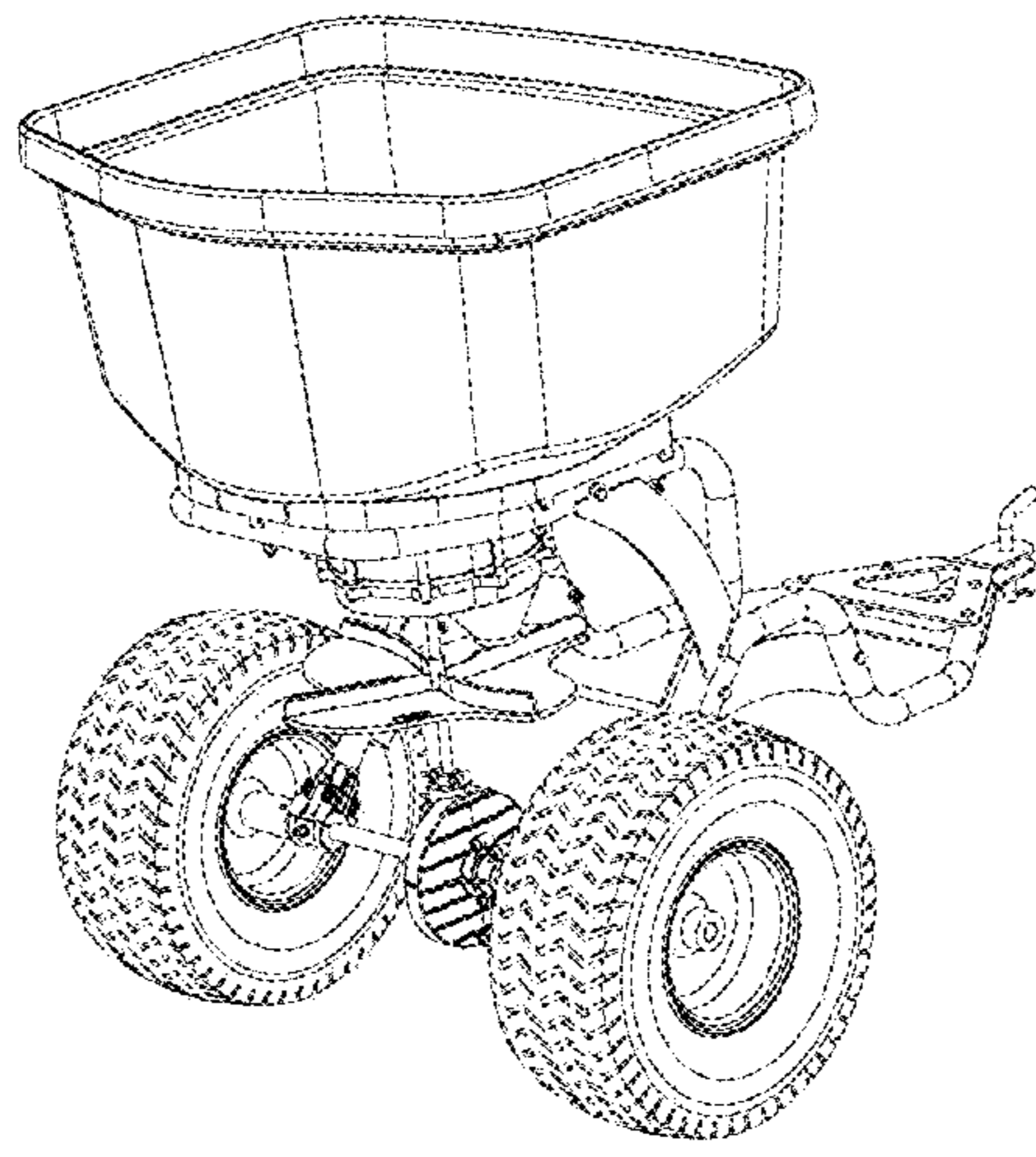
Primary Examiner — Mark A Goodwin
(74) *Attorney, Agent, or Firm* — Woods Oviatt Gilman LLP; Katherine H. McGuire, Esq.

(57) **CLAIM**
The ornamental design for the controlled-release spreader, as shown and described.

DESCRIPTION

FIG. 1 is a perspective view of a controlled-release spreader of our new design;
FIG. 2 is a back view thereof;
FIG. 3 is a front view thereof;
FIG. 4 is a left side view thereof;
FIG. 5 is a right side view thereof;
FIG. 6 is a top view thereof; and,
FIG. 7 is a bottom view thereof.
The portions of the drawings shown in broken lines form no part of the claimed design.

1 Claim, 7 Drawing Sheets



(56)

References Cited

U.S. PATENT DOCUMENTS

6,499,679	B1 *	12/2002	Woodruff	A01C 15/02 239/650
D469,784	S *	2/2003	Bentley	D15/13
6,616,074	B2 *	9/2003	Courtney	A01C 15/008 239/666
6,945,481	B2 *	9/2005	Thompson	A01C 7/08 239/650
7,063,280	B1 *	6/2006	Bogart	A01C 17/008 239/505
D555,322	S *	11/2007	Hlady	D15/13
D602,045	S *	10/2009	Choi	D15/13
D602,046	S *	10/2009	Choi	D15/13
D610,590	S *	2/2010	Choi	D15/13
D610,591	S *	2/2010	Choi	D15/13
D623,667	S *	9/2010	Cichy	D15/13
8,056,838	B2 *	11/2011	Conner	A01C 17/006 222/625
D689,527	S *	9/2013	MacLean-Blevins	D15/13
D724,105	S *	3/2015	Kendall	D15/13
D758,454	S *	6/2016	Kendall	D15/13
D768,729	S *	10/2016	Long	D15/10
D824,428	S *	7/2018	Stewart	D15/13
D829,773	S *	10/2018	Stewart	D15/13
2008/0078850	A1 *	4/2008	Bowsher	A01C 17/008 239/687

* cited by examiner

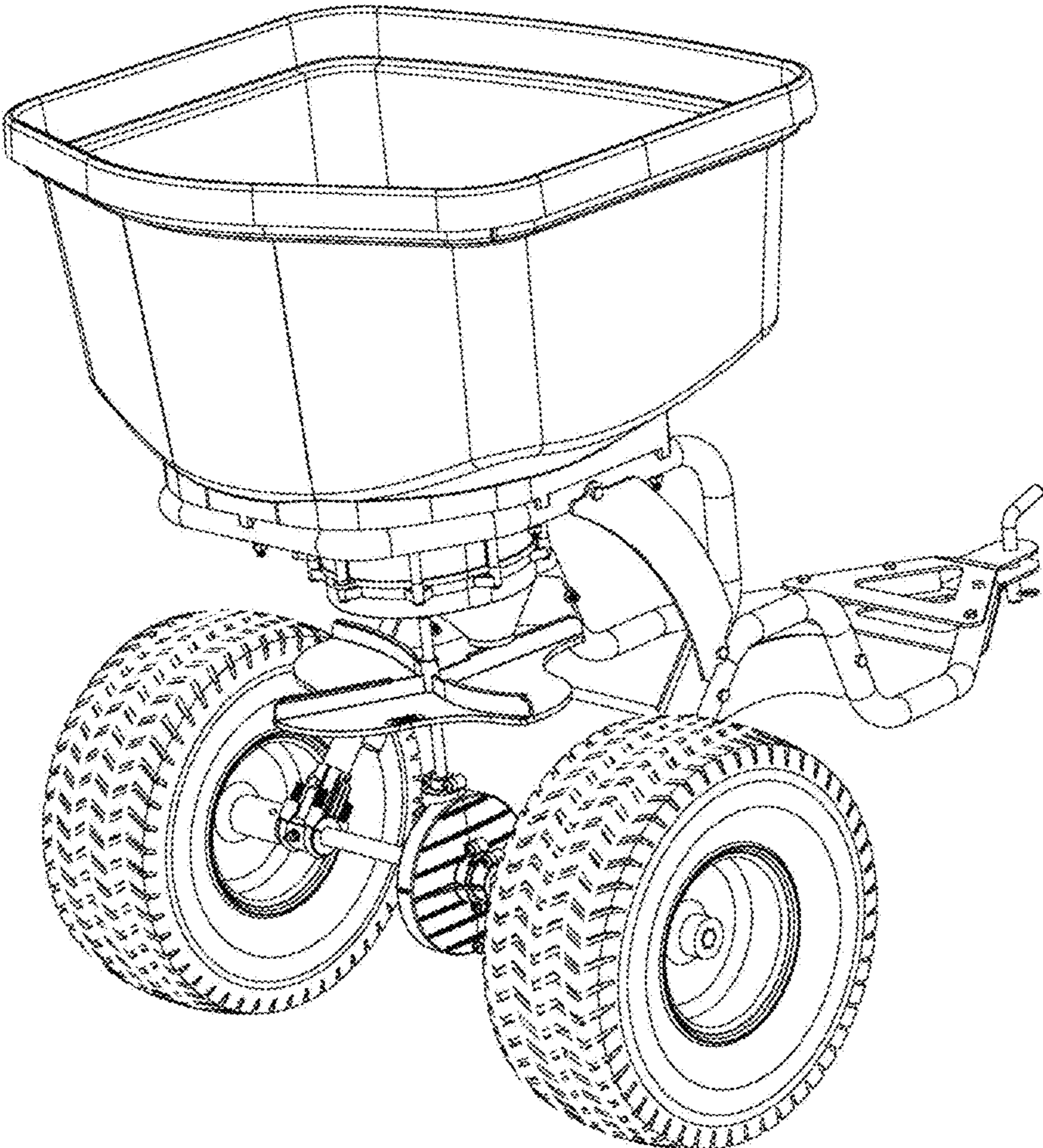


FIG. 1

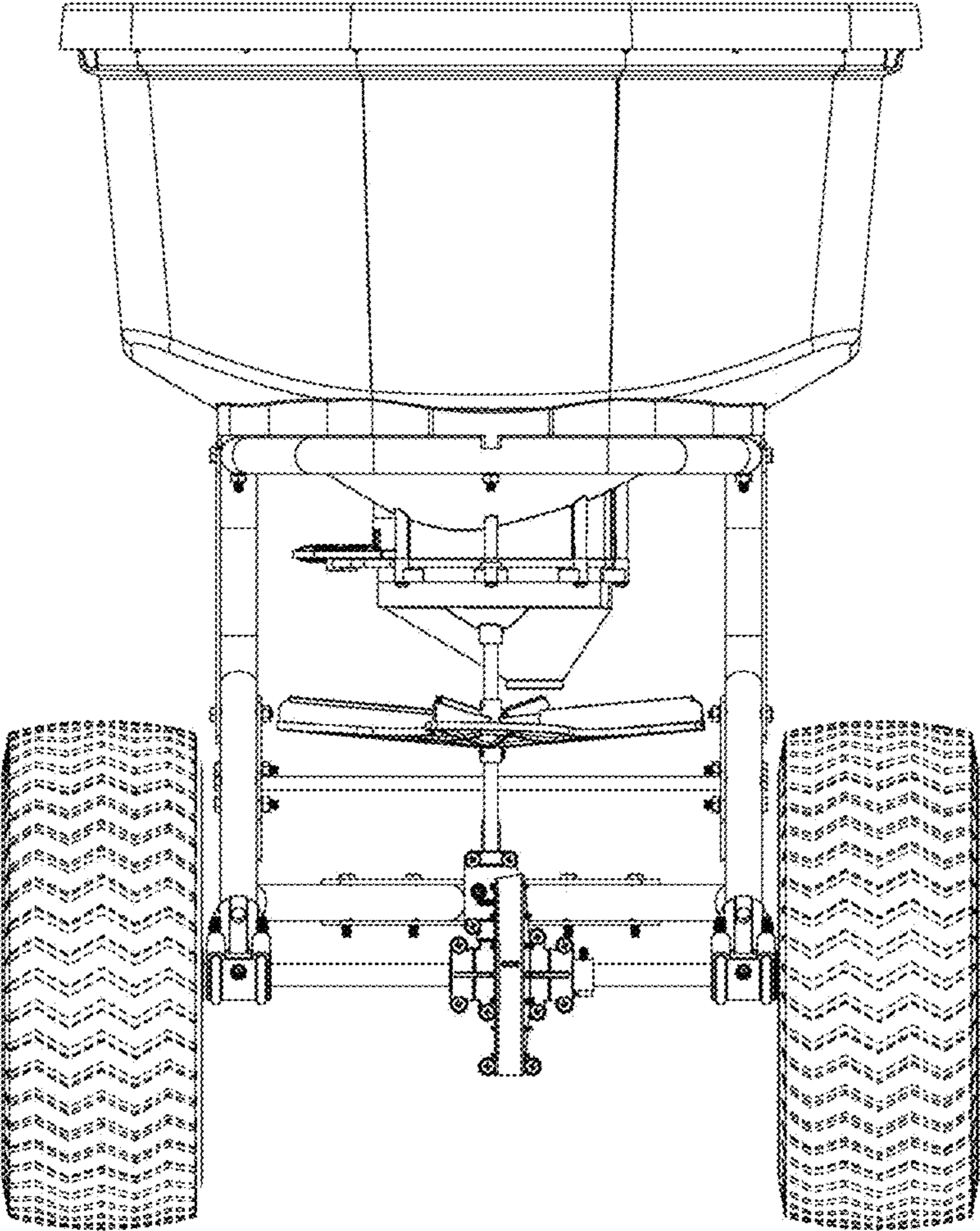


FIG. 2

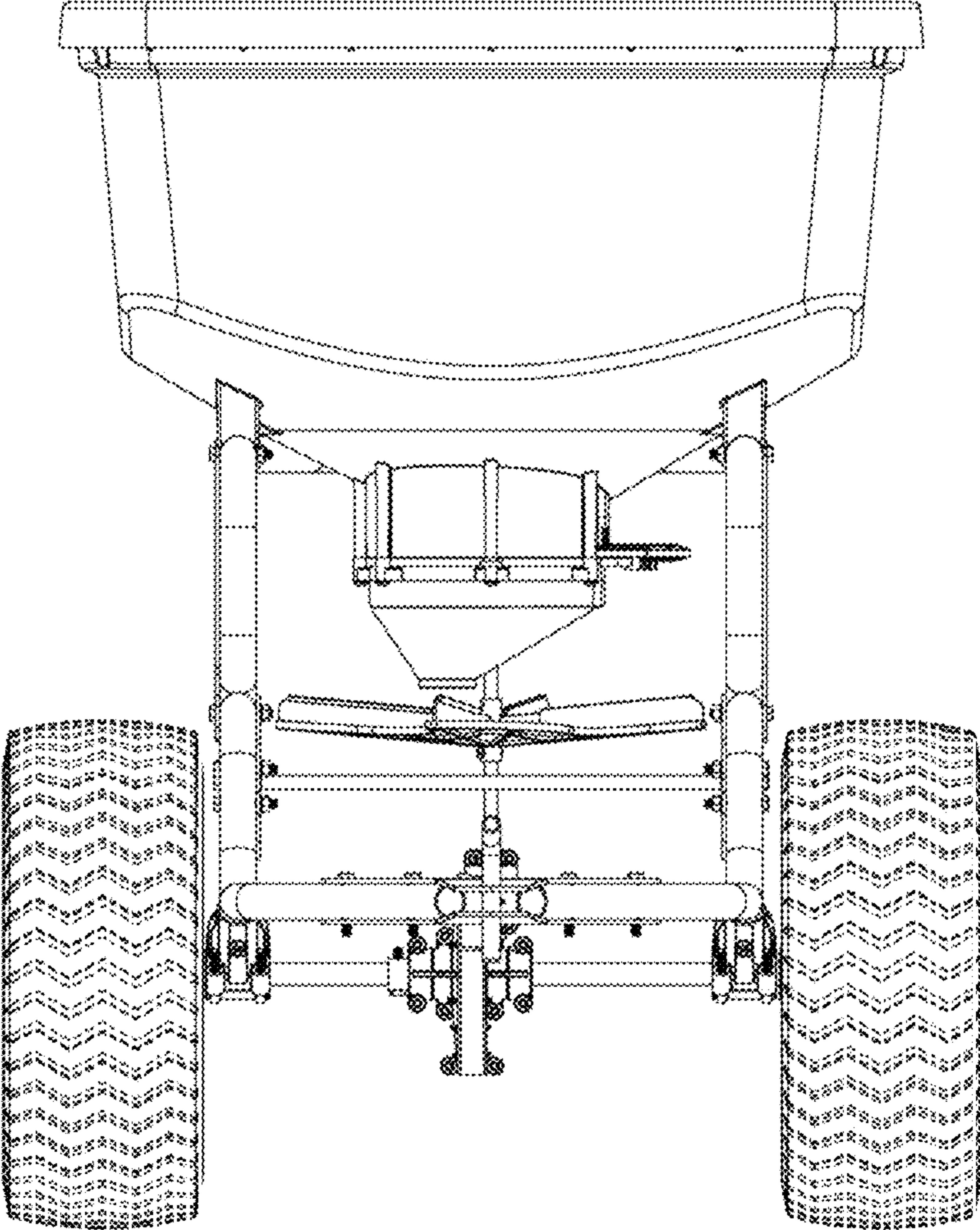


FIG. 3

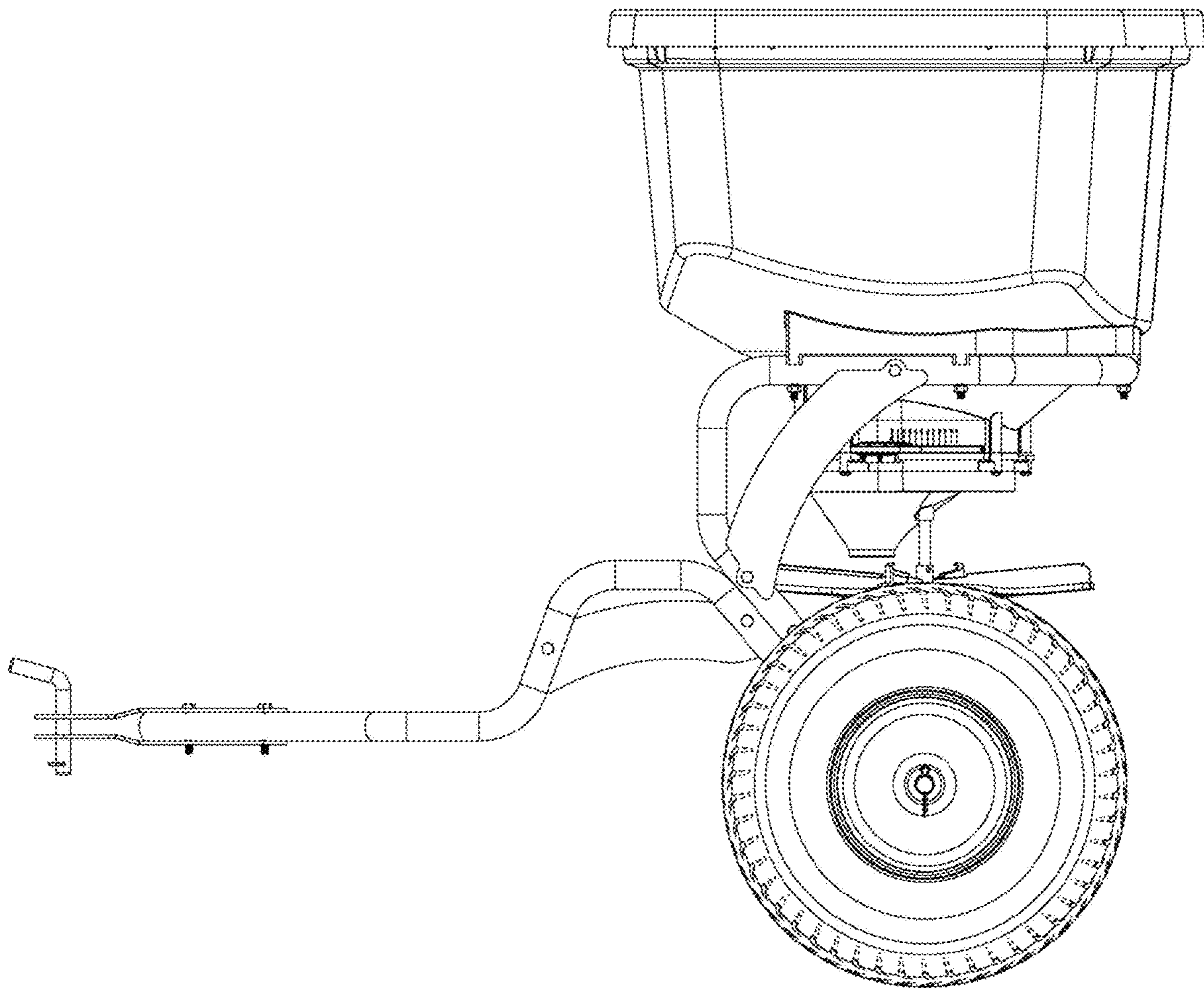


FIG. 4

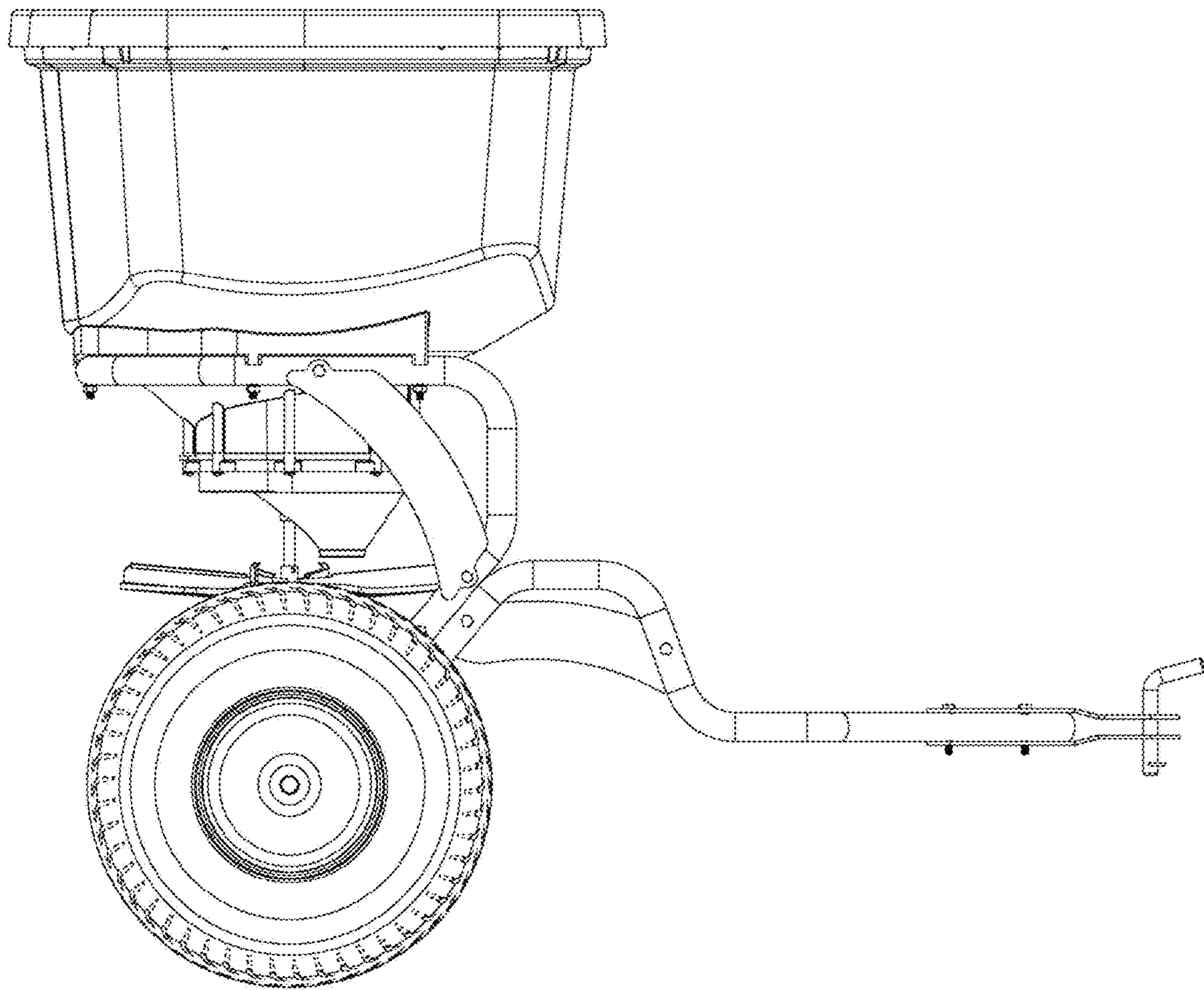


FIG. 5

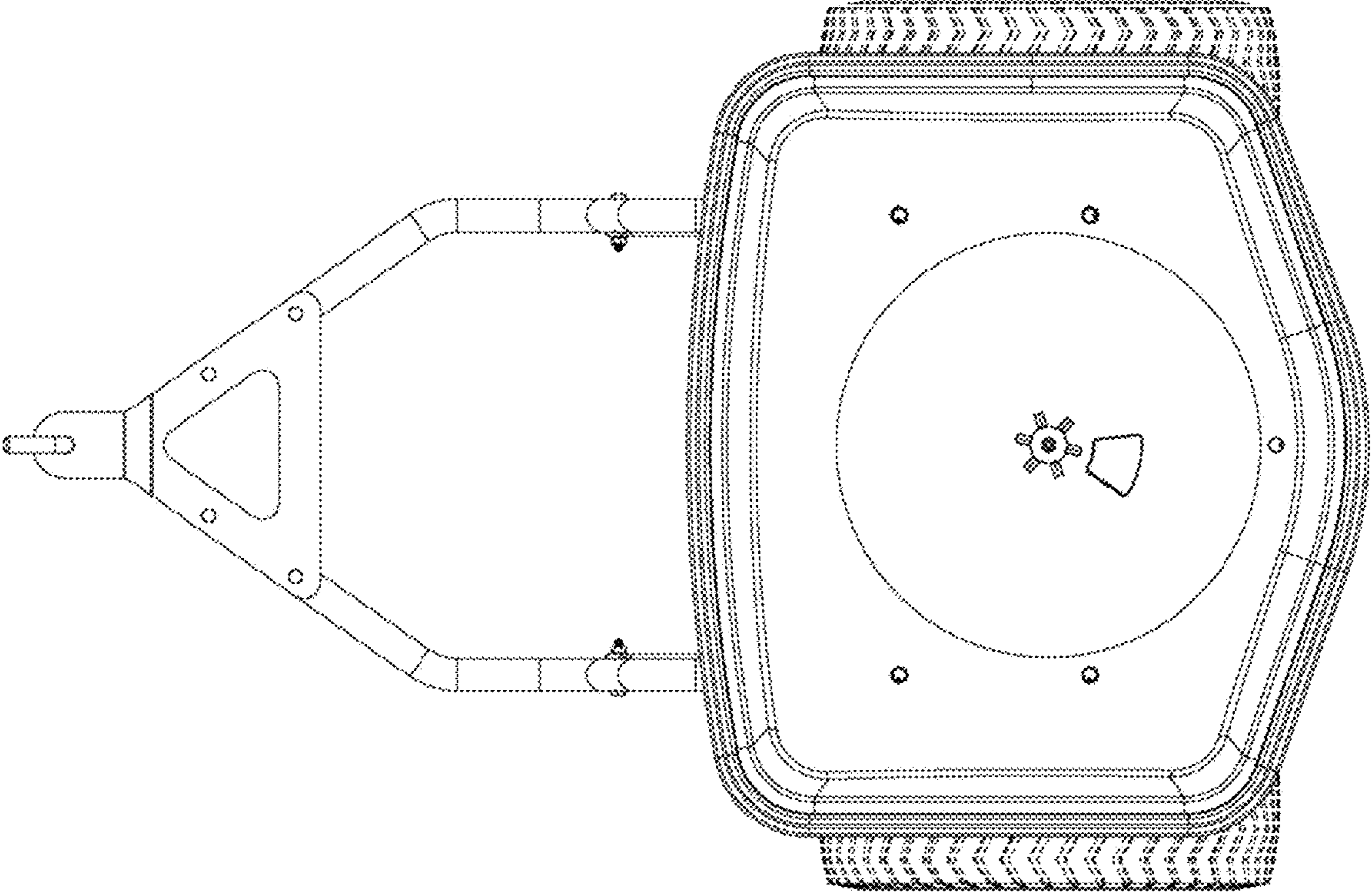


FIG. 6

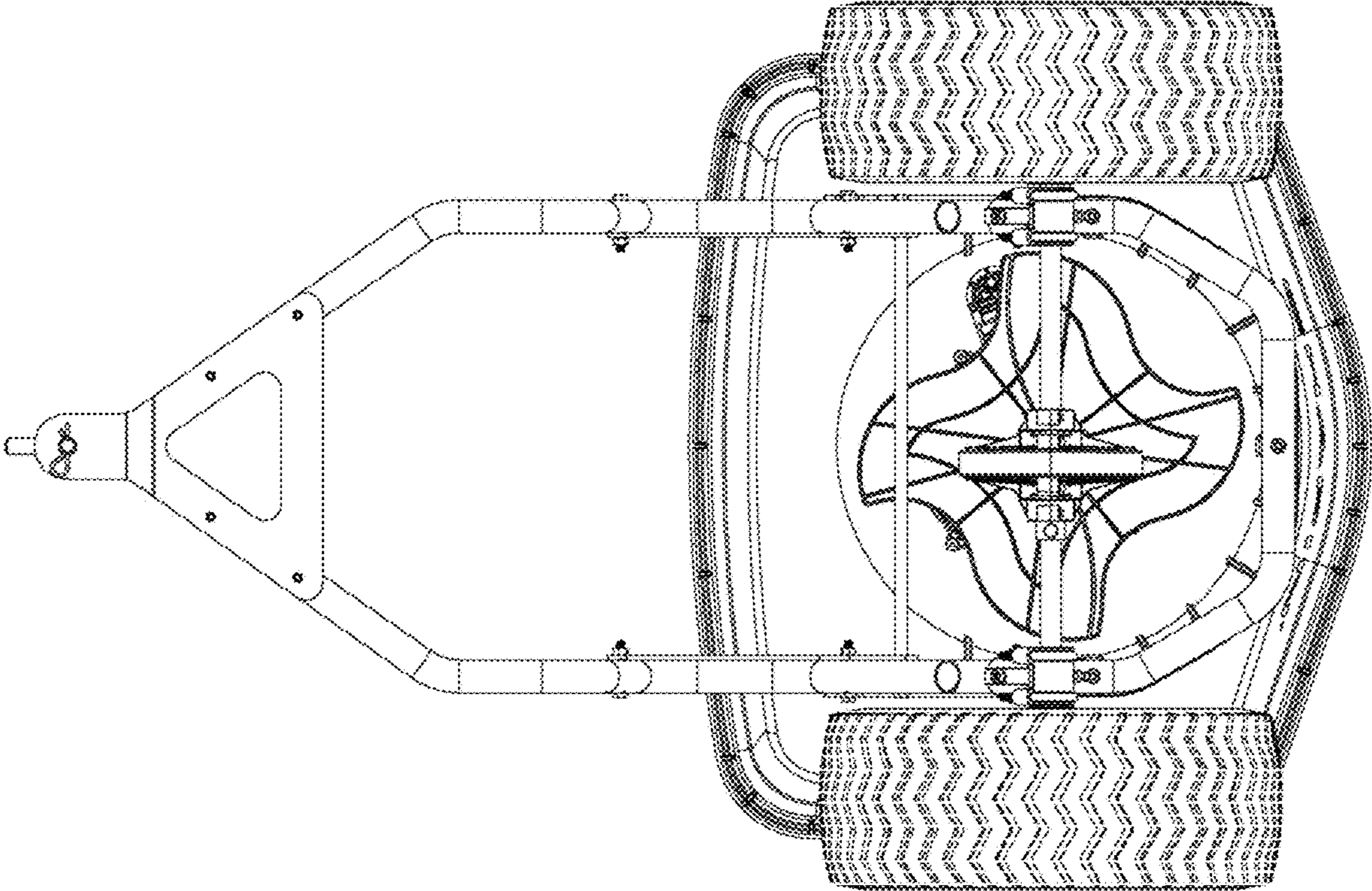


FIG. 7