



US00D853445S

(12) **United States Design Patent**
Kuratani et al.

(10) **Patent No.:** **US D853,445 S**
(45) **Date of Patent:** **** Jul. 9, 2019**

(54) **MOTOR**

(71) Applicant: **NIDEC SANKYO CORPORATION**,
Suwa-gun, Nagano (JP)
(72) Inventors: **Hiroki Kuratani**, Nagano (JP);
Takashi Yamamoto, Nagano (JP);
Nobuki Kokubo, Nagano (JP); **Masaki**
Harada, Nagano (JP)
(73) Assignee: **NIDEC SANKYO CORPORATION**,
Nagano (JP)

(**) Term: **15 Years**

(21) Appl. No.: **29/613,819**

(22) Filed: **Aug. 14, 2017**

(30) **Foreign Application Priority Data**

Feb. 14, 2017 (JP) 2017-002753

(51) **LOC (11) Cl.** **15-01**

(52) **U.S. Cl.**
USPC **D15/1; D13/112**

(58) **Field of Classification Search**
USPC D13/112, 113, 114, 122, 184, 199;
D15/1-5
CPC H02K 5/06; H02K 5/225; H02K 11/33;
H02K 9/14; H02K 7/1025; H02K
7/20918; H02K 5/00; H02K 5/02; H02K
5/04; H02K 5/08

See application file for complete search history.

(56) **References Cited**

U.S. PATENT DOCUMENTS

5,883,449 A * 3/1999 Mehta F04D 25/082
310/417
D709,450 S * 7/2014 Tanabe D13/112
D741,260 S * 10/2015 Yabuuchi D13/112
D806,650 S * 1/2018 Chang D13/112
10,020,701 B2 * 7/2018 Kamiyoshihara H02K 1/2773
2015/0249376 A1 * 9/2015 Hiwaki H02K 5/04
310/43
2015/0311760 A1 * 10/2015 Iwasaki H02K 3/28
310/71

* cited by examiner

Primary Examiner — T Chase Nelson

Assistant Examiner — Ania Aman

(74) *Attorney, Agent, or Firm* — Cantor Colburn LLP

(57) **CLAIM**

The ornamental design for a motor, as shown and described.

DESCRIPTION

FIG. 1 is a front view of a motor.
FIG. 2 is a back-side view thereof;
FIG. 3 is a left-side view thereof;
FIG. 4 is a right-side view thereof;
FIG. 5 is a top plan view thereof;
FIG. 6 is a bottom plan view thereof;
FIG. 7 is a front, left, top perspective view thereof;
FIG. 8 is a back, right, top perspective view thereof;
FIG. 9 is a front, right, bottom perspective view thereof; and,
FIG. 10 is a back, left, bottom perspective view thereof.

1 Claim, 8 Drawing Sheets

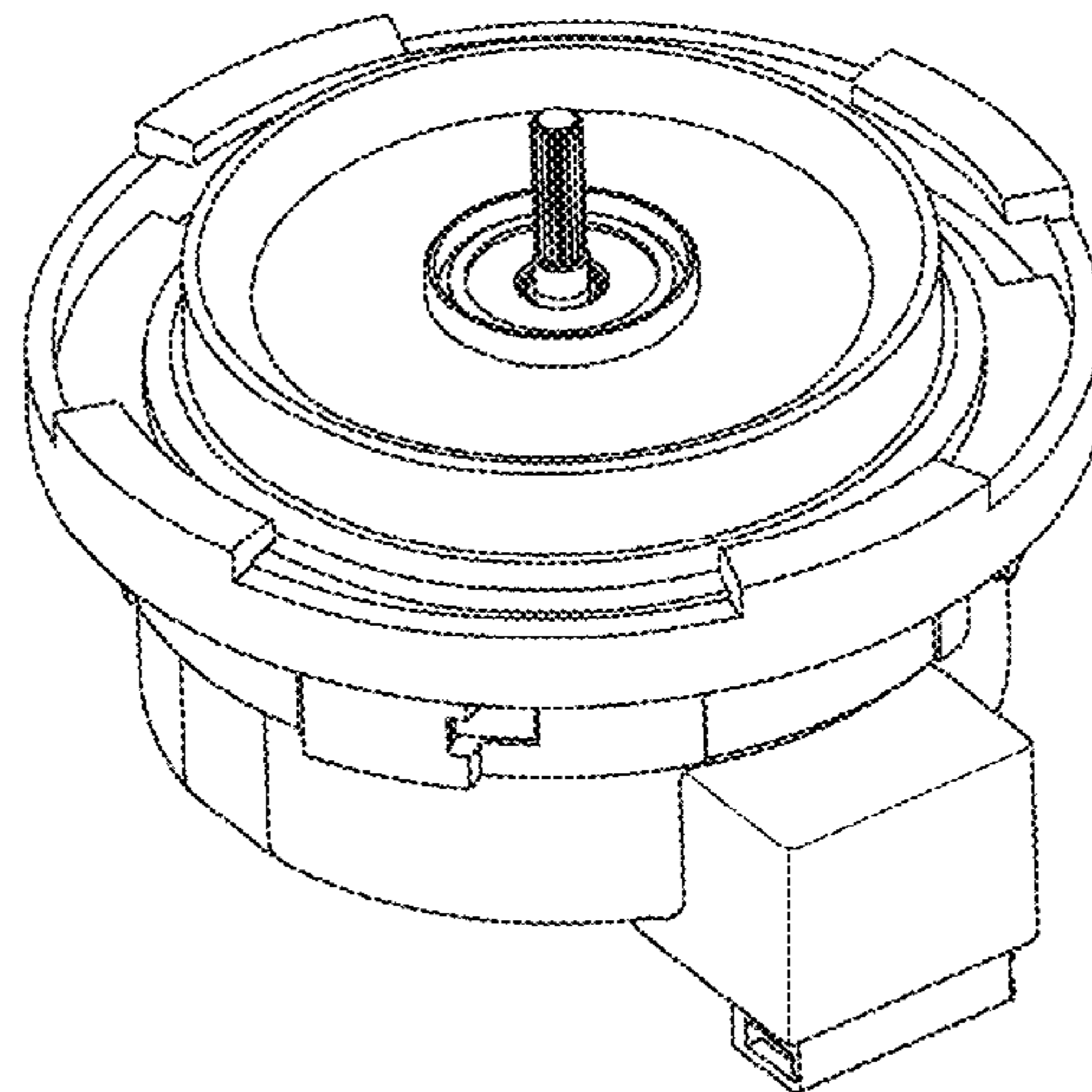
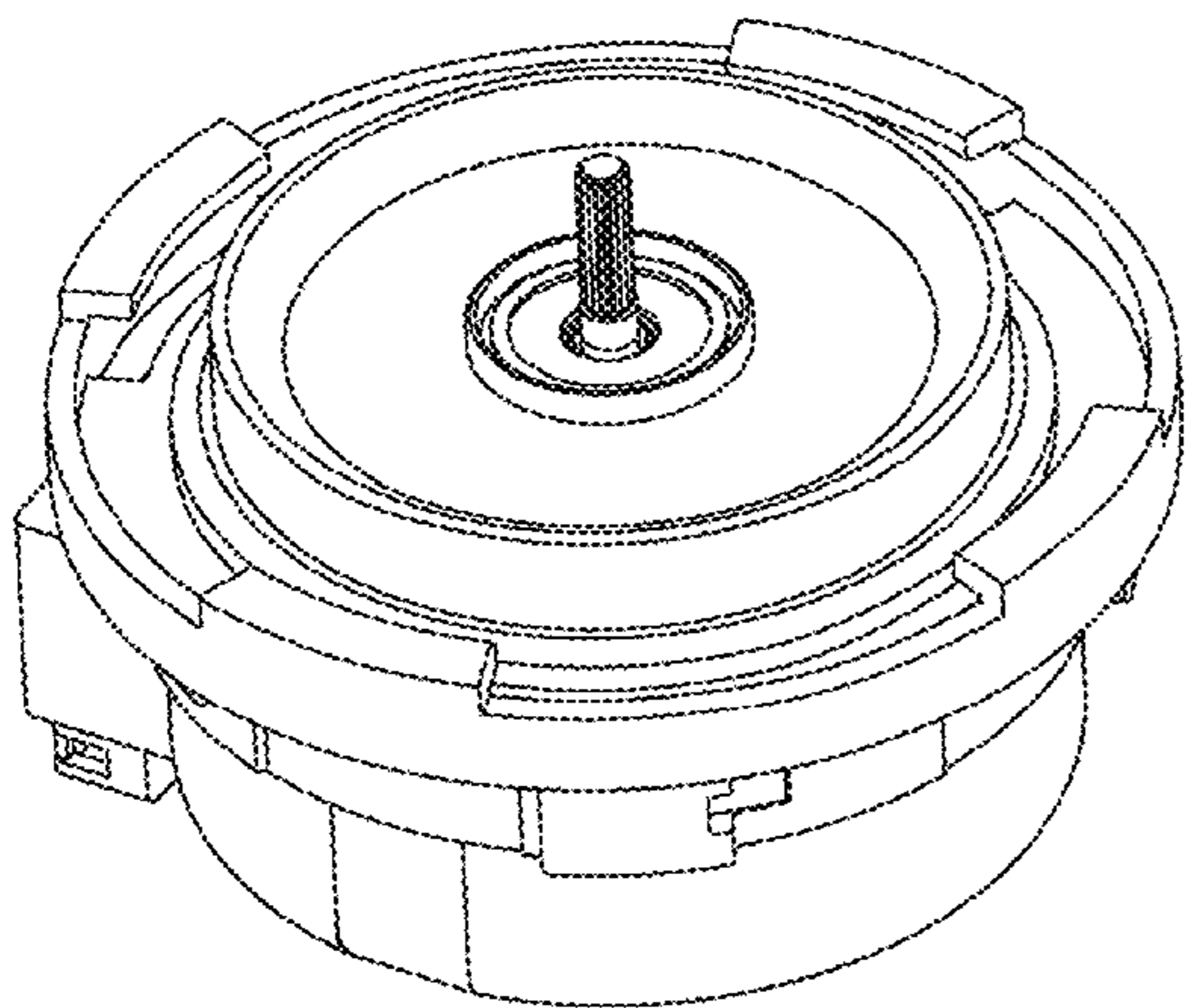


FIG. 1

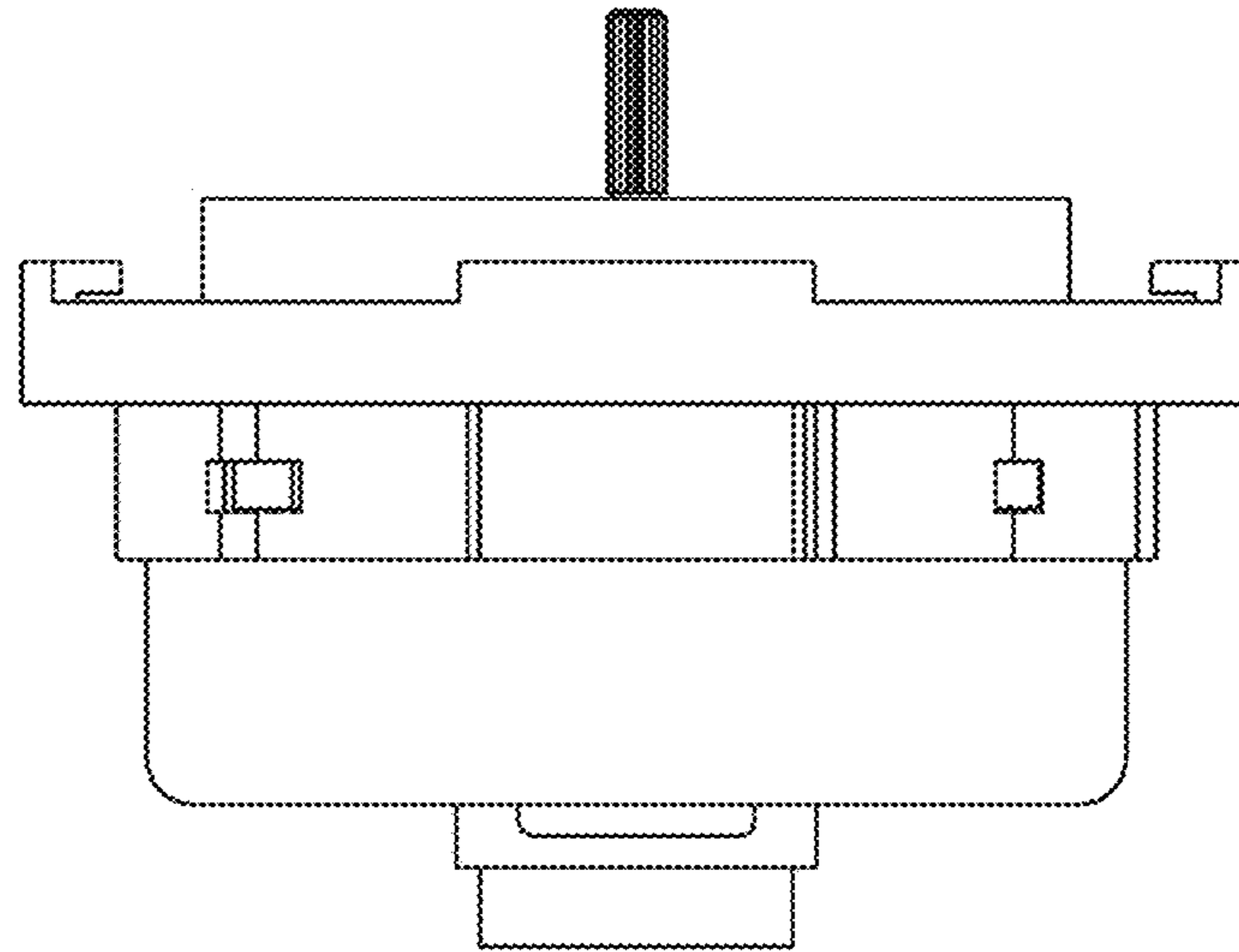


FIG. 2

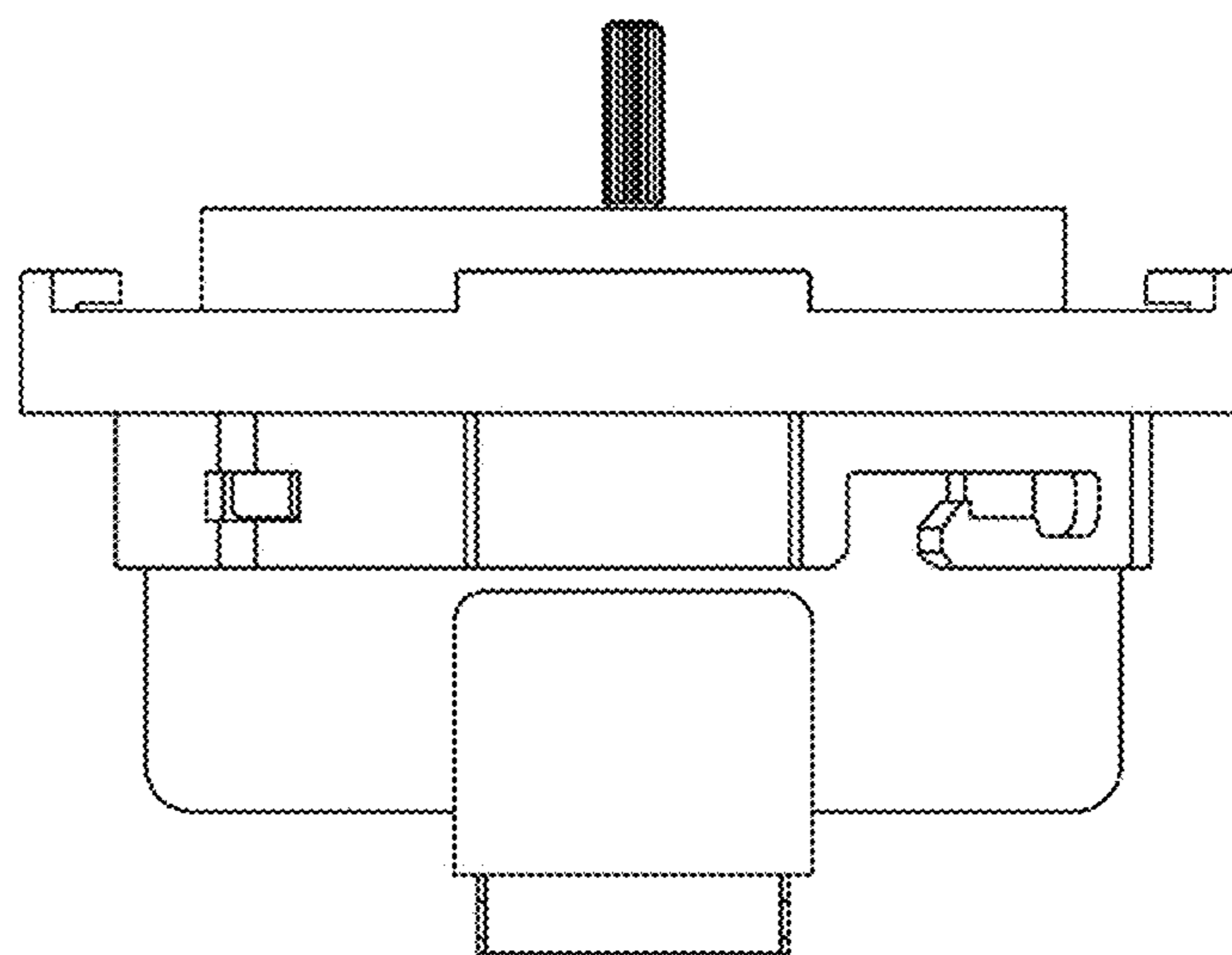


FIG. 3

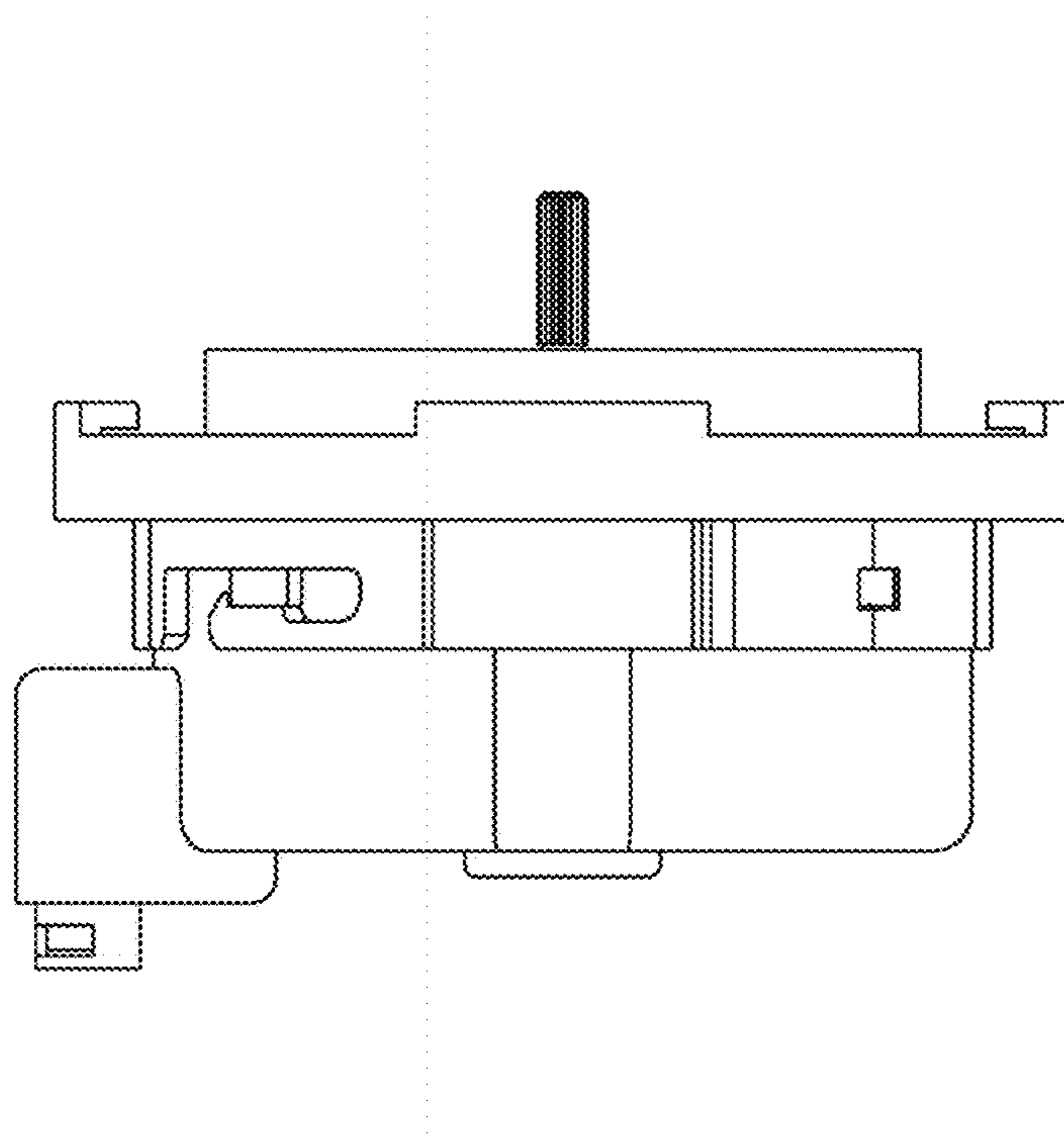


FIG. 4

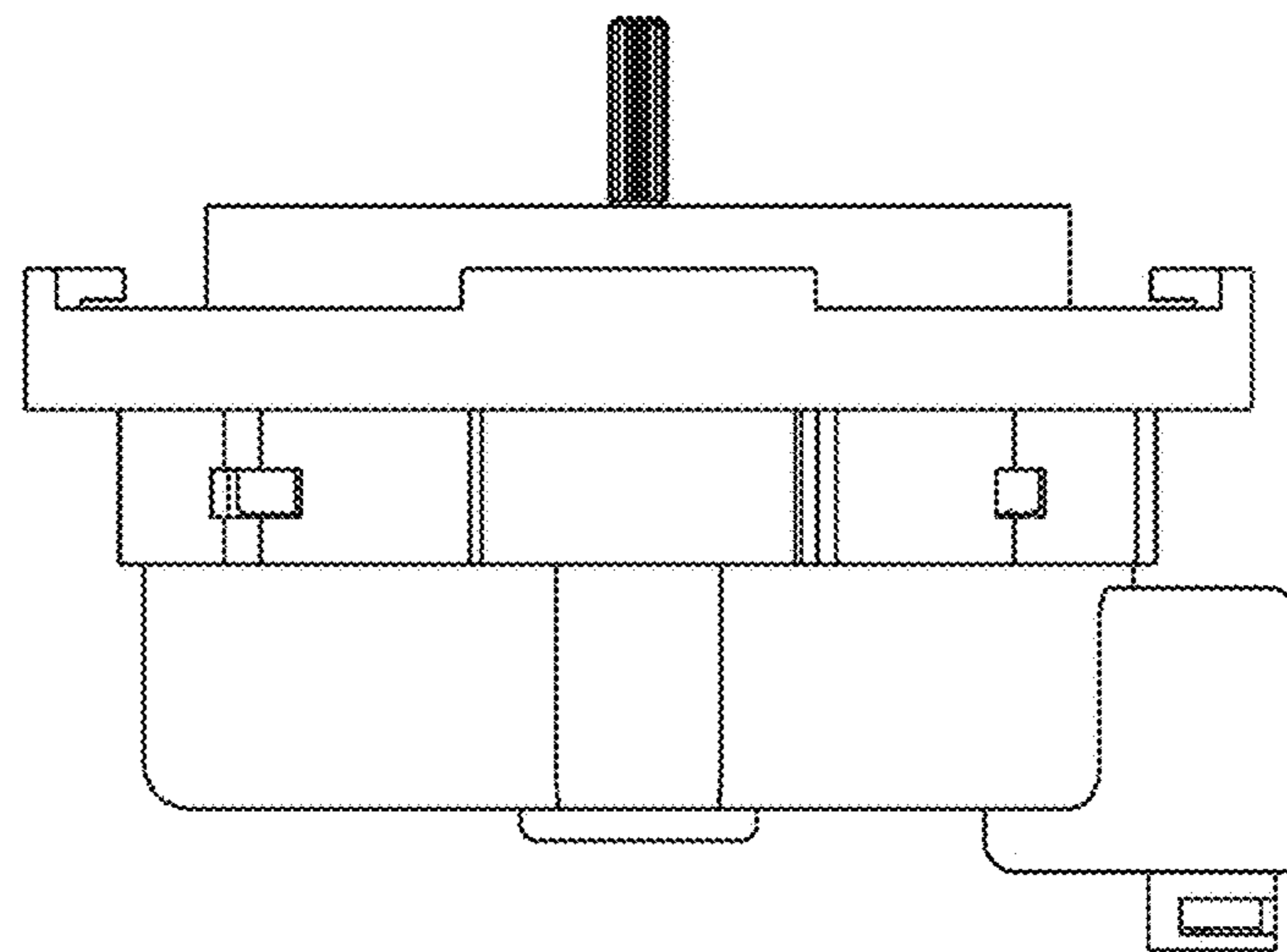


FIG. 5

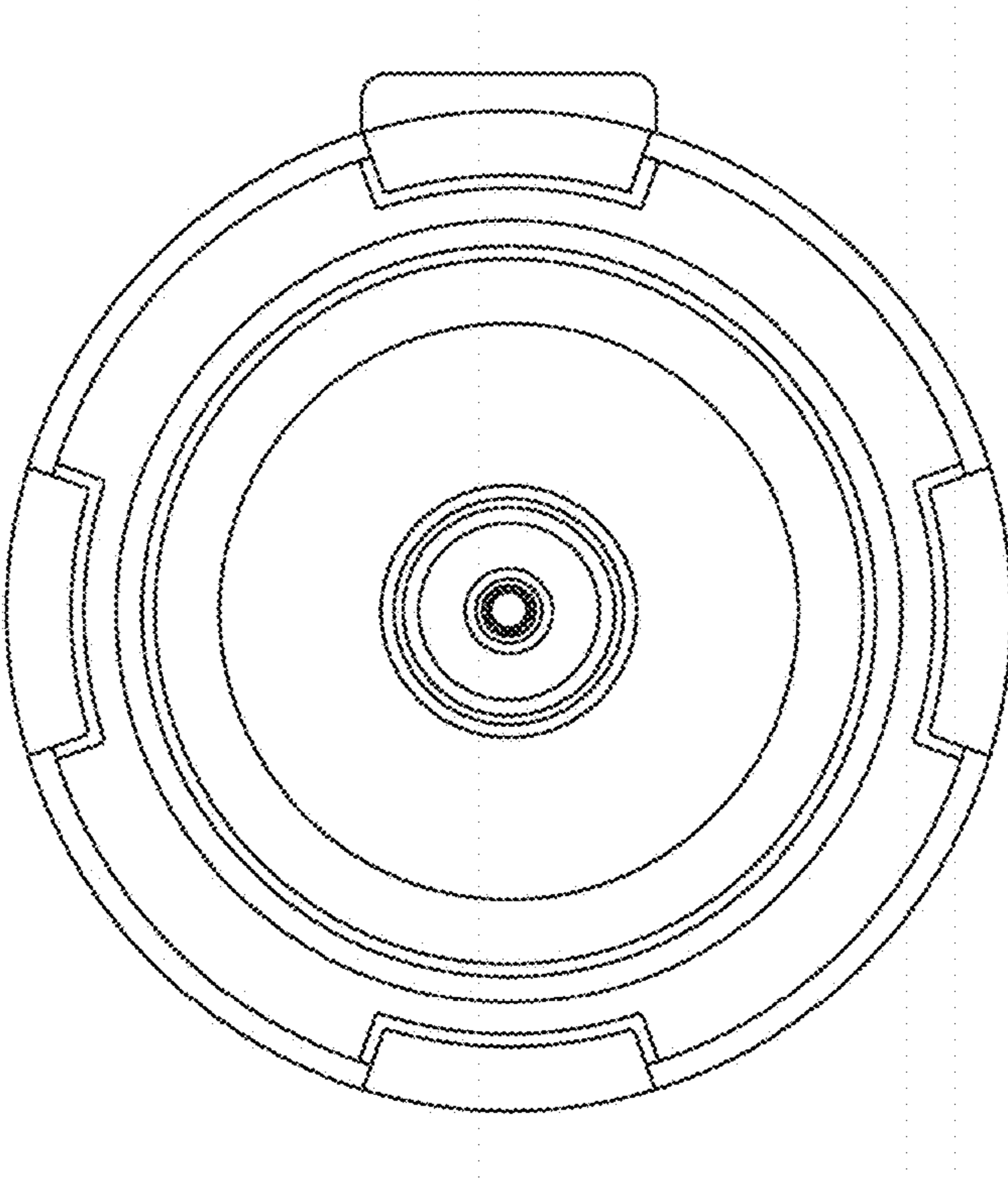


FIG. 6

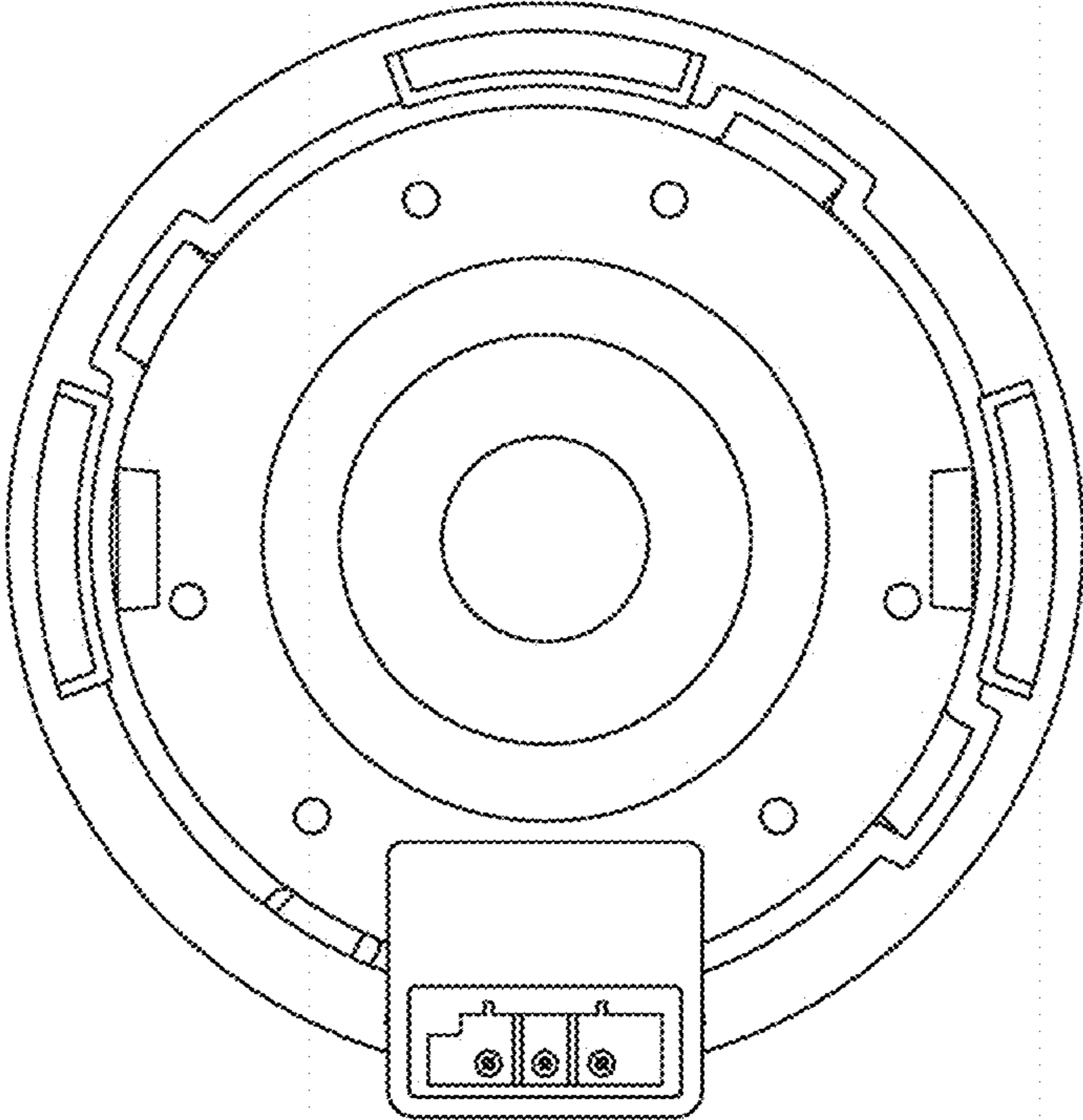


FIG. 7

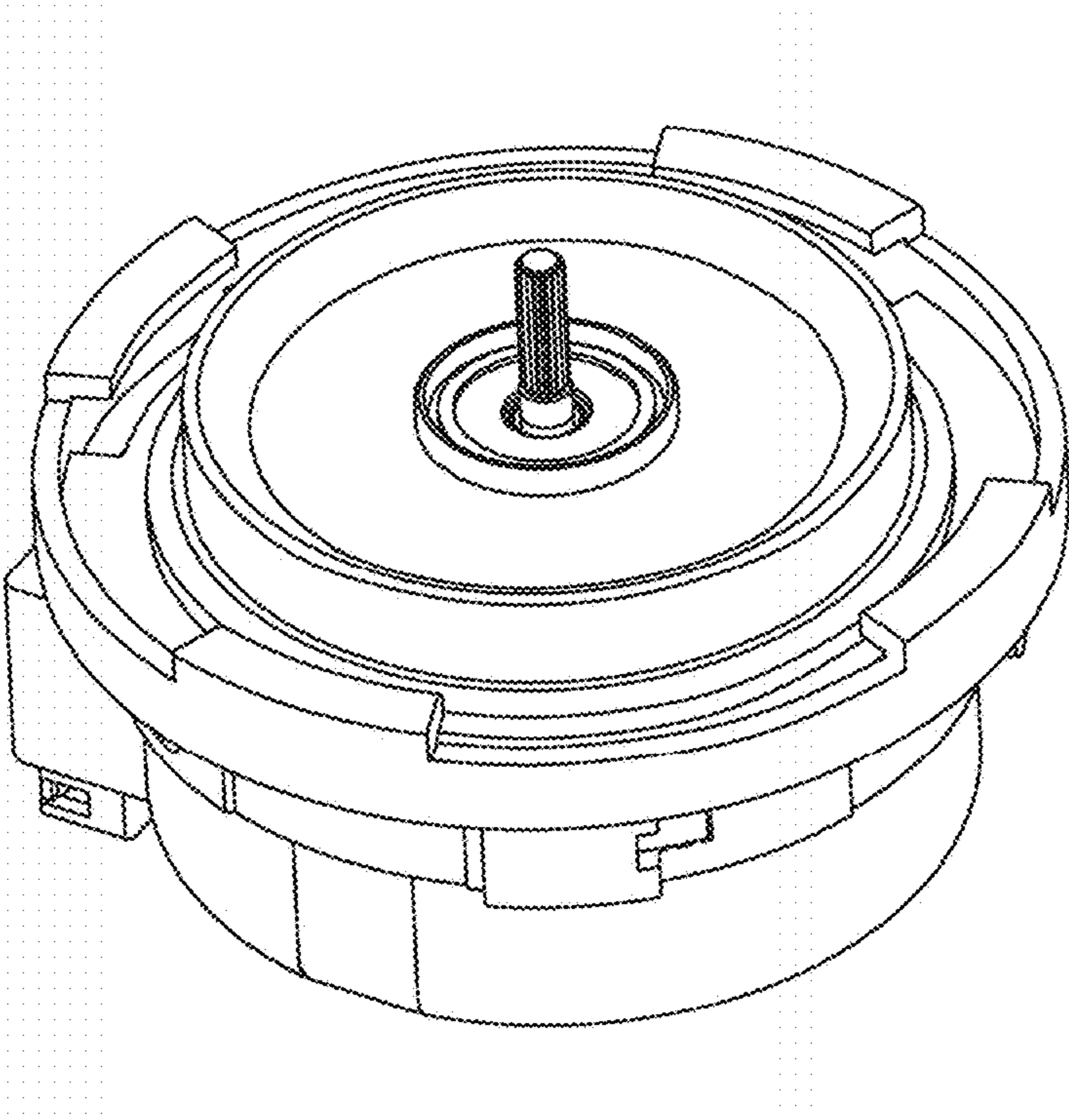


FIG. 8

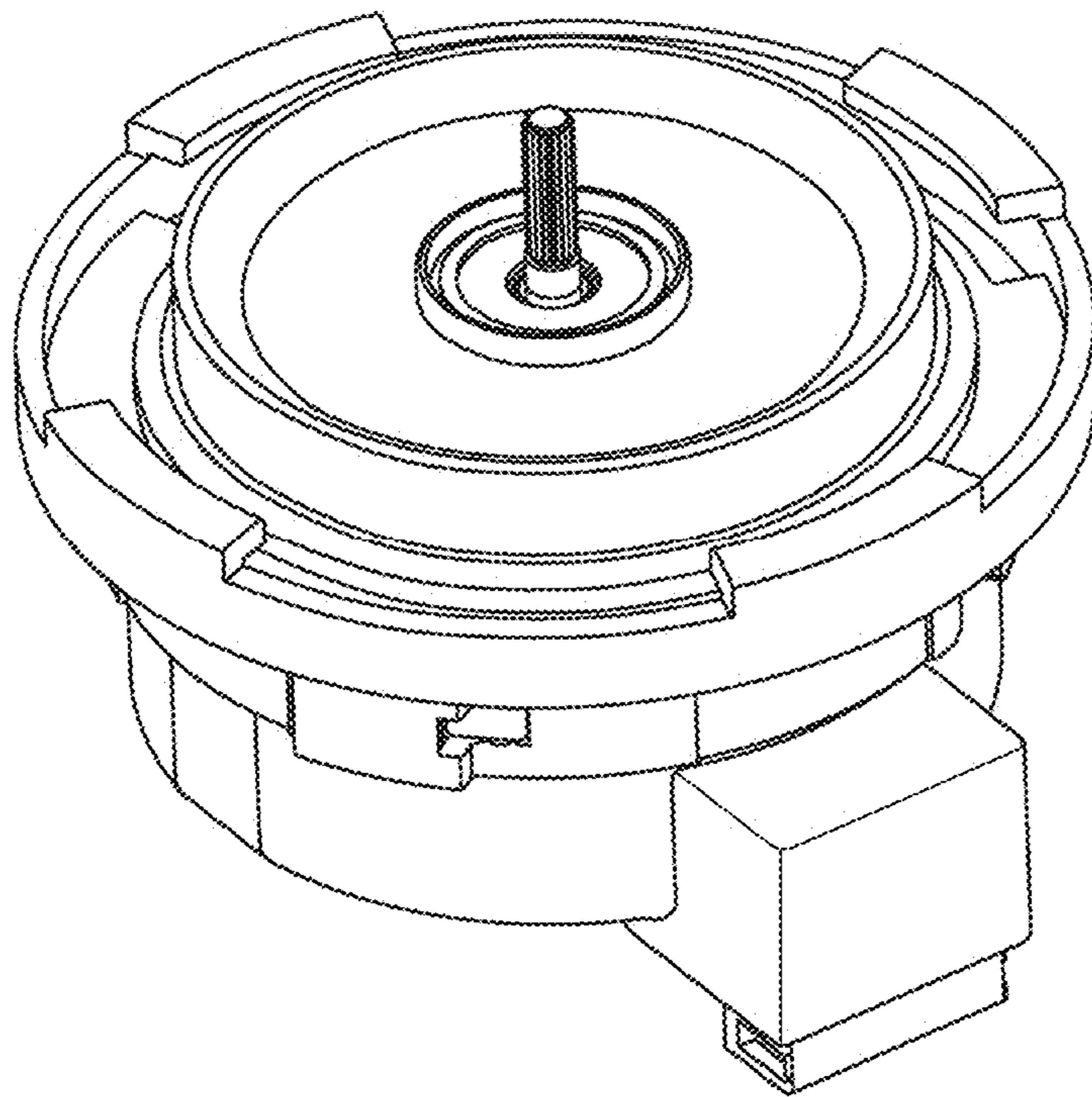


FIG. 9

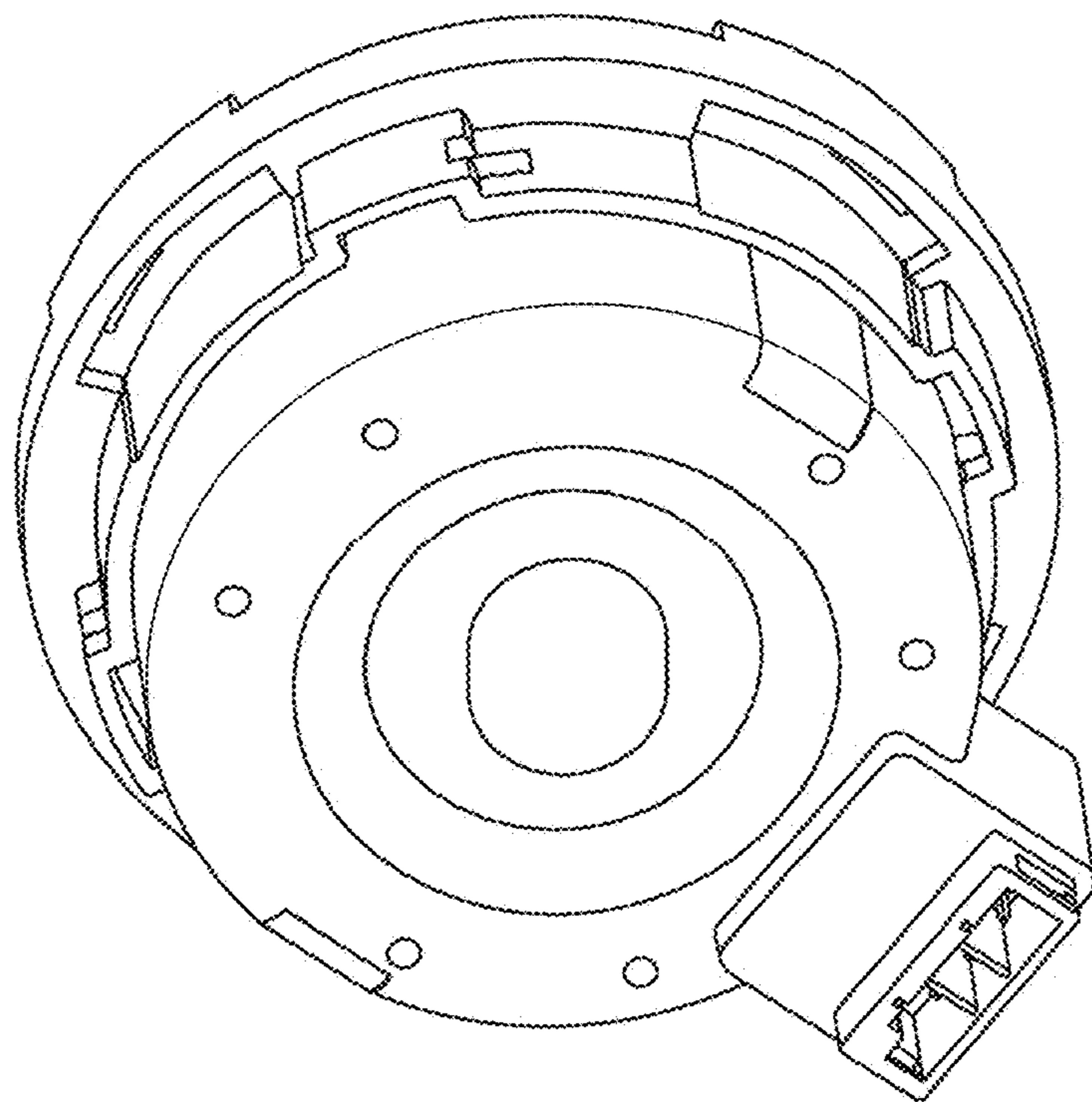


FIG. 10

