

US00D853436S

(12) **United States Design Patent**
Lassner

(10) **Patent No.:** **US D853,436 S**
(45) **Date of Patent:** **** Jul. 9, 2019**

(54) **DISPLAY SCREEN OR PORTION THEREOF WITH TRANSITIONAL GRAPHICAL USER INTERFACE**

(71) Applicant: **Allied Steel Buildings Inc.**, Fort Lauderdale, FL (US)

(72) Inventor: **Michael Lassner**, Fort Lauderdale, FL (US)

(73) Assignee: **Allied Steel Buildings, Inc.**, Fort Lauderdale, FL (US)

(**) Term: **15 Years**

(21) Appl. No.: **29/611,224**

(22) Filed: **Jul. 19, 2017**

(51) **LOC (11) Cl.** **14-04**

(52) **U.S. Cl.**
USPC **D14/488**

(58) **Field of Classification Search**
USPC D14/485-495
CPC G06F 3/048; G06F 3/0481; G06F 3/04812; G06F 3/04815; G06F 3/04817; G06F 3/0482; G06F 3/0483; G06F 3/0484; G06F 3/04842; G06F 3/04845; G06F 3/04847; G06F 3/0485; G06F 3/04855; G06F 3/0486; G06F 3/0487; G06F 3/0488; G06F 3/04883; G06F 3/04886
See application file for complete search history.

(56) **References Cited**

U.S. PATENT DOCUMENTS

D754,158 S * 4/2016 Moon D14/485
D779,544 S * 2/2017 Paulik D14/487

D786,289 S * 5/2017 Kim D14/486
D788,789 S * 6/2017 Pickering D14/485
D819,070 S * 5/2018 Nanjappan D14/486
D820,279 S * 6/2018 Yao D14/485
D823,333 S * 7/2018 Hiratsuka D14/486
D833,462 S * 11/2018 Dahlen D14/485
D835,122 S * 12/2018 Arutyunyan D14/485
D835,642 S * 12/2018 Yao D14/485
D842,331 S * 3/2019 Guo D14/488
D843,391 S * 3/2019 Smith D14/485
2008/0198159 A1* 8/2008 Liu G08B 13/19641
345/420
2012/0297346 A1* 11/2012 Hoffknecht G05B 15/02
715/850

* cited by examiner

Primary Examiner — Melanie H Tung

Assistant Examiner — Bao-Yen T Nguyen

(74) *Attorney, Agent, or Firm* — Dicke, Billig & Czaja, PLLC

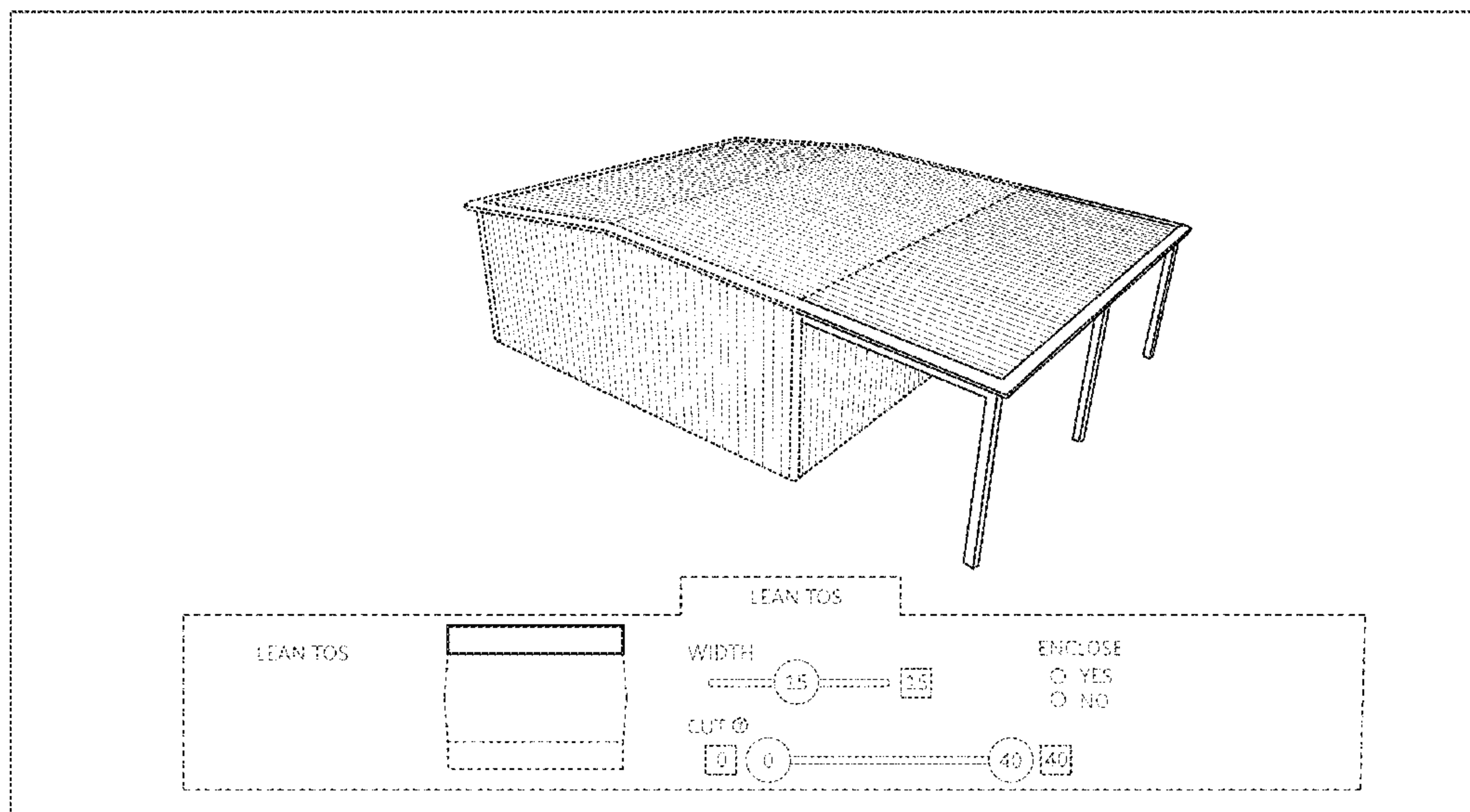
(57) **CLAIM**

The ornamental design for a display screen or portion thereof with transitional graphical user interface, as shown and described herein.

DESCRIPTION

FIG. 1 is the first image in a sequence for a display screen or portion thereof with transitional graphical user interface showing my new design; FIG. 2 is the second image thereof; and, FIG. 3 is the third image thereof. The broken lines illustrate the display screen or portion thereof and form no part of the claimed design. The broken lines illustrate portions of the graphical user interface and form no part of the claimed design.

1 Claim, 3 Drawing Sheets



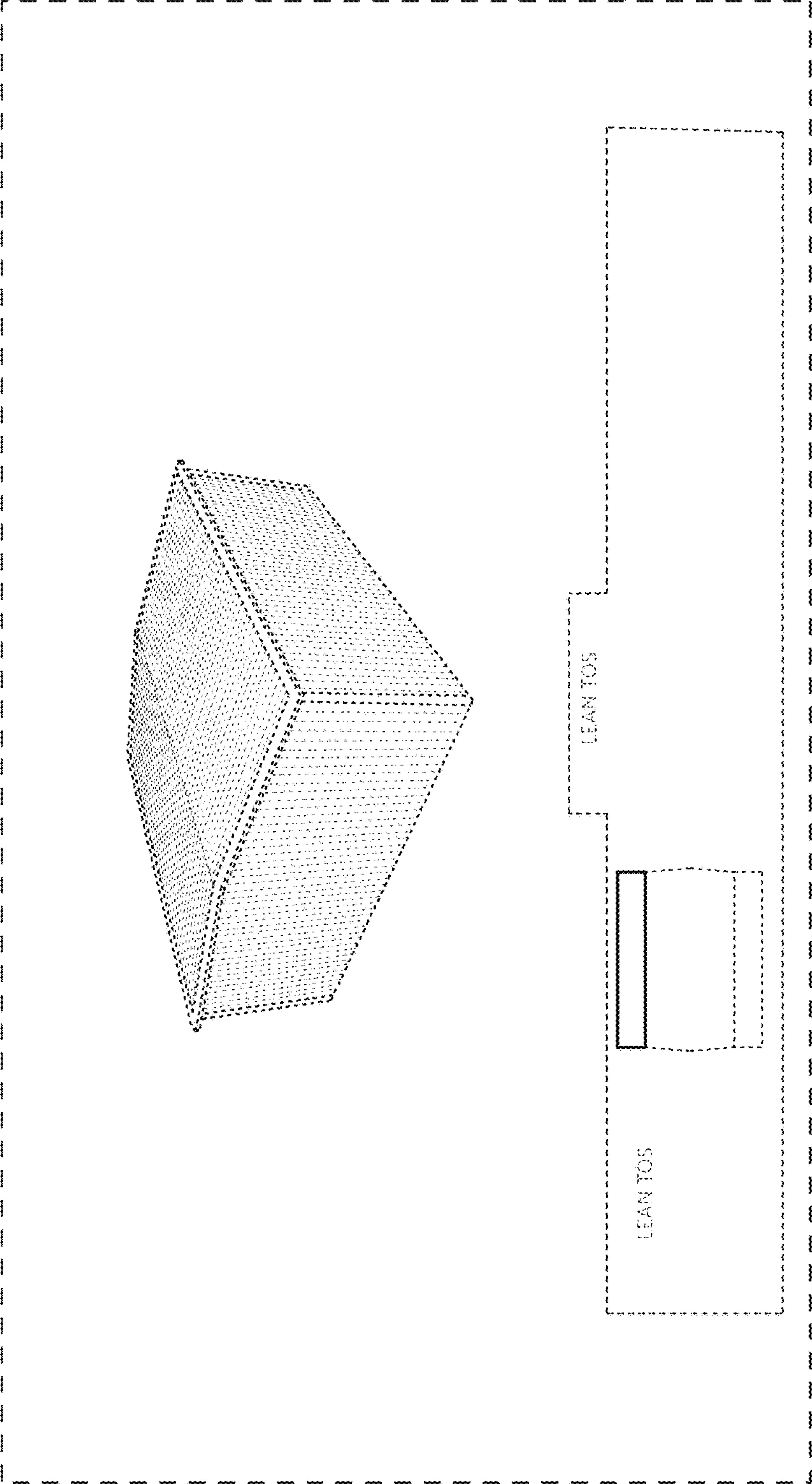


FIG. 1

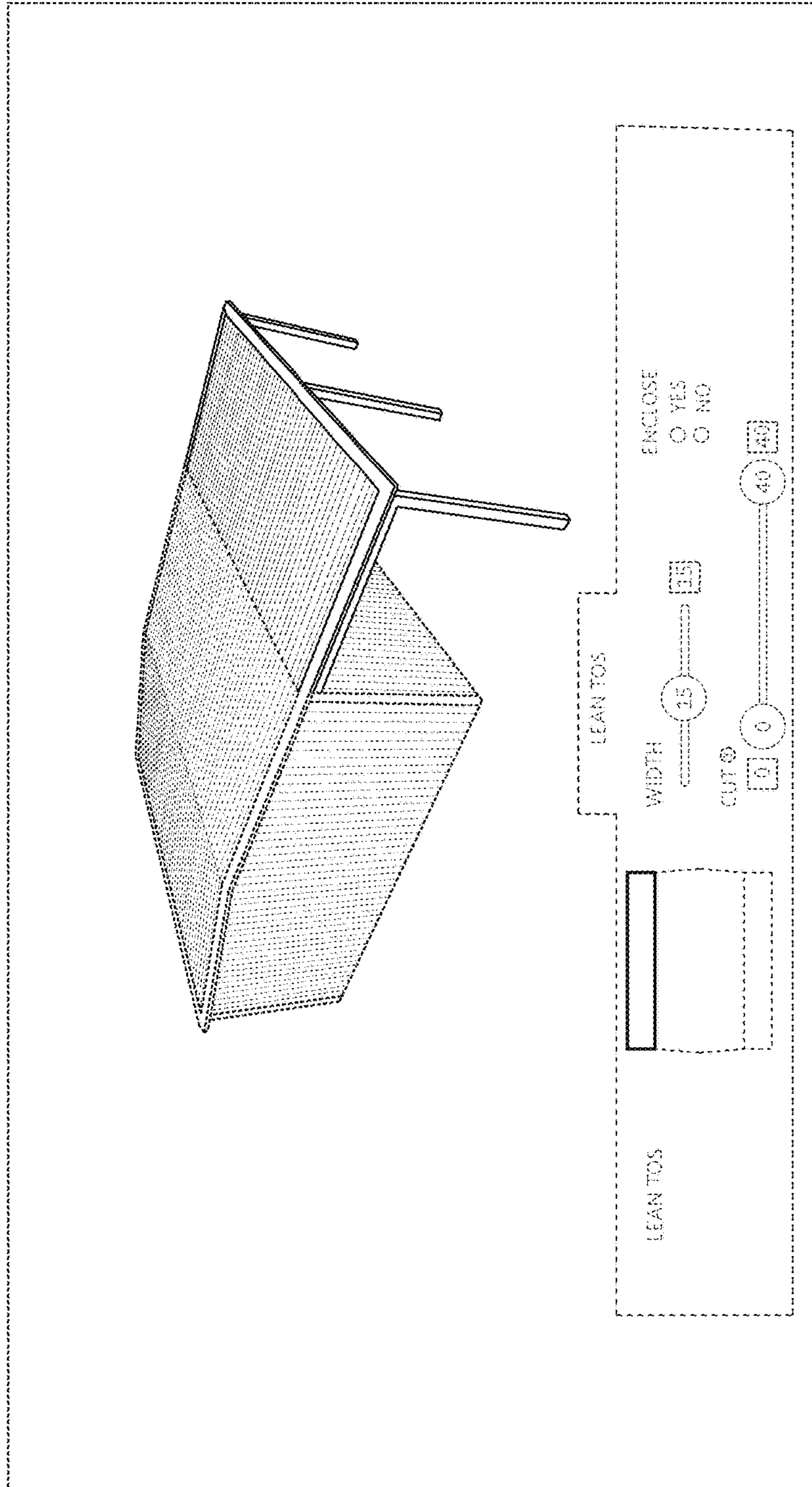


FIG. 2

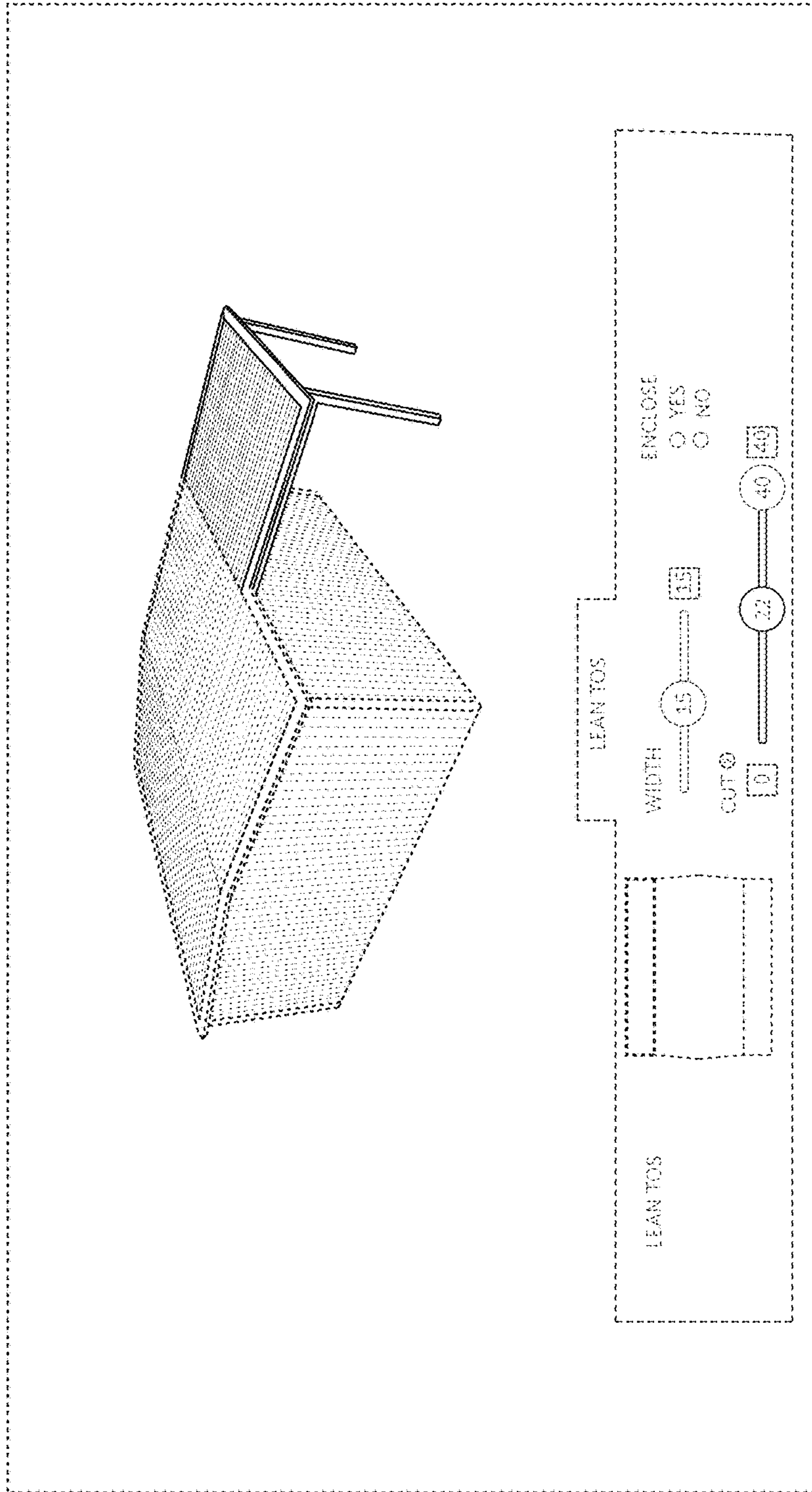


FIG. 3