



US00D853425S

(12) **United States Design Patent**
Inoue et al.

(10) **Patent No.:** **US D853,425 S**
(45) **Date of Patent:** **** Jul. 9, 2019**

(54) **HEAD MOUNTED DISPLAY SCREEN WITH TRANSITIONAL GRAPHICAL USER INTERFACE**

(71) Applicant: **OLYMPUS CORPORATION**,
Hachioji-shi, Tokyo (JP)

(72) Inventors: **Kanako Inoue**, Hachioji (JP); **Daisuke Tainaka**, Hachioji (JP)

(73) Assignee: **OLYMPUS CORPORATION**, Tokyo (JP)

(**) Term: **15 Years**

(21) Appl. No.: **29/638,774**

(22) Filed: **Feb. 28, 2018**

(30) **Foreign Application Priority Data**

Nov. 2, 2017 (JP) 2017-024603

(51) **LOC (11) Cl.** **14-04**

(52) **U.S. Cl.**
USPC **D14/486**; D14/487; D14/488

(58) **Field of Classification Search**
USPC D14/485–495

(Continued)

(56) **References Cited**

U.S. PATENT DOCUMENTS

D523,442 S * 6/2006 Hiramatsu D14/488
D566,720 S * 4/2008 Kwon D14/486

(Continued)

OTHER PUBLICATIONS

“Samsung Galaxy S5 | How To: Use the Camera Modes” Apr. 11, 2014, YouTube, site visited Feb. 14, 2019: <https://www.youtube.com/watch?v=cBytUUILYuNY>.*

(Continued)

Primary Examiner — Jack Reickel
(74) *Attorney, Agent, or Firm* — Holtz, Holtz & Volek PC

(57) **CLAIM**

The ornamental design for a head mounted display screen with transitional graphical user interface, as shown and described.

DESCRIPTION

FIG. 1 is a first image in a sequence of a head mounted display screen with transitional graphical user interface showing our new design;

FIG. 2 is a second image thereof;

FIG. 3 is the third image thereof;

FIG. 4 is the fourth image thereof;

FIG. 5 is a fifth image thereof;

FIG. 6 is a sixth image thereof;

FIG. 7 is a seventh image thereof;

FIG. 8 is a front elevational view of a head mounted display with the head mounted display screen with transitional graphical user interface;

FIG. 9 is a rear elevational view thereof;

FIG. 10 is a bottom plan view thereof;

FIG. 11 is a top plan view thereof;

FIG. 12 is a right side elevational view thereof; and,

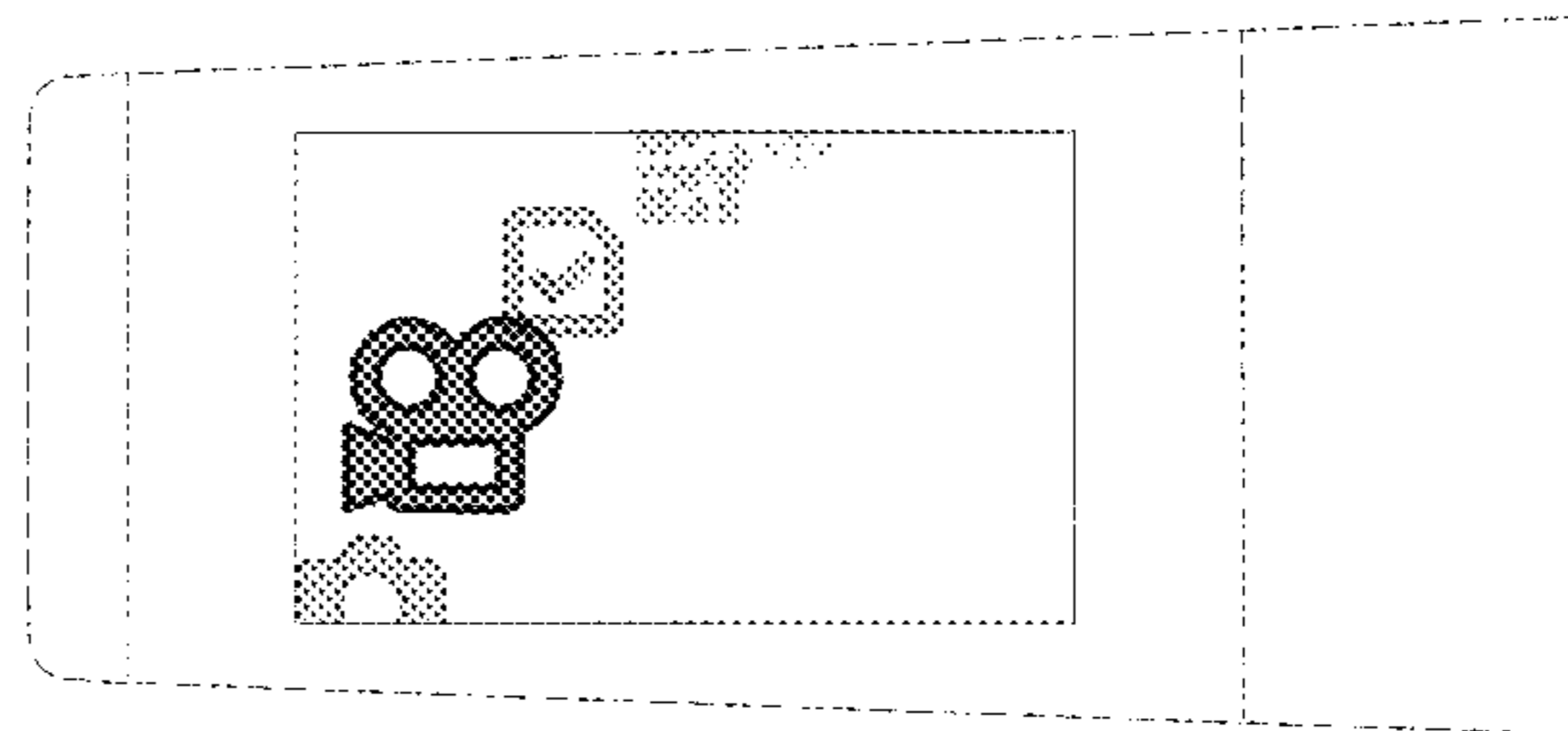
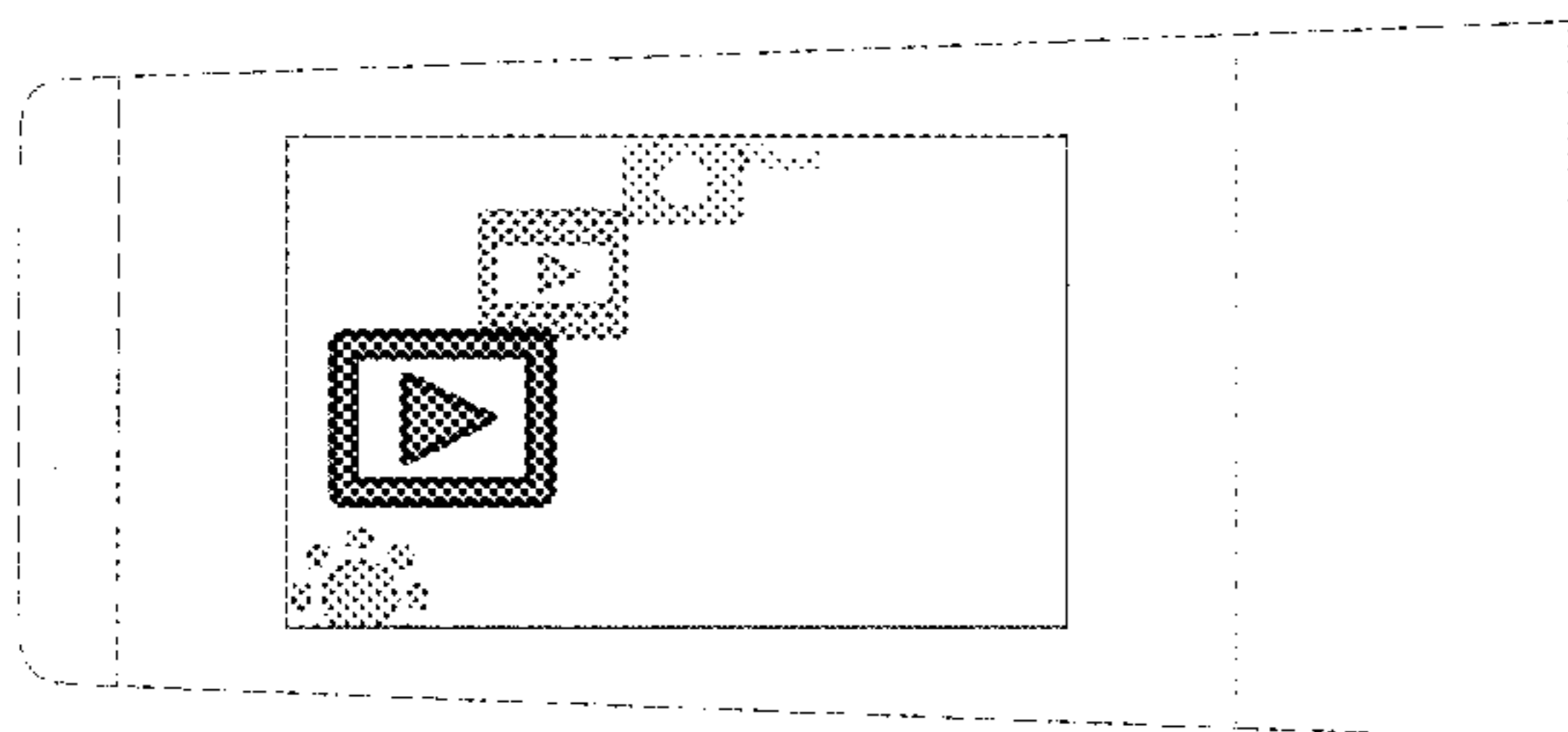
FIG. 13 is a left side elevational view thereof.

FIGS. 1-7 show an enlarged portion of the head mounted display with the head mounted display screen with transitional graphical user interface. Said enlarged portion shown in FIGS. 1-7 is the portion of the head mounted display seen on the left side of line 1-1 in FIG. 8.

The images on the head mounted display screen with transitional graphical user interface sequentially transition between the images shown in FIGS. 1-7. The process or period in which one image transitions to another image forms no part of the claimed design.

The broken lines represent the head mounted display with the head mounted display screen with transitional graphical user interface and form no part of the claimed design.

1 Claim, 12 Drawing Sheets



(58) **Field of Classification Search**

CPC G06F 3/048; G06F 3/0481; G06F 3/04817;
 G06F 3/0482; G06F 3/0483; G06F
 3/04842; G06F 3/0485; G06F 3/04855;
 G06F 3/0486; G06F 3/0488; G06F
 3/04886; G06F 9/4443; G06F 17/211;
 G06F 17/212

See application file for complete search history.

(56) **References Cited**

U.S. PATENT DOCUMENTS

D698,810	S *	2/2014	Misaki	D14/487
D727,933	S *	4/2015	Yang	D14/486
D737,288	S *	8/2015	Oda	D14/485
D738,382	S *	9/2015	Lim	D14/485
D738,385	S *	9/2015	Lim	D14/485
D760,274	S *	6/2016	Haitani	D14/488
D776,676	S *	1/2017	Shi	D14/485
D797,134	S *	9/2017	Jung	D14/486
D803,867	S *	11/2017	Haitani	D14/488
2007/0083911	A1 *	4/2007	Madden	G06F 3/0482 725/135
2011/0083103	A1 *	4/2011	Shim	G06F 3/0482 715/810

OTHER PUBLICATIONS

“Best Camera Apps to take DSLR Quality Photos on Android—
 2017 ♦♦♦♦♦♦♦♦♦♦” Jul. 14, 2017, YouTube, site visited Feb. 14,
 2019: <https://www.youtube.com/watch?v=IjY1ZM0xVal>.*

“Featured Android App Review: Snap Camera HDR [Photogra-
 phy]” Jun. 27, 2013, YouTube, site visited Feb. 14, 2019: <https://www.youtube.com/watch?v=Qlq8i04XHj8>.*

* cited by examiner

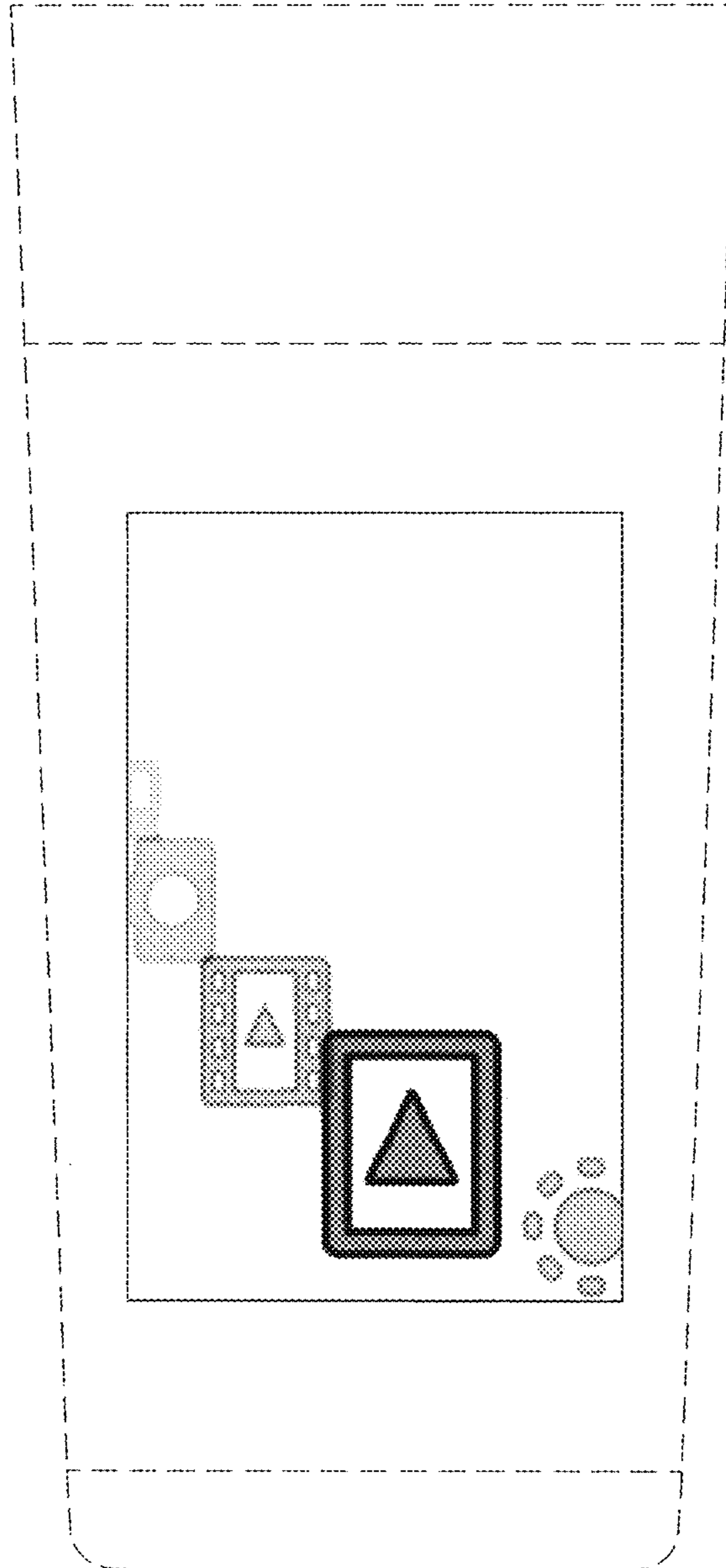


Fig. 1

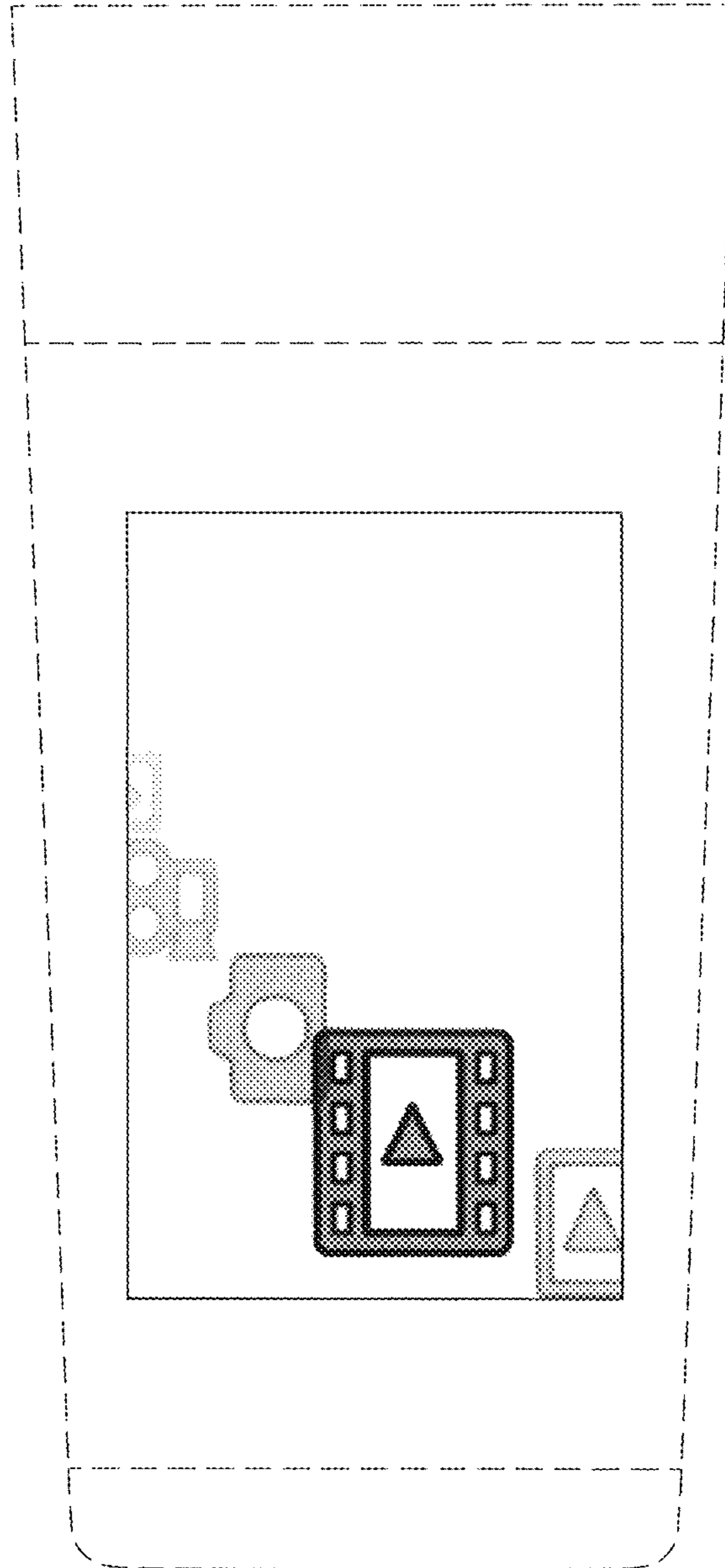


Fig. 2

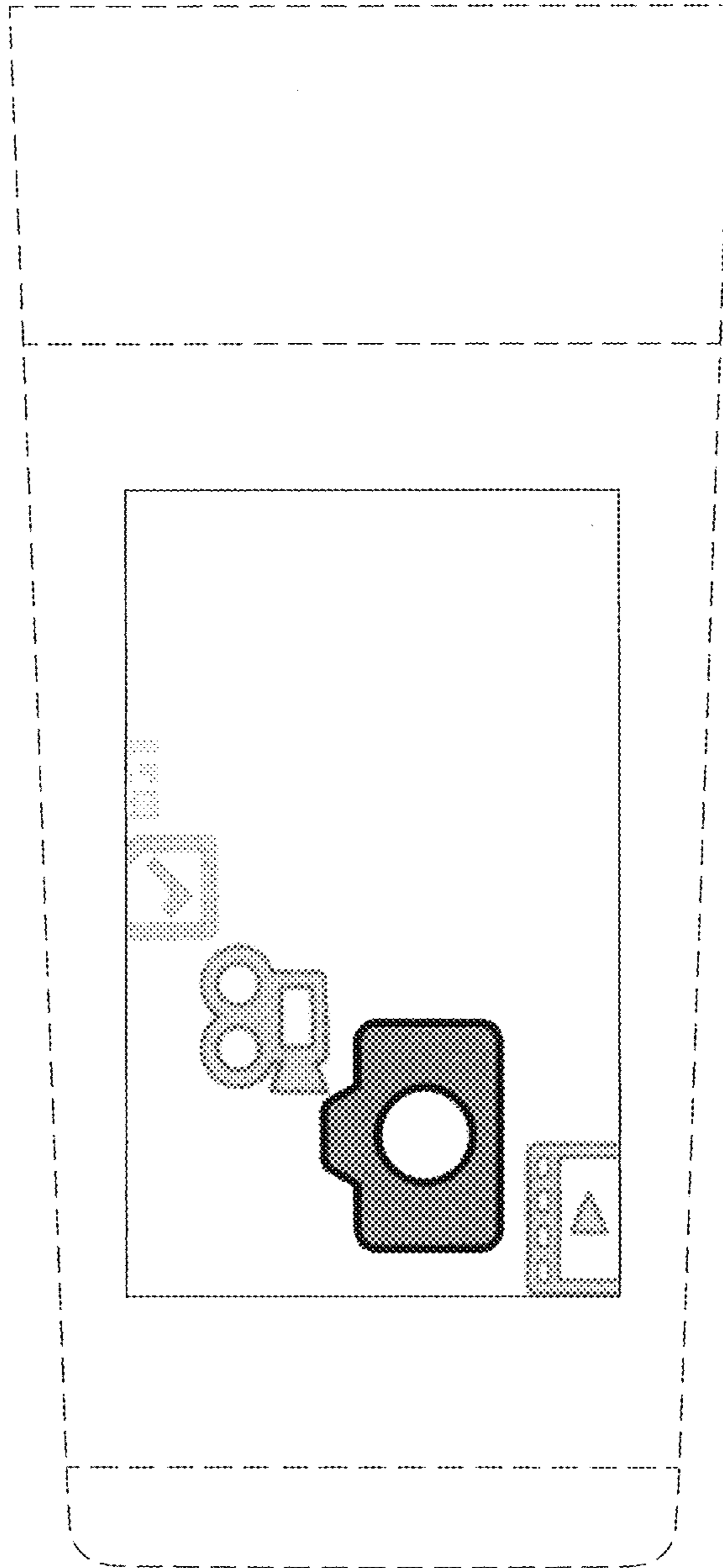


Fig. 3

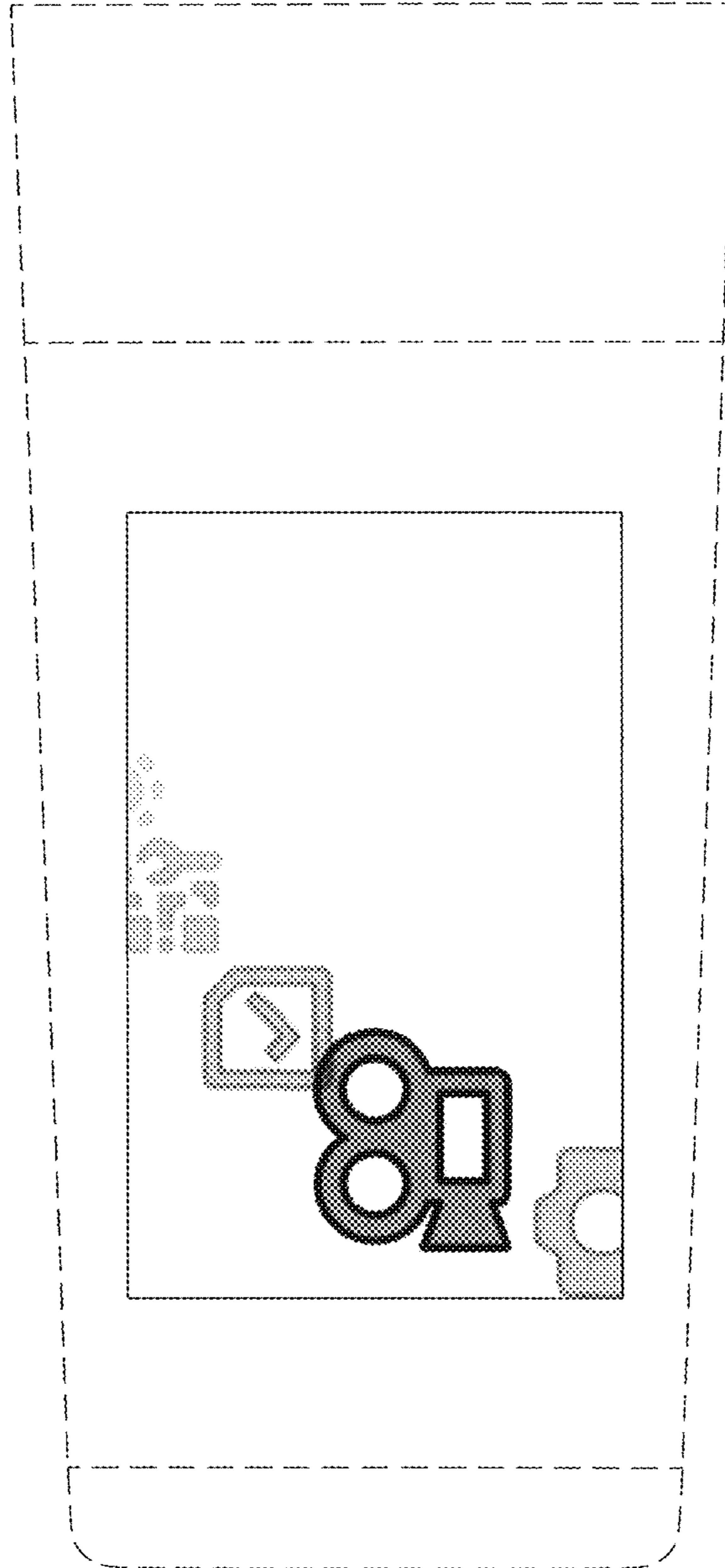


Fig. 4

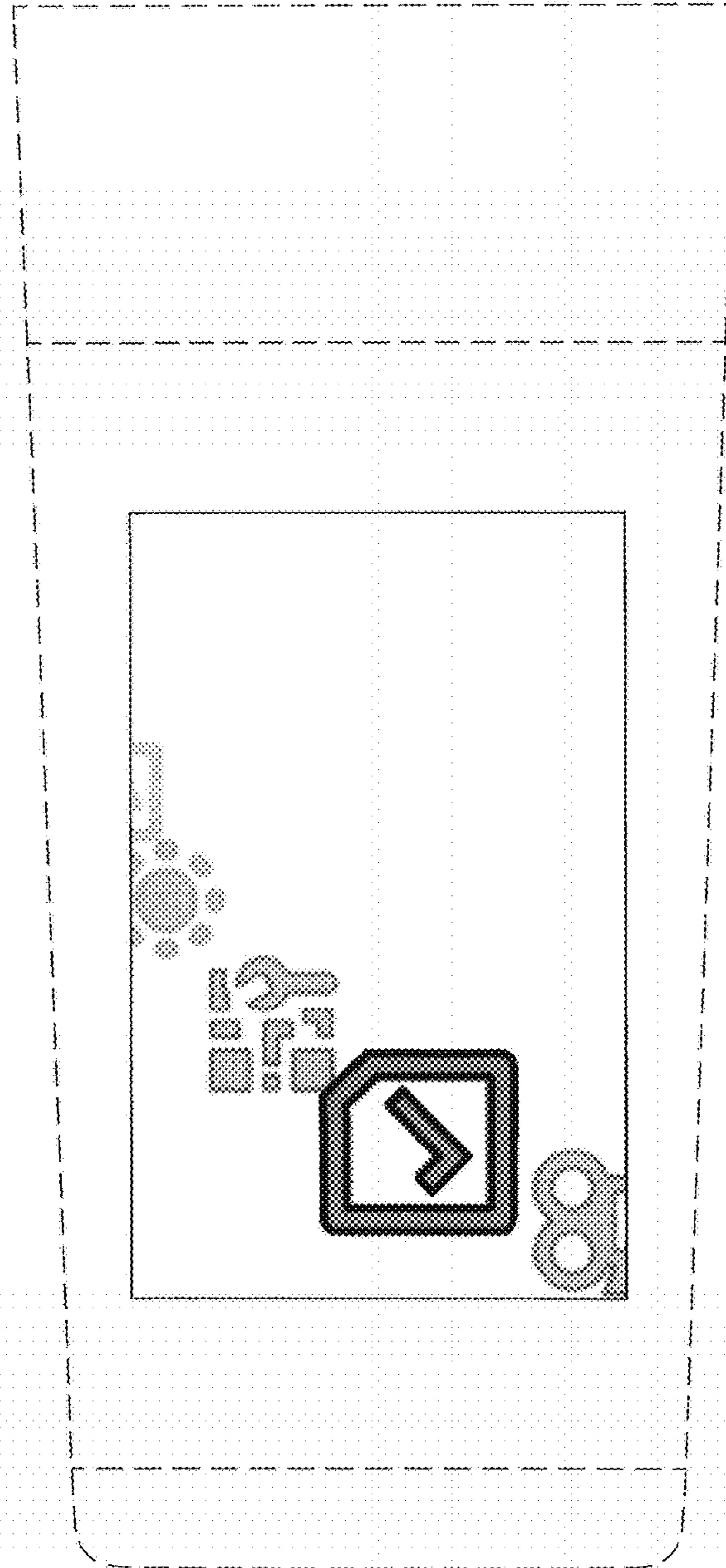


Fig. 5

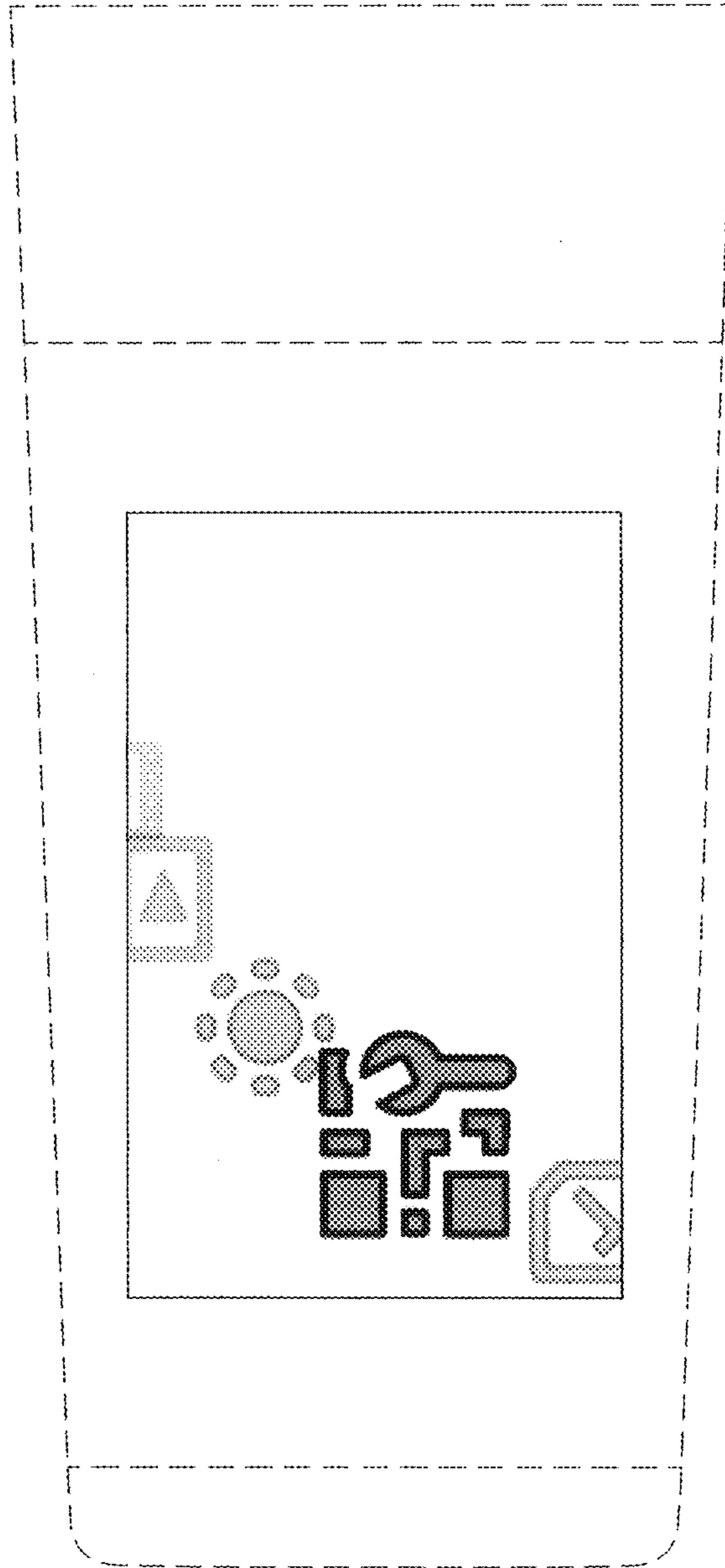


Fig. 6

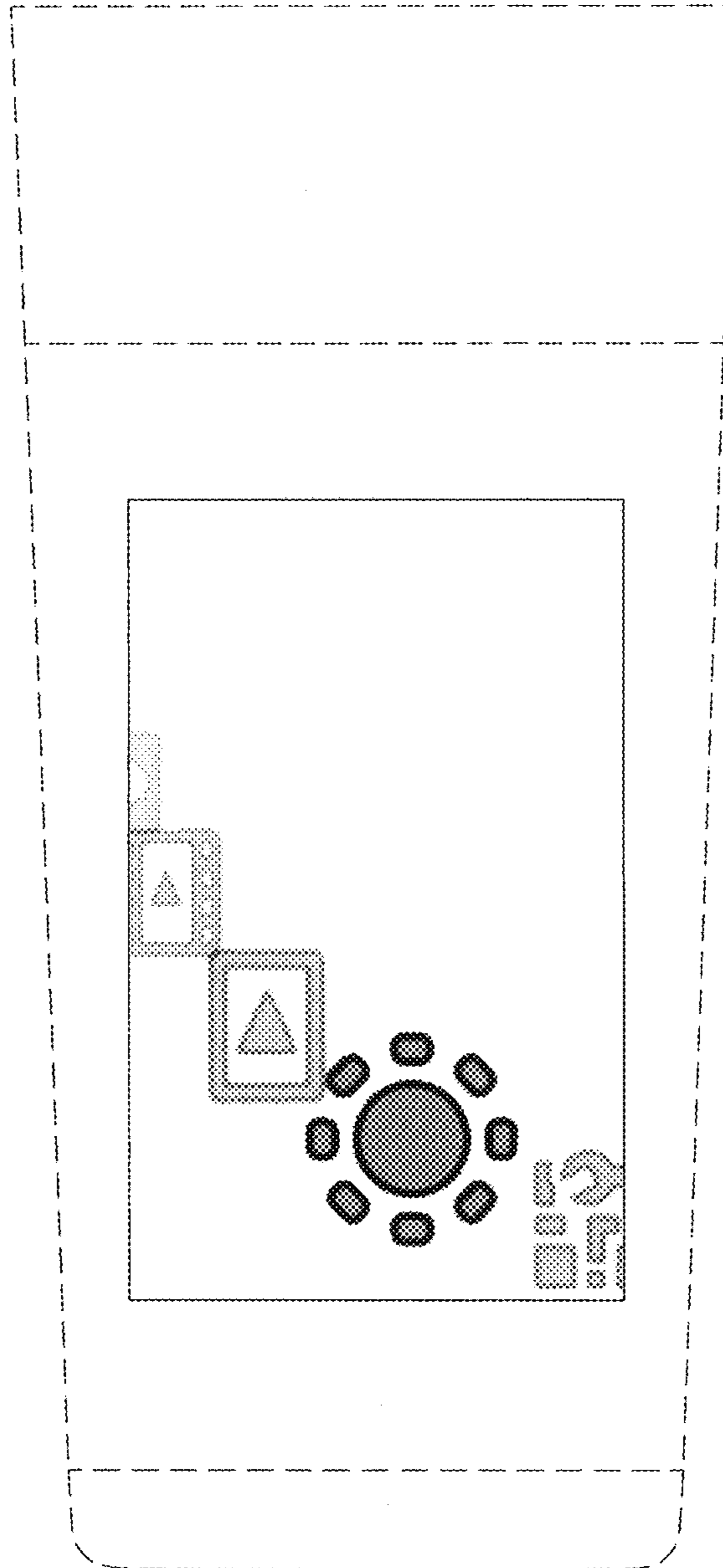


Fig. 7

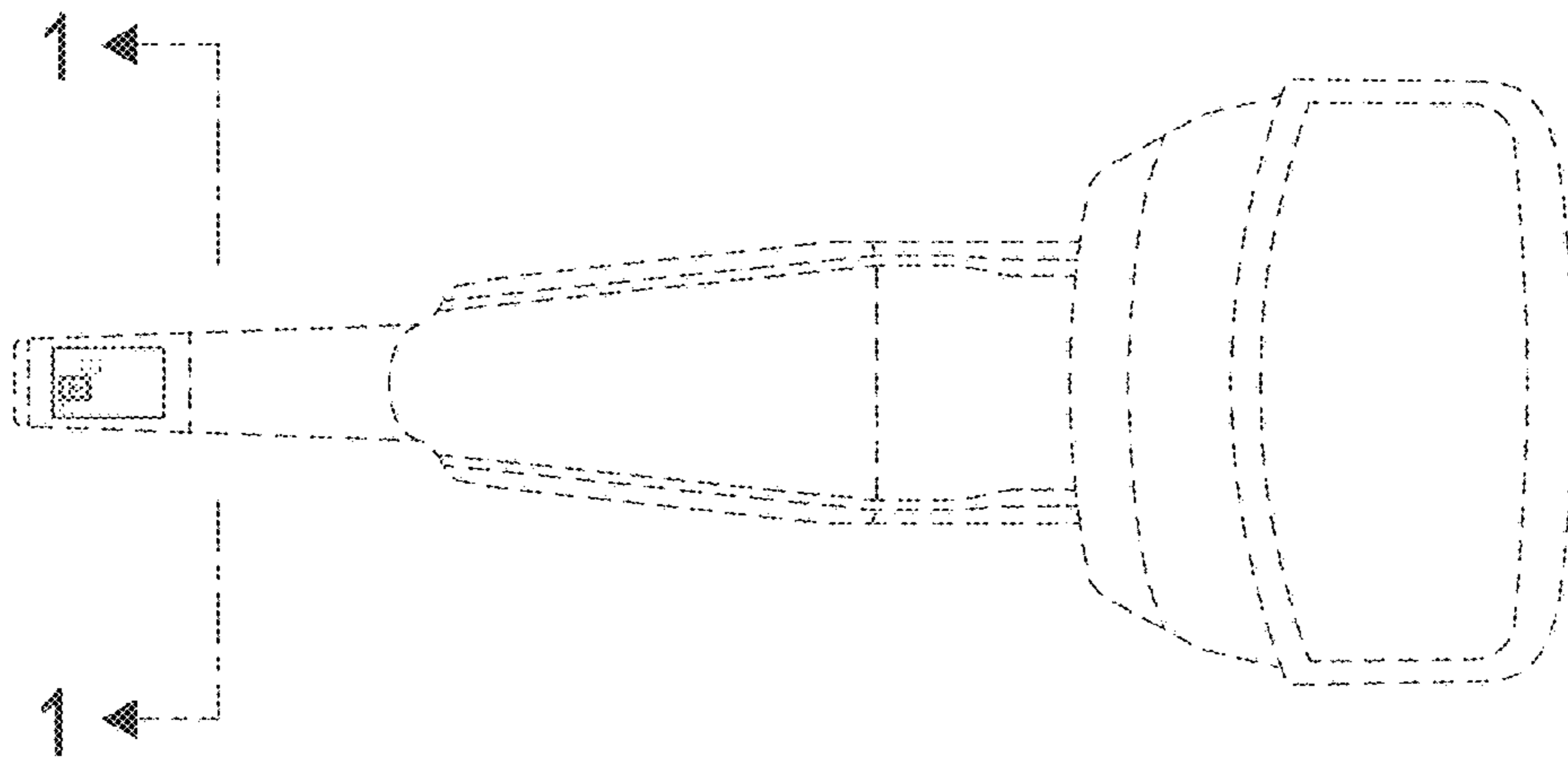


Fig. 8

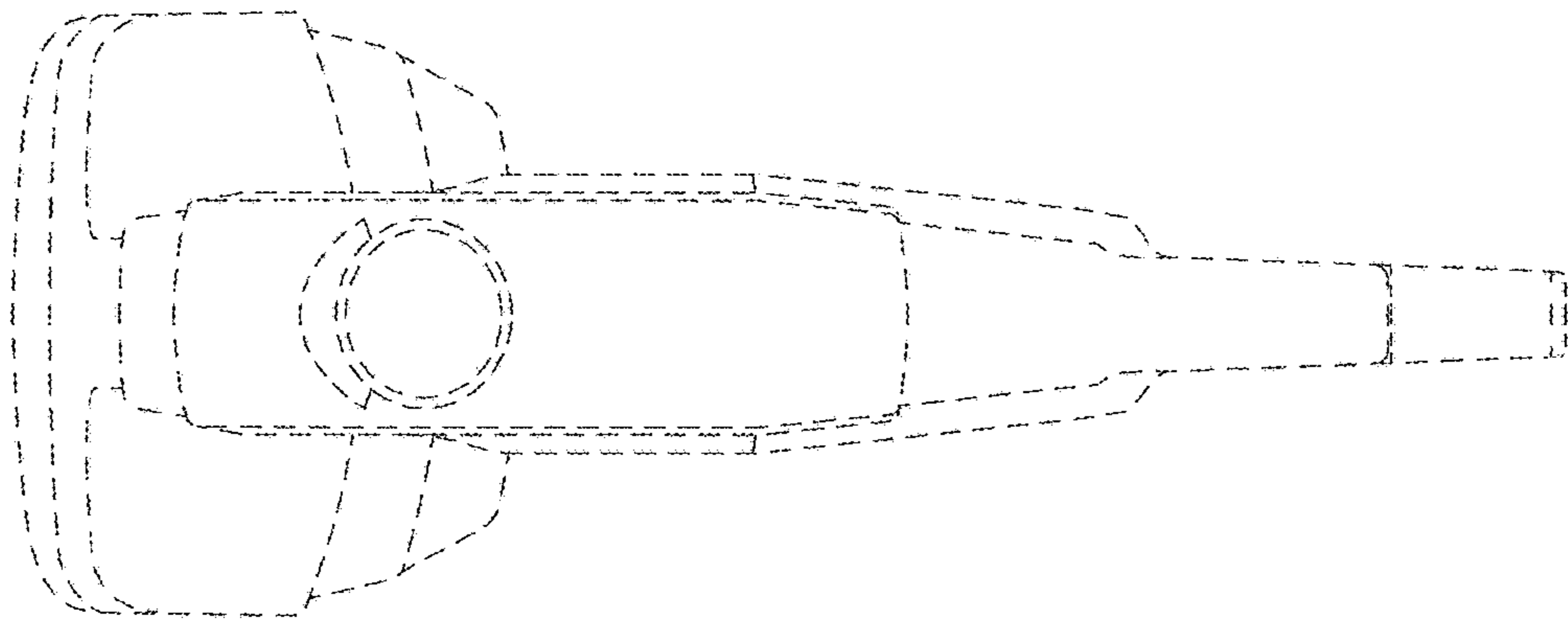


Fig. 9

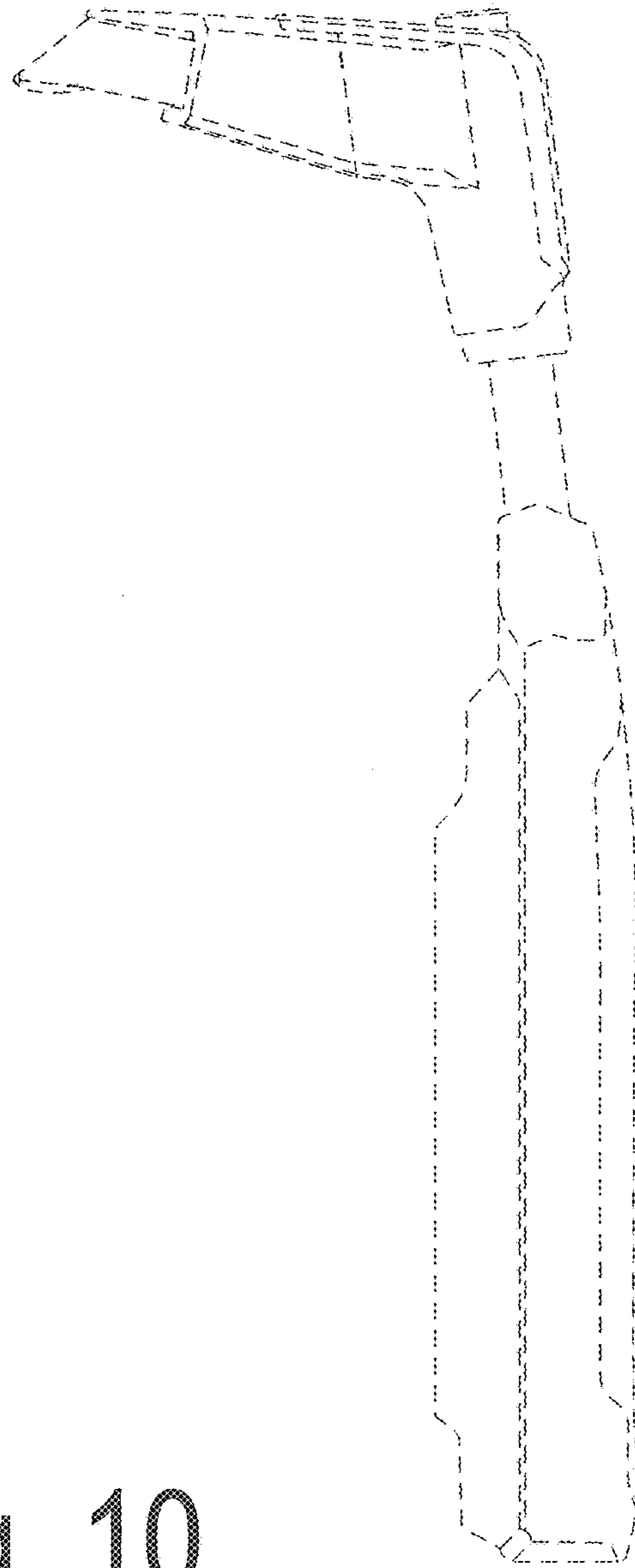
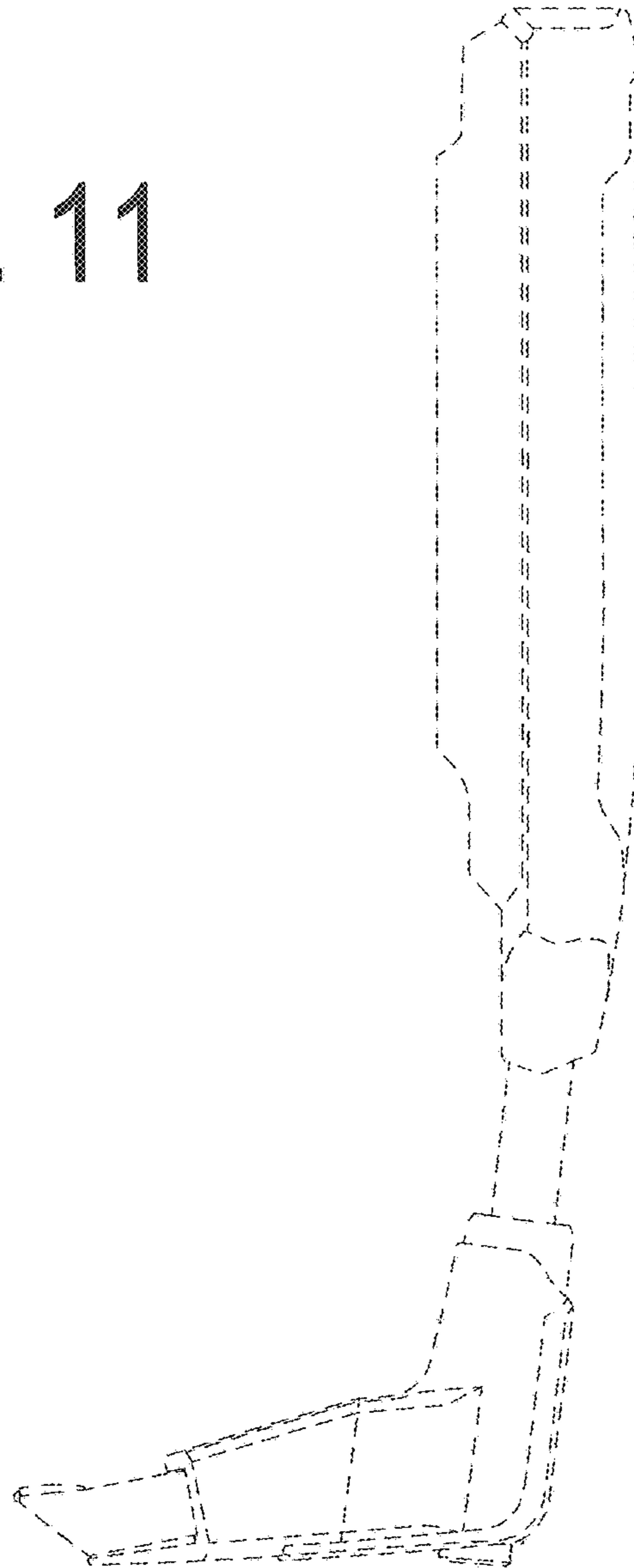


Fig. 10

Fig. 11



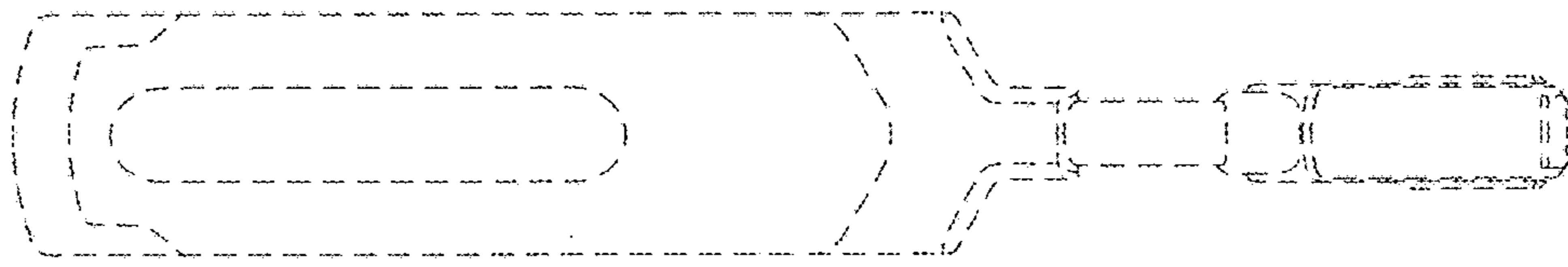


Fig. 12

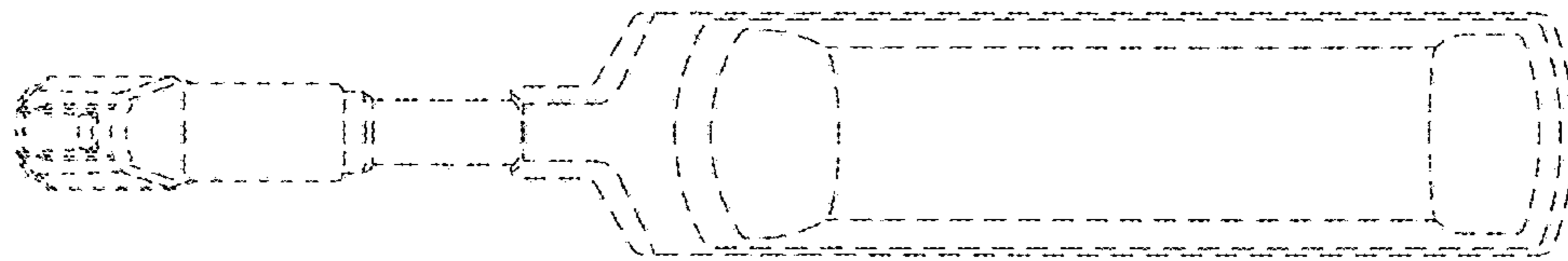


Fig. 13