



US00D853410S

(12) **United States Design Patent**
Barnett et al.

(10) **Patent No.:** **US D853,410 S**

(45) **Date of Patent:** **** Jul. 9, 2019**

(54) **DISPLAY PANEL PORTION WITH AN ANIMATED COMPUTER ICON**

(71) Applicant: **Google LLC**, Mountain View, CA (US)

(72) Inventors: **Don Barnett**, Monroe, WA (US); **John DiMartile**, Seattle, WA (US); **Alison Lentz**, Seattle, WA (US); **Rachel Lara Been**, San Francisco, CA (US)

(73) Assignee: **Google LLC**, Mountain View, CA (US)

(**) Term: **15 Years**

(21) Appl. No.: **29/611,600**

(22) Filed: **Jul. 24, 2017**

(51) **LOC (11) Cl.** **14-04**

(52) **U.S. Cl.**
USPC **D14/485**

(58) **Field of Classification Search**
USPC D14/485–495
CPC G06F 3/048; G06F 3/0481; G06F 3/0482;
G06F 3/04842; G06F 3/04817
See application file for complete search history.

(56) **References Cited**

U.S. PATENT DOCUMENTS

D485,279 S *	1/2004	DeCombe	D14/486
D663,743 S *	7/2012	Tanghe	D14/489
D736,823 S *	8/2015	Jiang	D14/488
D765,093 S *	8/2016	Sonoda	D14/485
D768,642 S *	10/2016	Li	D14/485
D768,645 S *	10/2016	Osotio	D14/485
D773,525 S *	12/2016	Quirino	D14/488
D790,567 S *	6/2017	Su	D14/486
D807,387 S *	1/2018	Cho	D14/486

D808,412 S *	1/2018	Jedrzejewicz	D14/486
D816,111 S *	4/2018	Cho	D14/488
D823,331 S *	7/2018	Ishitsuka	D14/486
D831,059 S *	10/2018	Bao	D14/486

OTHER PUBLICATIONS

CN Office Action issued in Chinese Application No. 201730633721.0, dated Aug. 6, 2018, 2 pages (English Translation).

* cited by examiner

Primary Examiner — Sheryl Lane

Assistant Examiner — Nicole C Shiflet

(74) *Attorney, Agent, or Firm* — Fish & Richardson P.C.

(57) **CLAIM**

The ornamental design for a display panel portion with an animated computer icon, substantially as shown and described.

DESCRIPTION

FIG. 1 is a front view of a first image in a sequence for a display panel portion with an animated computer icon, showing our new design.

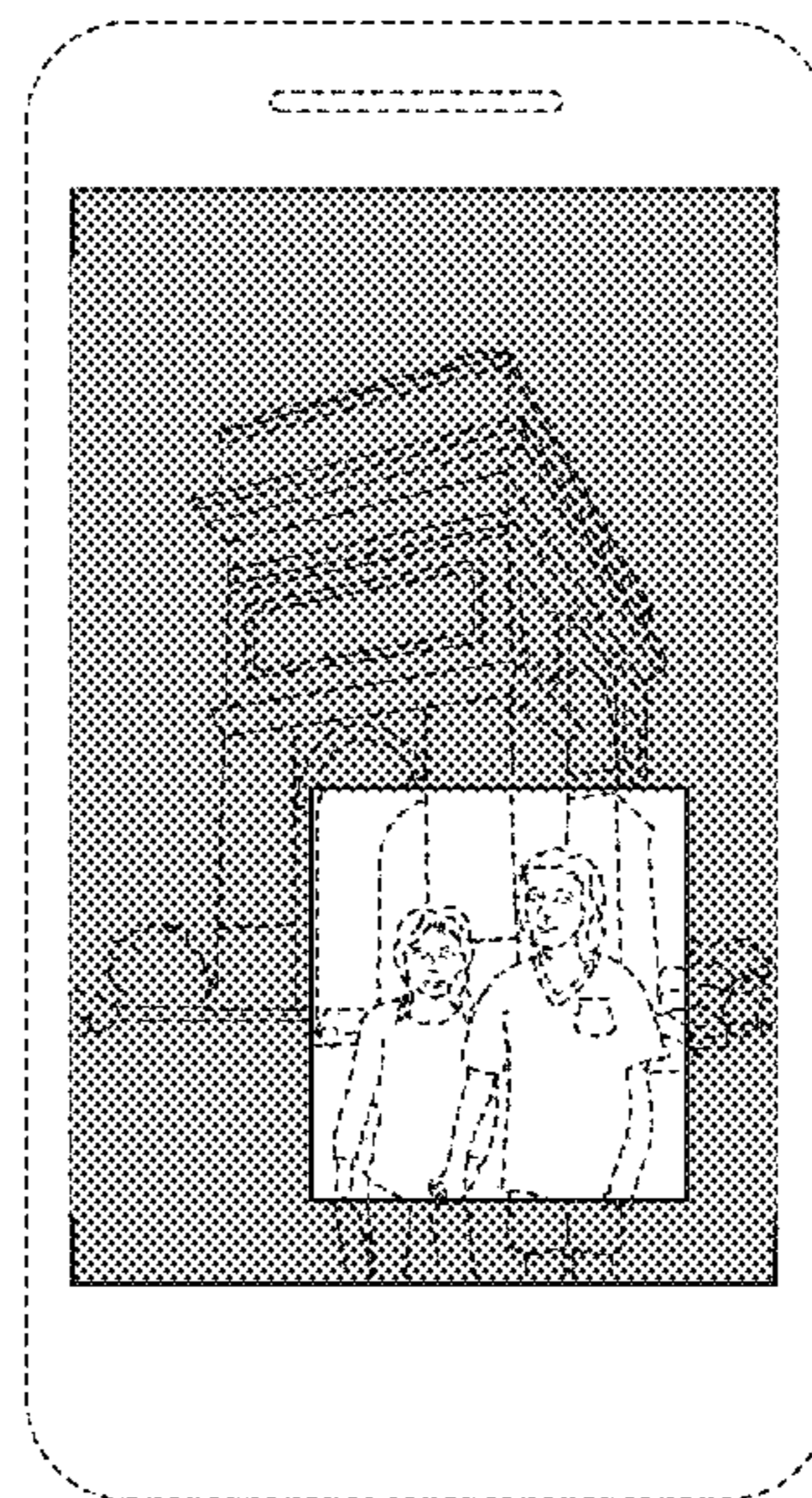
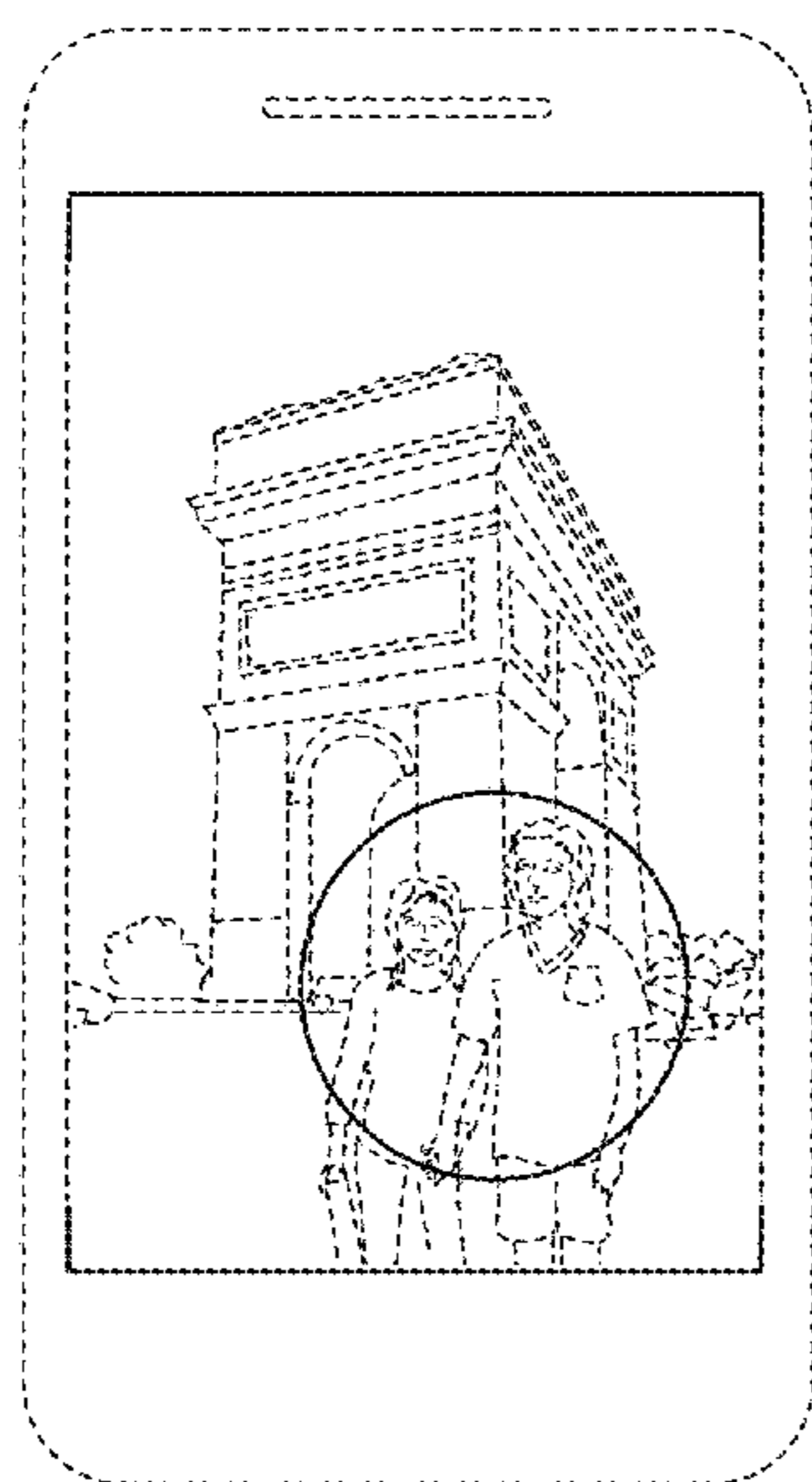
FIG. 2 is a front view of a second image in the sequence thereof; and,

FIG. 3 is a front view of a third image in the sequence thereof.

The appearance of the transitional image sequentially transitions between the images shown in FIGS. 1-3. The process or period in which one image transitions to another image forms no part of the claimed design.

The broken lines showing a portion of a display panel and portions of the animated computer icon in FIGS. 1-3 form no part of the claimed design.

1 Claim, 2 Drawing Sheets



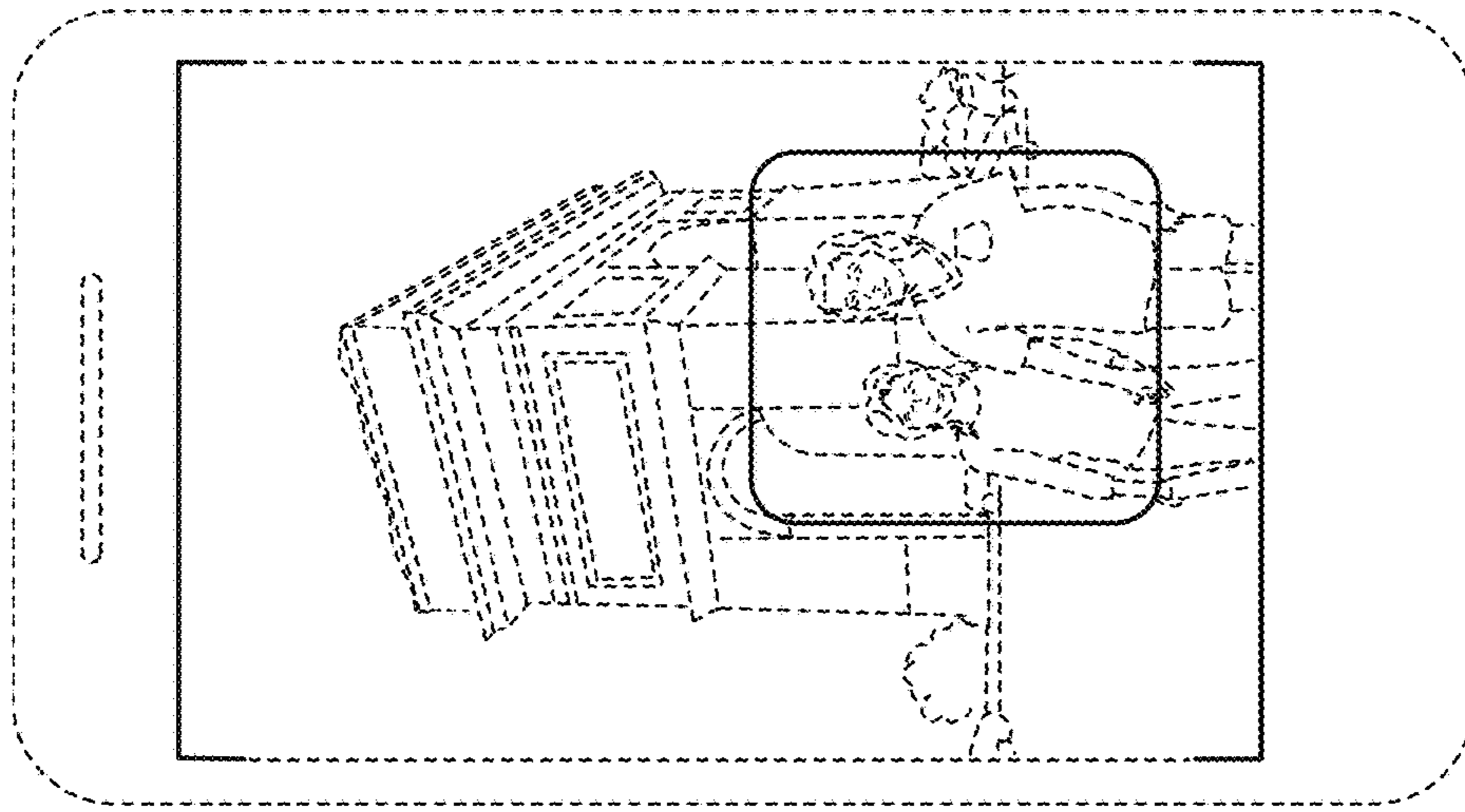


FIG. 2

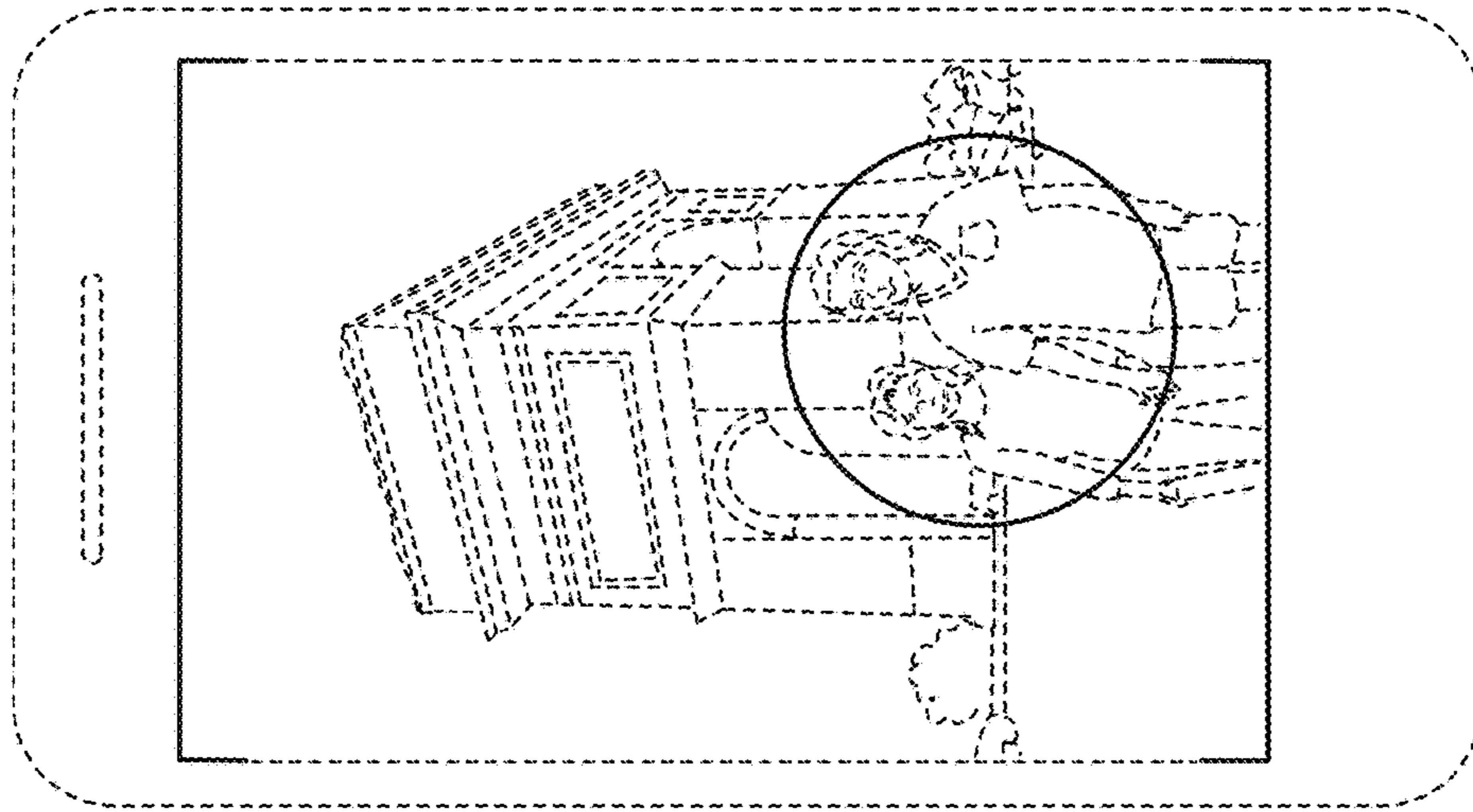


FIG. 1

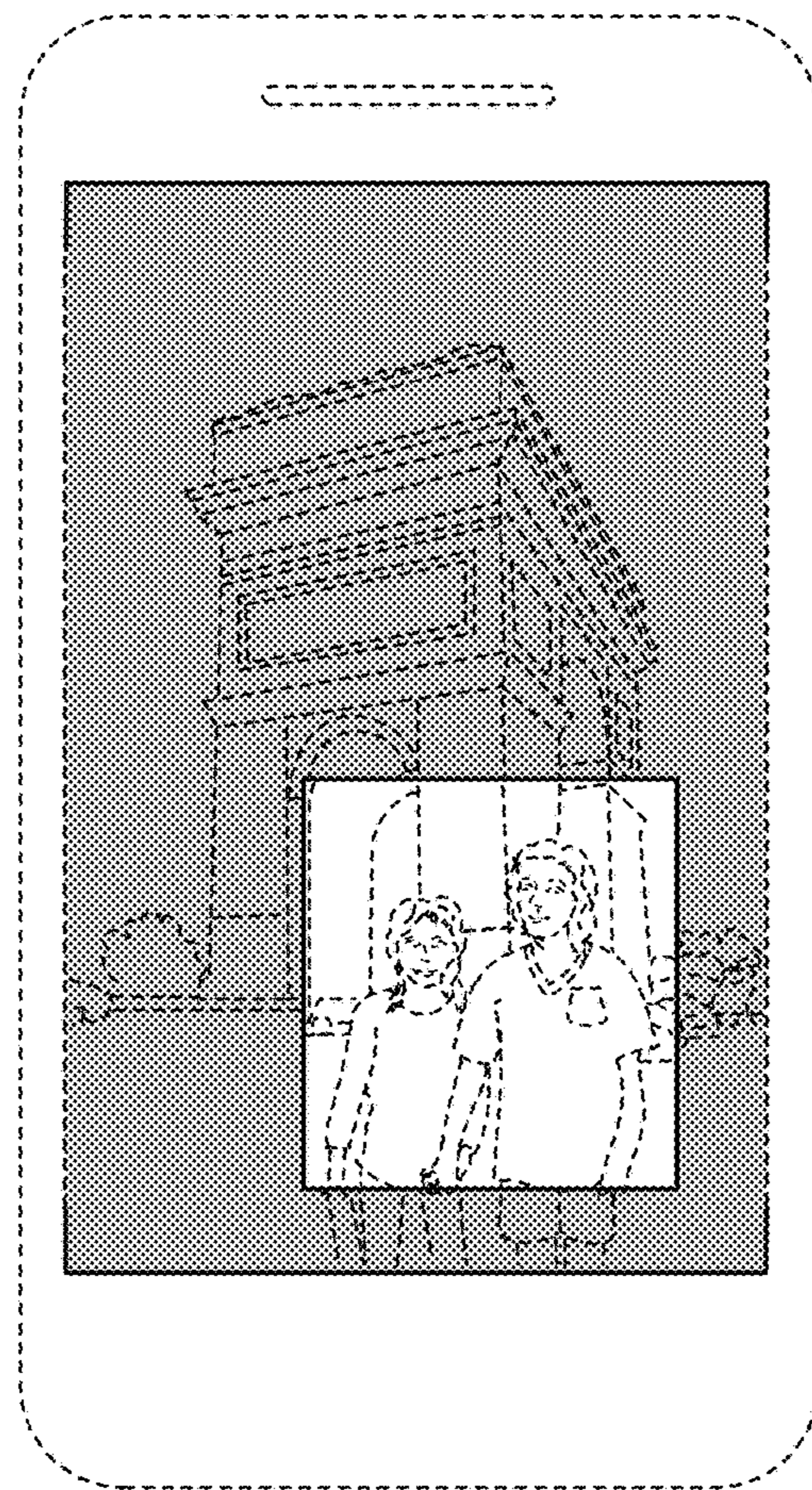


FIG. 3