



US00D853406S

(12) **United States Design Patent** (10) **Patent No.:** **US D853,406 S**  
**LaCrosse et al.** (45) **Date of Patent:** **\*\* Jul. 9, 2019**

(54) **DISPLAY SCREEN PORTION WITH GRAPHICAL USER INTERFACE OF A MODEL FOR REPLICATION IN STRUCTURED BLOCK PLAY**

(71) Applicants: **Jim LaCrosse**, Indianapolis, IN (US);  
**John Baker**, Indianapolis, IN (US)

(72) Inventors: **Jim LaCrosse**, Indianapolis, IN (US);  
**John Baker**, Indianapolis, IN (US)

(\*\*) Term: **15 Years**

(21) Appl. No.: **29/577,030**

(22) Filed: **Sep. 8, 2016**

(51) **LOC (11) Cl.** ..... **14-04**

(52) **U.S. Cl.**  
USPC ..... **D14/485**

(58) **Field of Classification Search**  
USPC ..... D14/485-495; D21/484, 500, 506

(Continued)

(56) **References Cited**

**U.S. PATENT DOCUMENTS**

2,147,237 A \* 2/1939 Bluthardt ..... A63H 33/04  
446/85  
D128,374 S \* 7/1941 Herman ..... D21/480  
(Continued)

**OTHER PUBLICATIONS**

Blocks Rock STEM Game, dated Mar. 5, 2018, bloglovin.com [online]. Retrieved Dec. 27, 2018 from internet <URL:https://www.bloglovin.com/blogs/what-teacher-wants-3914821/blocks-rock-stem-game-6200122119> (Year: 2018).\*

*Primary Examiner* — Cathron C Brooks  
*Assistant Examiner* — Andrew T Nemeth

(74) *Attorney, Agent, or Firm* — Bose McKinney & Evans LLP

(57) **CLAIM**

The ornamental design for a display screen portion with graphical user interface of a model for replication in structured block play, as shown and described.

**DESCRIPTION**

FIG. 1 is a front view of a display screen portion with graphical user interface of a model for replication in structured block play depicting an upper right front isometric view of the model, that illustrates the novel design;

FIG. 2 is a front view of a display screen portion with graphical user interface of a model for replication in structured block play depicting an upper left rear isometric view of the model of FIG. 1;

FIG. 3 is a front view of a display screen portion with graphical user interface of a model for replication in structured block play depicting a front orthographic view of the model of FIG. 1;

FIG. 4 is a front view of a display screen portion with graphical user interface of a model for replication in structured block play depicting a right side orthographic view of the model of FIG. 1;

FIG. 5 is a front view of a display screen portion with graphical user interface of a model for replication in structured block play depicting a left side orthographic view of the model of FIG. 1;

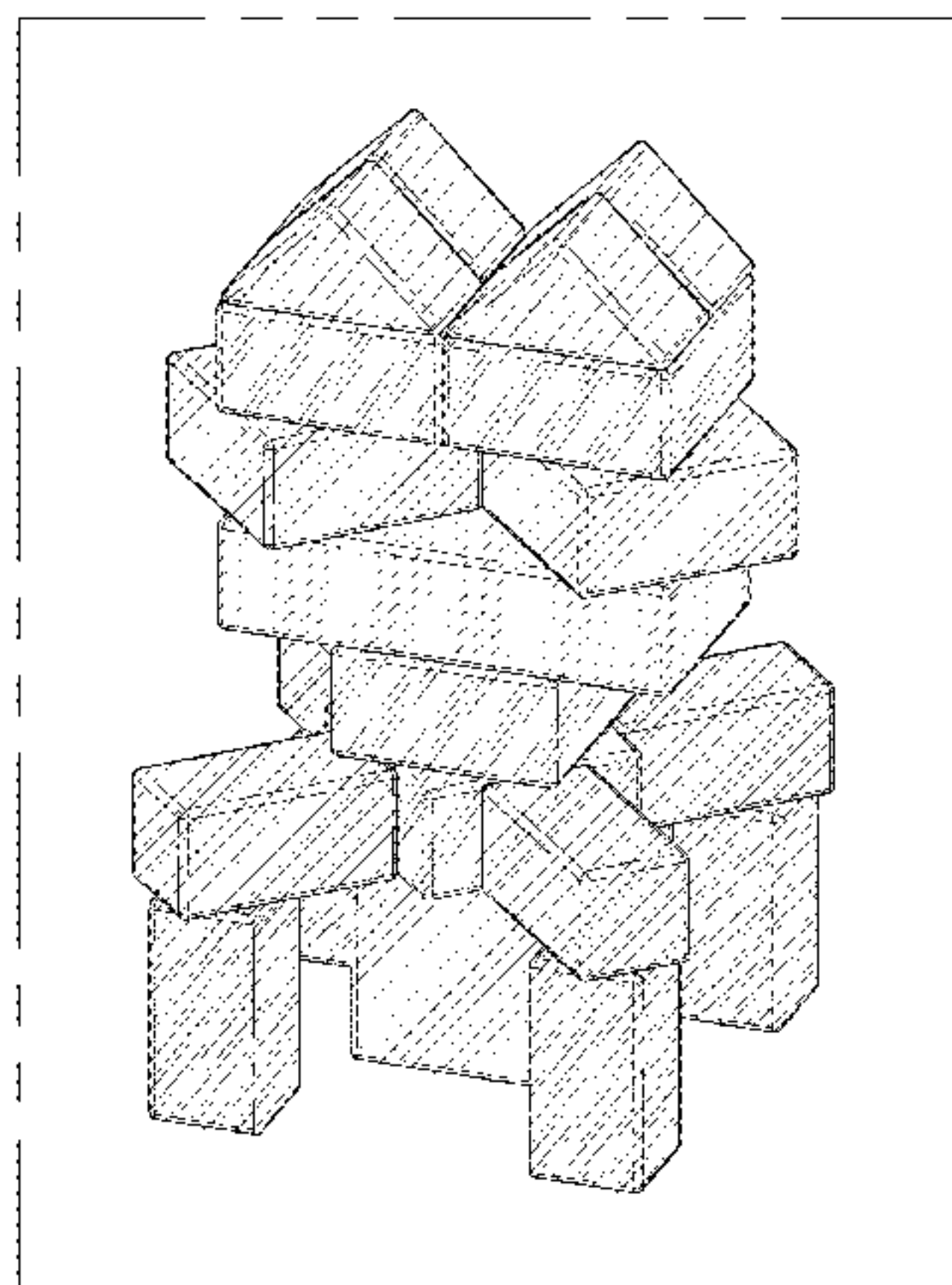
FIG. 6 is a front view of a display screen portion with graphical user interface of a model for replication in structured block play depicting a top orthographic view of the model of FIG. 1;

FIG. 7 is a front view of a display screen portion with graphical user interface of a model for replication in structured block play depicting a bottom orthographic view of the model of FIG. 1; and,

FIG. 8 is a front view of a display screen portion with graphical user interface of a model for replication in structured block play depicting a rear orthographic view of the model of FIG. 1.

The appearance of the graphical user interface sequentially transitions between the images shown in FIGS. 1-8. The process or period in which one image transitions to another image forms no part of the claimed design.

(Continued)



The broken lines illustrate a portion of a display screen and form no part of the claimed design. In the drawings, different line patterns illustrate a contrast of appearance but do not depict any particular color, texture or material.

**1 Claim, 8 Drawing Sheets**

(58) **Field of Classification Search**

CPC ..... G06F 3/048-04897  
See application file for complete search history.

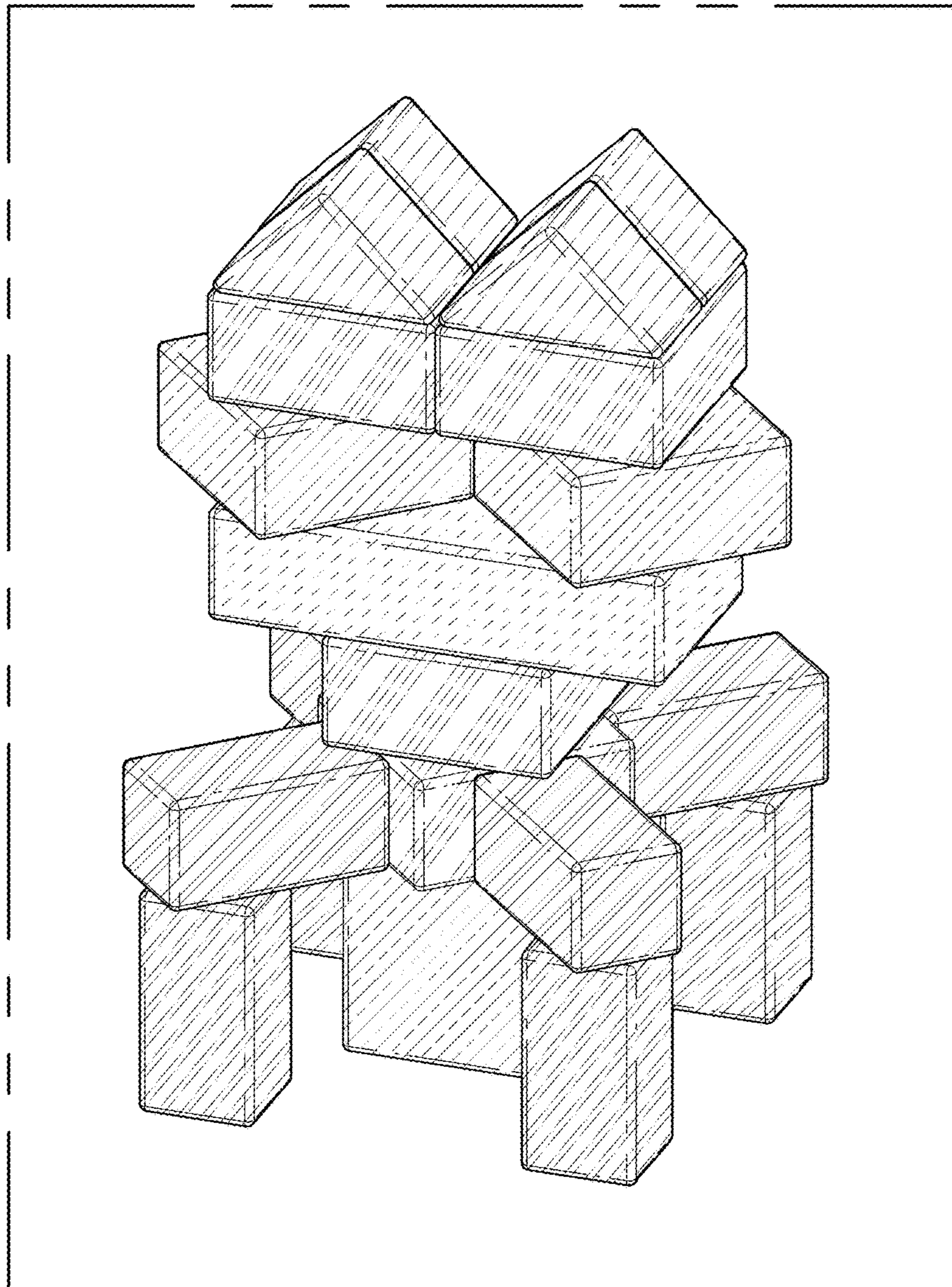
(56) **References Cited**

U.S. PATENT DOCUMENTS

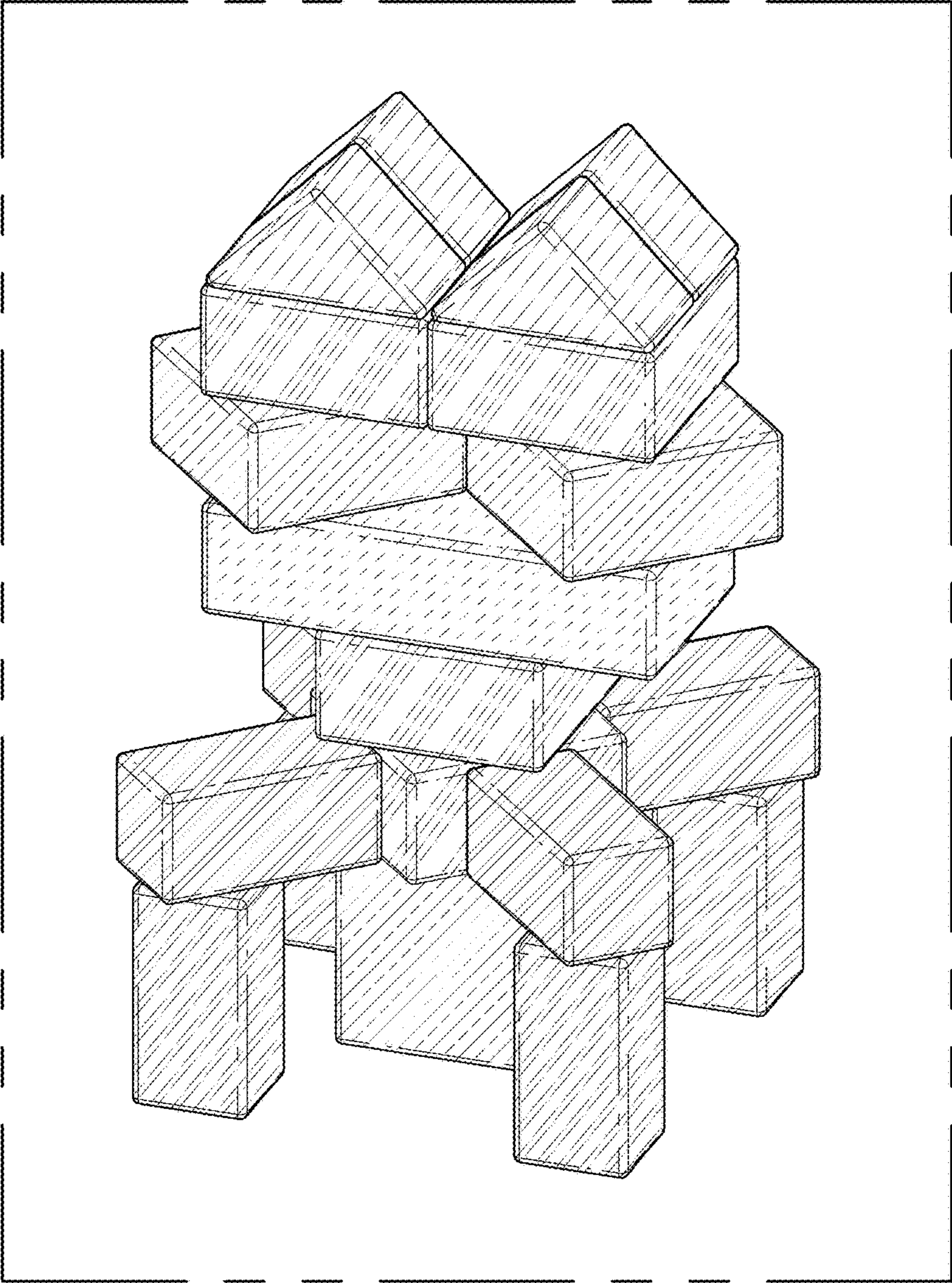
2,309,579 A \* 1/1943 Duran ..... A63H 33/001  
249/119  
D155,329 S \* 9/1949 Sherman ..... 52/609  
3,546,792 A \* 12/1970 Sherman ..... A63H 33/088  
273/160  
D370,700 S \* 6/1996 Henrichsen ..... D21/500  
D432,592 S \* 10/2000 Yip ..... D21/480  
D594,512 S \* 6/2009 Richards ..... D21/484  
D629,851 S \* 12/2010 Kojima ..... D21/484  
D667,507 S \* 9/2012 Reyero ..... D21/484  
D683,799 S \* 6/2013 Kiecker ..... D21/484  
D704,278 S \* 5/2014 Reyero ..... D21/484  
D734,820 S \* 7/2015 Lee ..... D21/484  
D832,365 S \* 10/2018 Williams ..... D21/484  
2018/0065058 A1 \* 3/2018 LaCrosse ..... G06T 19/20  
2018/0068574 A1 \* 3/2018 LaCrosse ..... G09B 5/065

\* cited by examiner



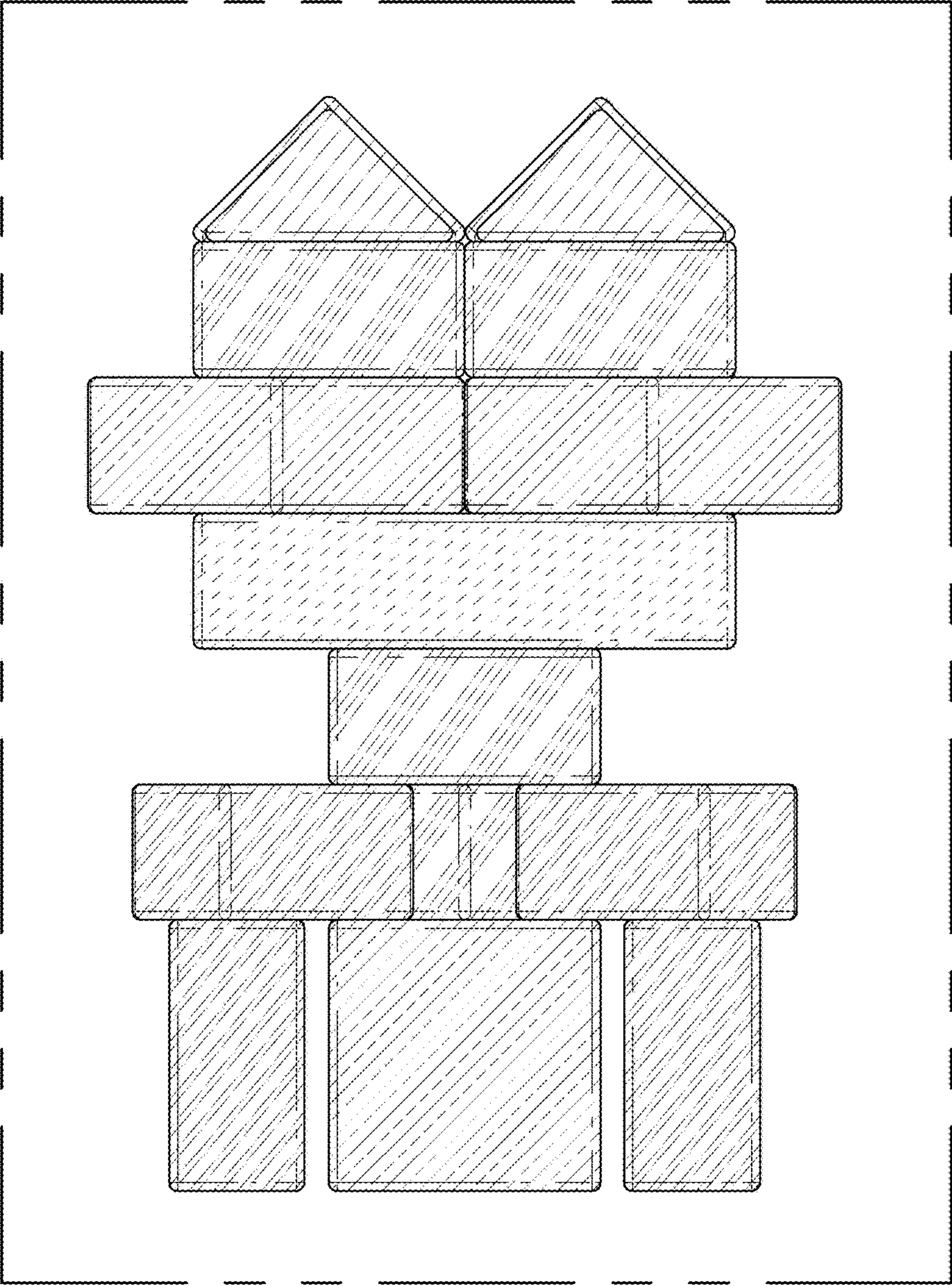


**Fig. 1**

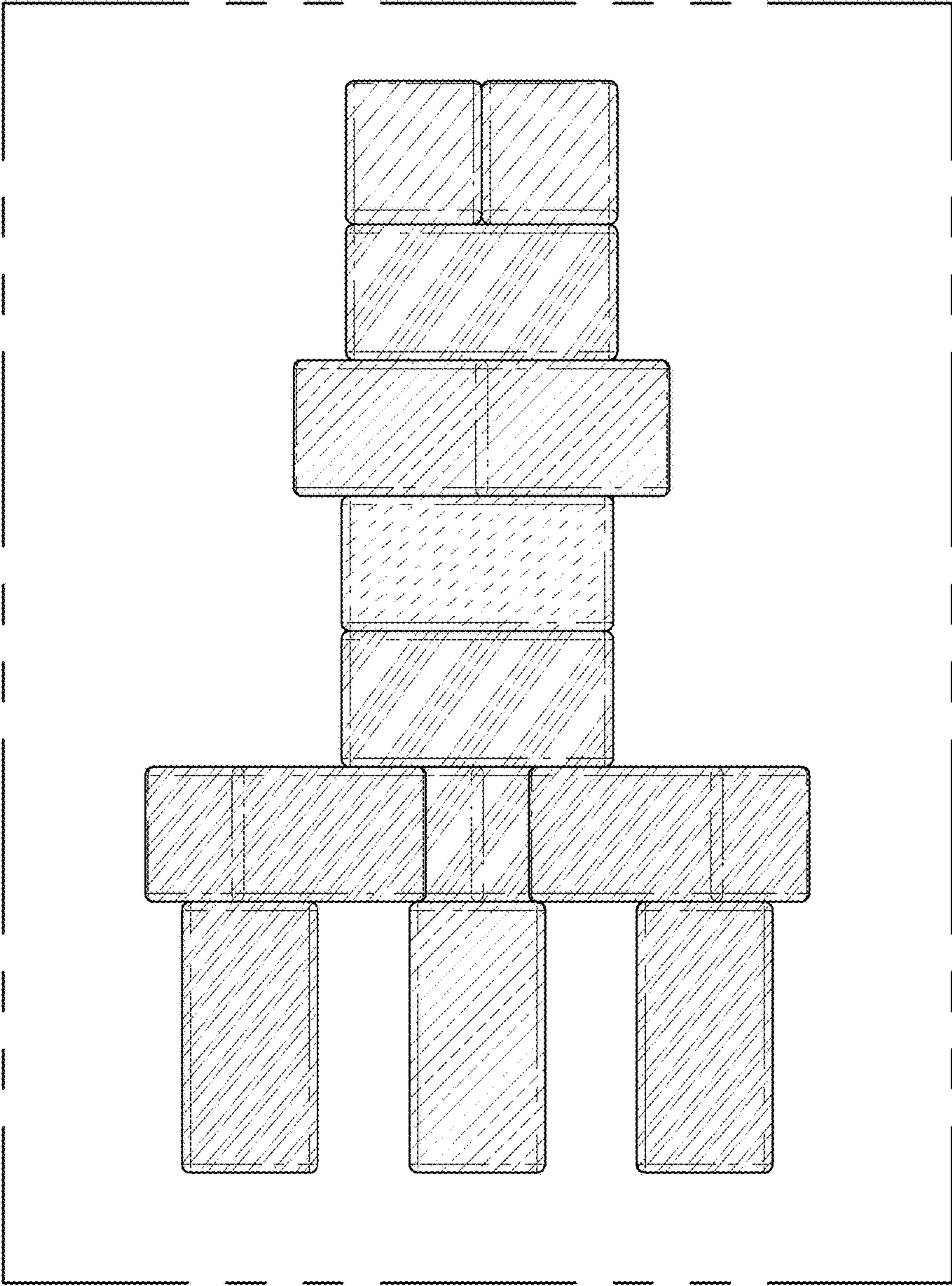


**Fig. 2**

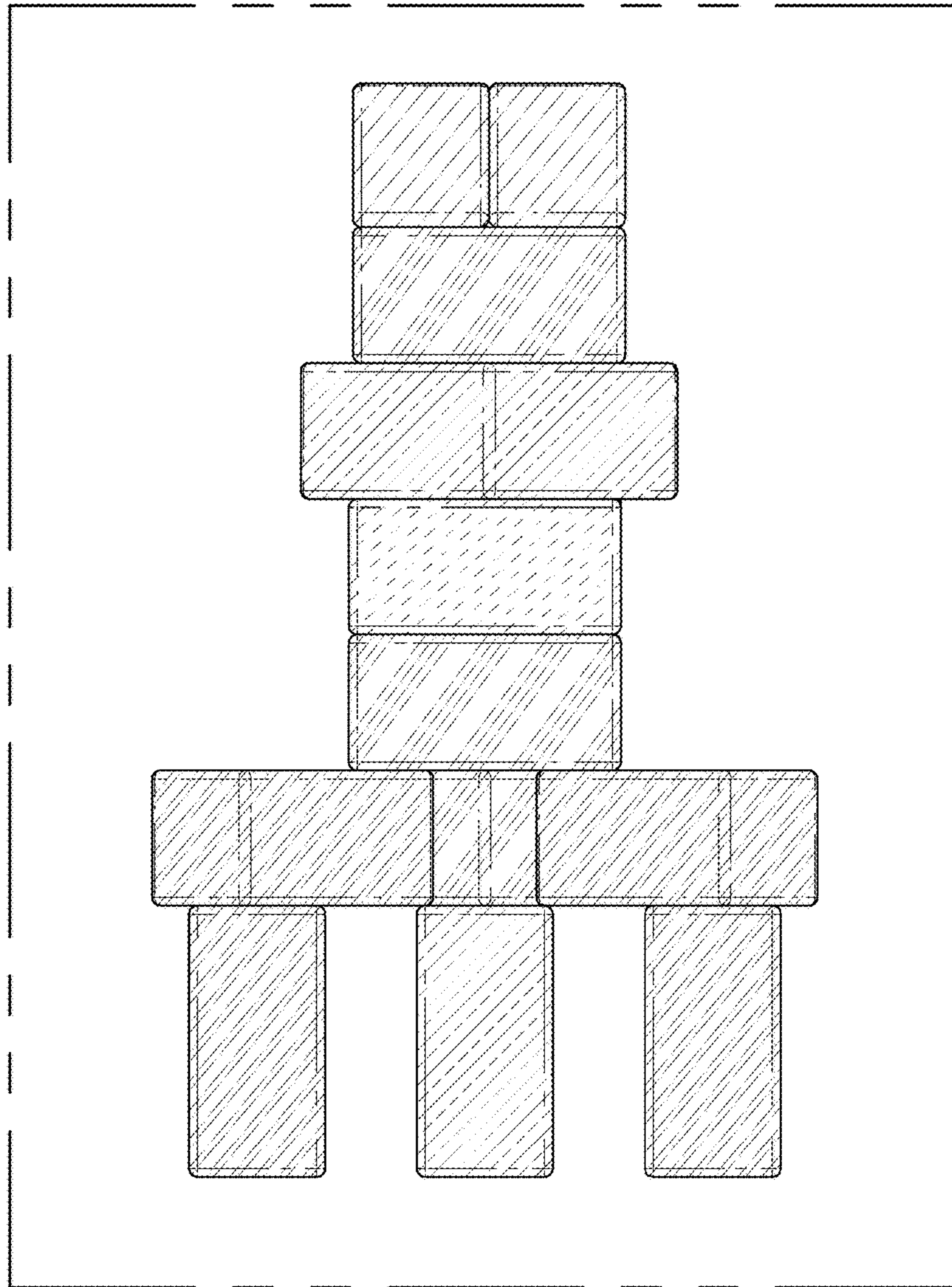




**Fig. 3**

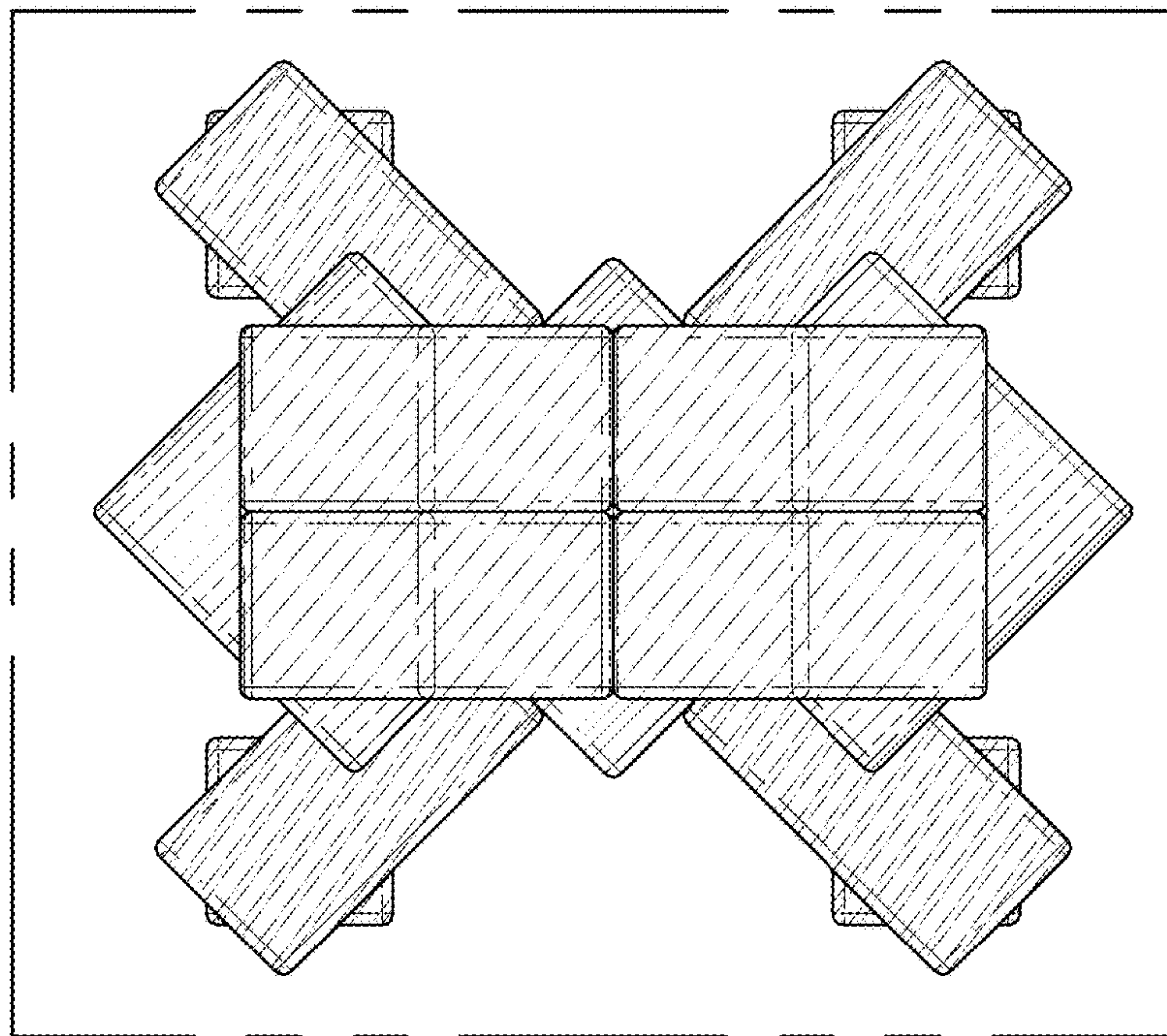


**Fig. 4**



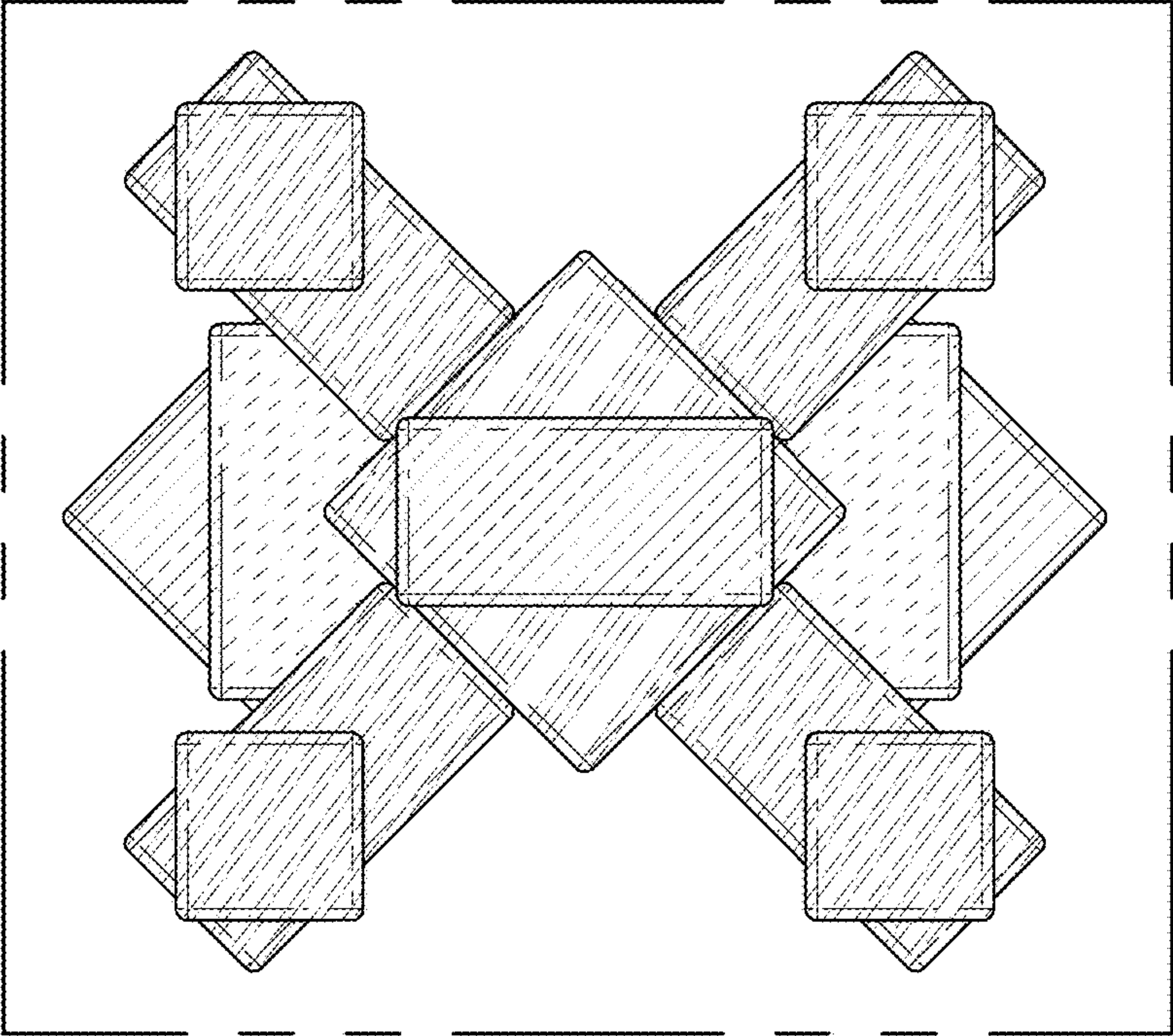
**Fig. 5**



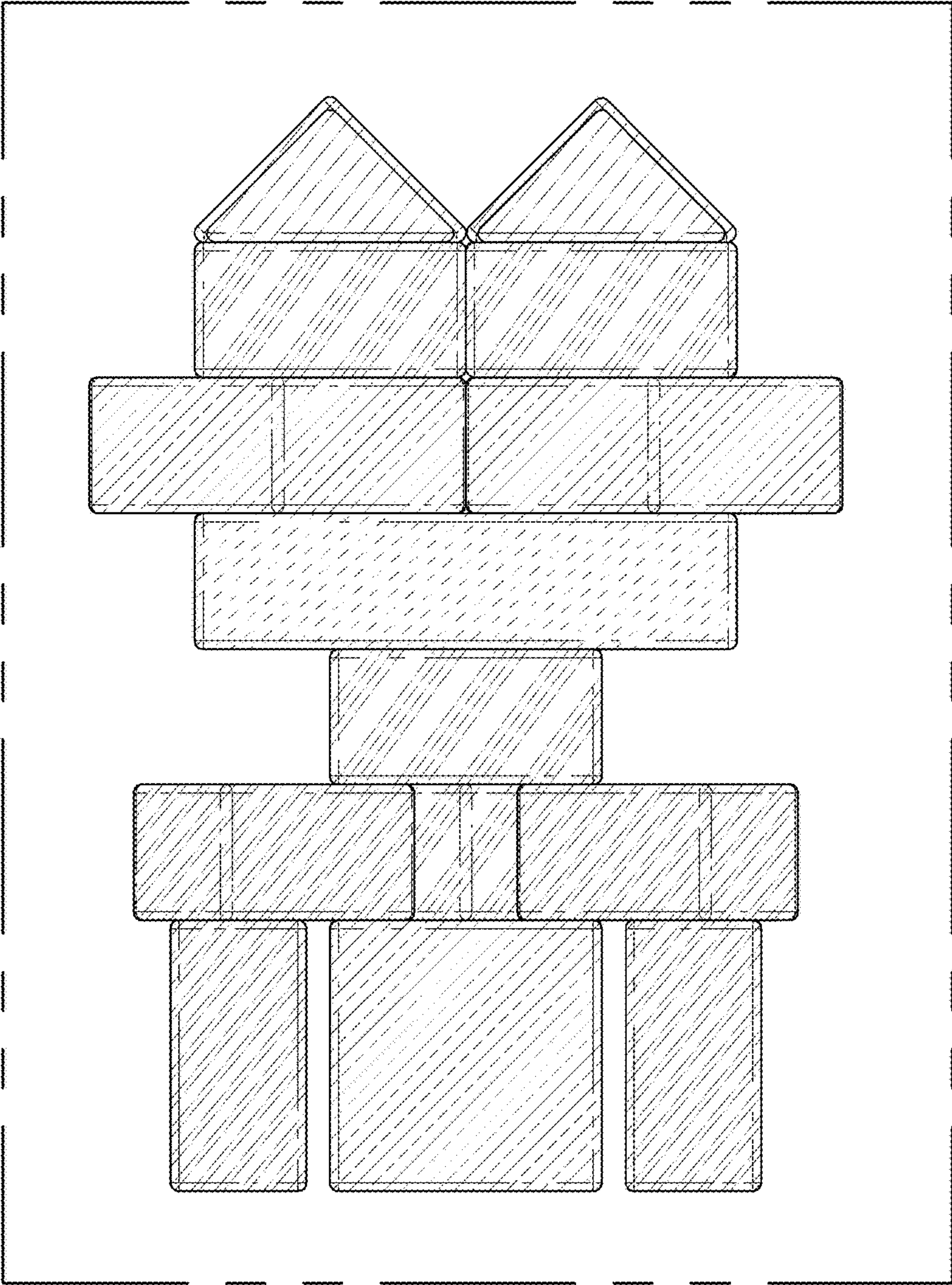


**Fig. 6**





**Fig. 7**



**Fig. 8**