



US00D853404S

(12) **United States Design Patent** (10) **Patent No.:** **US D853,404 S**  
**Bowman et al.** (45) **Date of Patent:** **\*\* Jul. 9, 2019**

(54) **SUPPORT APPARATUS**

(71) Applicant: **Innovative Office Products, LLC**,  
Easton, PA (US)

(72) Inventors: **Stephen J. Bowman**, Allentown, PA  
(US); **Peter J. Carrasquillo**, Columbia,  
MO (US); **Michael P. Smith**,  
Allentown, PA (US); **Carl J. Hochberg**,  
Lehighon, PA (US)

(73) Assignee: **Innovative Office Products, LLC**,  
Easton, PA (US)

(\*\*) Term: **15 Years**

(21) Appl. No.: **29/611,623**

(22) Filed: **Jul. 24, 2017**

**Related U.S. Application Data**

(63) Continuation of application No. 29/493,274, filed on  
Jun. 6, 2014, now Pat. No. Des. 805,523.

(51) **LOC (11) Cl.** ..... **14-02**

(52) **U.S. Cl.**  
USPC ..... **D14/452**

(58) **Field of Classification Search**  
USPC ..... D14/447-452, 336, 341, 371, 373, 374,  
D14/375, 376, 377, 126, 127, 128, 129  
CPC .... F16M 11/105; F16M 11/10; F16M 11/048;  
F16M 11/12; F16M 13/022  
See application file for complete search history.

(56) **References Cited**

**U.S. PATENT DOCUMENTS**

D472,556 S \* 4/2003 Scharer ..... D14/452  
D491,952 S \* 6/2004 Oddsen ..... D14/447  
6,938,869 B2 \* 9/2005 Lin ..... F16M 11/28  
248/161  
D787,237 S \* 5/2017 Bowman ..... D6/656.15  
D805,523 S \* 12/2017 Bowman ..... D14/452

9,958,108 B2 \* 5/2018 Bowman ..... F16M 11/18  
D831,623 S \* 10/2018 Sommerfield ..... D14/238  
2004/0011938 A1 \* 1/2004 Oddsen, Jr. .... F16M 11/10  
248/393  
2005/0258319 A1 \* 11/2005 Jeong ..... F16M 11/105  
248/176.1  
2007/0205340 A1 \* 9/2007 Jung ..... F16M 11/24  
248/125.9  
2007/0252919 A1 11/2007 McGreevy  
(Continued)

**FOREIGN PATENT DOCUMENTS**

EM 002344952-0001 \* 1/2014

**OTHER PUBLICATIONS**

Amazon.com. Link: [https://www.amazon.com/dp/B00M1BV1AE/ref=cm\\_sw\\_em\\_r\\_mt\\_dp\\_U\\_SD5mCb3VEE5CV](https://www.amazon.com/dp/B00M1BV1AE/ref=cm_sw_em_r_mt_dp_U_SD5mCb3VEE5CV). Jul. 23, 2014.  
Ergotron 33-396-085 Neo-Flex Dual LCD Lift Stand. (Year: 2014).  
(Continued)

*Primary Examiner* — Susan Bennett Hattan  
*Assistant Examiner* — Lauren D McVey  
(74) *Attorney, Agent, or Firm* — Design IP

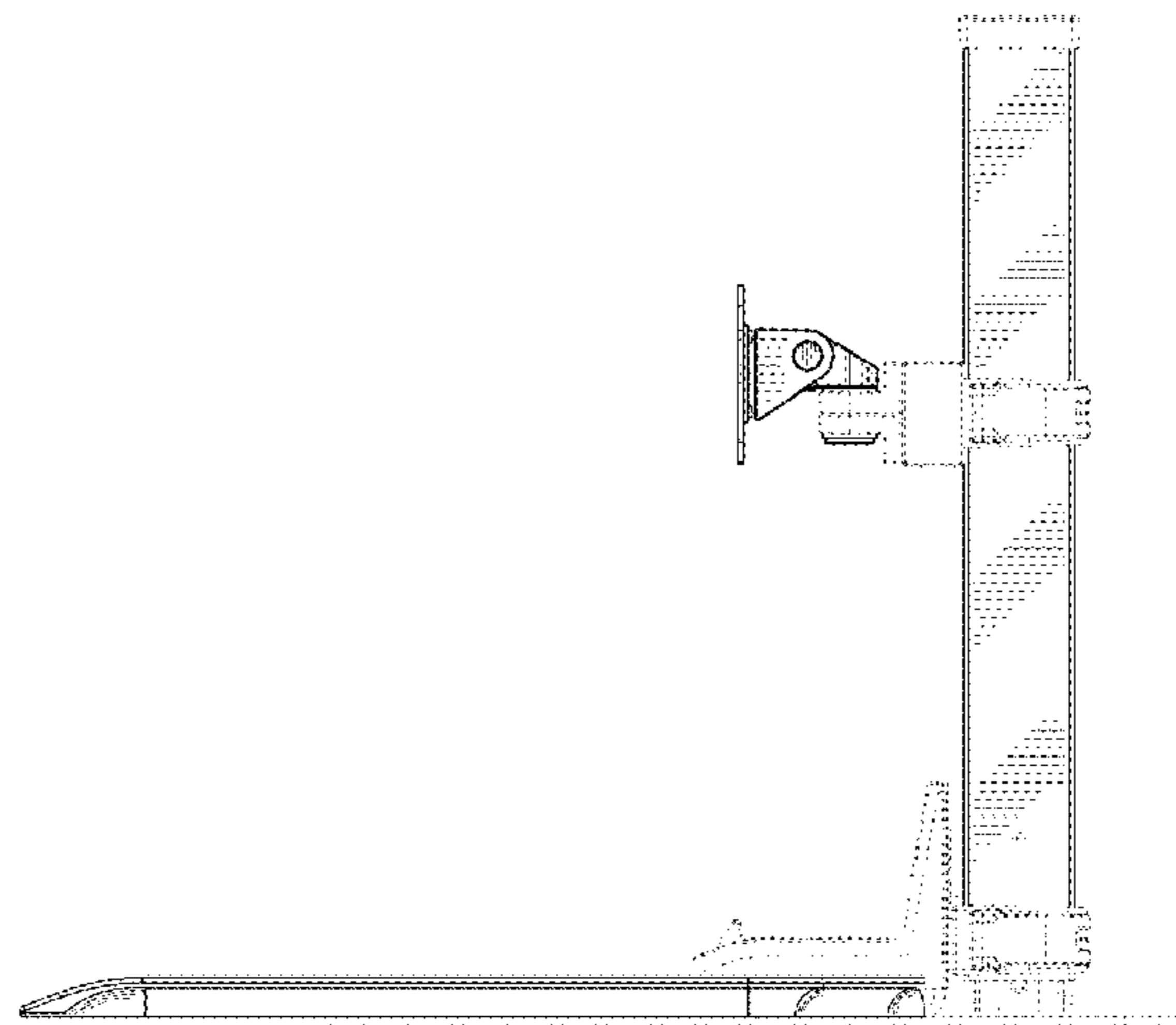
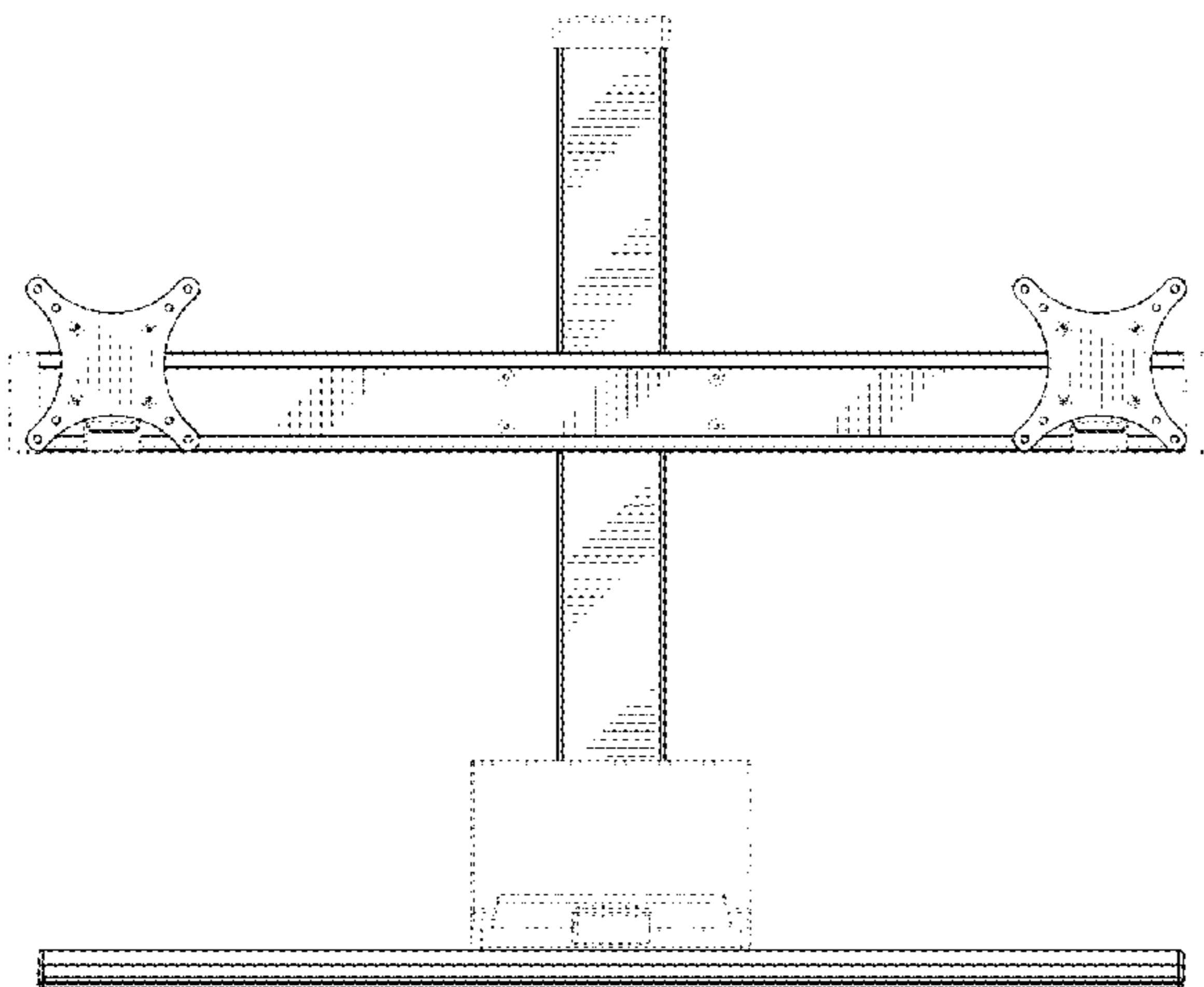
(57) **CLAIM**

The ornamental design for a support apparatus, as shown  
and described.

**DESCRIPTION**

FIG. 1 is a perspective view of a support apparatus showing  
our new design;  
FIG. 2 is a front view thereof;  
FIG. 3 is a rear view thereof;  
FIG. 4 is a left side view thereof;  
FIG. 5 is a right side view thereof; and,  
FIG. 6 is a top view thereof.  
The broken lines shown illustrate portions of the support  
apparatus that form no part of the claimed design.

**1 Claim, 6 Drawing Sheets**



(56)

**References Cited**

## U.S. PATENT DOCUMENTS

2011/0079685 A1\* 4/2011 Kwak ..... A47B 81/061  
248/65  
2011/0278414 A1 11/2011 Theis et al.  
2013/0126682 A1 5/2013 Tholkes et al.  
2014/0332653 A1 11/2014 Hazzard et al.  
2015/0131217 A1 5/2015 Brandt  
2015/0159804 A1\* 6/2015 Bowman ..... F16M 11/045  
248/122.1  
2017/0202351 A1\* 7/2017 Bowman ..... F16M 11/18

## OTHER PUBLICATIONS

ERGODESKTOP website, published at least as early as Jun. 20, 2013, retrieved from Internet Archive Wayback Machine, URL: <http://web.archive.org/web/20130620103818/http://www.ergodesktop.com/products>.

Ergotron website, published at least as early as Feb. 1, 2013, retrieved from Internet Archive Wayback Machine, URL: <https://web.archive.org/web/20130201215650/http://www.ergotron.com/Portals/0/tp/R1/WF/888-33-307-W.pdf>.

Ergotron website, published at least as early as Mar. 9, 2013, retrieved from Internet Archive Wayback Machine, URL: <https://web.archive.org/web/20130309061346/http://www.ergotron.com/Portals/0/literature/productSheets/english/05-118-EA.pdf>.

Ergotron website, published at least as early as Jul. 17, 2013, retrieved from Internet Archive Wayback Machine, URL: <https://web.archive.org/web/20130717184943/http://www.ergotron.com/Portals/0/literature/productSheets/english/05-065.pdf>.

\* cited by examiner

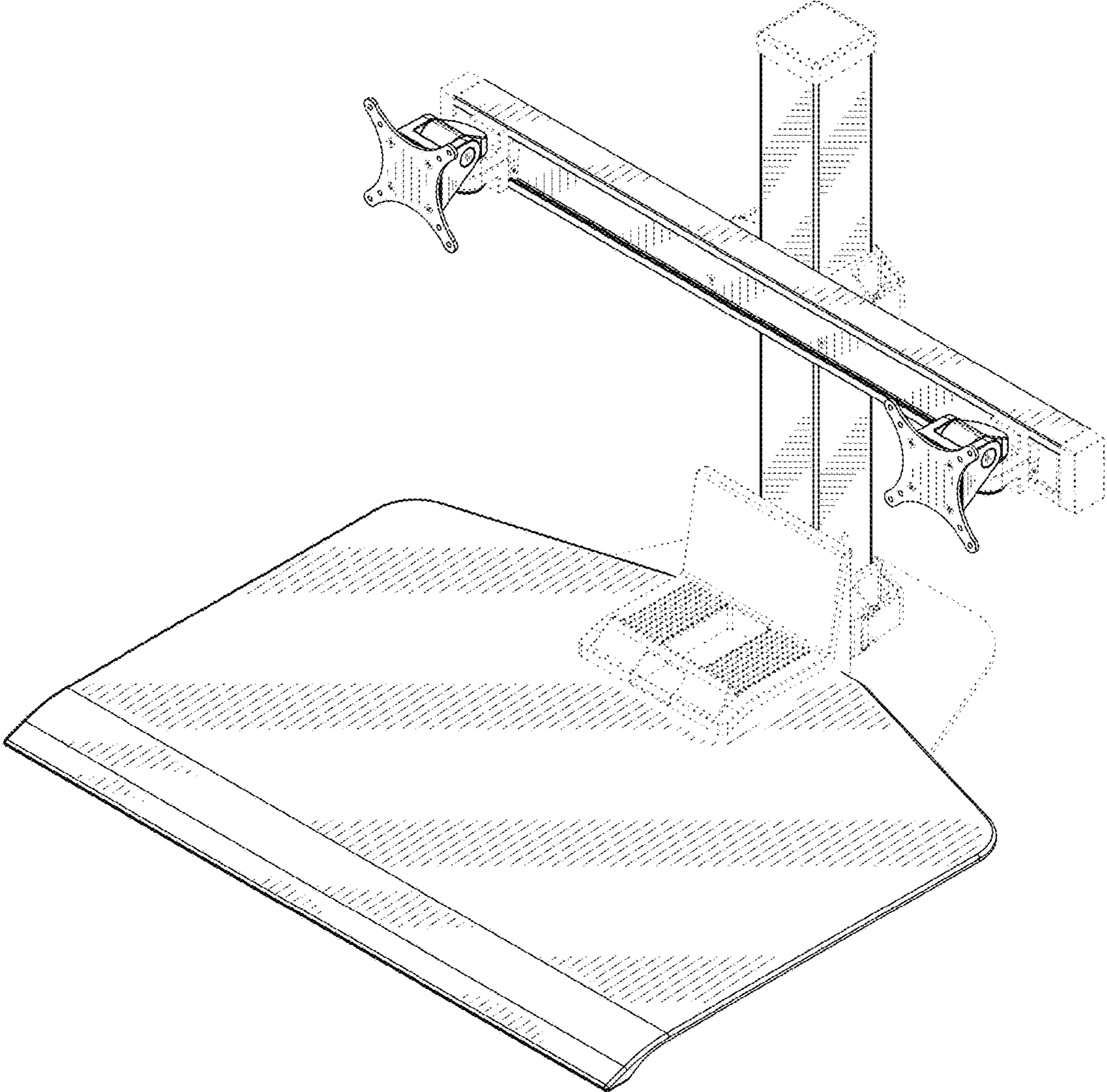


FIG. 1

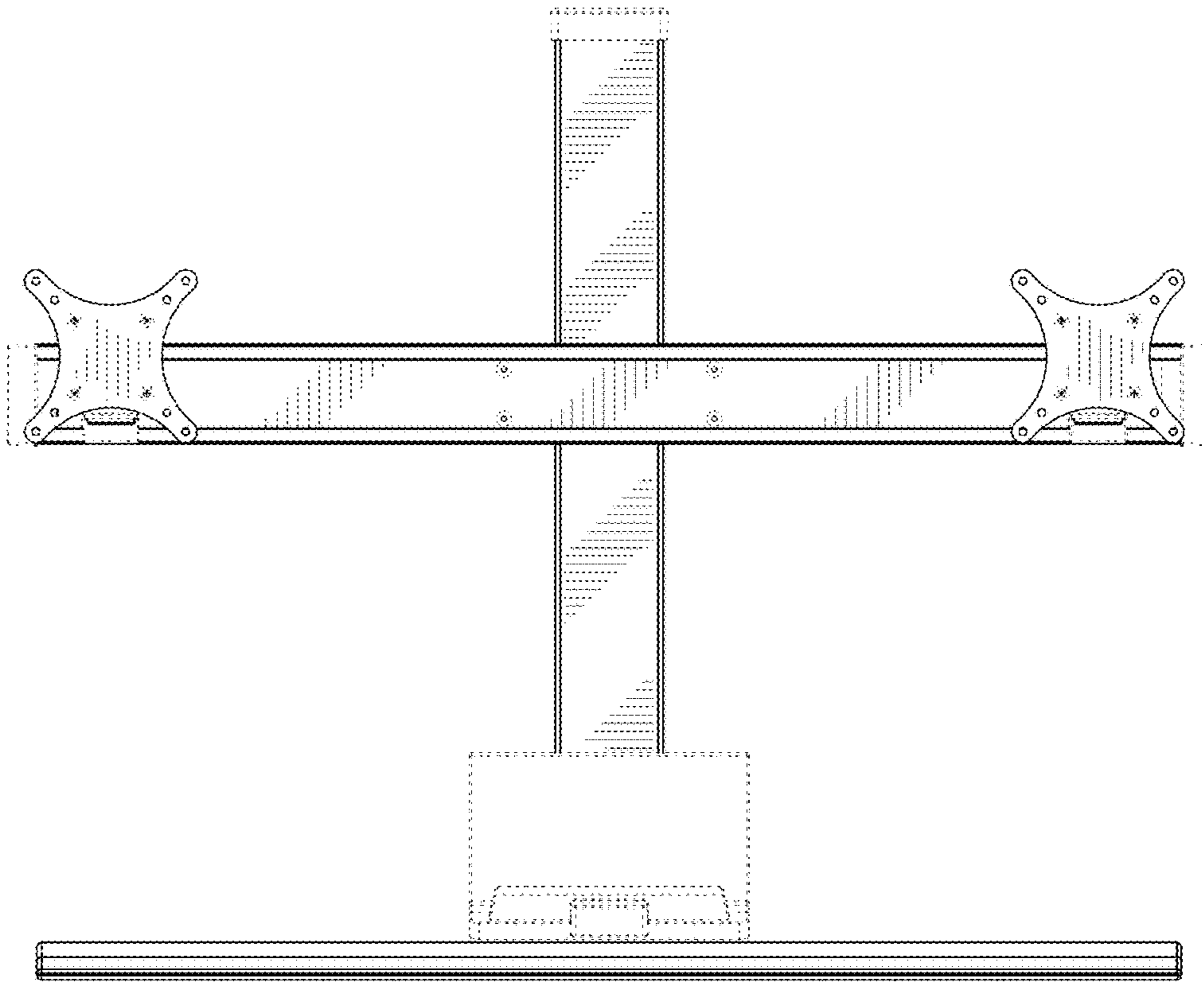


FIG. 2

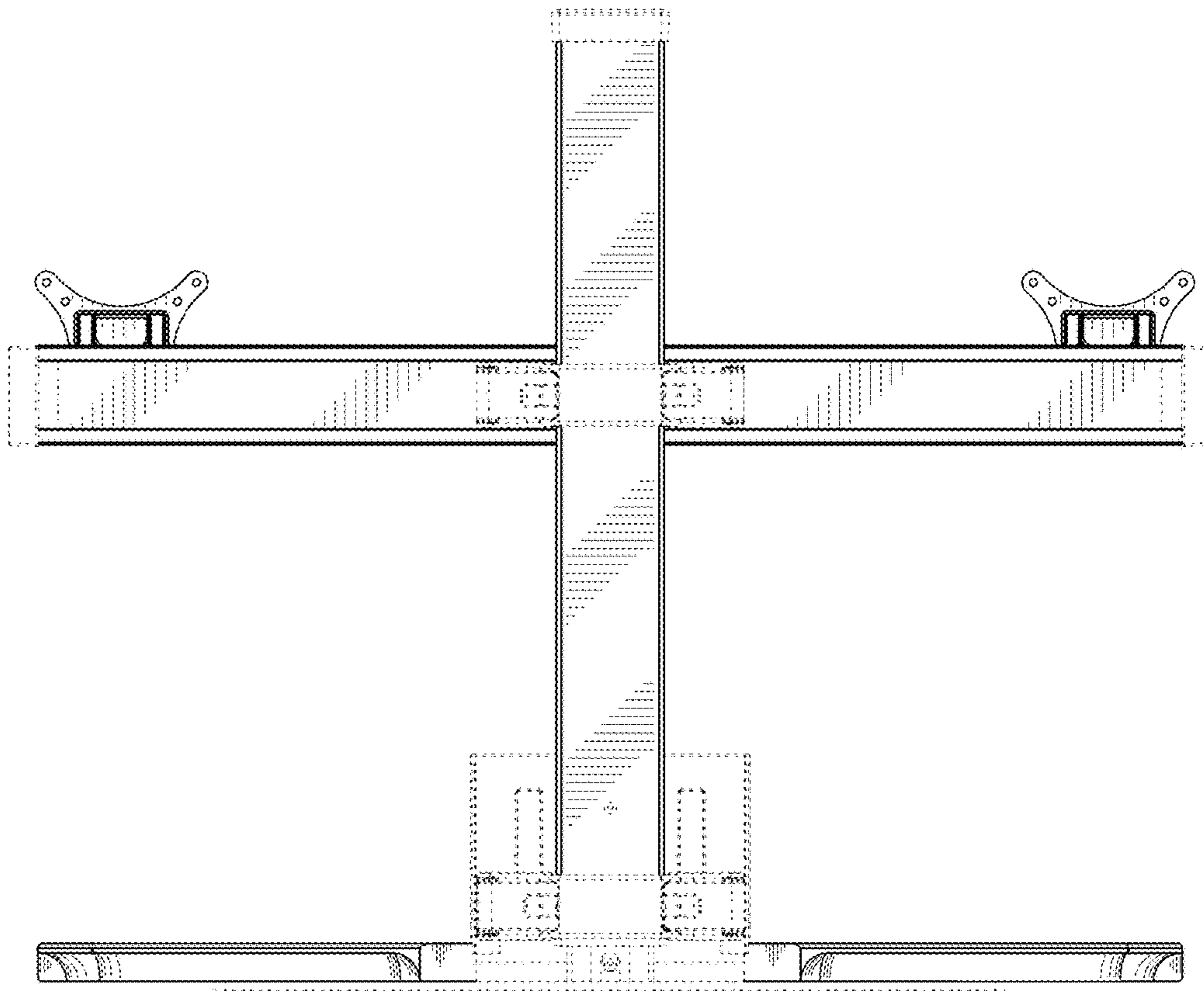


FIG. 3

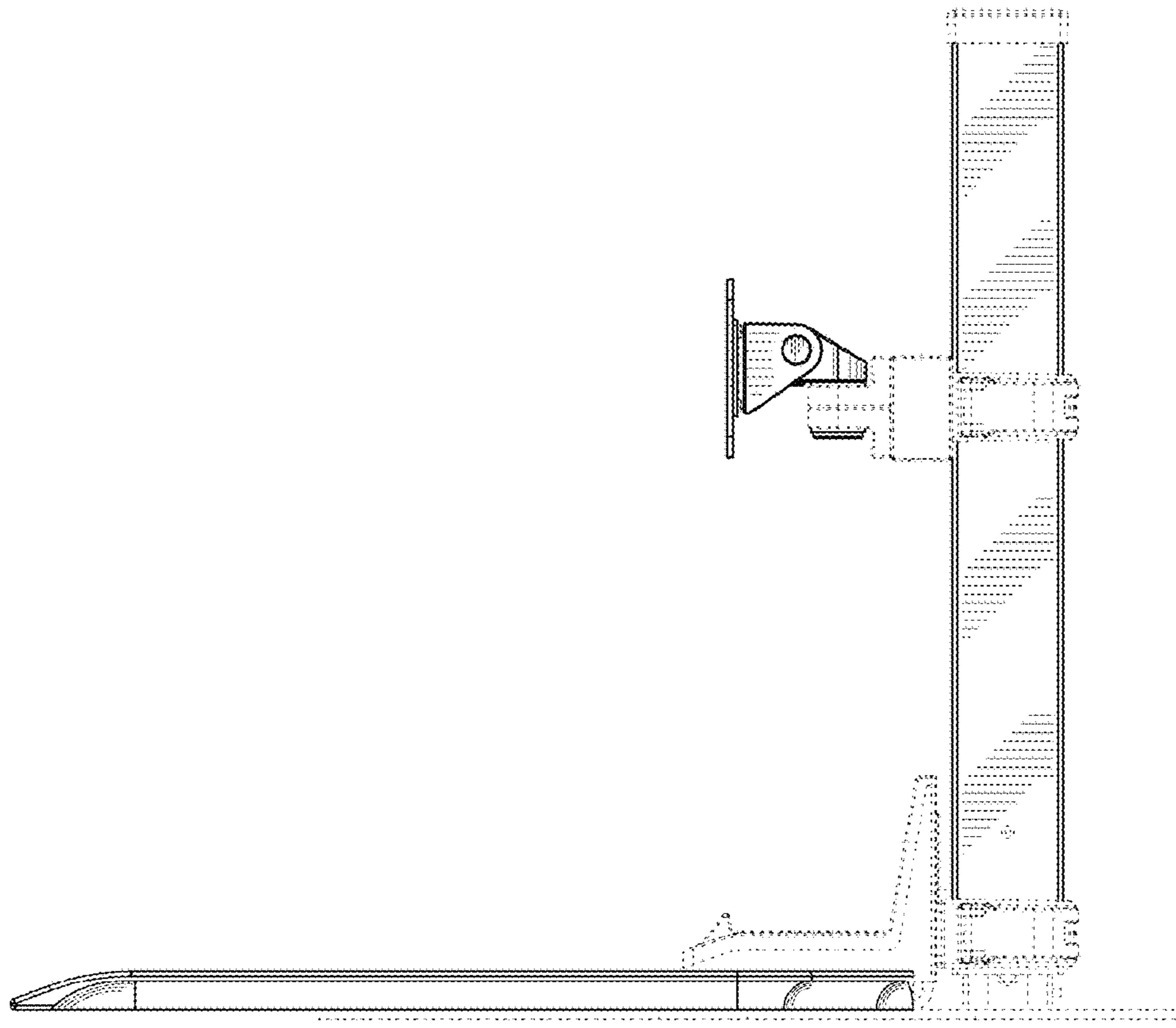


FIG. 4

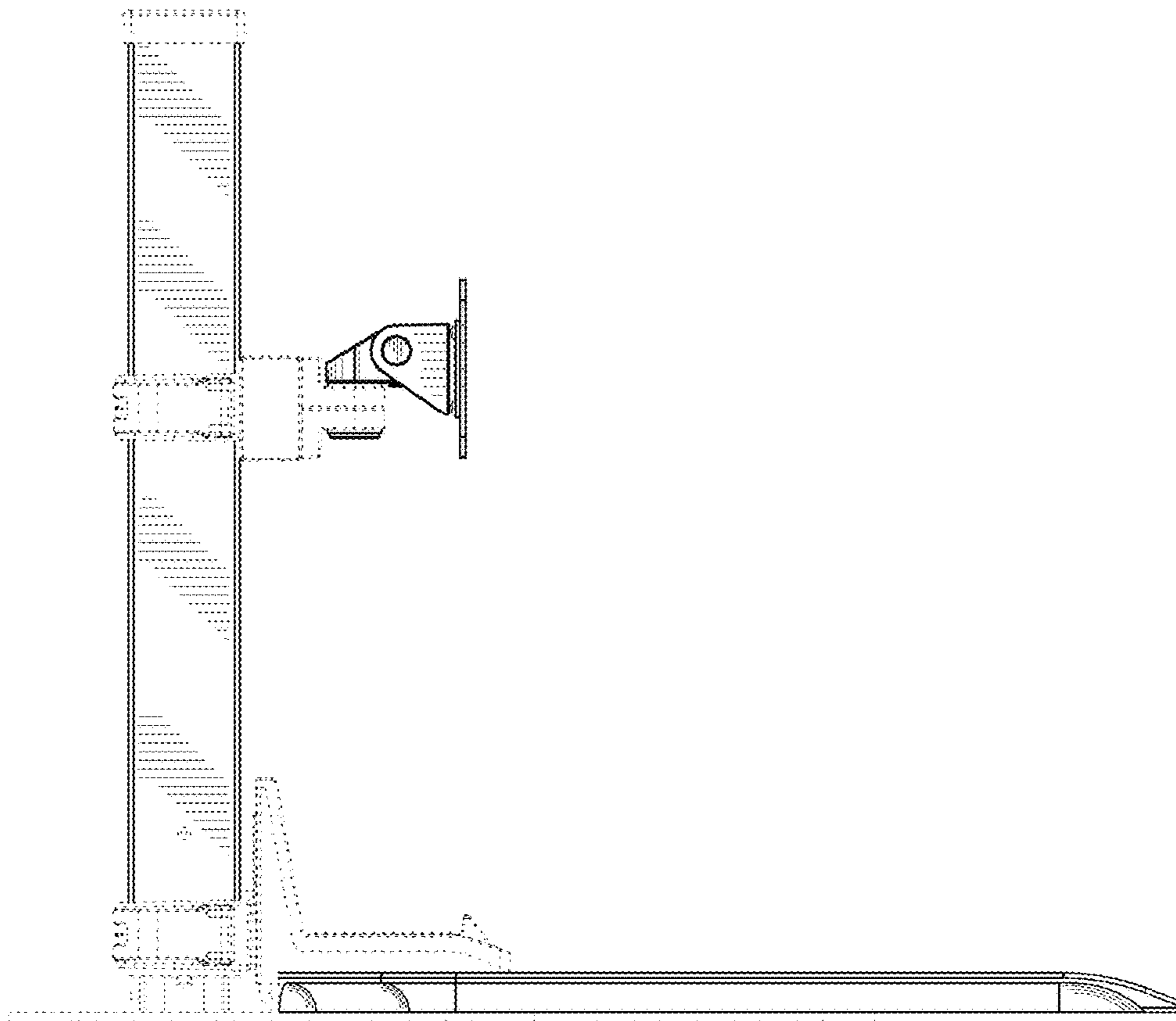


FIG. 5

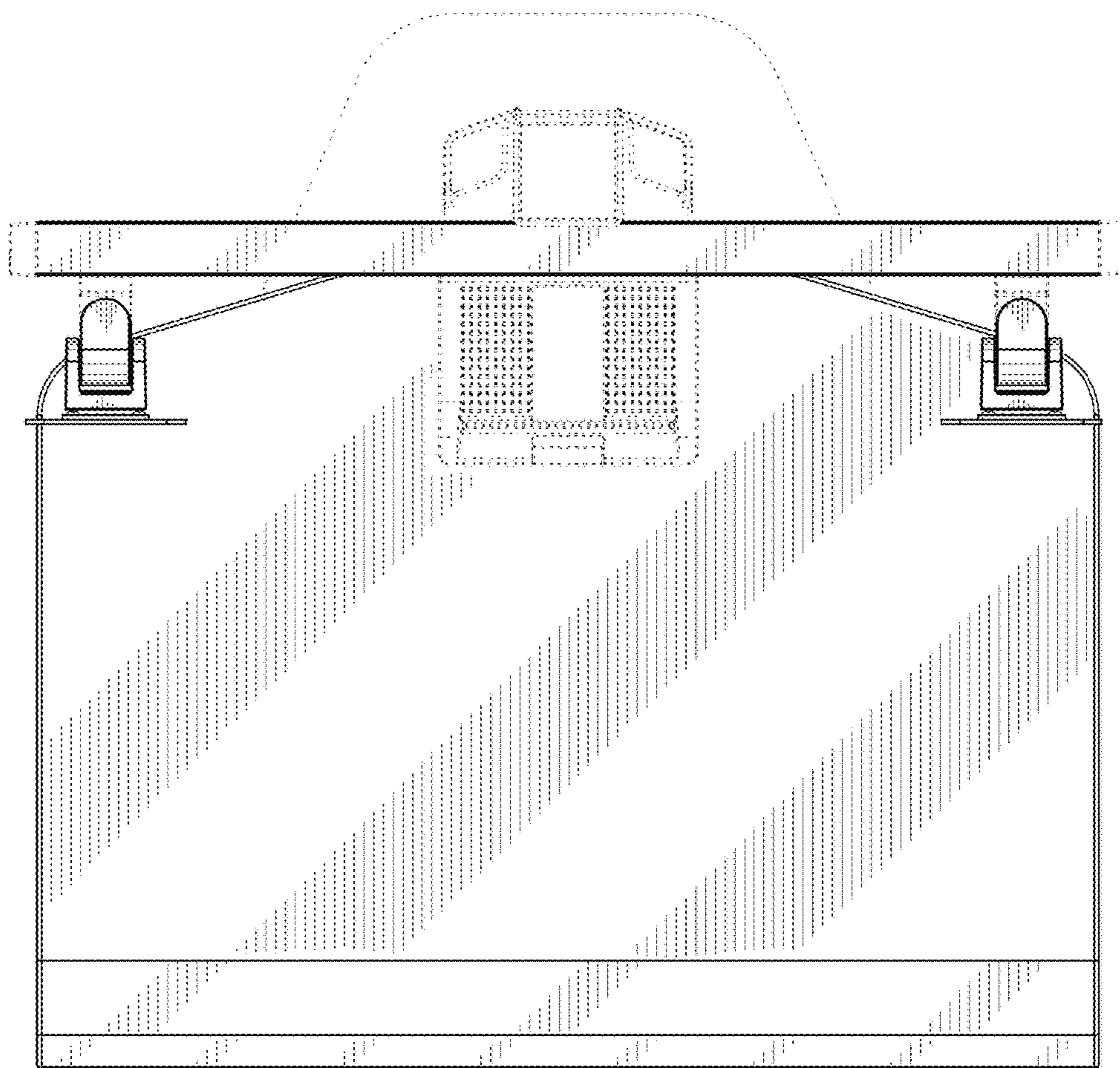


FIG. 6