



US00D853403S

(12) **United States Design Patent** (10) **Patent No.:** **US D853,403 S**  
**Lyu** (45) **Date of Patent:** **\*\* Jul. 9, 2019**

(54) **SUPPORT FOR TELEVISION APPARATUS**

(56) **References Cited**

(71) Applicant: **Yaqi Lyu**, Shenzhen (CN)

U.S. PATENT DOCUMENTS

(72) Inventor: **Yaqi Lyu**, Shenzhen (CN)

D493,800	S	*	8/2004	Pfister	.....	D14/451
7,195,214	B2	*	3/2007	Lee	.....	F16M 11/08 248/125.8
7,369,401	B1	*	5/2008	Floersch	.....	F16M 11/08 292/301
D603,412	S	*	11/2009	Wills	.....	D14/451
D635,130	S	*	3/2011	Skull	.....	D14/239
D649,552	S	*	11/2011	Huang	.....	F16M 11/08 D14/452
D715,276	S	*	10/2014	Davis	.....	D14/239
D784,999	S	*	4/2017	Cutler	.....	D14/447
D805,523	S	*	12/2017	Bowman	.....	D14/452
9,958,108	B2	*	5/2018	Bowman	.....	F16M 11/18
D836,091	S		12/2018	Shu		
2007/0205340	A1	*	9/2007	Jung	.....	F16M 11/24 248/125.9

(\*\*) Term: **15 Years**

(21) Appl. No.: **29/678,780**

(22) Filed: **Jan. 31, 2019**

(51) **LOC (11) Cl.** ..... **14-02**

(52) **U.S. Cl.**

USPC ..... **D14/451**

(58) **Field of Classification Search**

USPC ..... D14/371–382, 125–129, 336, 337,  
D14/447–452, 492, 335, 376–382, 239,  
D14/448, 457, 439–441, 432, 251–253;  
D8/349, 354, 363, 373, 376, 380;  
D21/333; D12/415; D3/218; 348/180,  
348/184, 325, 739, 825

CPC ..... G06F 3/0412; G06F 3/016; G06F 3/0488;  
G06F 3/011; G06F 3/038; G06F 3/03543;  
G06F 3/0338; G06F 3/0202; G06F  
3/0219; G06F 3/0213; G06F 1/1616;  
G06F 3/023; G06F 3/04883; G02F  
1/13338; G02F 1/1313; G02F 1/1333;  
G02F 1/135; G02F 1/132; G02F  
1/133308; G02F 1/134309; G02F  
1/13718; G09G 3/3648; G06K 15/1252;  
B41J 2/465; G03F 7/70291; G02B  
27/0172; G02B 5/30; G02B 2027/0118;  
G02B 27/0101; F16M 13/02; F16M  
13/00; F16M 11/10; F16M 11/04; F16M  
2200/08; F16M 11/2021; A47B 21/0314;  
A47B 88/044; A47B 2021/0335; H02G  
3/126; F16B 47/00; F16B 47/006; A47G  
1/17; A47K 2201/00

See application file for complete search history.

(Continued)

FOREIGN PATENT DOCUMENTS

EM 002711192-0002 6/2015

*Primary Examiner* — Katie Jane Stofko

(74) *Attorney, Agent, or Firm* — JCIP Global Inc.

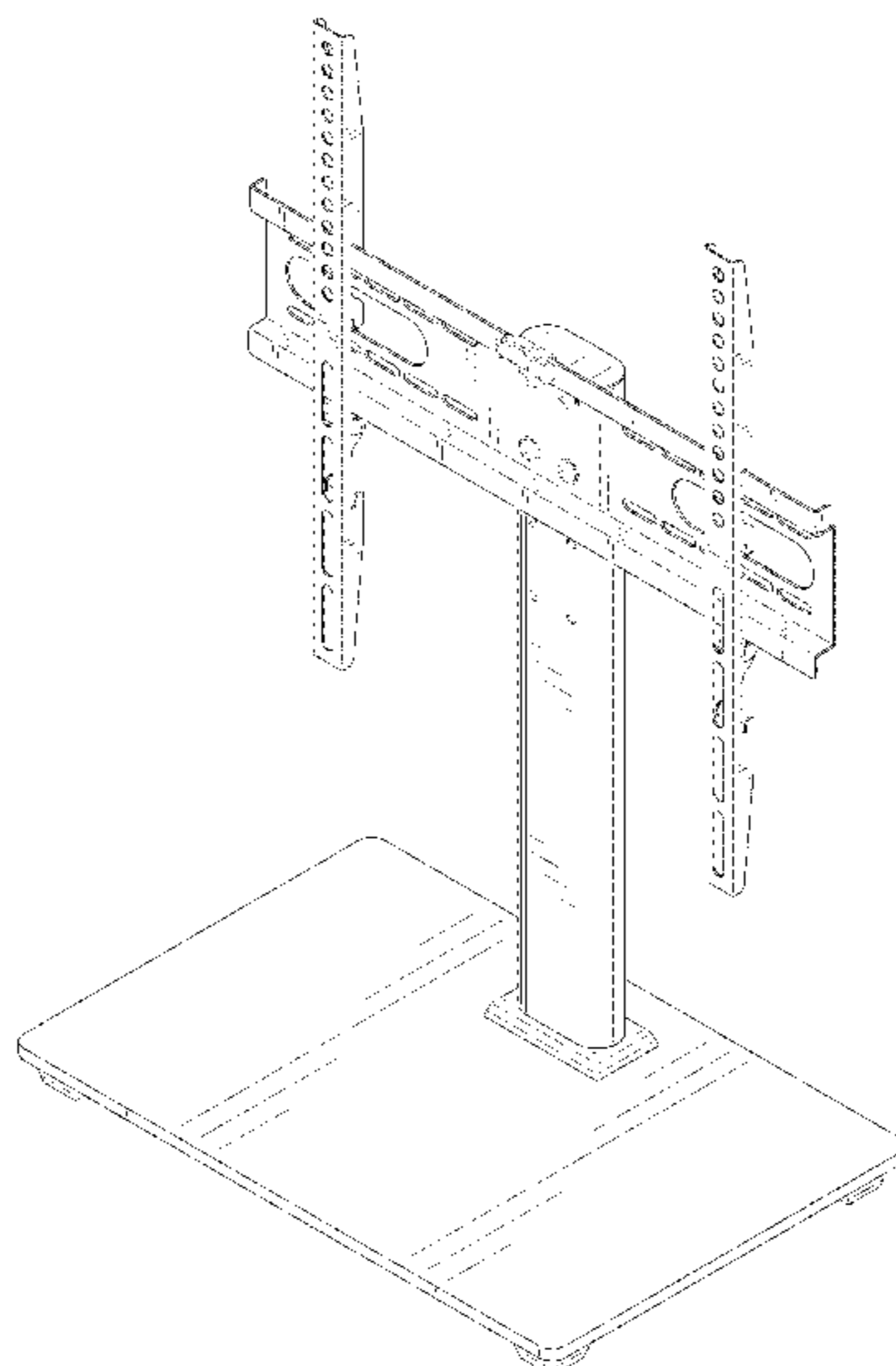
(57) **CLAIM**

The ornamental design for a support for television apparatus, as shown and described.

**DESCRIPTION**

FIG. 1 is a perspective view of a support for television apparatus showing my new design;  
FIG. 2 is another perspective view thereof;  
FIG. 3 is a front view thereof;  
FIG. 4 is a rear view thereof;  
FIG. 5 is a left side view thereof;  
FIG. 6 is a right side view thereof;  
FIG. 7 is a top view thereof; and,  
FIG. 8 is a bottom view thereof.  
The dashed broken lines illustrate portions of the support for television apparatus and form no part of the claimed design.

**1 Claim, 8 Drawing Sheets**



(56)

**References Cited**

U.S. PATENT DOCUMENTS

2008/0117578 A1\* 5/2008 Moscovitch ..... F16M 11/105  
361/679.04  
2009/0134285 A1\* 5/2009 Huang ..... F16M 11/08  
248/124.1

\* cited by examiner

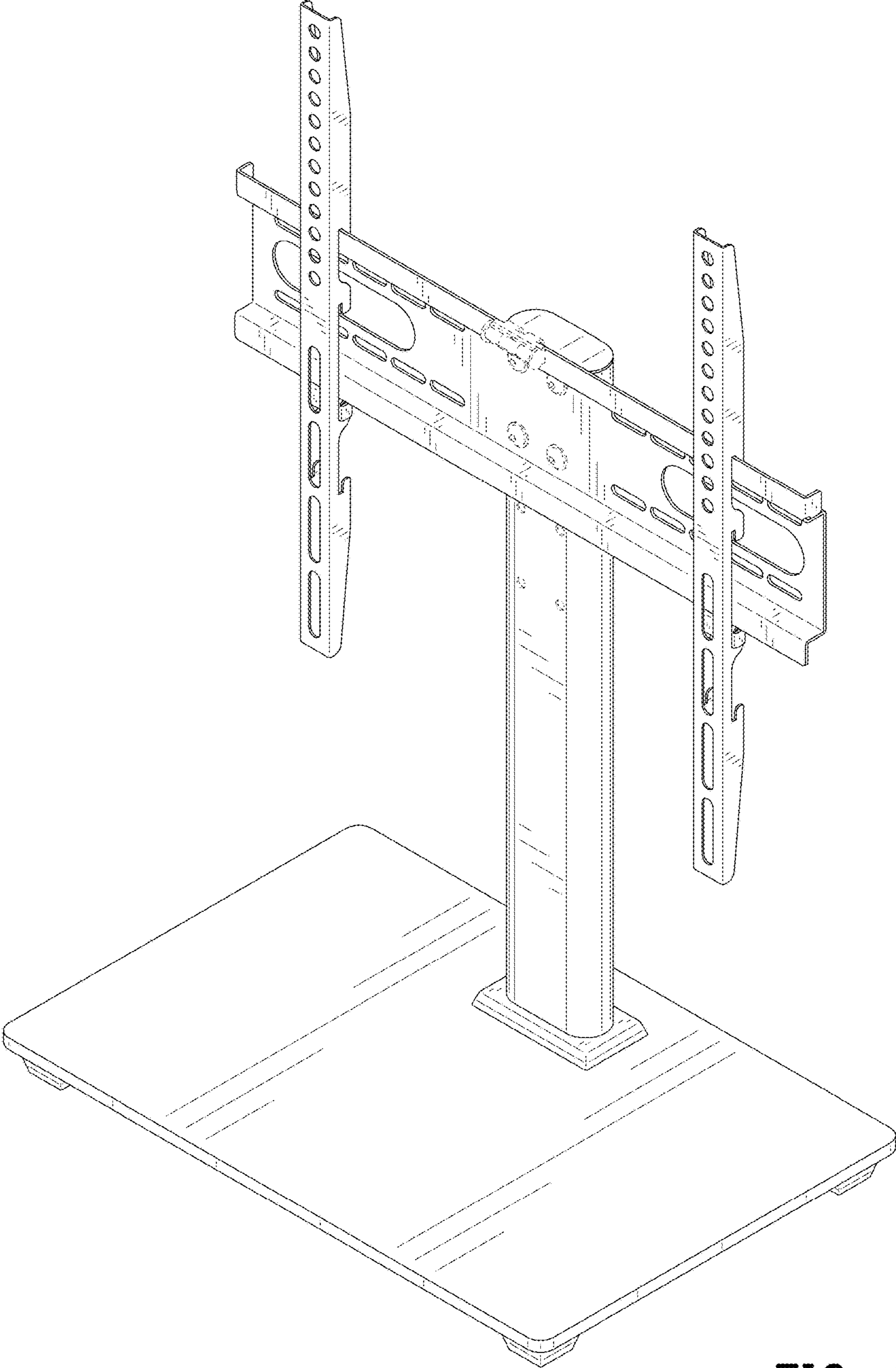


FIG. 1

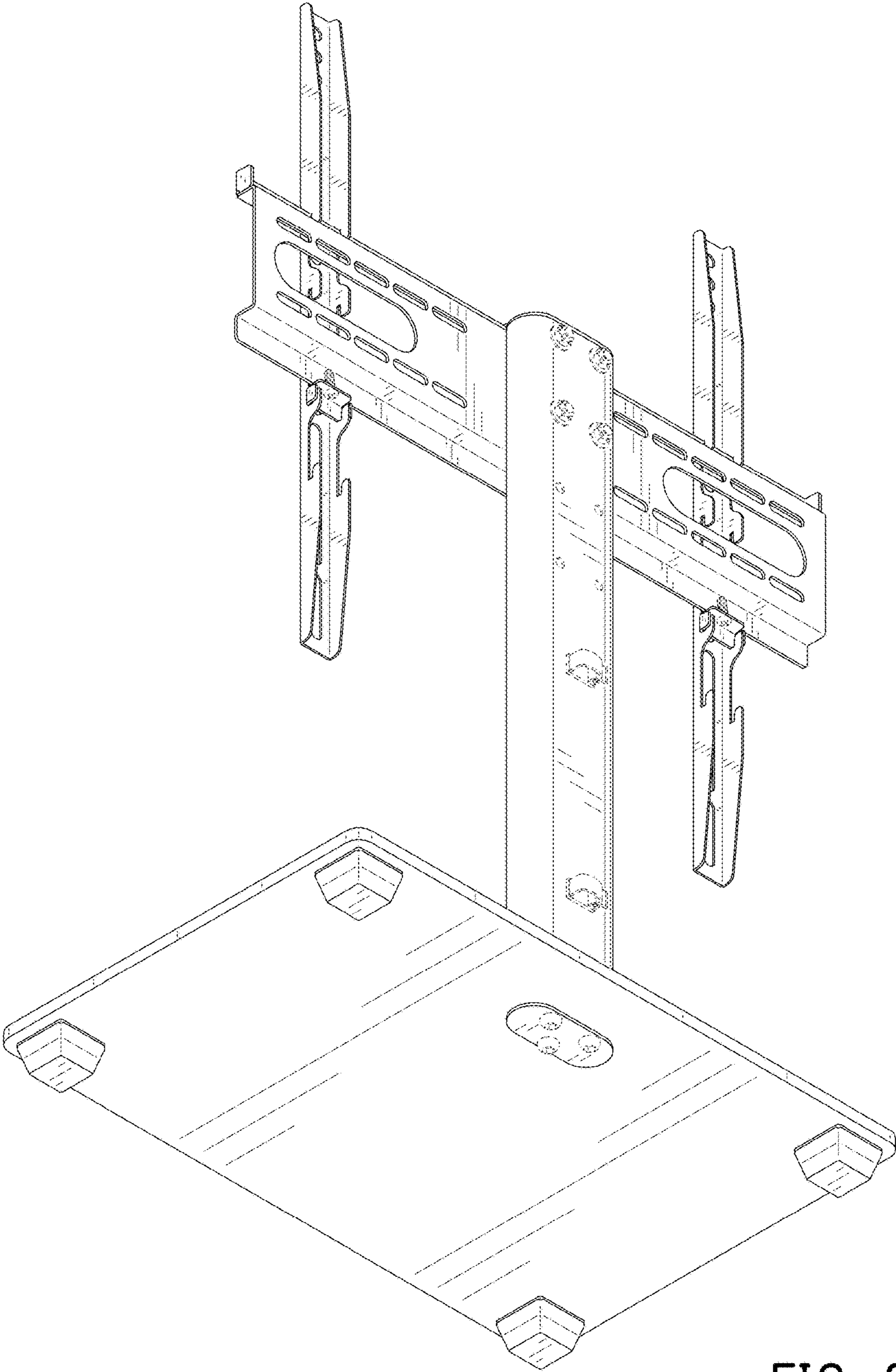


FIG. 2



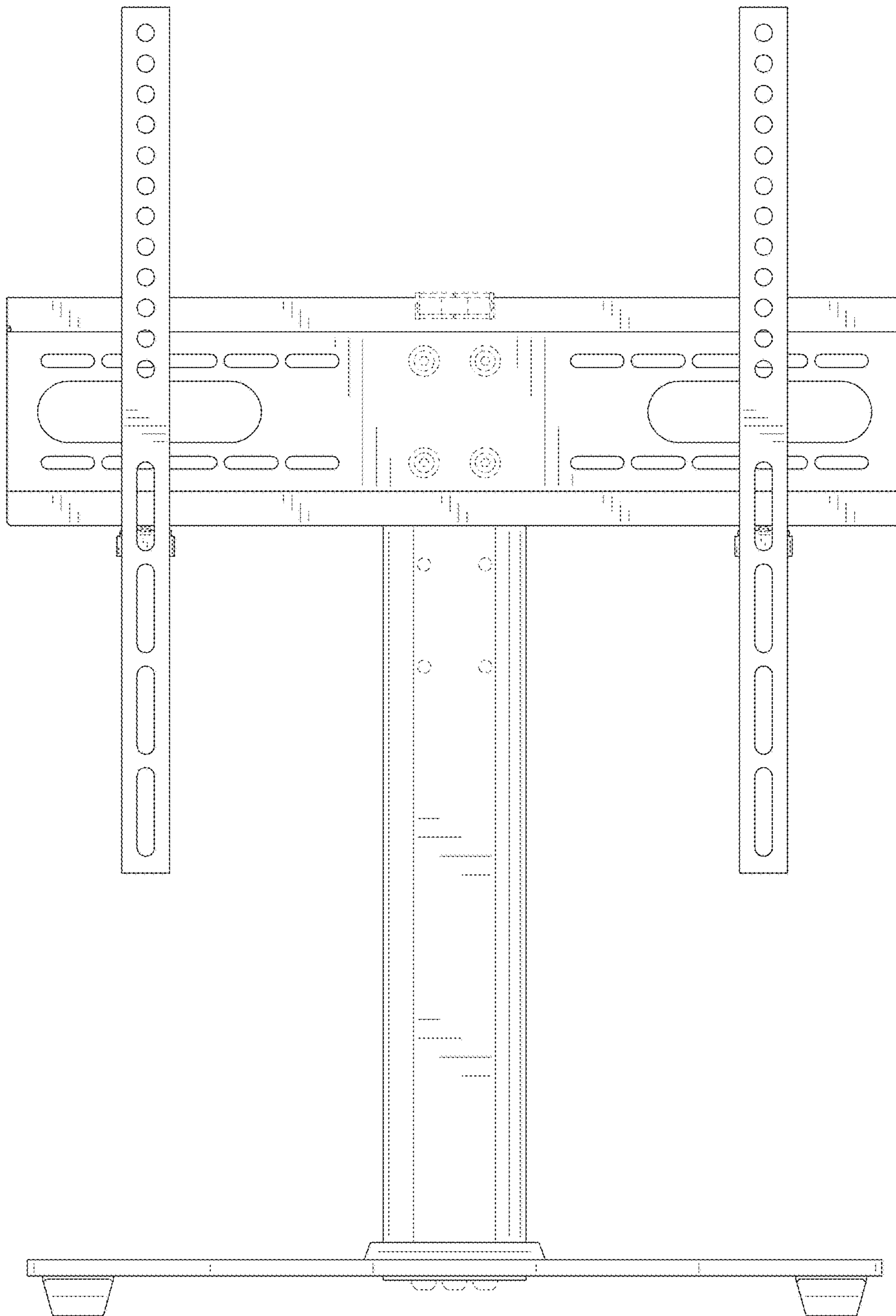


FIG. 3

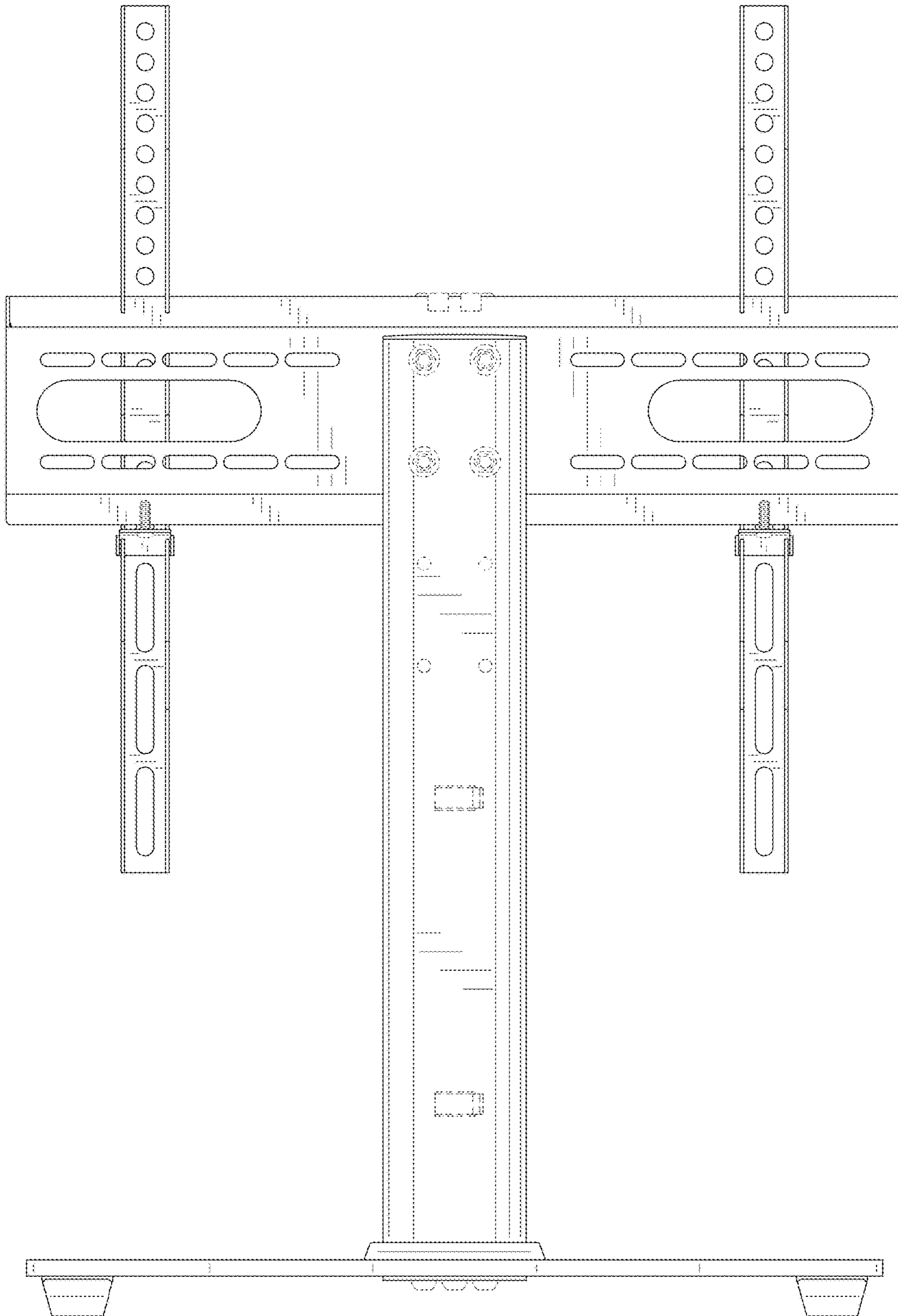


FIG. 4

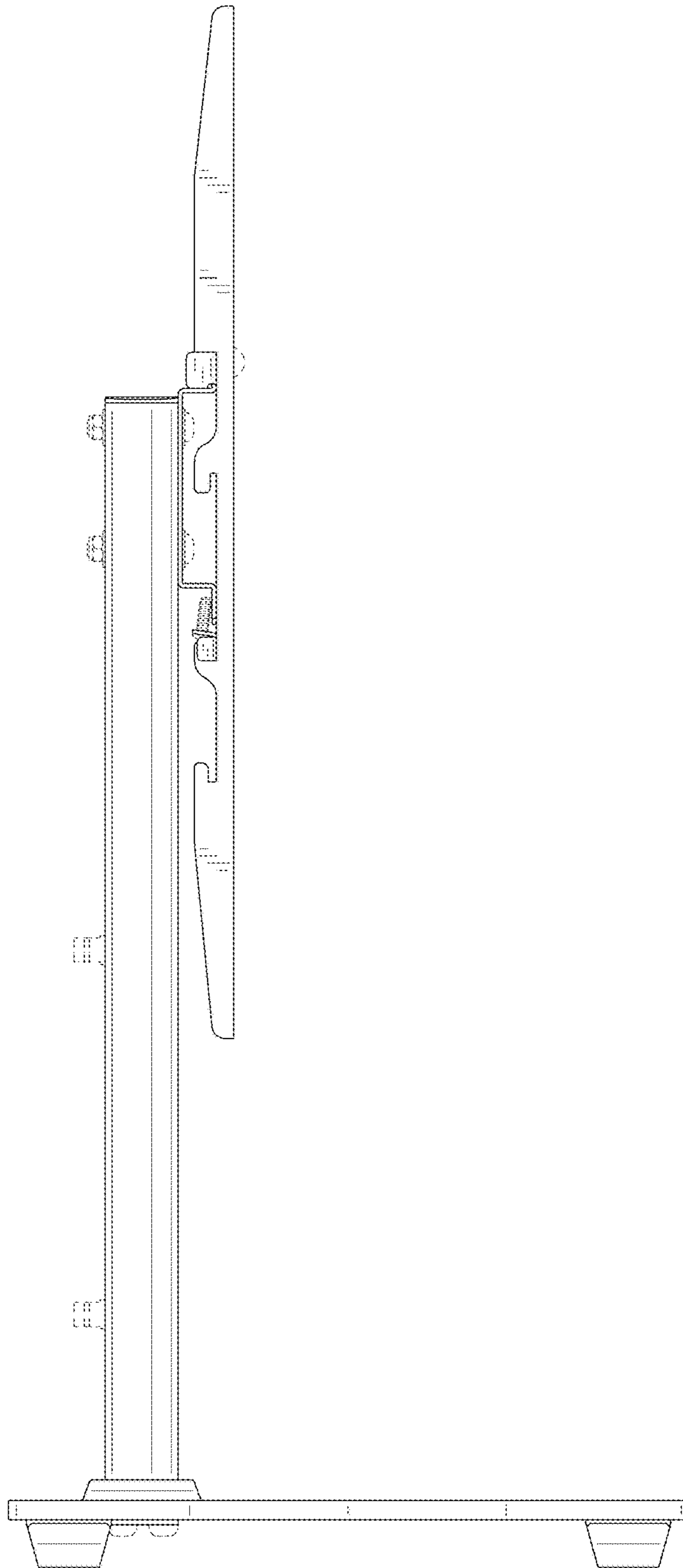


FIG. 5

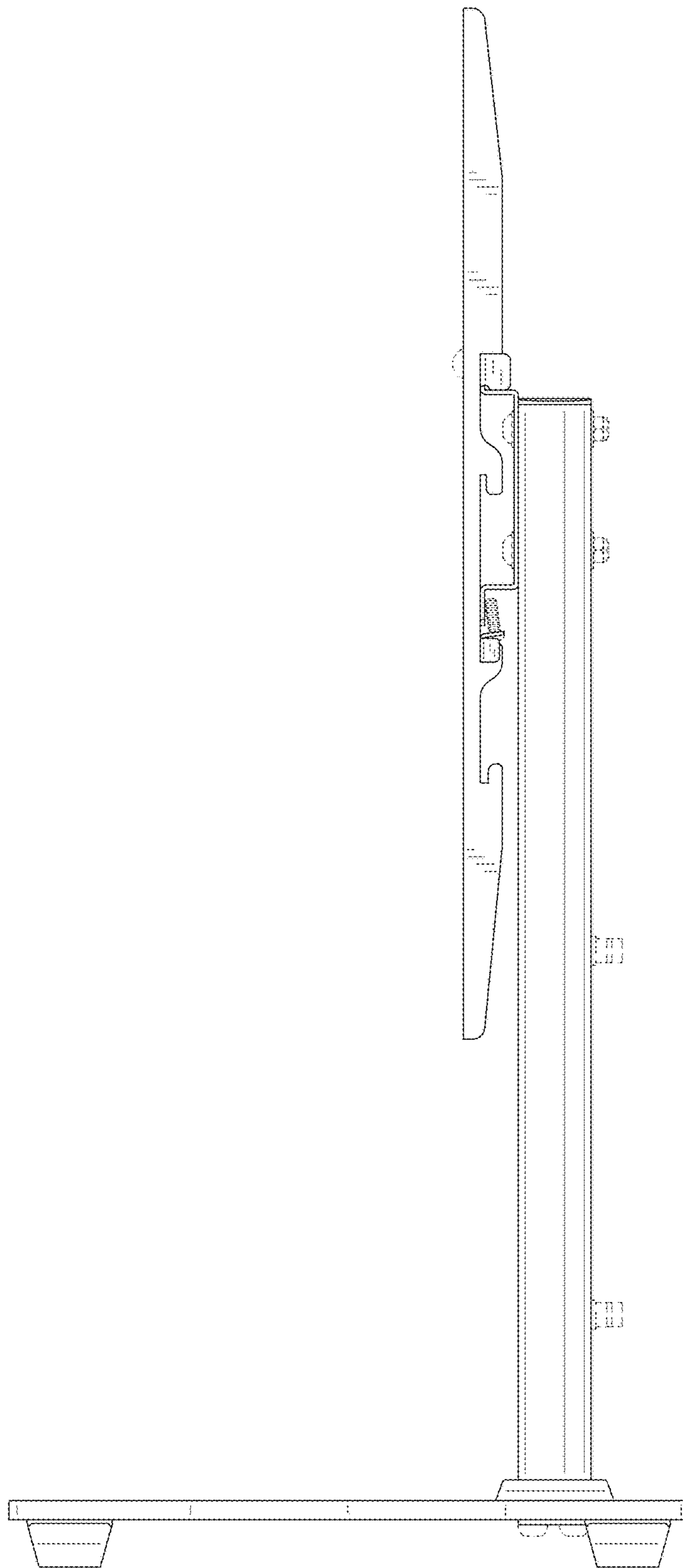


FIG. 6



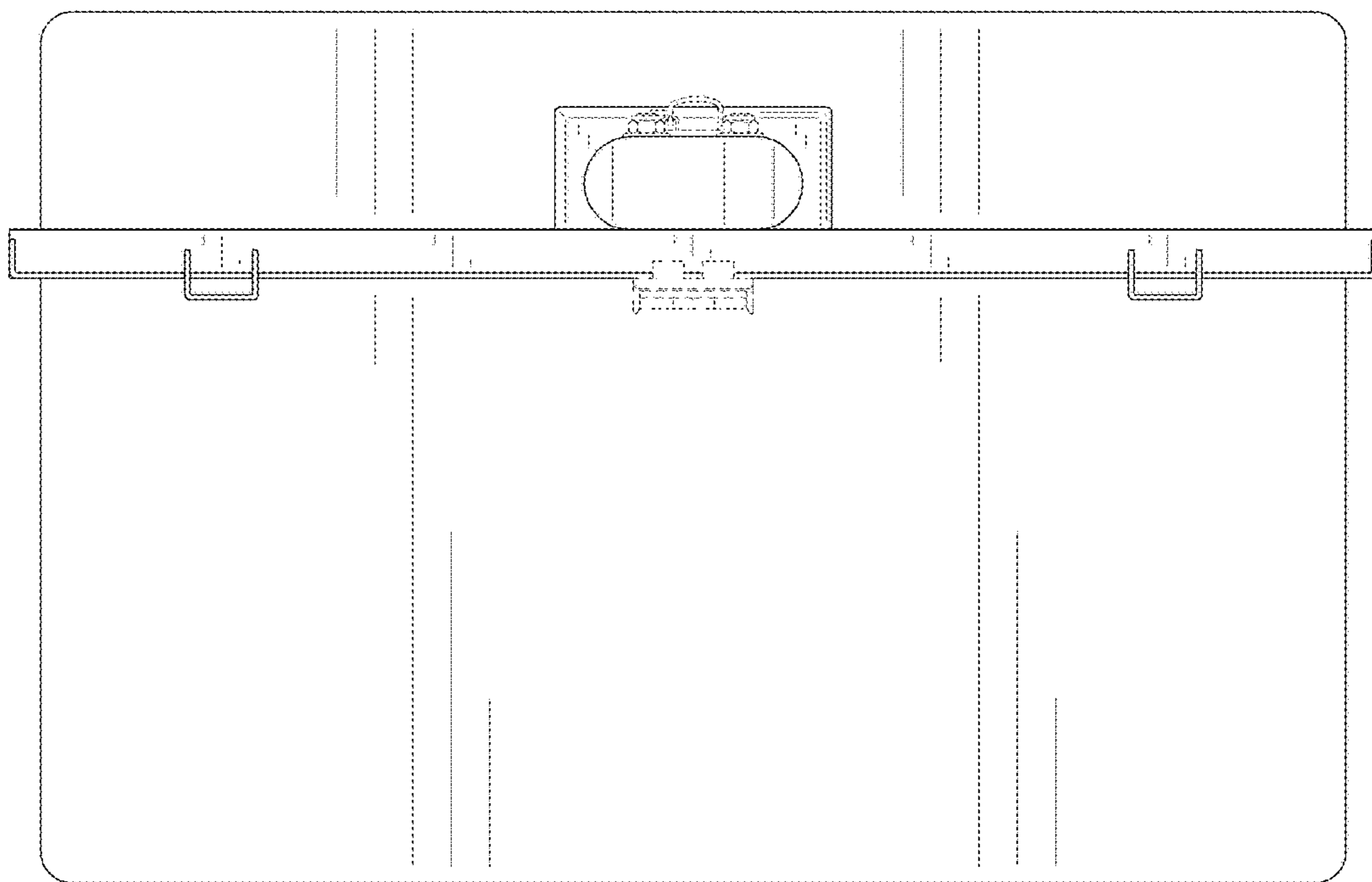


FIG. 7

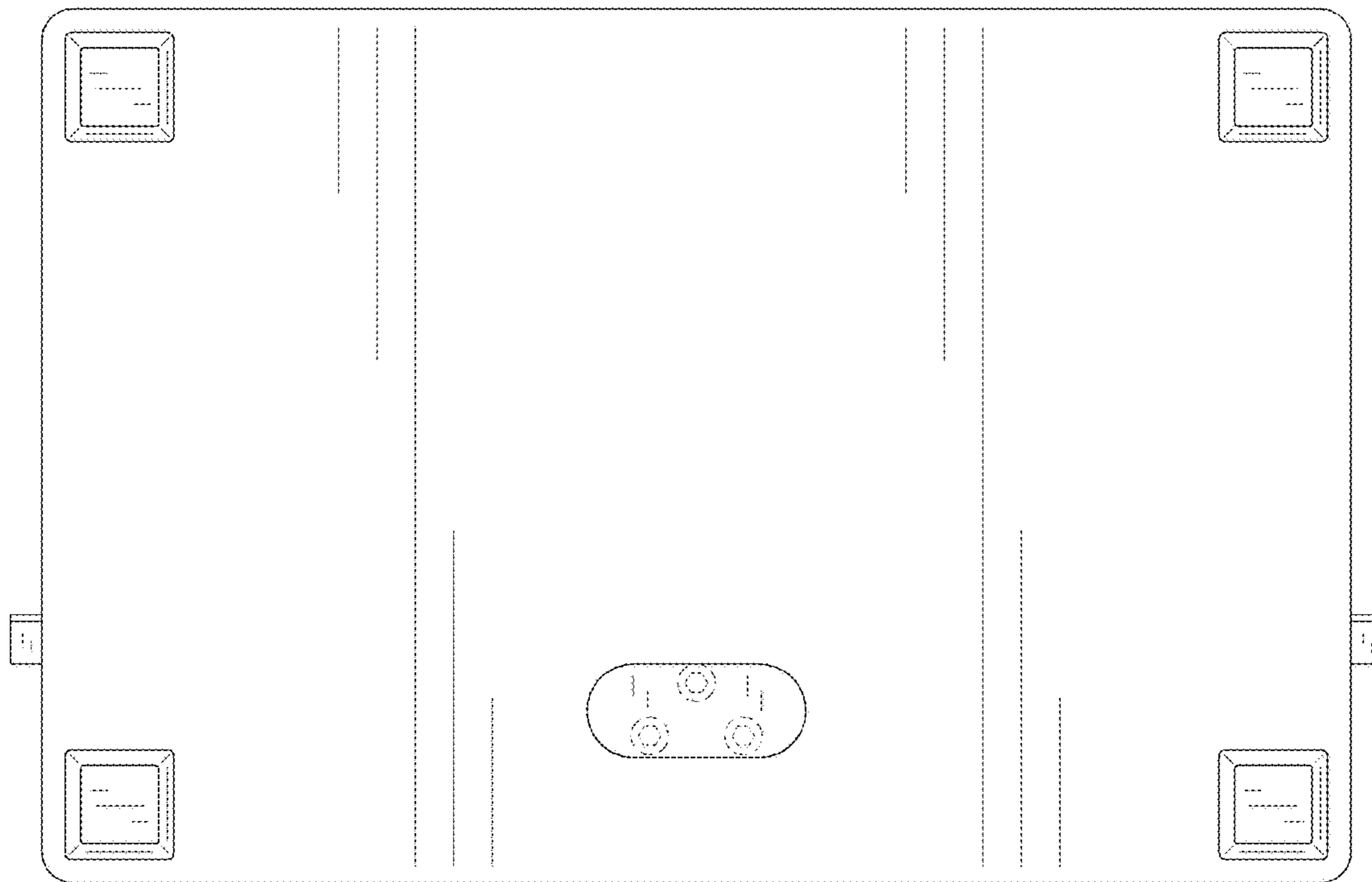


FIG. 8