



US00D853401S

(12) **United States Design Patent** (10) **Patent No.:** **US D853,401 S**
Moore et al. (45) **Date of Patent:** **** Jul. 9, 2019**

- (54) **DEVICE COVER**
- (71) Applicant: **Amazon Technologies, Inc.**, Seattle, WA (US)
- (72) Inventors: **Jesse Wheeler Moore**, Oakland, CA (US); **Monica Liane Mecchella**, San Francisco, CA (US)
- (73) Assignee: **Amazon Technologies, Inc.**, Seattle, WA (US)
- (**) Term: **15 Years**
- (21) Appl. No.: **29/635,353**
- (22) Filed: **Jan. 30, 2018**
- (51) **LOC (11) Cl.** **14-02**
- (52) **U.S. Cl.**
USPC **D14/440**
- (58) **Field of Classification Search**
USPC D14/440; 206/45.23, 320, 45.2; 361/679.55; 294/25; 224/218
CPC ... G06F 1/1628; G06F 1/1626; A47B 23/044; H04B 1/3888; H05K 5/0217
See application file for complete search history.

- D743,890 S * 11/2015 Mecchella D14/440
- D748,097 S * 1/2016 Feng D14/440
- D748,636 S * 2/2016 Zadvinskis D14/440
- D753,123 S * 4/2016 Probst D14/440
- 9,307,131 B1 * 4/2016 Breen H04N 5/2257
- D761,798 S * 7/2016 Lee D14/440
- D765,086 S * 8/2016 Lee D14/440
- D765,663 S * 9/2016 Shih D14/440
- D768,638 S * 10/2016 Lee D14/440
- D774,036 S * 12/2016 Kuntz D14/440
- D781,278 S * 3/2017 Kim D14/250

(Continued)

Primary Examiner — Cynthia R Underwood
(74) *Attorney, Agent, or Firm* — Lee & Hayes, P.C.

(57) **CLAIM**

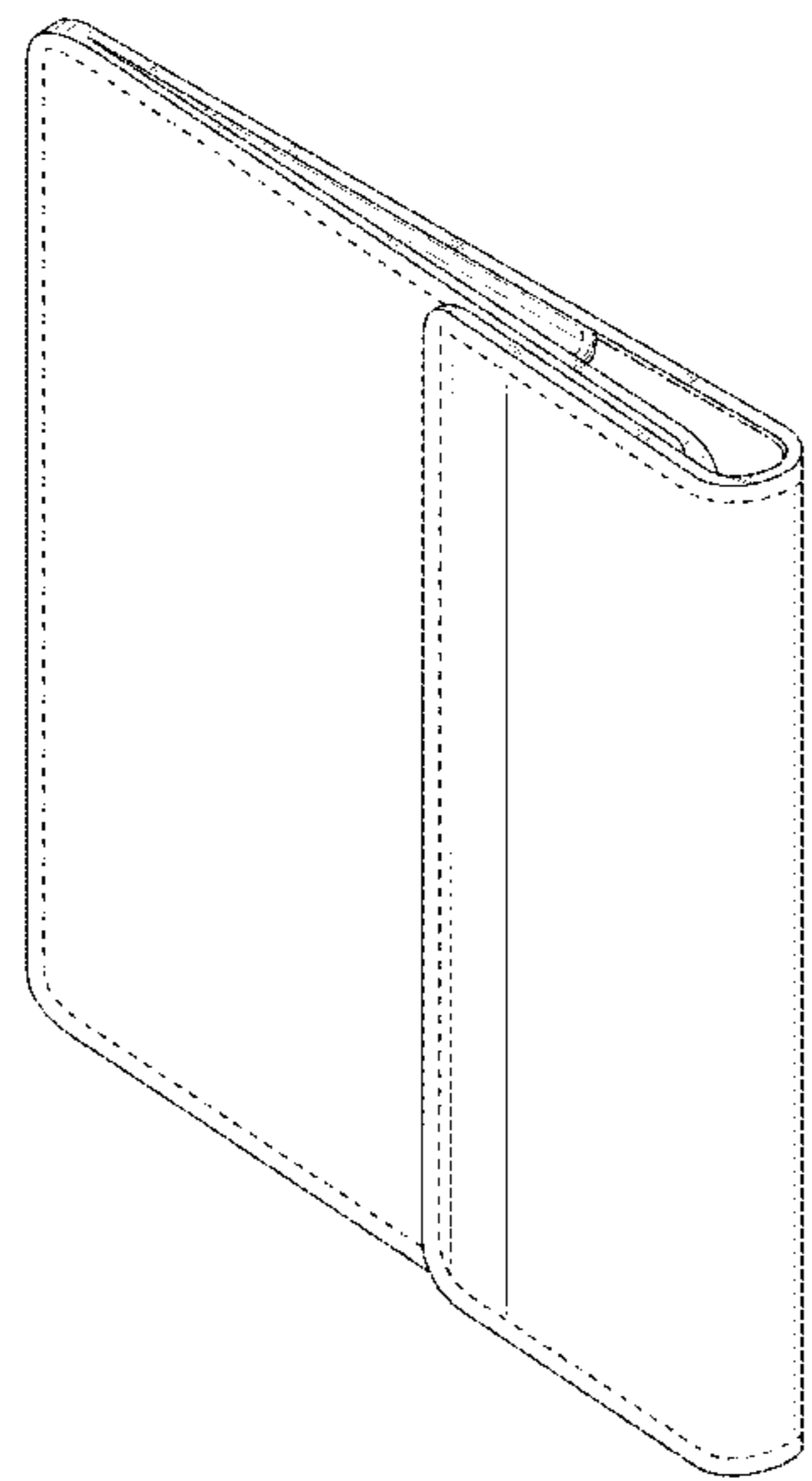
The ornamental design for a device cover, as shown and described.

DESCRIPTION

FIG. 1 is a front perspective view of a device cover in a closed state;
 FIG. 2 is a back perspective view thereof;
 FIG. 3 is a front view thereof;
 FIG. 4 is a back view thereof;
 FIG. 5 is a left-side view thereof;
 FIG. 6 is a right-side view thereof;
 FIG. 7 is a top view thereof;
 FIG. 8 is a bottom view thereof;
 FIG. 9 is a front perspective view of the device cover in an opened state thereof; and,
 FIG. 10 is a back perspective view of the device cover in the opened state.
 The short dash broken lines depict portions of the device cover that form no part of the claimed design. The long dash broken lines depict stitching on the surface of the device cover that forms no part of the claimed design. The dot-dash broken lines represent boundaries of the claimed device cover and form no part of the claimed design.

1 Claim, 10 Drawing Sheets

- (56) **References Cited**
U.S. PATENT DOCUMENTS
- D323,937 S * 2/1992 Solomon D3/299
- D467,429 S * 12/2002 Bone D3/294
- D657,354 S * 4/2012 Kim D14/250
- D676,448 S * 2/2013 Gorman D14/440
- D676,449 S * 2/2013 Probst D14/440
- 8,542,495 B1 * 9/2013 Gorman G06F 1/1626
361/679.02
- D707,229 S * 6/2014 Almodova D14/440
- D736,777 S * 8/2015 Rayner D14/440
- D742,888 S * 11/2015 Mecchella D14/440
- D742,889 S * 11/2015 Mecchella D14/440
- D742,890 S * 11/2015 Mecchella D14/440



(56)

References Cited

U.S. PATENT DOCUMENTS

D787,520	S *	5/2017	Wall	D14/440
D792,412	S *	7/2017	Zhang	D14/440
D792,887	S *	7/2017	Zhang	D14/440
D808,393	S *	1/2018	Moore	D14/440
D810,088	S *	2/2018	Moore	D14/440
D811,411	S *	2/2018	Moore	D14/440
D837,792	S *	1/2019	Kim	D14/440
D837,793	S *	1/2019	Ham	D14/440
2007/0097087	A1 *	5/2007	Homer	G06F 1/1626 345/173
2008/0194139	A1 *	8/2008	Chan	G06F 1/1613 439/521
2012/0043235	A1 *	2/2012	Klement	A45C 11/00 206/320
2013/0264459	A1 *	10/2013	McCosh	G06F 1/1626 248/688
2016/0011628	A1 *	1/2016	Sato	G06F 1/1656 361/679.3

* cited by examiner

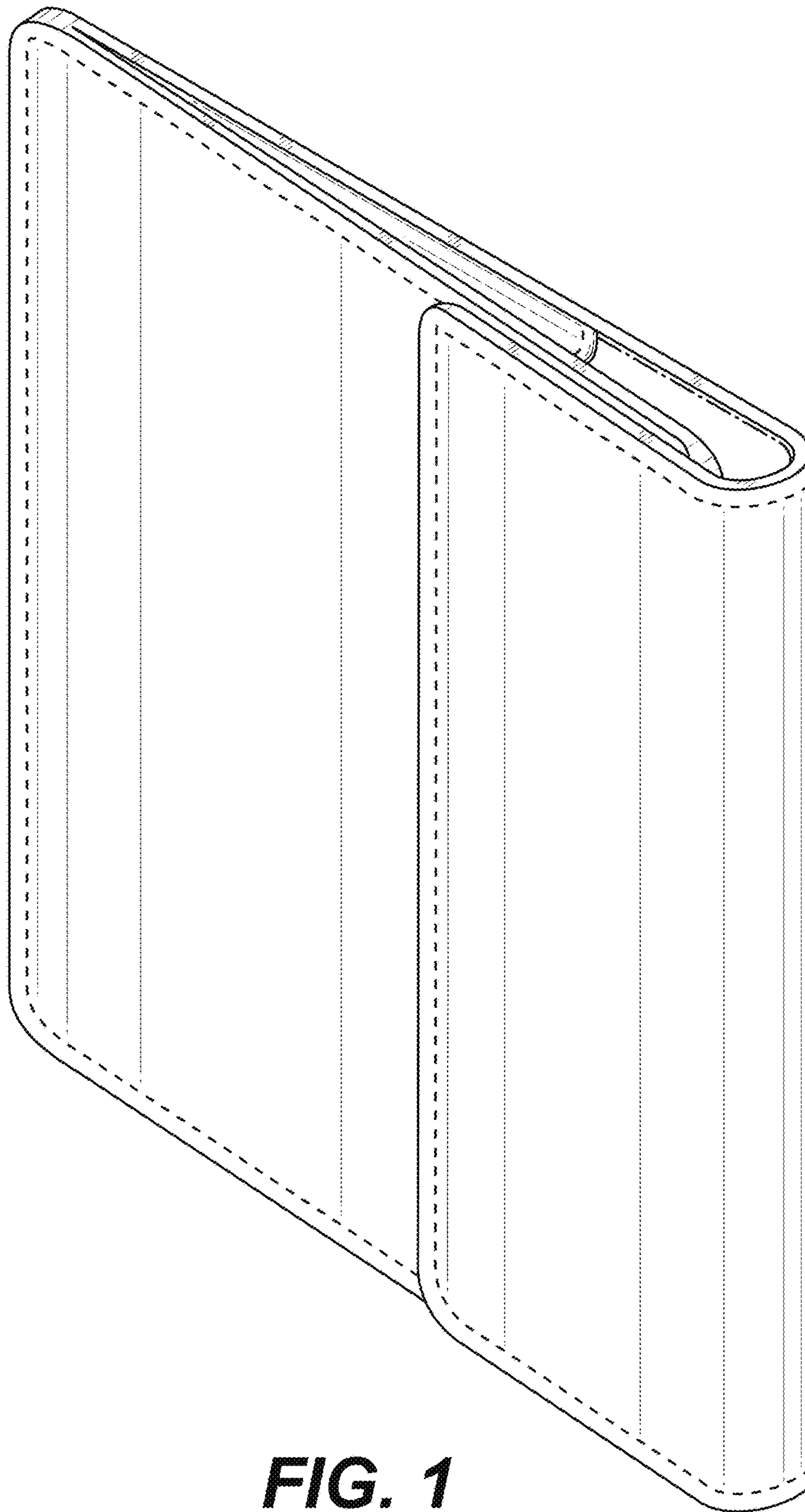


FIG. 1

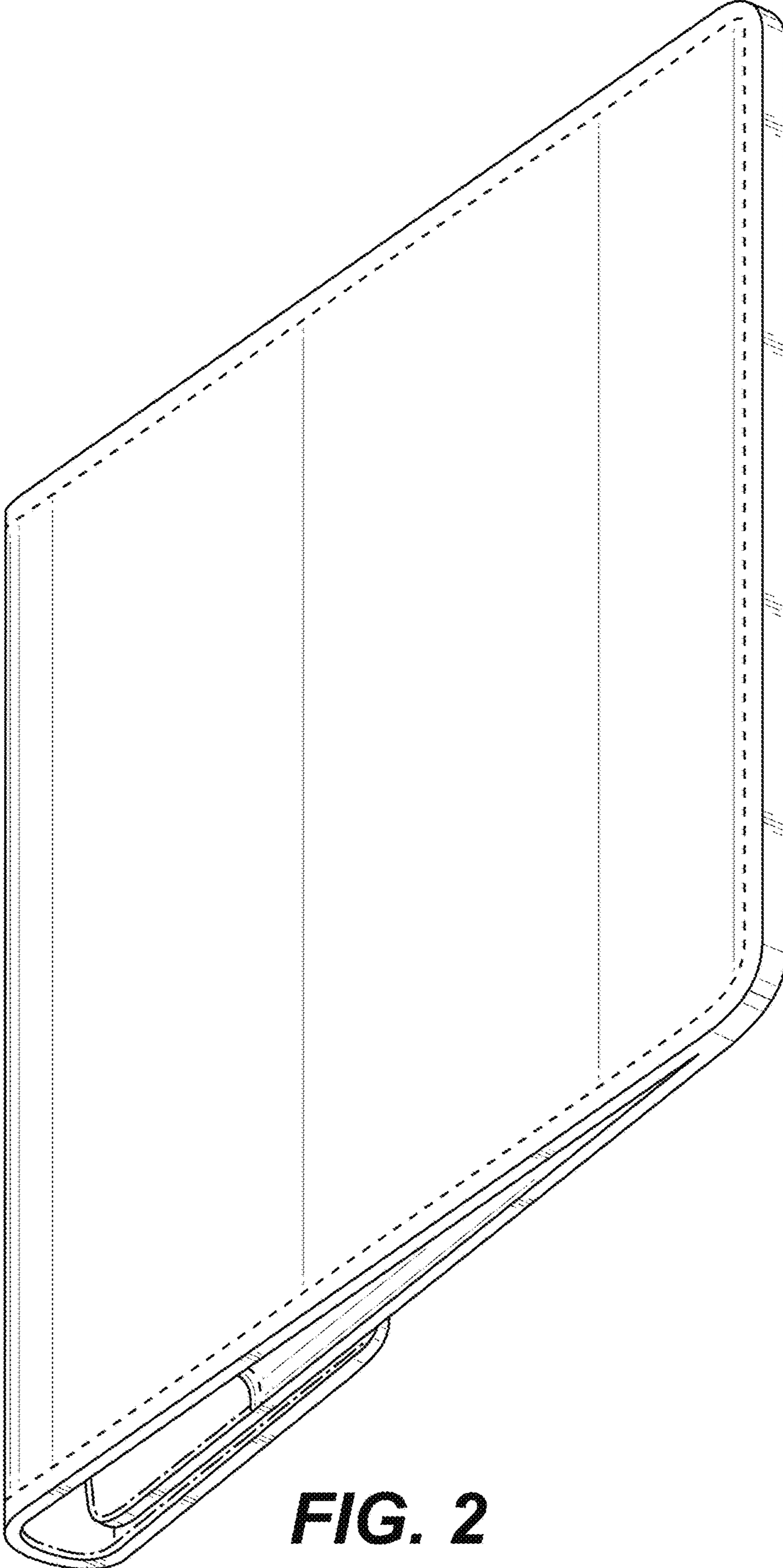


FIG. 2

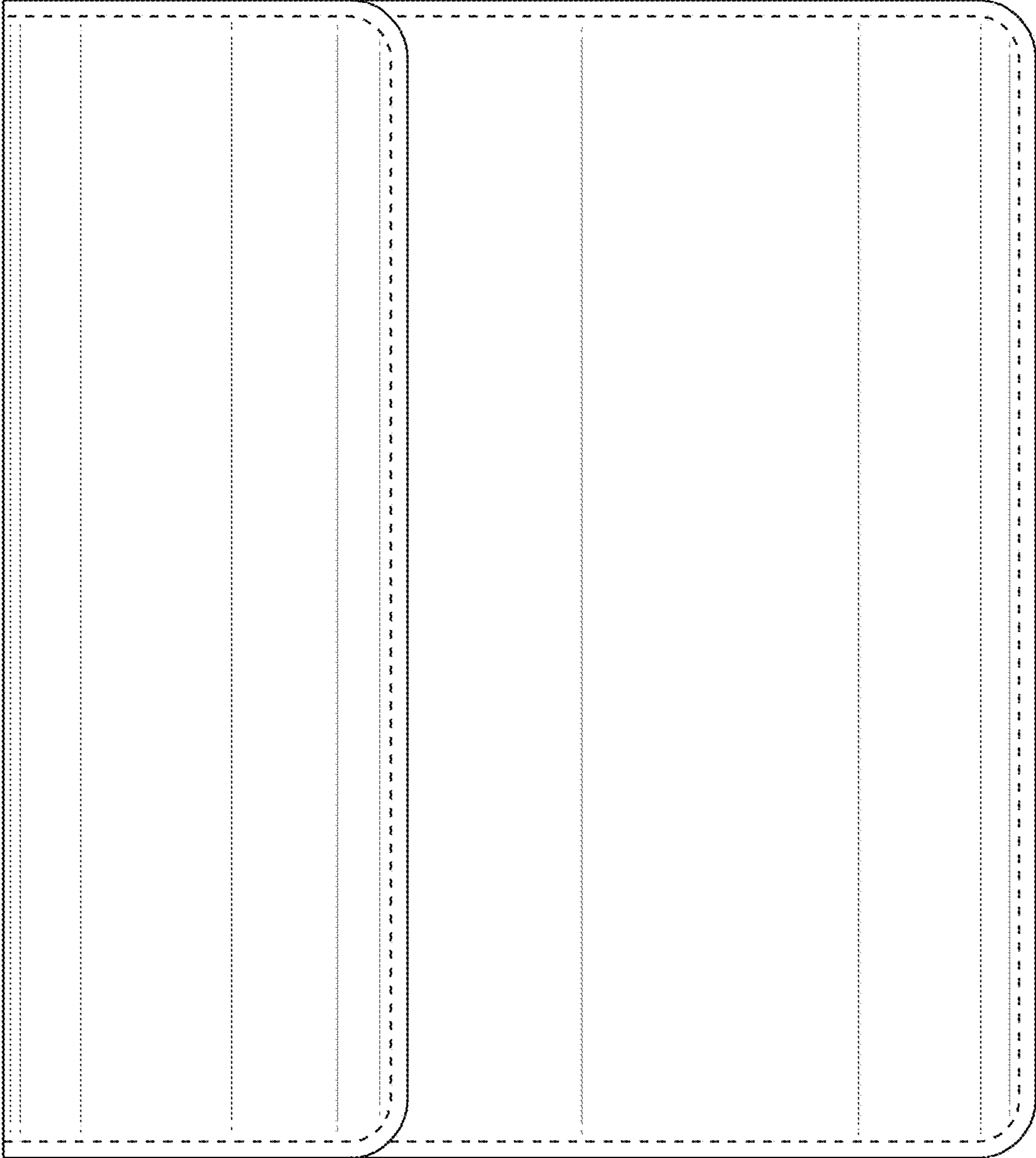


FIG. 3

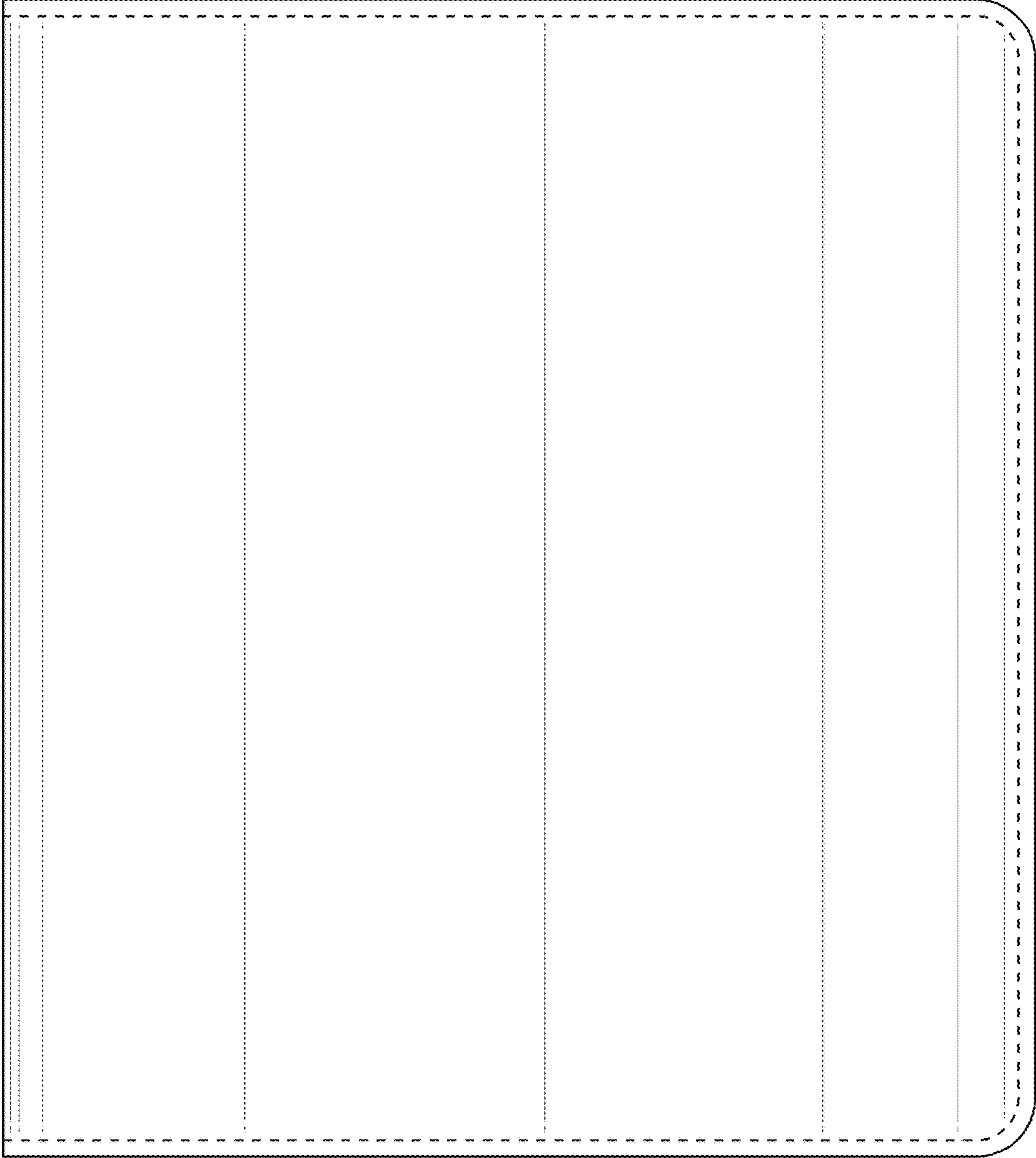


FIG. 4

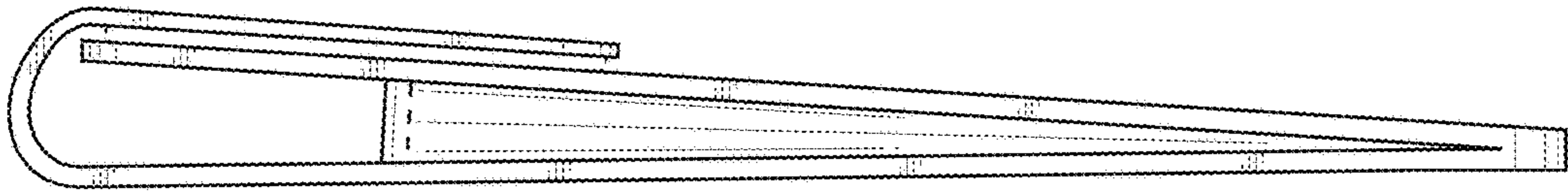


FIG. 5

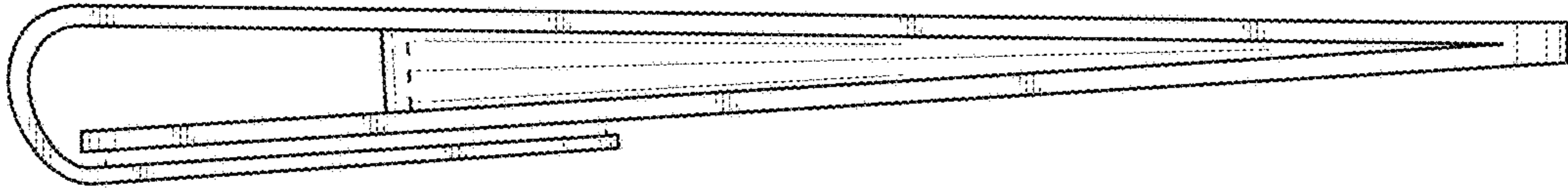


FIG. 6

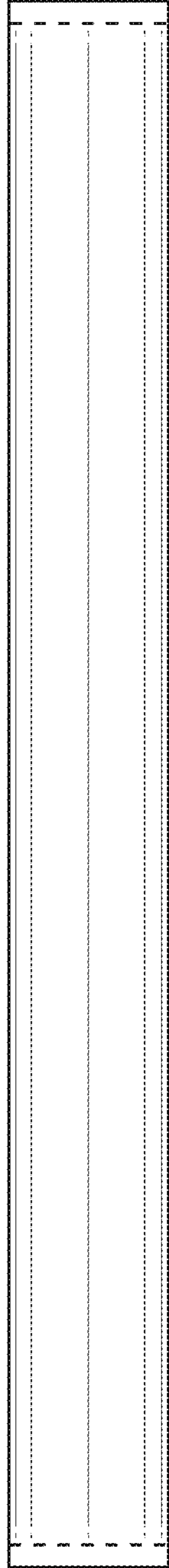


FIG. 7

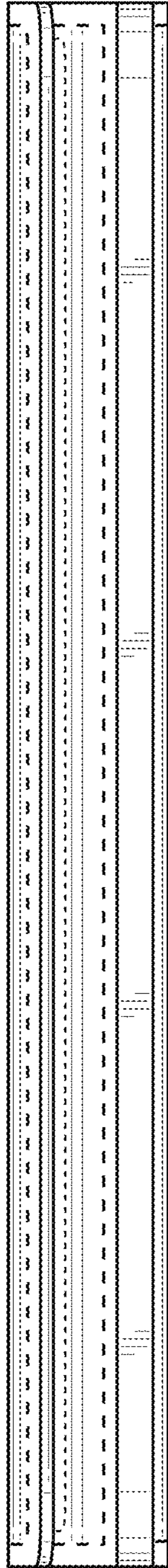


FIG. 8

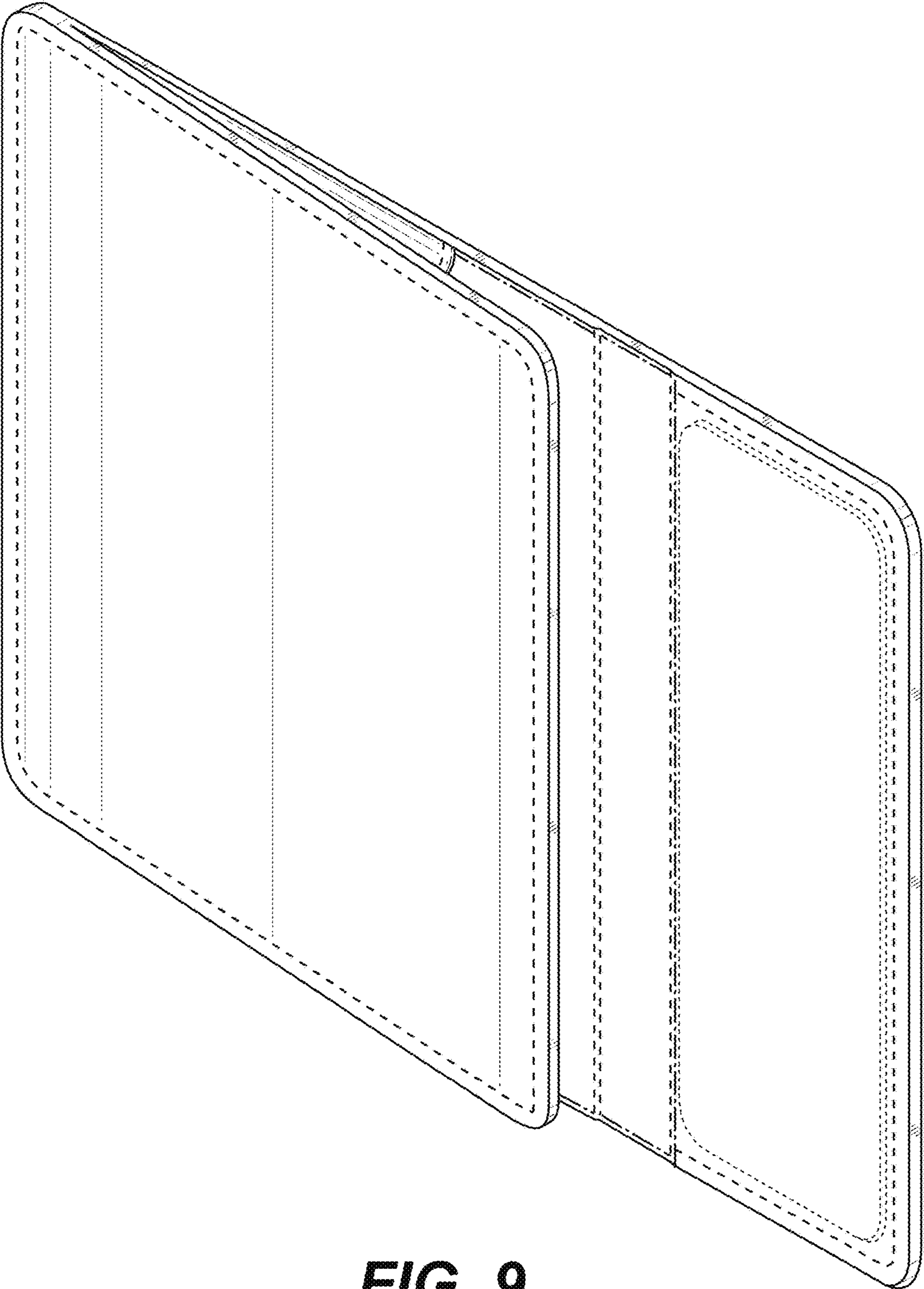


FIG. 9

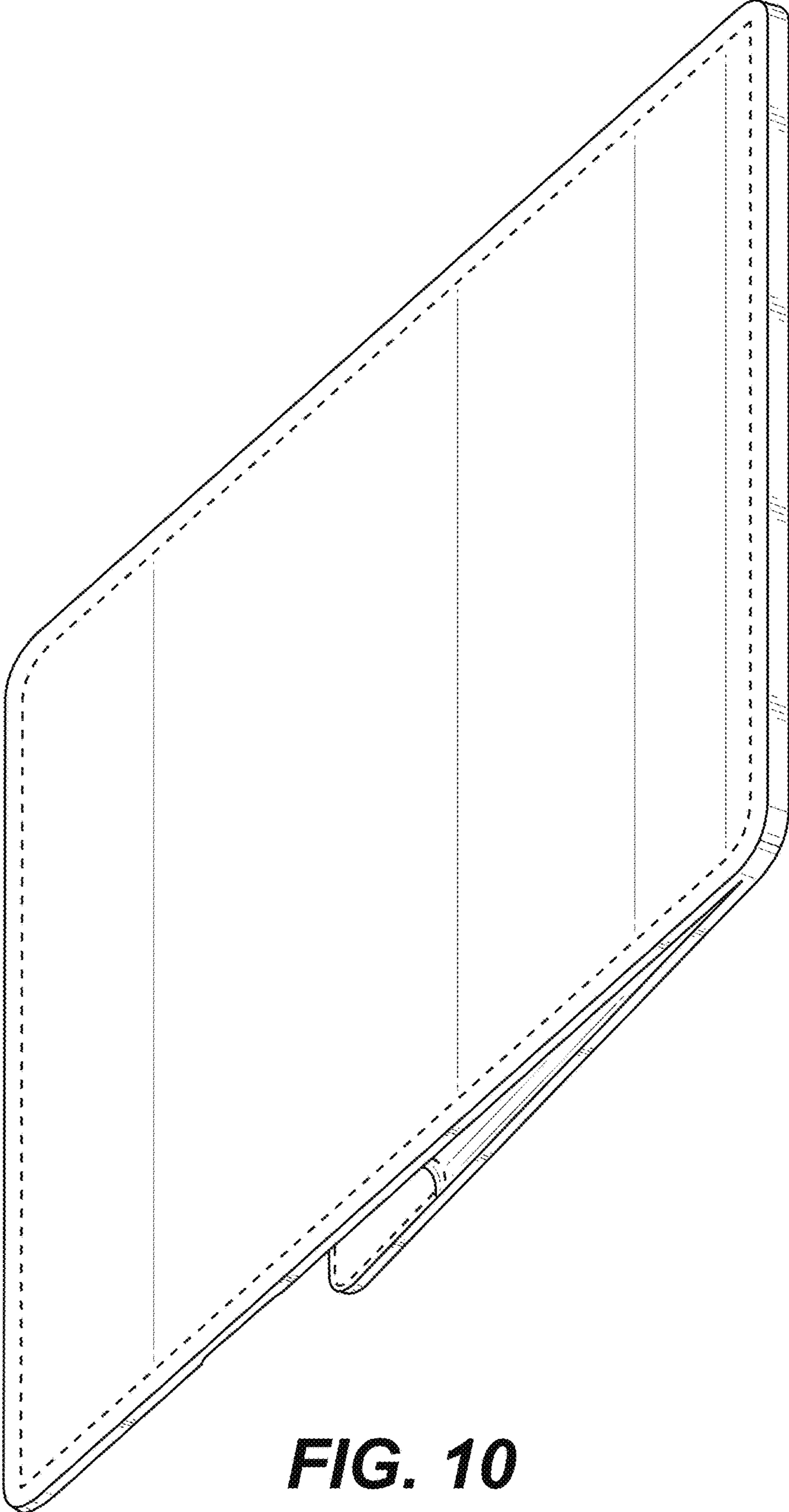


FIG. 10