



US00D853397S

(12) **United States Design Patent**  
**Wang**

(10) **Patent No.:** **US D853,397 S**

(45) **Date of Patent:** **\*\* Jul. 9, 2019**

(54) **MULTI-PORT USB HUB**

(71) Applicant: **Qiang Wang**, Beijing (CN)

(72) Inventor: **Qiang Wang**, Beijing (CN)

(73) Assignee: **Shenzhen City Feideyue Technology Co., Ltd**, Shenzhen (CN)

(\*\*) Term: **15 Years**

(21) Appl. No.: **29/624,908**

(22) Filed: **Nov. 6, 2017**

(51) **LOC (11) Cl.** ..... **14-03**

(52) **U.S. Cl.**  
USPC ..... **D14/435.1**

(58) **Field of Classification Search**  
USPC ..... D14/435.1, 480.1–480.7, 411, 433, 436,  
D14/484.1, 137, 155, 203.1–203.8, 240,  
D14/242, 133, 154  
CPC ..... H05K 5/0278; G06K 19/07732  
See application file for complete search history.

(56) **References Cited**

U.S. PATENT DOCUMENTS

D602,940 S \* 10/2009 McLean ..... D14/480.3  
D709,892 S \* 7/2014 Lui ..... D14/433

D740,291 S \* 10/2015 Turksu ..... D14/433  
D786,885 S \* 5/2017 Eliyahu ..... D14/480.1  
D791,138 S \* 7/2017 Eliyahu ..... D14/435.1  
D793,397 S \* 8/2017 Eliyahu ..... D14/433  
D794,028 S \* 8/2017 Lin ..... D14/433  
D797,747 S \* 9/2017 Xu ..... D14/433  
D800,139 S \* 10/2017 Brown ..... D14/480.5  
D826,942 S \* 8/2018 Lu ..... D14/433  
D828,839 S \* 9/2018 Zhang ..... D14/433  
D828,840 S \* 9/2018 Zhang ..... D14/433  
D828,841 S \* 9/2018 Zhang ..... D14/433

\* cited by examiner

*Primary Examiner* — Angela J Lee

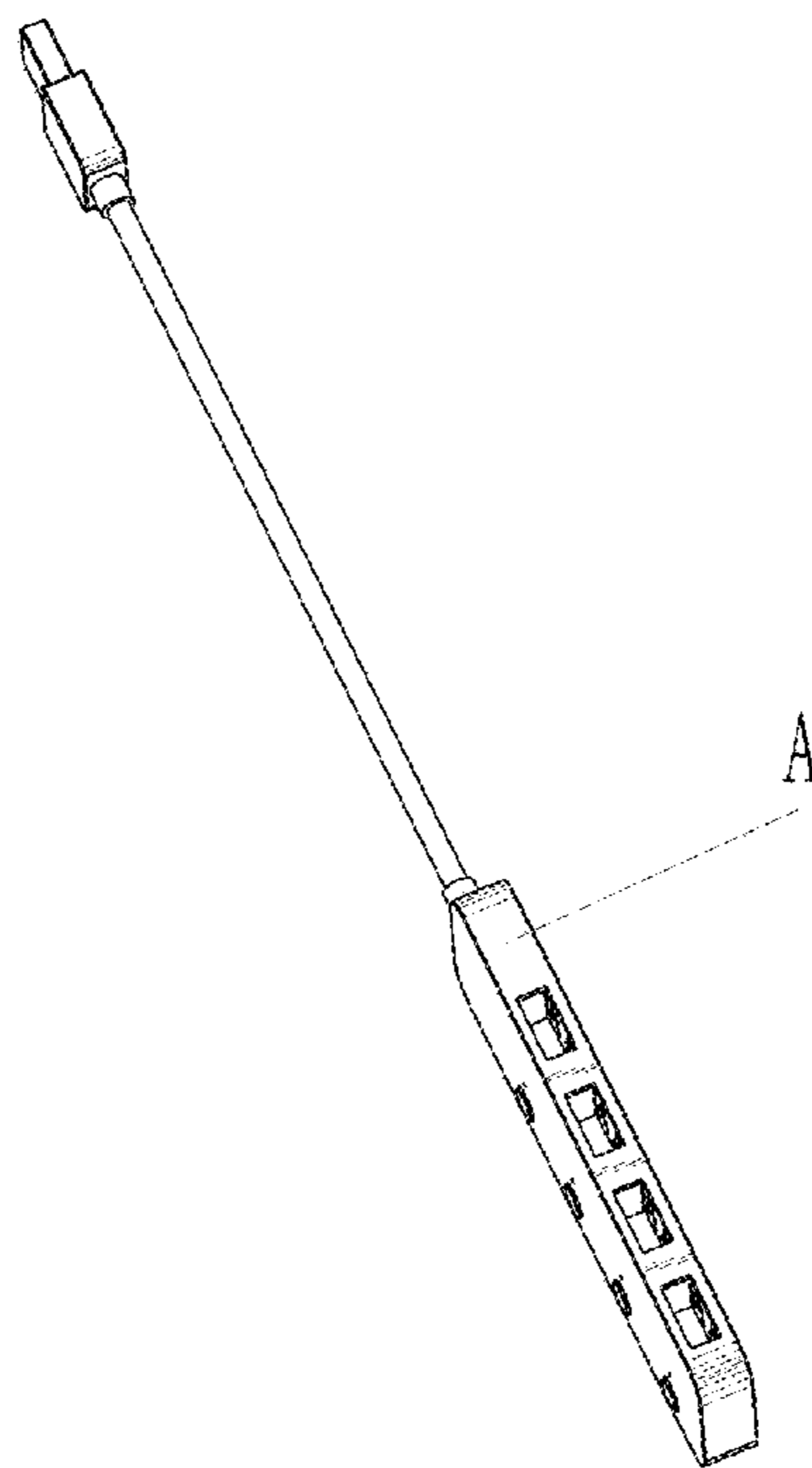
(57) **CLAIM**

The ornamental design for a multi-port USB hub, as shown and described.

**DESCRIPTION**

FIG. 1 is a front elevational view of a multi-port USB hub showing my new design;  
FIG. 2 is a rear elevational view thereof;  
FIG. 3 is a left side elevational view thereof;  
FIG. 4 is a right side elevational view thereof;  
FIG. 5 is a perspective view thereof; and,  
FIG. 6 is another enlarged perspective view of the part A of the FIG. 5.  
The cable is shown broken away in FIG. 6 for ease of illustration.

**1 Claim, 6 Drawing Sheets**



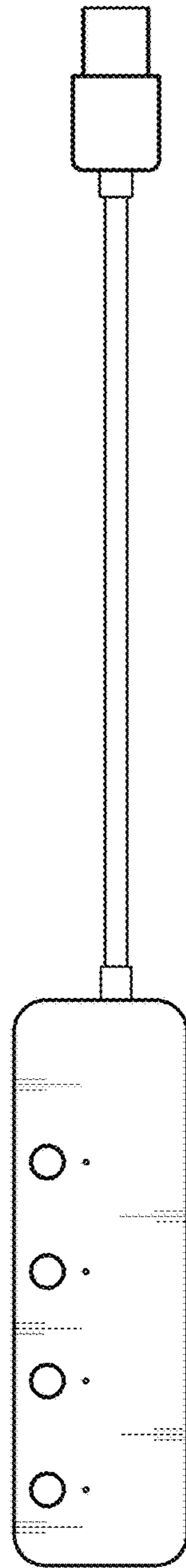


FIG.1

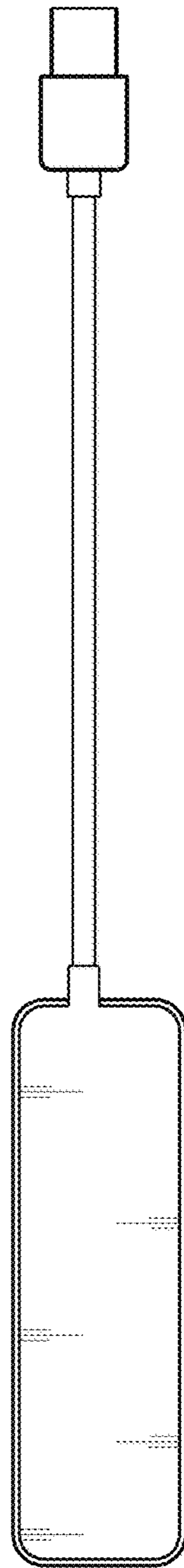


FIG.2

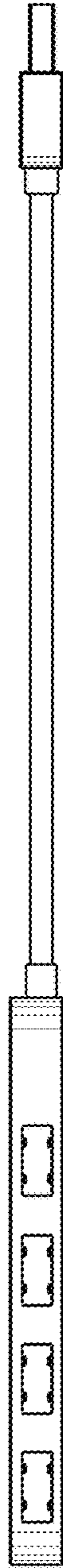


FIG.3

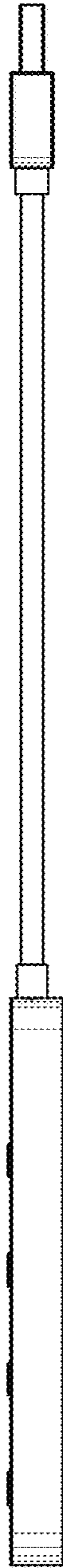


FIG.4

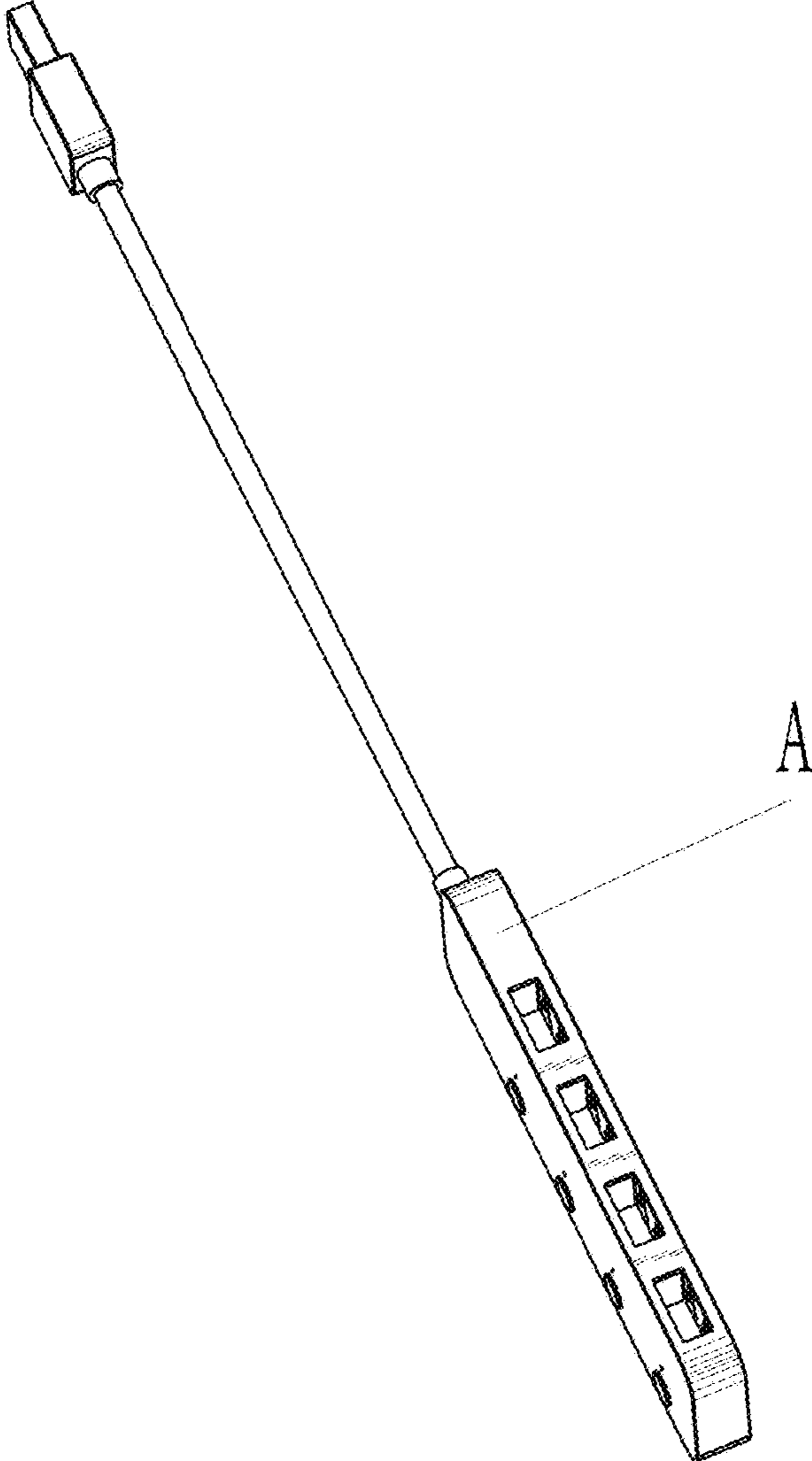


FIG.5

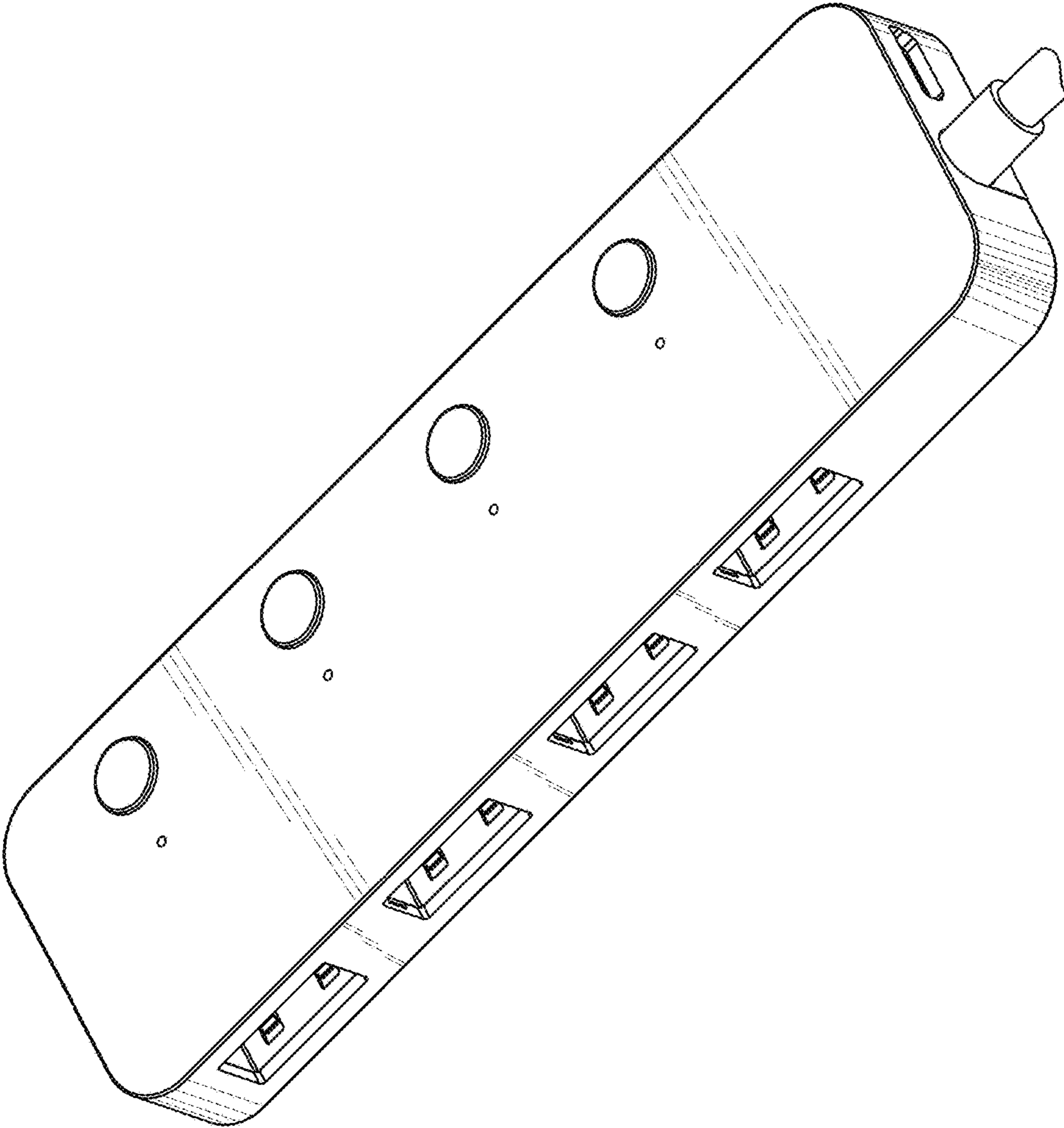


FIG.6