



US00D853395S

(12) **United States Design Patent** (10) **Patent No.:** **US D853,395 S**
McCracken et al. (45) **Date of Patent:** **** Jul. 9, 2019**

(54) **CONNECTOR HOUSING**
(71) Applicant: **Microsoft Corporation**, Redmond, WA (US)
(72) Inventors: **Ivan Andrew McCracken**, Bellevue, WA (US); **Benoit Rouger**, Bellevue, WA (US)
(73) Assignee: **Microsoft Corporation**, Redmond, WA (US)

(**) Term: **15 Years**

(21) Appl. No.: **29/599,231**

(22) Filed: **Mar. 31, 2017**

(51) **LOC (11) Cl.** **14-02**

(52) **U.S. Cl.**
USPC **D14/433**

(58) **Field of Classification Search**
USPC D14/240, 242, 356, 358, 363, 365, 367, D14/370, 432-437, 439, 498, 125, 366, D14/168, 496; D13/147, 164, 123, 133, D13/146, 110, 199, 103, 162, 159, 160, D13/184; 361/683, 684, 686, 724, 735, 361/737, 752; D18/40
CPC H01R 25/006; H01R 27/02; H01R 31/005; G06F 13/4022; G06F 13/382; G06F 1/1632; G06F 1/1684; G06F 1/20; G06F 1/1607

See application file for complete search history.

(56) **References Cited**

U.S. PATENT DOCUMENTS

D543,153 S * 5/2007 Hayes D13/154
D559,193 S * 1/2008 Stavoe D13/133
D680,539 S * 4/2013 Kim D14/433
D682,835 S * 5/2013 Daniel D14/433
D721,374 S * 1/2015 Liu D14/433
9,017,092 B1 * 4/2015 McCracken H01R 13/62
439/374
D740,828 S * 10/2015 Bucsa D14/433

D745,523 S * 12/2015 Magi D14/433
D769,877 S * 10/2016 Akana D14/433
D772,878 S * 11/2016 Chiang D14/433
D781,294 S * 3/2017 Schwalbach D14/433
D796,514 S * 9/2017 Xu D14/433
D797,747 S * 9/2017 Xu D14/433
D798,301 S * 9/2017 Kujawski D14/433
D826,942 S * 8/2018 Lu D14/433
D828,354 S * 9/2018 Chuang D14/433
D828,356 S * 9/2018 Xie D14/433
D828,839 S * 9/2018 Zhang D14/433
D828,840 S * 9/2018 Zhang D14/433

(Continued)

OTHER PUBLICATIONS

“Office Action Issued in Canadian Patent Application No. 177425”, dated May 2, 2018, 2 Pages.

(Continued)

Primary Examiner — Austin Murphy

(74) *Attorney, Agent, or Firm* — Banner & Witcoff, Ltd.

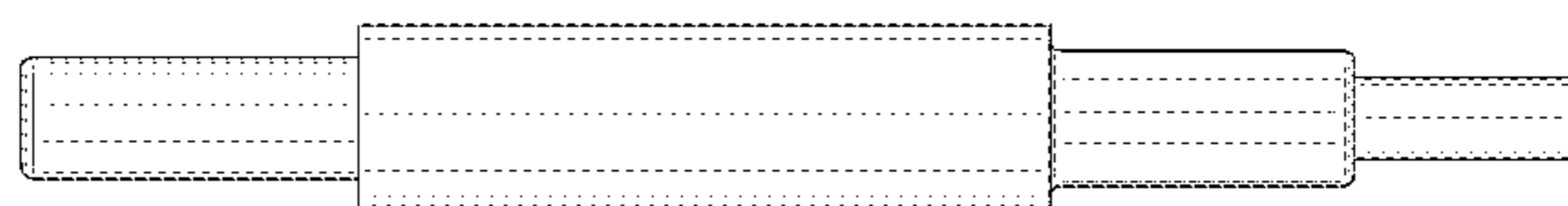
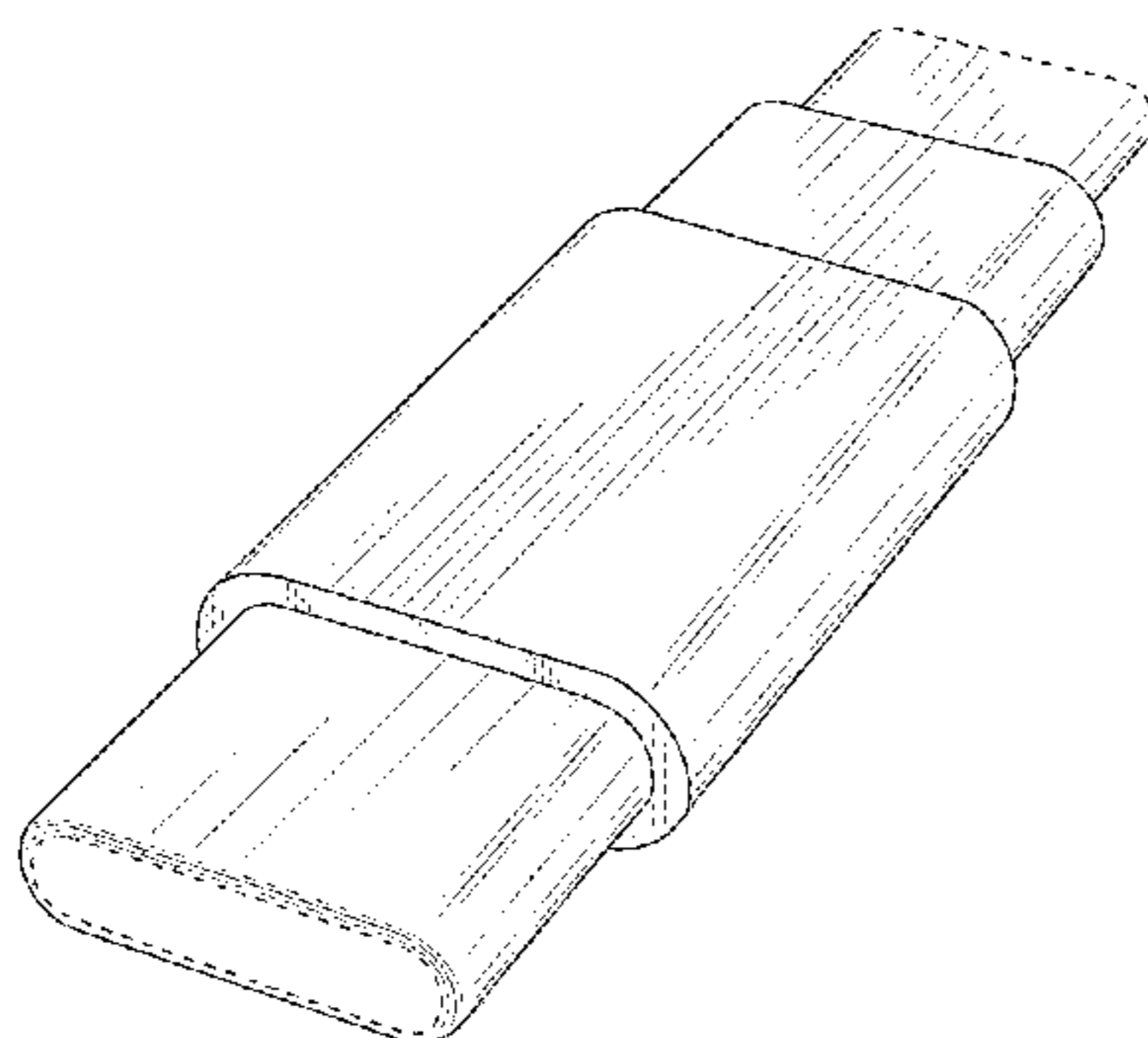
(57) **CLAIM**

The ornamental design for a connector housing, as shown and described.

DESCRIPTION

FIG. 1 is a front perspective view of a connector housing showing our new design;
FIG. 2 is a rear perspective view thereof;
FIG. 3 is a top view thereof;
FIG. 4 is a bottom view thereof;
FIG. 5 is a left side view thereof;
FIG. 6 is a right side view thereof;
FIG. 7 is a rear view thereof; and,
FIG. 8 is a front view thereof.
The broken line showing of the various unshaded elements illustrates environmental structure and forms no part of the claimed design.

1 Claim, 8 Drawing Sheets



(56)

References Cited

U.S. PATENT DOCUMENTS

D828,841 S * 9/2018 Zhang D14/433
D832,849 S * 11/2018 Kim D14/433

OTHER PUBLICATIONS

“Office Action Issued in Canadian Patent Application No. 177426”,
dated May 2, 2018, 2 Pages.

“Office Action Issued in Canadian Patent Application No. 177427”,
dated May 2, 2018, 2 Pages.

StarTech.com: “Thunderbolt 3: The Basics”: Mar. 7, 2016.

amazon.com: “USB 3.0 Type A Female to Micro Male Adapter”:
Oct. 29, 2011.

dx.com: “Micro USB to USB Female OTG Data Adapter Cable for
Tab let PC—Black”: Nov. 2, 2012.

amazon.com: “Generic USB A Female to Mini USB B 5 Pin Male
Adapter”: Apr. 14, 2015.

disctech.com; “Generic USB Type-C to USB 3.0 Type-A to USB
Type-C “Y” Cable”; disclosure date unknown but prior to date of
filing.

* cited by examiner

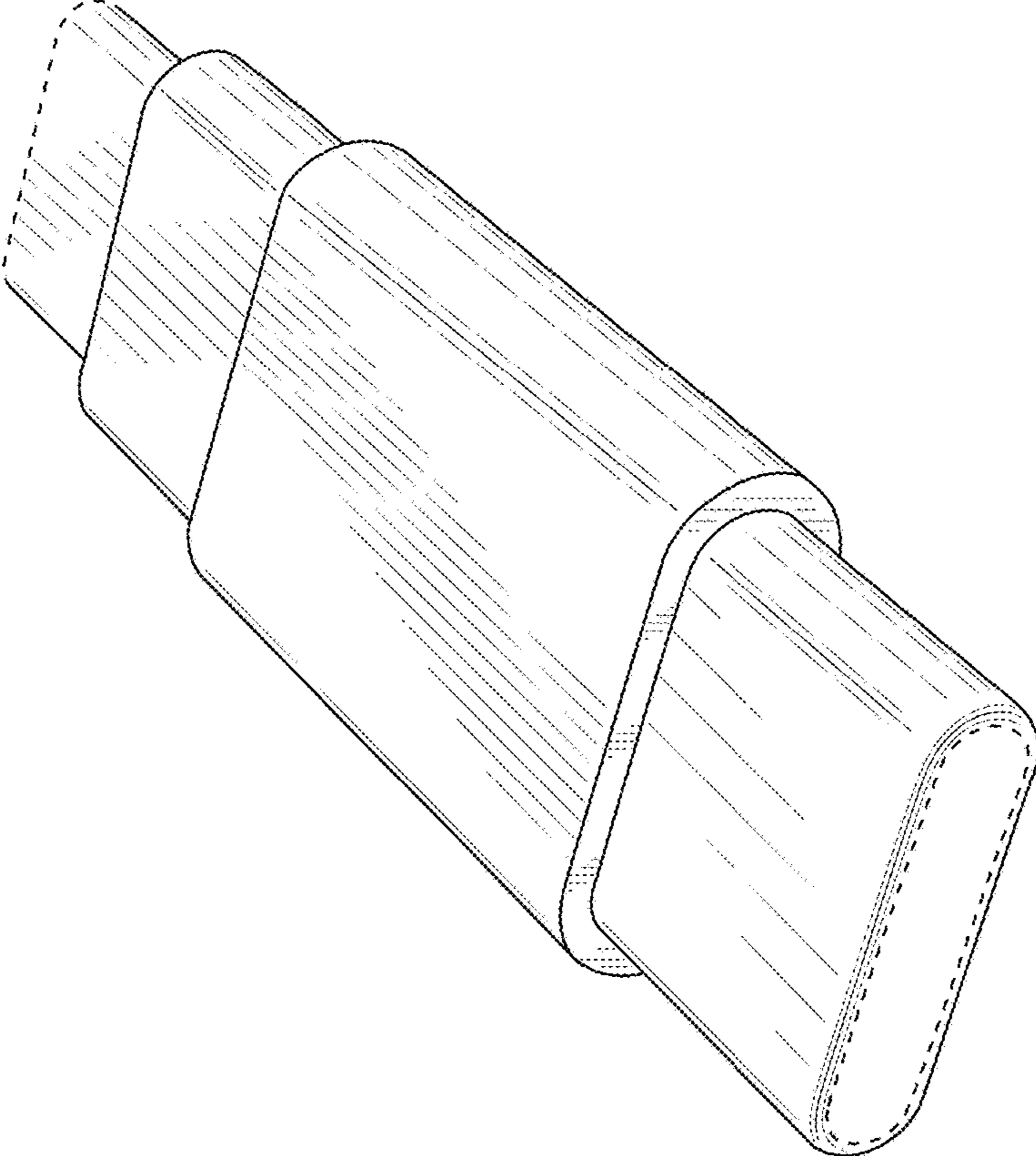


FIG. 1

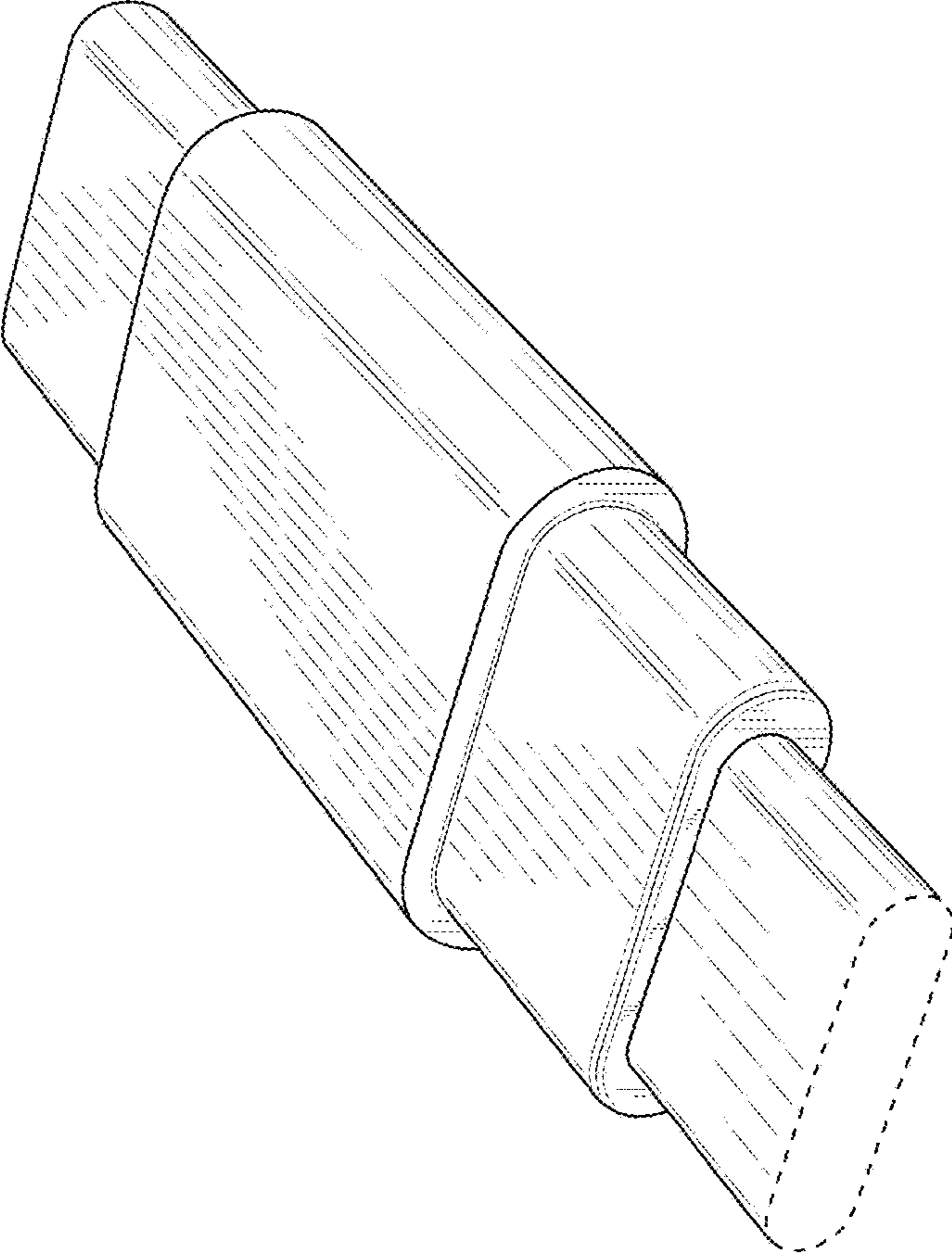


FIG. 2

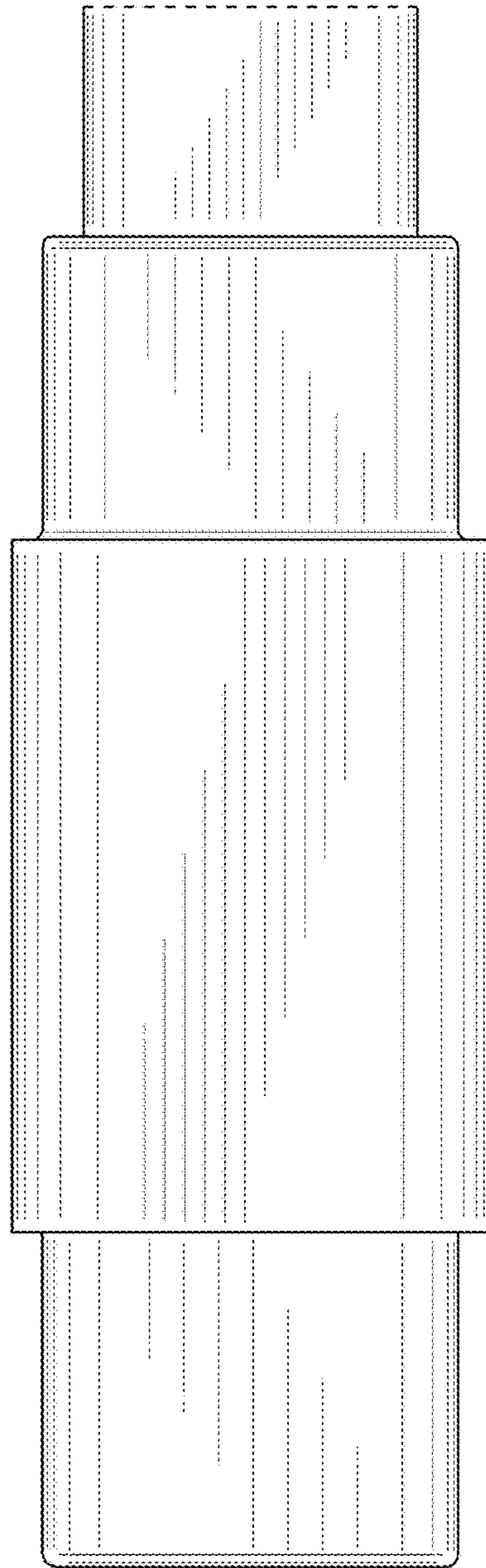


FIG. 3

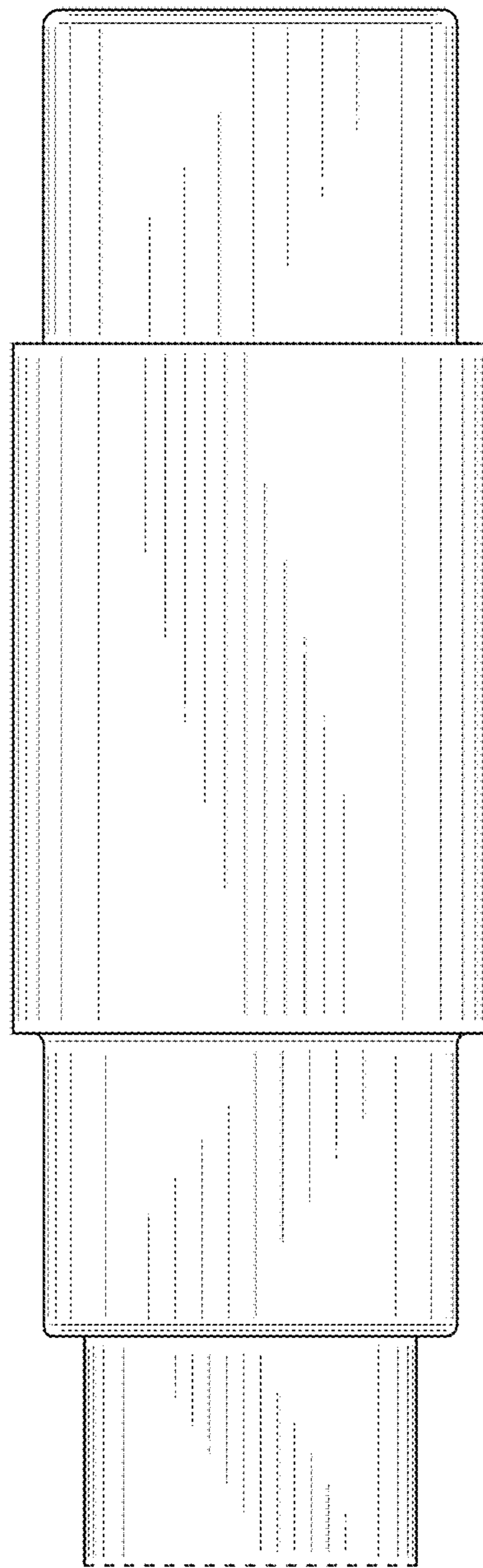


FIG. 4

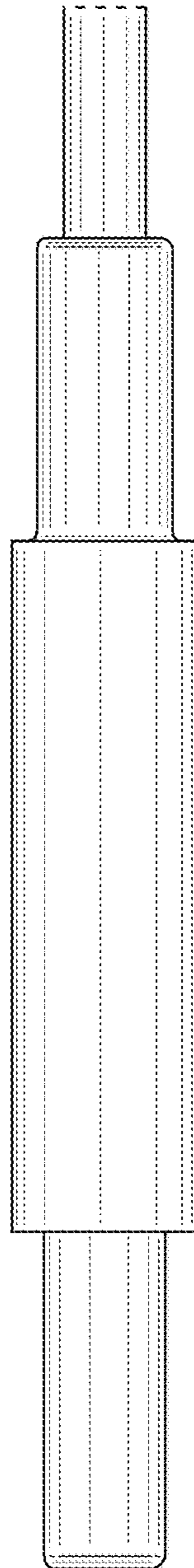


FIG. 5

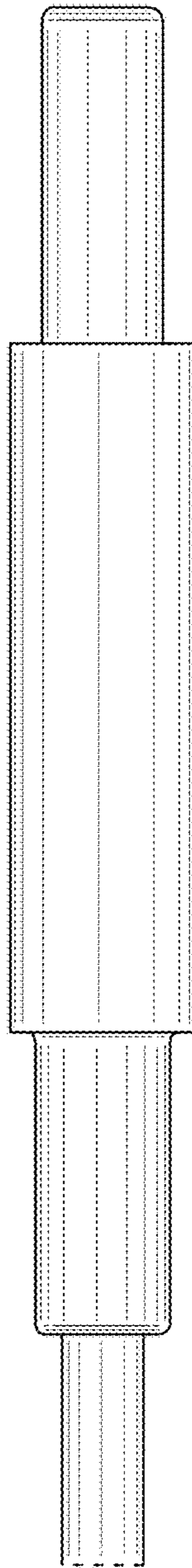


FIG. 6

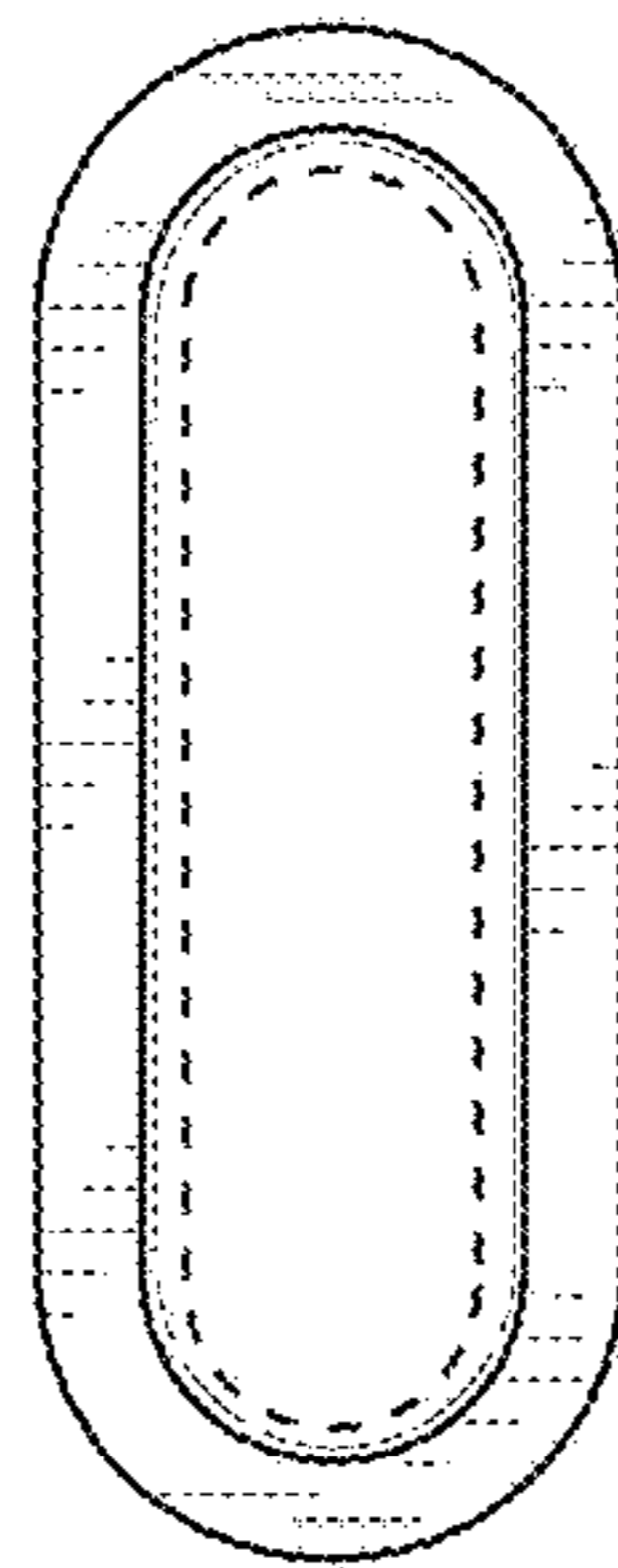


FIG. 7

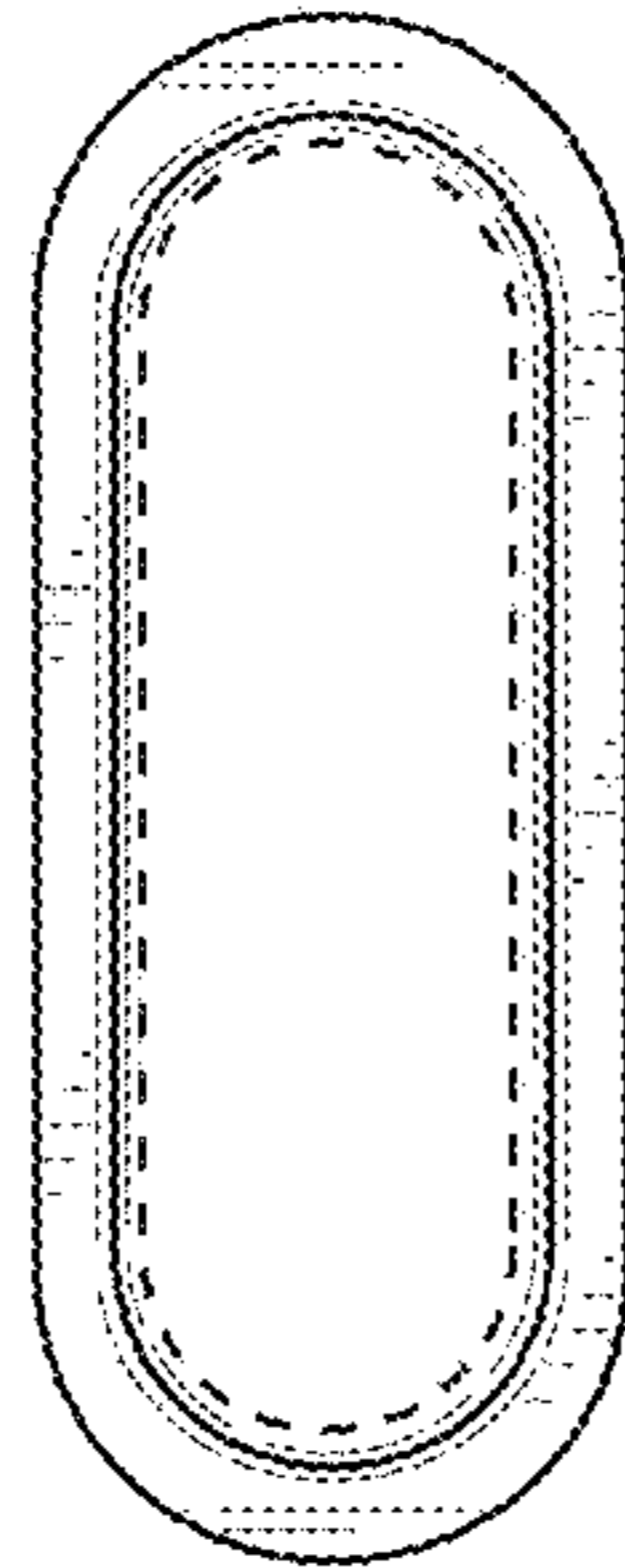


FIG. 8