



US00D853393S

(12) **United States Design Patent**  
**McCracken et al.**

(10) **Patent No.:** **US D853,393 S**

(45) **Date of Patent:** **\*\* Jul. 9, 2019**

(54) **CONNECTOR HOUSING**

(71) Applicant: **Microsoft Corporation**, Redmond, WA (US)

(72) Inventors: **Ivan Andrew McCracken**, Bellevue, WA (US); **Benoit Rouger**, Bellevue, WA (US)

(73) Assignee: **Microsoft Corporation**, Redmond, WA (US)

(\*\*) Term: **15 Years**

(21) Appl. No.: **29/599,223**

(22) Filed: **Mar. 31, 2017**

(51) **LOC (11) Cl.** ..... **14-02**

(52) **U.S. Cl.**  
USPC ..... **D14/433**

(58) **Field of Classification Search**  
USPC ..... D14/240, 242, 356, 358, 363, 365, 367, D14/370, 432-437, 439, 498, 125, 366, D14/168, 496; D13/147, 164, 123, 133, D13/146, 110, 199, 103, 162, 159, 160, D13/184; 361/683, 684, 686, 724, 735, 361/737, 752; D18/40

CPC .... H01R 25/006; H01R 27/02; H01R 31/005; G06F 13/4022; G06F 13/382; G06F 1/1632; G06F 1/1684; G06F 1/20; G06F 1/1607

See application file for complete search history.

(56) **References Cited**

**U.S. PATENT DOCUMENTS**

D543,153 S *	5/2007	Hayes	.....	D13/154
D559,193 S *	1/2008	Stavoe	.....	D13/133
D680,539 S *	4/2013	Kim	.....	D14/433
D682,835 S *	5/2013	Daniel	.....	D14/433
D721,374 S *	1/2015	Liu	.....	D14/433
9,017,092 B1 *	4/2015	McCracken	.....	H01R 13/62 439/374

D740,828 S *	10/2015	Bucsa	.....	D14/433
D745,523 S *	12/2015	Magi	.....	D14/433
D769,877 S *	10/2016	Akana	.....	D14/433
D772,878 S *	11/2016	Chiang	.....	D14/433
D781,294 S *	3/2017	Schwalbach	.....	D14/433
D796,514 S *	9/2017	Xu	.....	D14/433
D797,747 S *	9/2017	Xu	.....	D14/433
D798,301 S *	9/2017	Kujawski	.....	D14/433
D826,942 S *	8/2018	Lu	.....	D14/433
D828,354 S *	9/2018	Chuang	.....	D14/433
D828,356 S *	9/2018	Xie	.....	D14/433
D828,839 S *	9/2018	Zhang	.....	D14/433
D828,840 S *	9/2018	Zhang	.....	D14/433

(Continued)

**OTHER PUBLICATIONS**

StarTech.com: "Thunderbolt 3: The Basics": Mar. 7, 2016.

(Continued)

*Primary Examiner* — Austin Murphy

(74) *Attorney, Agent, or Firm* — Banner & Witcoff, Ltd.

(57) **CLAIM**

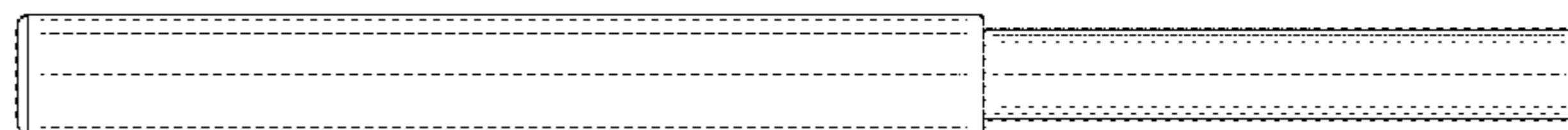
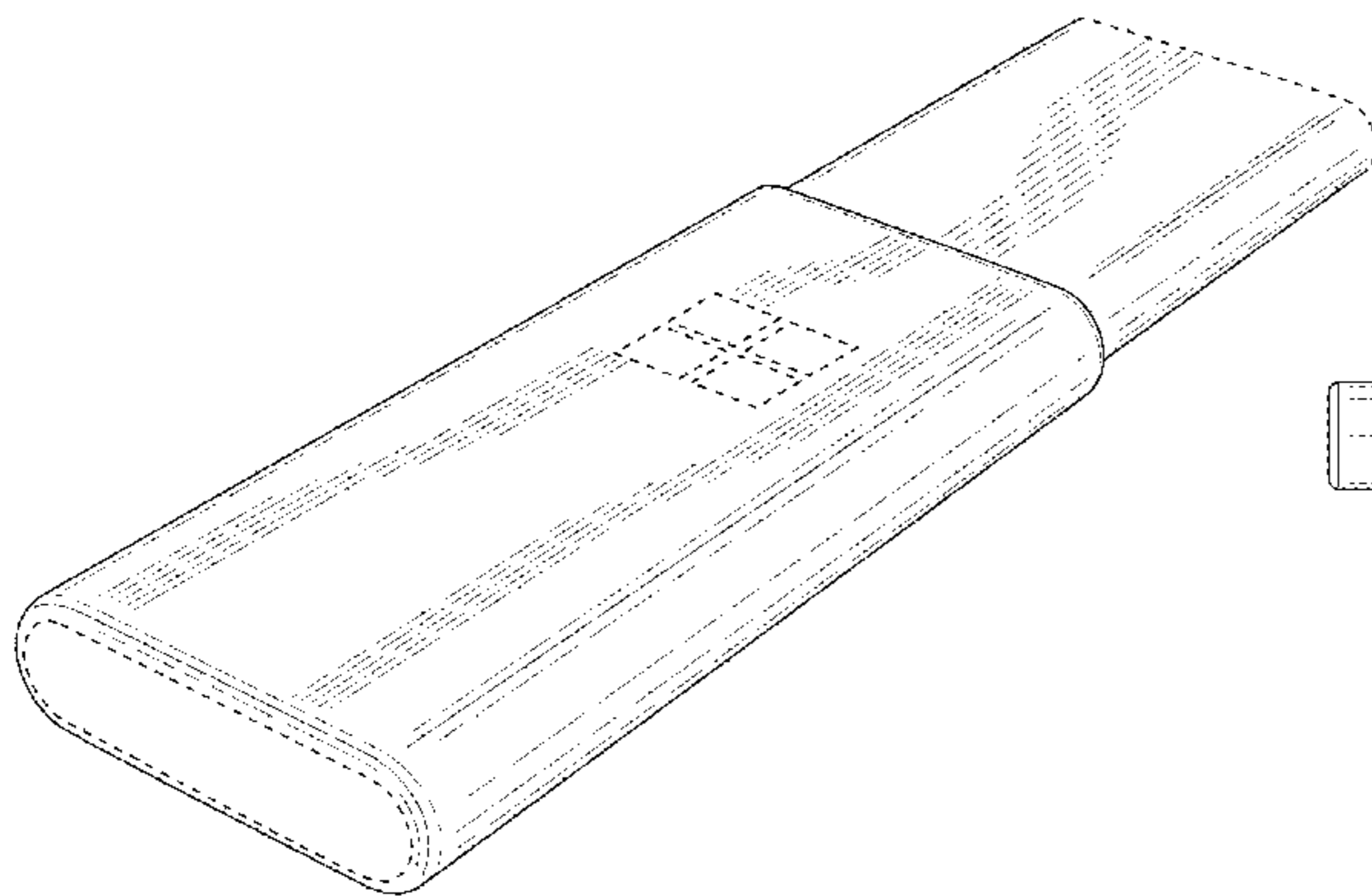
The ornamental design for a connector housing, as shown and described.

**DESCRIPTION**

FIG. 1 is a front perspective view of a connector housing showing our new design;  
FIG. 2 is a rear perspective view thereof;  
FIG. 3 is a top view thereof;  
FIG. 4 is a bottom view thereof;  
FIG. 5 is a left side view thereof;  
FIG. 6 is a right side view thereof;  
FIG. 7 is a rear view thereof; and,  
FIG. 8 is a front view thereof.

The broken line showing of the various unshaded elements illustrates environmental structure and forms no part of the claimed design.

**1 Claim, 8 Drawing Sheets**



(56)

**References Cited**

U.S. PATENT DOCUMENTS

D828,841 S \* 9/2018 Zhang ..... D14/433  
D832,849 S \* 11/2018 Kim ..... D14/433

OTHER PUBLICATIONS

amazon.com: “USB 3.0 Type A Female to Micro Male Adapter”:  
Oct. 29, 2011.

dx.com: “Micro USB to USB Female OTG Data Adapter Cable for  
Tab let PC—Black”: Nov. 2, 2012.

amazon.com: “Generic USB A Female to Mini USB B 5 Pin Male  
Adapter”: Apr. 14, 2015.

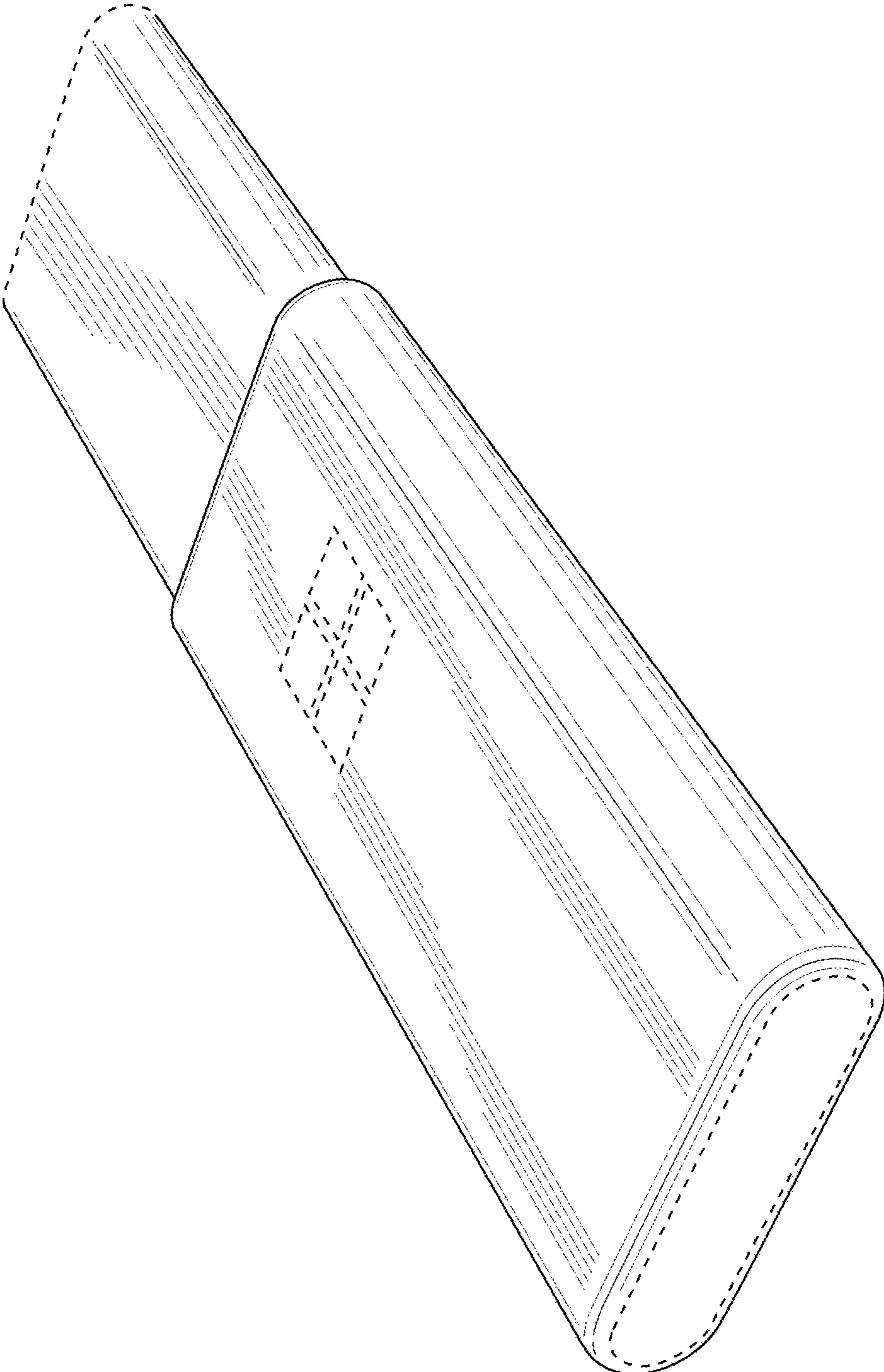
disctech.com; “Generic USB Type-C to USB 3.0 Type-A to USB  
Type-C “Y” Cable”; disclosure date unknown but prior to date of  
filing.

“Office Action Issued in Canadian Patent Application No. 177425”,  
dated May 2, 2018, 2 Pages.

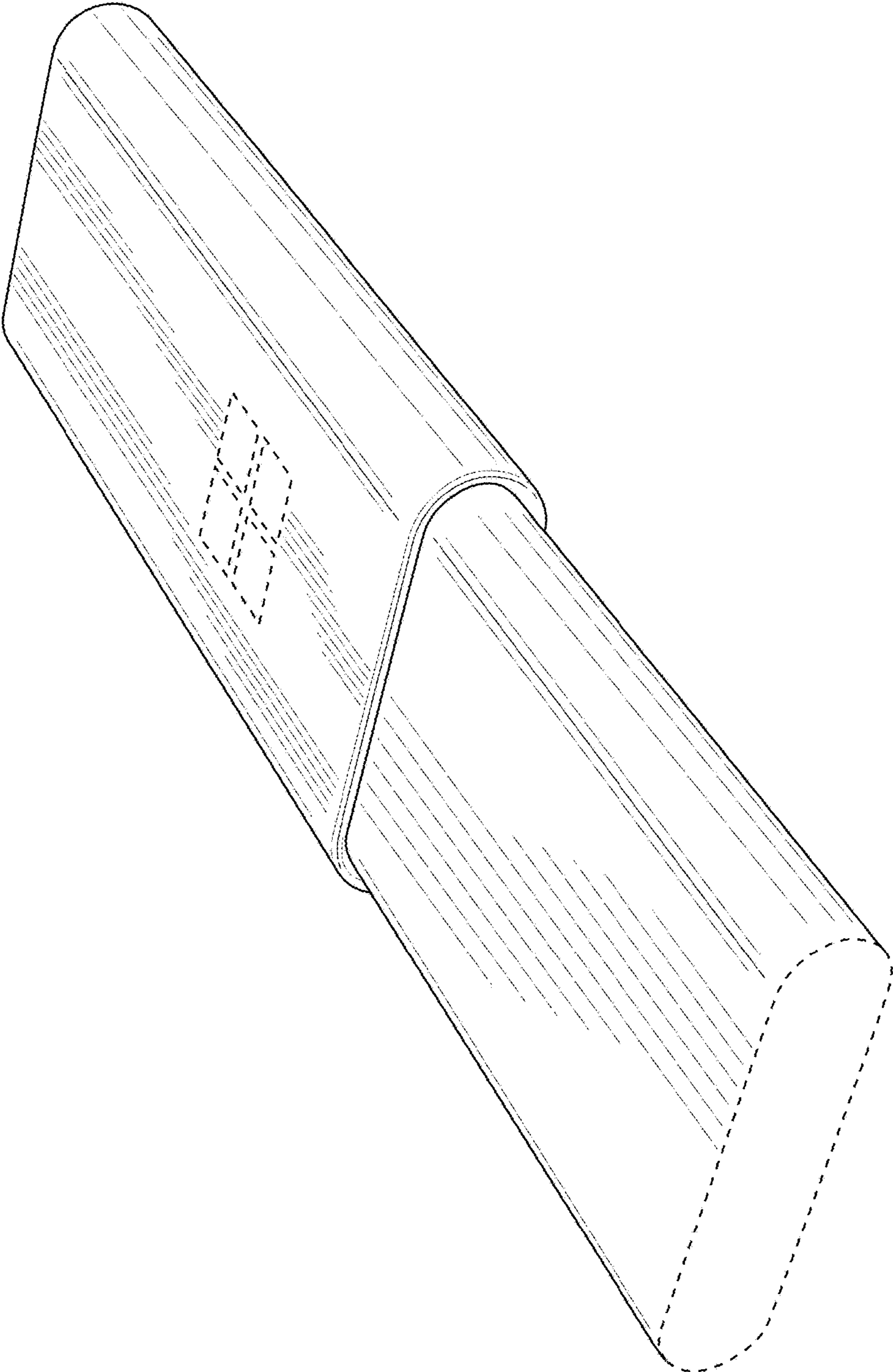
“Office Action Issued in Canadian Patent Application No. 177426”,  
dated May 2, 2018, 2 Pages.

“Office Action Issued in Canadian Patent Application No. 177427”,  
dated May 2, 2018, 2 Pages.

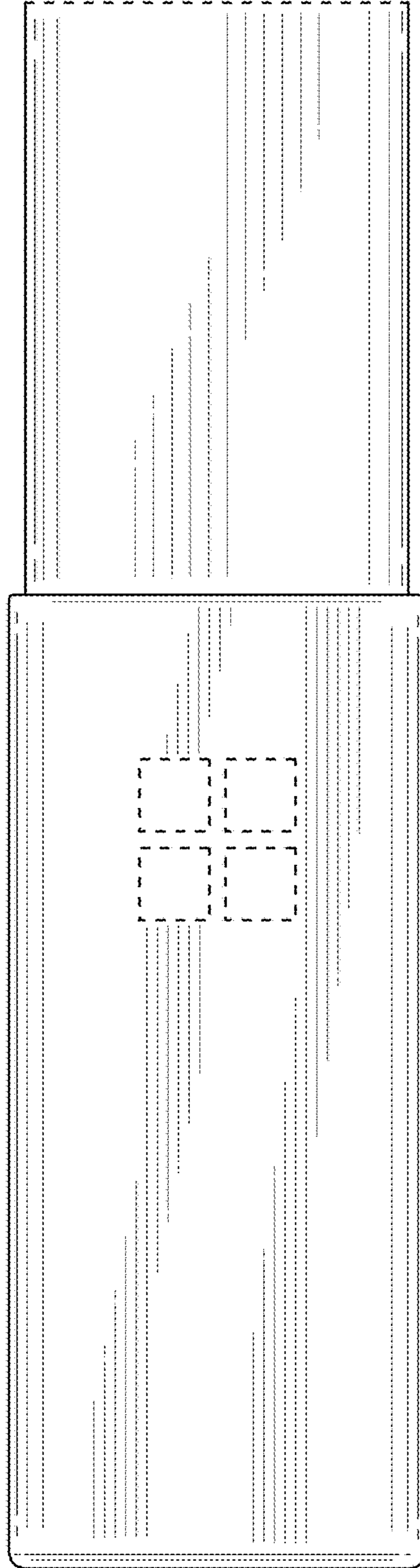
\* cited by examiner



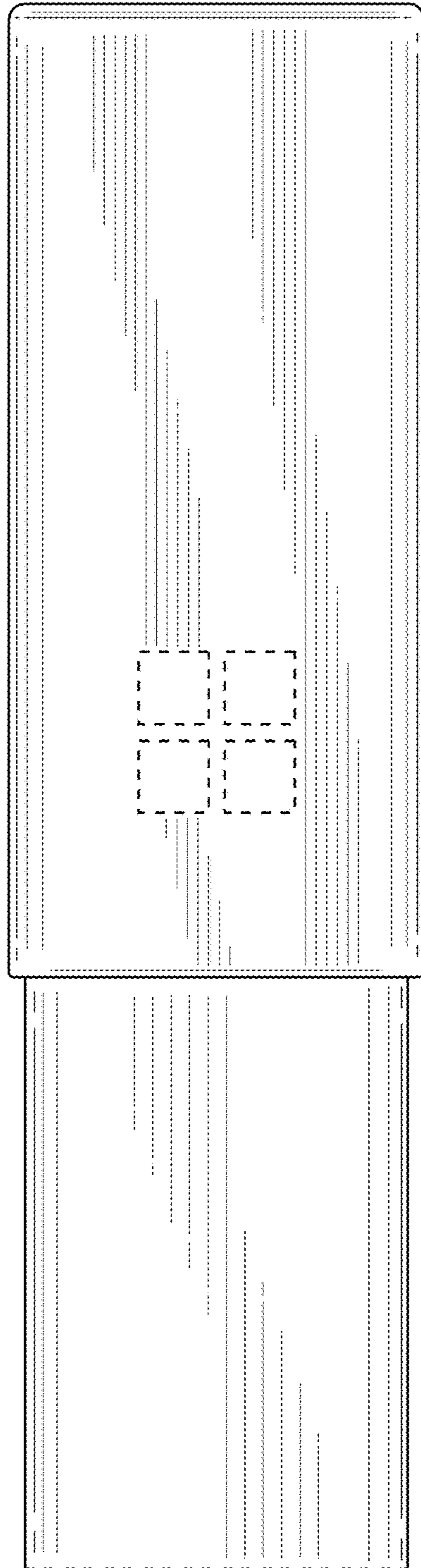
**FIG. 1**



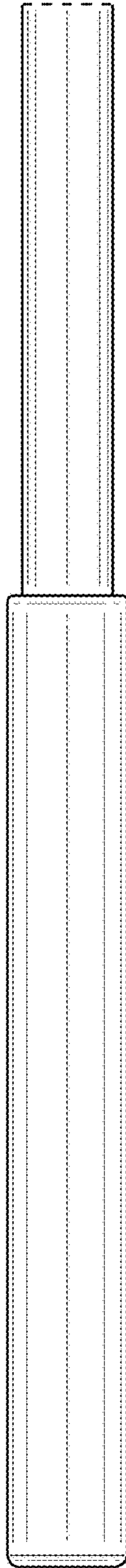
**FIG. 2**



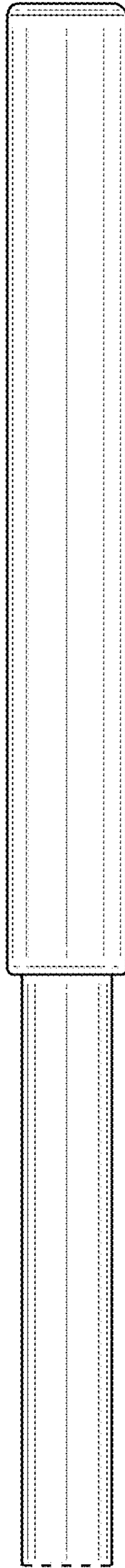
**FIG. 3**



**FIG. 4**

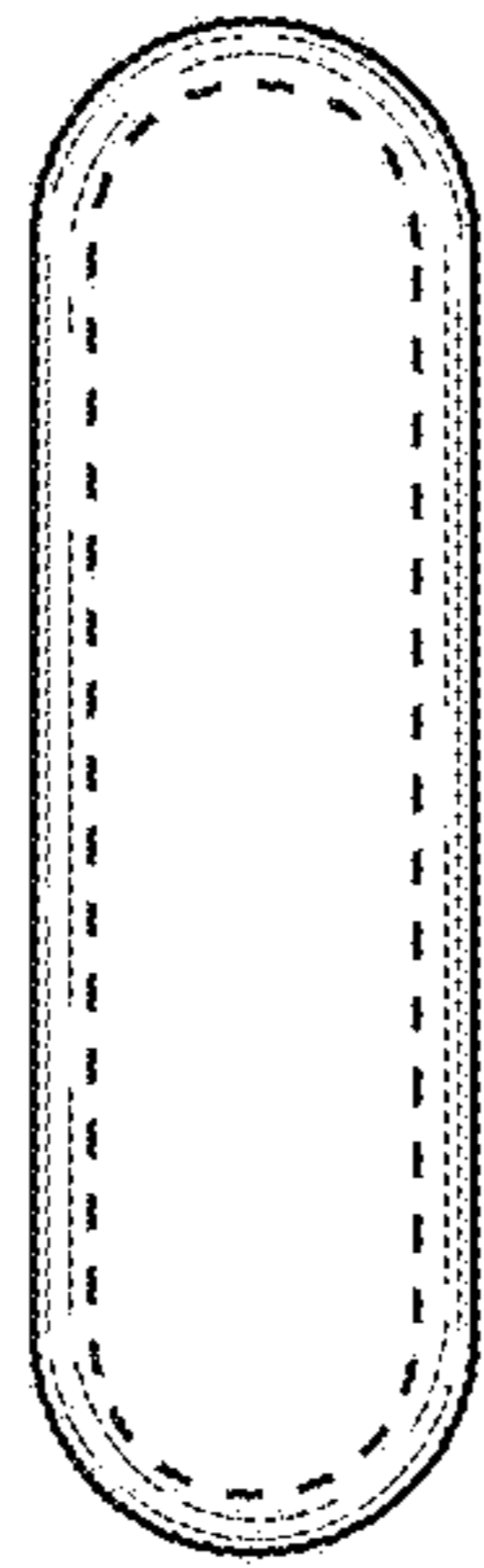


**FIG. 5**

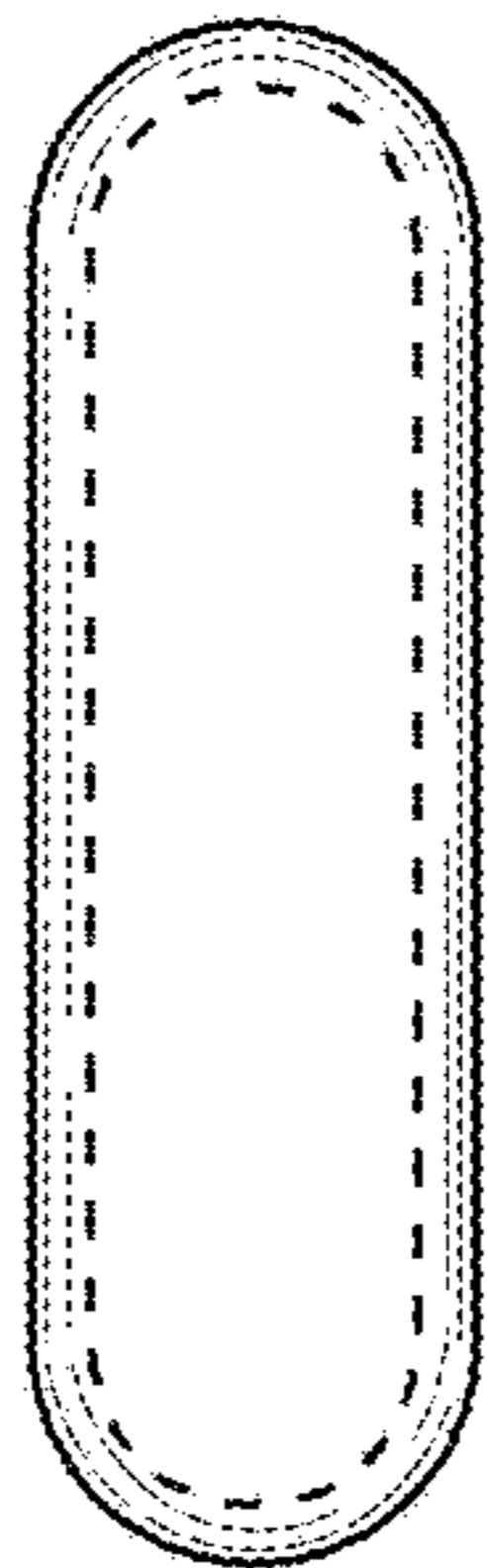


**FIG. 6**





**FIG. 7**



**FIG. 8**