



US00D853392S

(12) **United States Design Patent**
Akana et al.

(10) **Patent No.:** **US D853,392 S**
(45) **Date of Patent:** **** Jul. 9, 2019**

(54) **ELECTRONIC DEVICE**

(71) Applicant: **Apple Inc.**, Cupertino, CA (US)

(72) Inventors: **Jody Akana**, San Francisco, CA (US); **Molly Anderson**, San Francisco, CA (US); **Bartley K. Andre**, Palo Alto, CA (US); **Shota Aoyagi**, San Francisco, CA (US); **Anthony Michael Ashcroft**, San Francisco, CA (US); **Marine C. Bataille**, San Francisco, CA (US); **Jeremy Bataillou**, San Francisco, CA (US); **Robert Y. Cao**, San Francisco, CA (US); **James M. Cuseo**, Los Altos, CA (US); **Daniele De Iuliis**, San Francisco, CA (US); **Markus Diebel**, San Francisco, CA (US); **Kevin Scott Fetterman**, Los Altos, CA (US); **M. Evans Hankey**, San Francisco, CA (US); **Julian Hoenig**, San Francisco, CA (US); **Richard P. Howarth**, San Francisco, CA (US); **Jonathan P. Ive**, San Francisco, CA (US); **Julian Jaede**, San Francisco, CA (US); **Duncan Robert Kerr**, San Francisco, CA (US); **Dinesh Mathew**, Fremont, CA (US); **Sabrina Paseman**, Saratoga, CA (US); **Gavin J. Reid**, Campbell, CA (US); **Peter Russell-Clarke**, San Francisco, CA (US); **Benjamin Andrew Shaffer**, San Jose, CA (US); **Mikael Silvano**, San Francisco, CA (US); **Brandon S. Smith**, Mountain View, CA (US); **Christopher J. Stringer**, Woodside, CA (US); **Joe Sung-Ho Tan**, San Francisco, CA (US); **Clement Tissandier**, San Francisco, CA (US); **Eugene Antony Whang**, San Francisco, CA (US); **Rico Zörkendörfer**, San Francisco, CA (US)

(73) Assignee: **Apple Inc.**, Cupertino, CA (US)

(**) Term: **15 Years**

(21) Appl. No.: **29/672,712**

(22) Filed: **Dec. 7, 2018**

Related U.S. Application Data

(63) Continuation of application No. 29/582,321, filed on Oct. 27, 2016.

(51) **LOC (11) CI.** **14-02**

(52) **U.S. CI.**
USPC **D14/432**

(58) **Field of Classification Search**
USPC D13/110, 112, 118, 123, 133, 146, 154, D13/156, 158–160, 173, 177, 182, 184,
(Continued)

(56) **References Cited**

U.S. PATENT DOCUMENTS

6,683,545 B2 1/2004 Strasser
D488,804 S 4/2004 Pitt et al.
(Continued)

OTHER PUBLICATIONS

U.S. Appl. No. 29/497,945, filed Jul. 30, 2014 (unpublished).

Primary Examiner — Angela J Lee

Assistant Examiner — Shawn T Gingrich

(74) *Attorney, Agent, or Firm* — Saidman DesignLaw Group, LLC

(57) **CLAIM**

The ornamental design for an electronic device, as shown and described.

DESCRIPTION

FIG. 1 is a top perspective view of an electronic device showing our new design;

FIG. 2 is a bottom perspective view thereof;

FIG. 3 is a front view thereof;

FIG. 4 is a rear view thereof;

FIG. 5 is a left side view thereof;

(Continued)

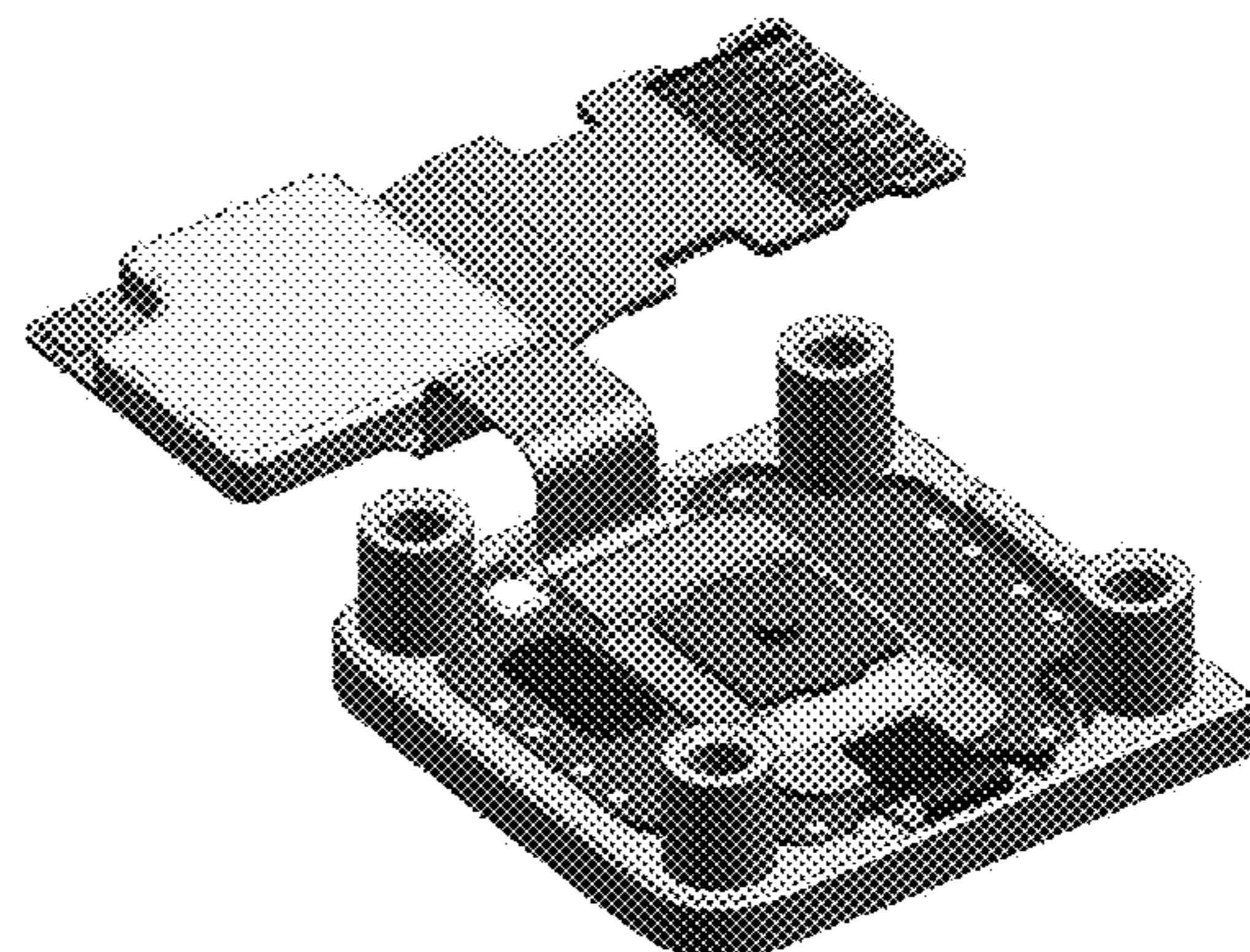
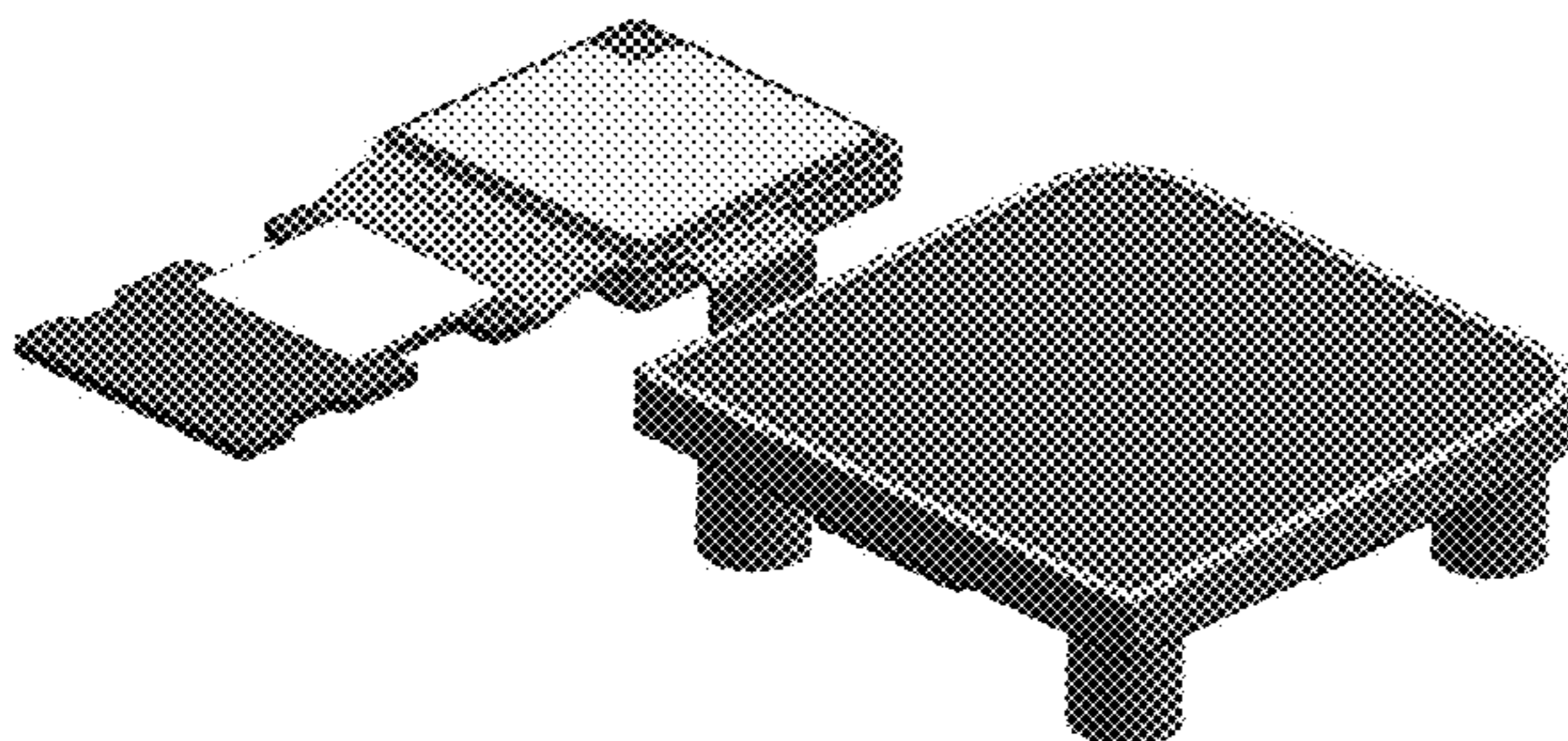


FIG. 6 is a right side view thereof;
 FIG. 7 is a top view thereof; and,
 FIG. 8 is a bottom view thereof.

1 Claim, 6 Drawing Sheets

(58) **Field of Classification Search**

USPC D13/199; D14/125, 240, 300–302,
 D14/308–314, 348, 353–358, 432, 433,
 D14/439–446, 496, 384; D10/50
 CPC G06K 9/00; G06K 9/00013; H01H 1/10;
 H01H 3/12; H01H 11/00; H01H 13/14;
 H01R 43/16; H04M 1/02; H04M 1/026;
 H05K 5/02; H05K 5/0278; A45C 11/00;
 A45C 2011/003; B60R 11/0241; B60R
 11/0252; F16M 11/00; F16M 13/00

See application file for complete search history.

(56) **References Cited**

U.S. PATENT DOCUMENTS

D514,105 S 1/2006 Ohta et al.

D514,570 S	2/2006	Ohta	
D561,782 S	2/2008	Kim	
D568,310 S	5/2008	Franck et al.	
D695,316 S	12/2013	Akana et al.	
D697,511 S	1/2014	Andre et al.	
D717,800 S	11/2014	Akana et al.	
D732,540 S	6/2015	Kang et al.	
D741,333 S	10/2015	Aoyagi et al.	
D748,062 S	1/2016	Akana et al.	
D748,621 S	2/2016	Akana et al.	
D759,656 S	6/2016	Andre et al.	
D765,084 S	8/2016	Akana et al.	
D769,876 S	10/2016	Aoyagi et al.	
D817,282 S	5/2018	Akana et al.	
9,972,454 B1	5/2018	Cohen et al.	
9,972,459 B1	5/2018	Hill et al.	
2010/0061055 A1	3/2010	Dabov et al.	
2011/0214977 A1	9/2011	Hill et al.	
2018/0075274 A1	3/2018	Cao et al.	
2018/0075275 A1	3/2018	Smith et al.	
2018/0090286 A1	3/2018	Chen et al.	
2018/0131111 A1	5/2018	Tziviskos et al.	
2018/0322326 A1*	11/2018	Li	G06F 21/32

* cited by examiner

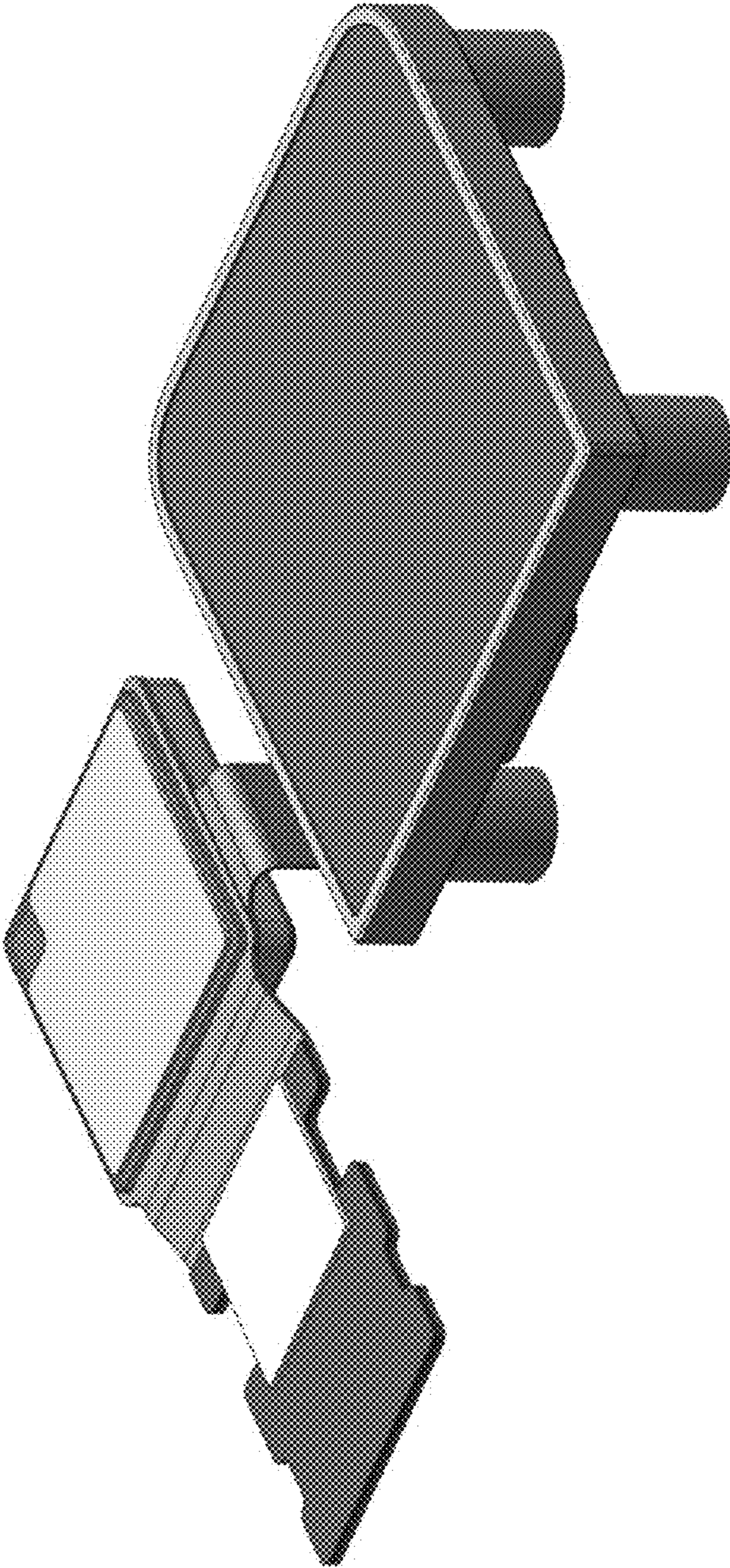


FIG. 1

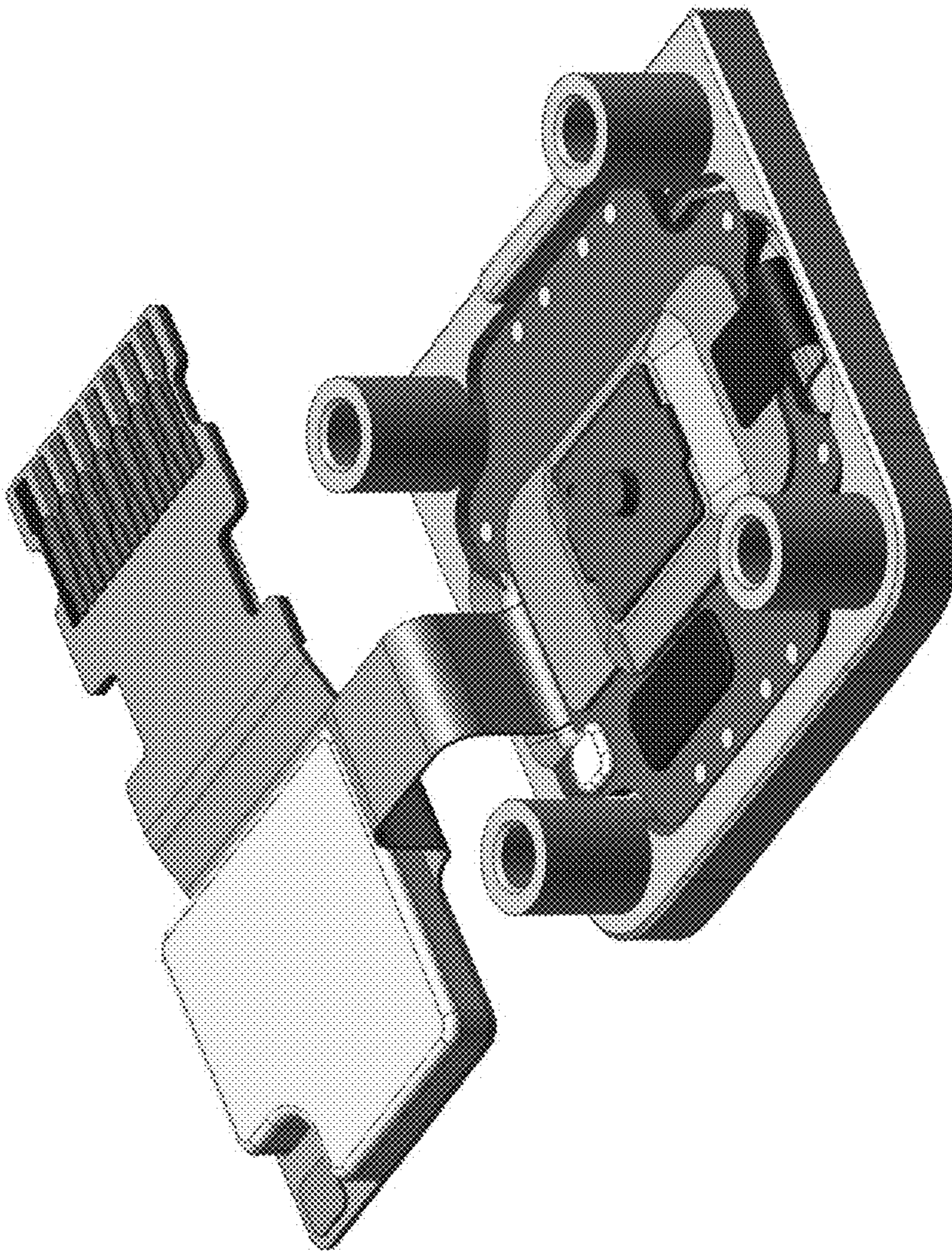


FIG. 2

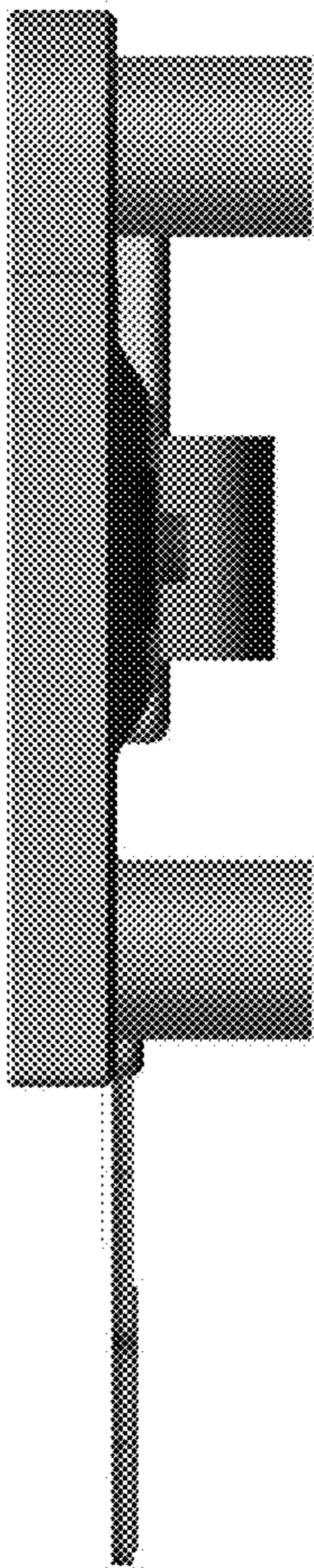


FIG. 3

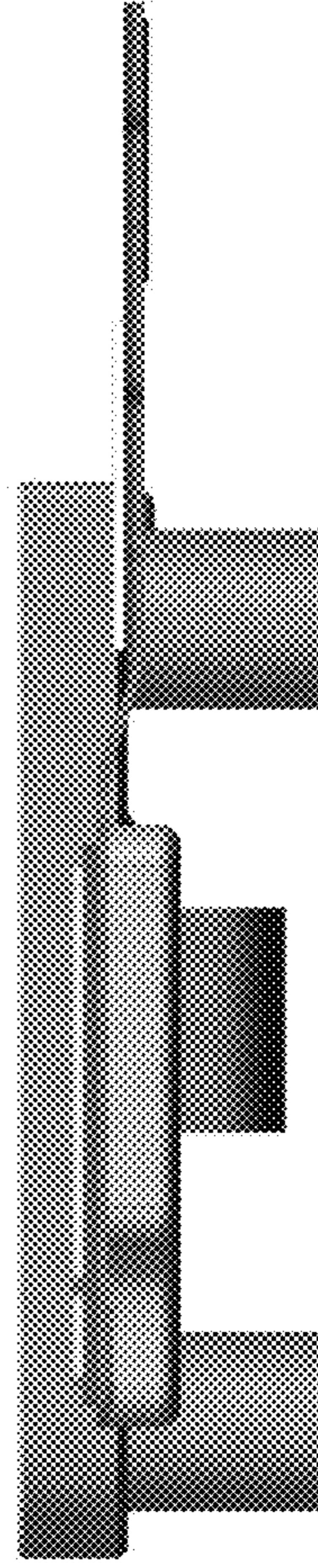


FIG. 4

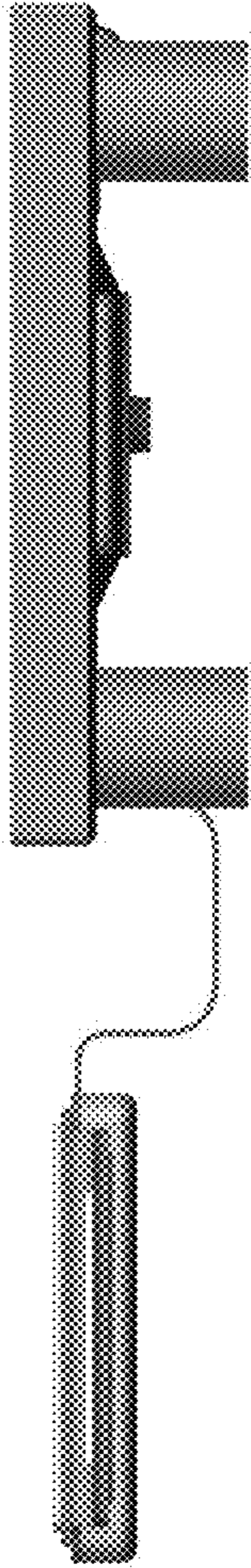


FIG. 5

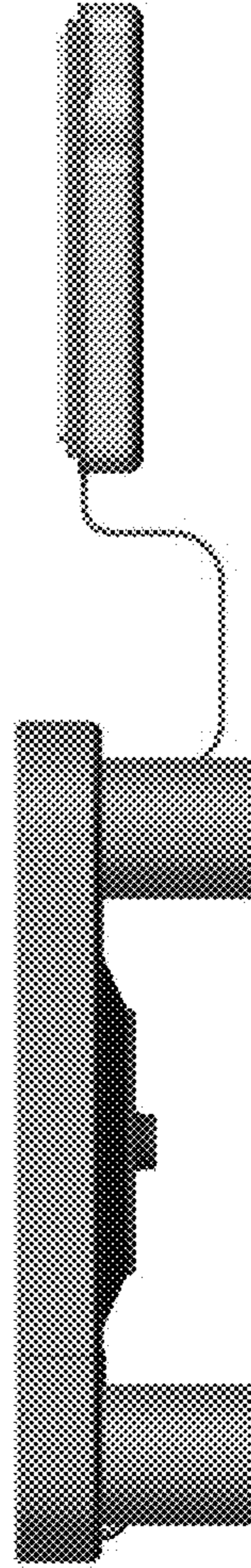


FIG. 6

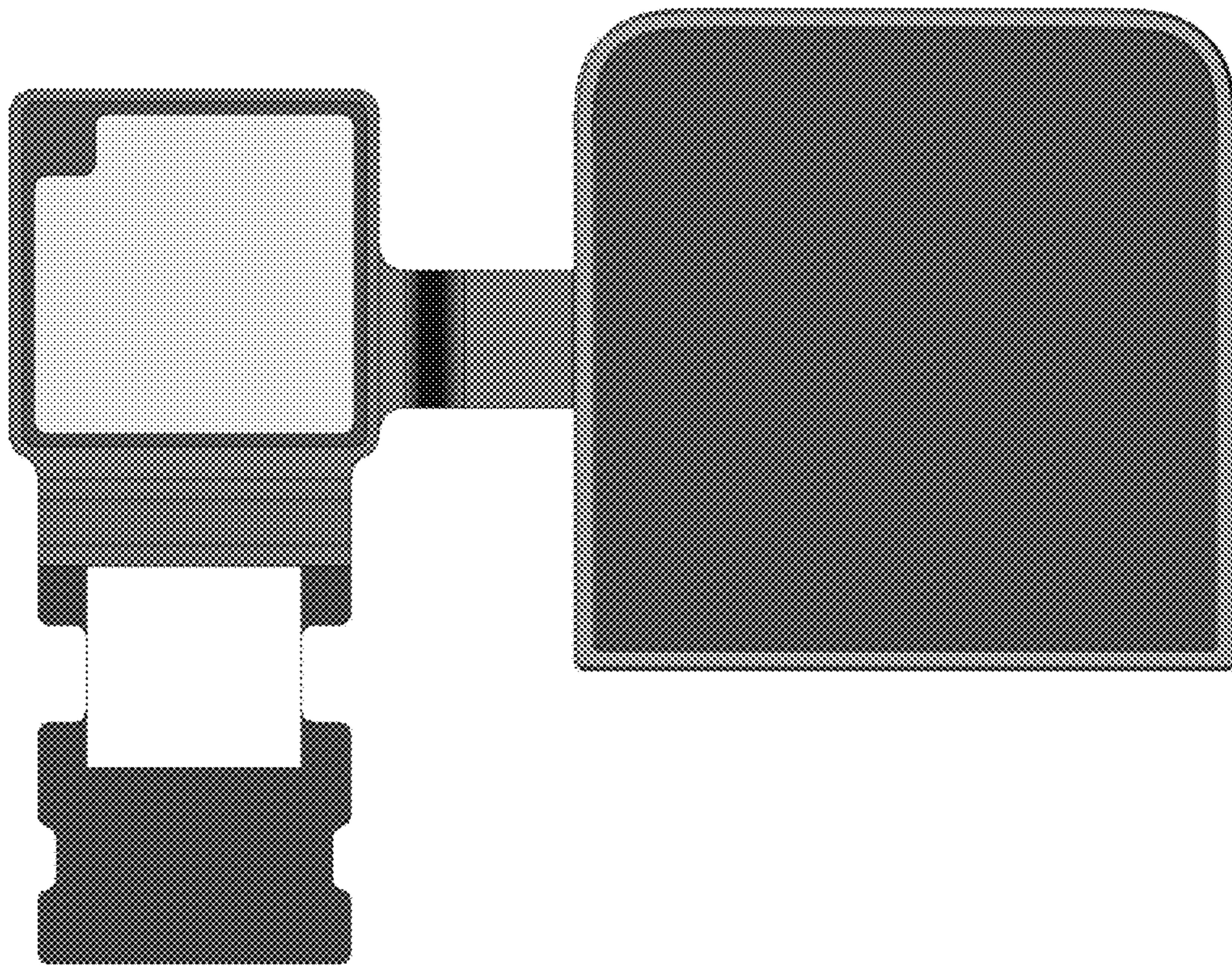


FIG. 7

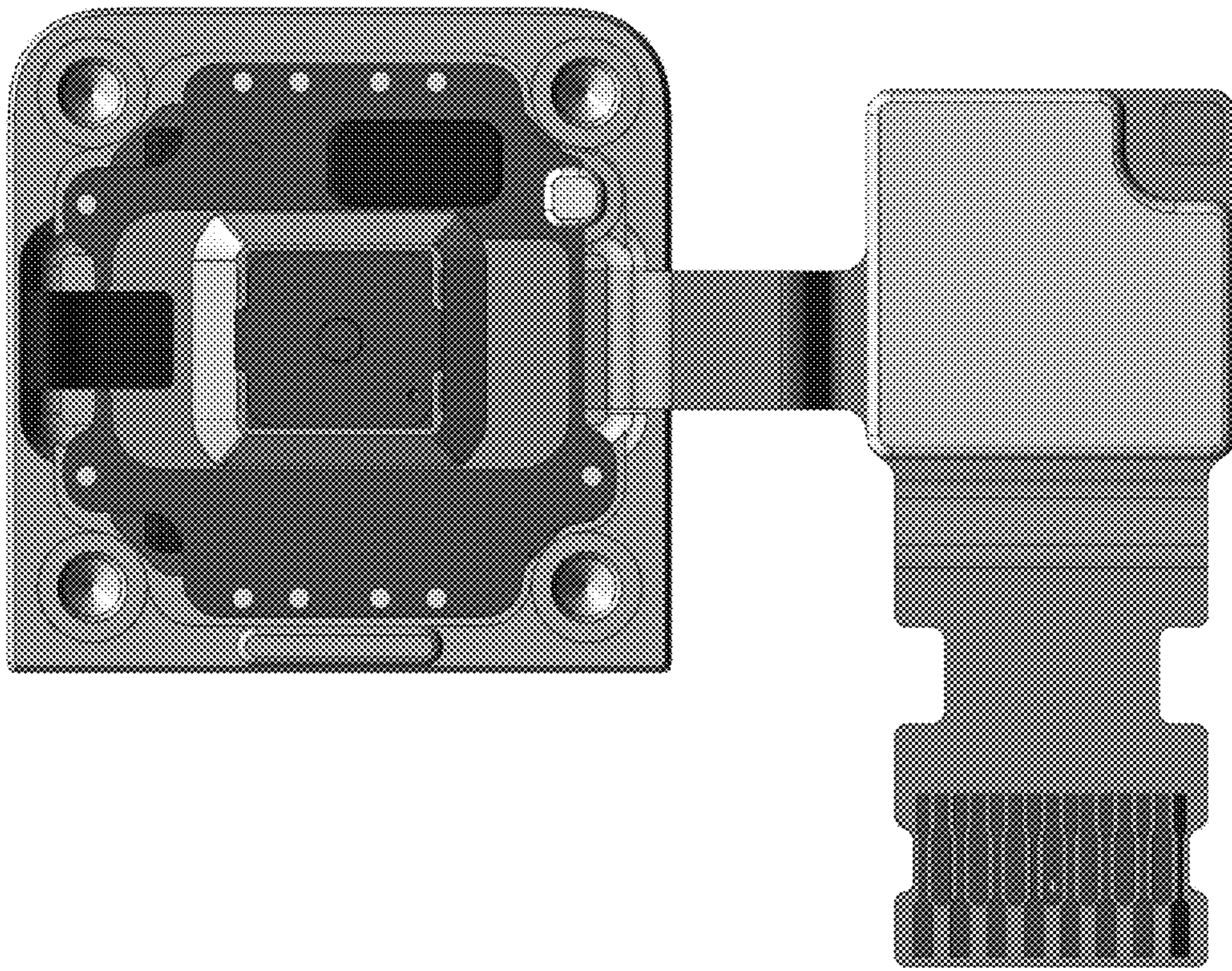


FIG. 8