



US00D853390S

(12) **United States Design Patent**
Akana et al.

(10) **Patent No.:** **US D853,390 S**
(45) **Date of Patent:** **** Jul. 9, 2019**

(54) **BACKPLATE FOR ELECTRONIC DEVICE**

(22) Filed: **Jul. 10, 2017**

(71) Applicant: **Apple Inc.**, Cupertino, CA (US)

Related U.S. Application Data

(72) Inventors: **Jody Akana**, San Francisco, CA (US); **Bartley K. Andre**, Palo Alto, CA (US); **Shota Aoyagi**, San Francisco, CA (US); **Anthony Michael Ashcroft**, San Francisco, CA (US); **Jeremy Bataillou**, San Francisco, CA (US); **Brad G. Boozer**, Cupertino, CA (US); **Makiko Kawamura Brzezinski**, San Jose, CA (US); **Daniel J. Coster**, San Francisco, CA (US); **Daniele De Iuliis**, San Francisco, CA (US); **M. Evans Hankey**, San Francisco, CA (US); **Phillip M. Hobson**, Menlo Park, CA (US); **Julian Hoenig**, San Francisco, CA (US); **Richard P. Howarth**, San Francisco, CA (US); **Jonathan P. Ive**, San Francisco, CA (US); **Eric Steven Jol**, San Jose, CA (US); **Duncan Robert Kerr**, San Francisco, CA (US); **David Nazzaro**, Groveland, MA (US); **Trevor Jordan Ness**, San Francisco, CA (US); **Marc A. Newson**, London (GB); **Matthew Dean Rohrbach**, San Francisco, CA (US); **Fletcher Rothkopf**, Los Altos, CA (US); **Peter Russell-Clarke**, San Francisco, CA (US); **Benjamin Andrew Shaffer**, San Jose, CA (US); **Mikael Silvanto**, San Francisco, CA (US); **Christopher J. Stringer**, Woodside, CA (US); **Eugene Antony Whang**, San Francisco, CA (US); **Stephen Paul Zadesky**, Portola Valley, CA (US); **Rico Zörkendörfer**, San Francisco, CA (US)

(63) Continuation of application No. 29/578,585, filed on Sep. 22, 2016, now Pat. No. Des. 791,771, which is a continuation of application No. 29/499,075, filed on Aug. 11, 2014, now Pat. No. Des. 768,634.

(51) **LOC (11) Cl.** **14-02**

(52) **U.S. Cl.**
USPC **D14/432**

(58) **Field of Classification Search**
USPC D14/300–302, 308–313, 314, 348, D14/353–355, 432, 439–446, 240; 361/679.02, 679.31, 679.5, 690, 694, 361/679.23, 801, 802; 312/332.1, 334.1; D13/162; D10/50
CPC A45C 11/00; A45C 2011/003; B60R 11/0241; B60R 11/0252; F16M 13/00; F16M 11/00
See application file for complete search history.

(73) Assignee: **Apple Inc.**, Cupertino, CA (US)

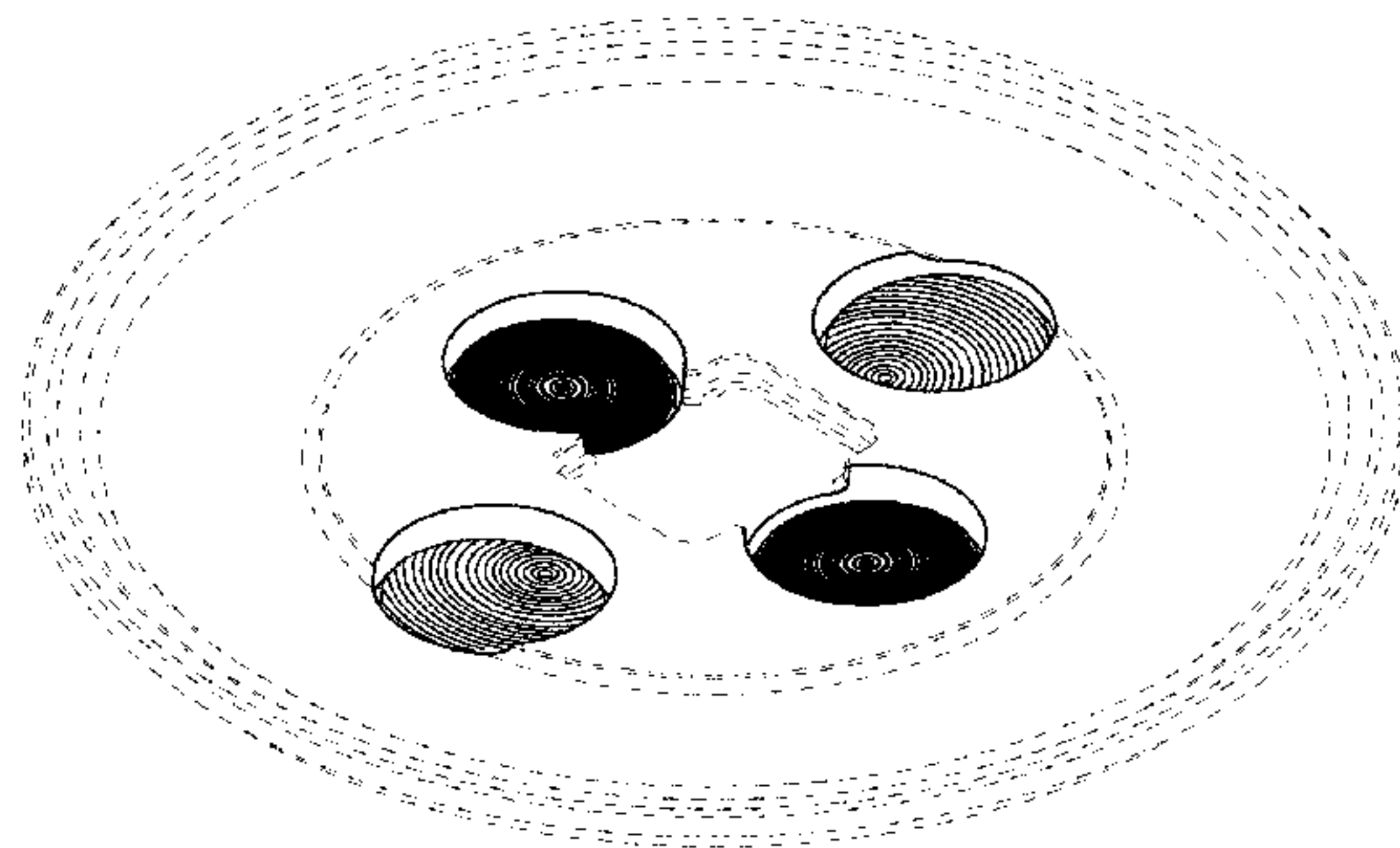
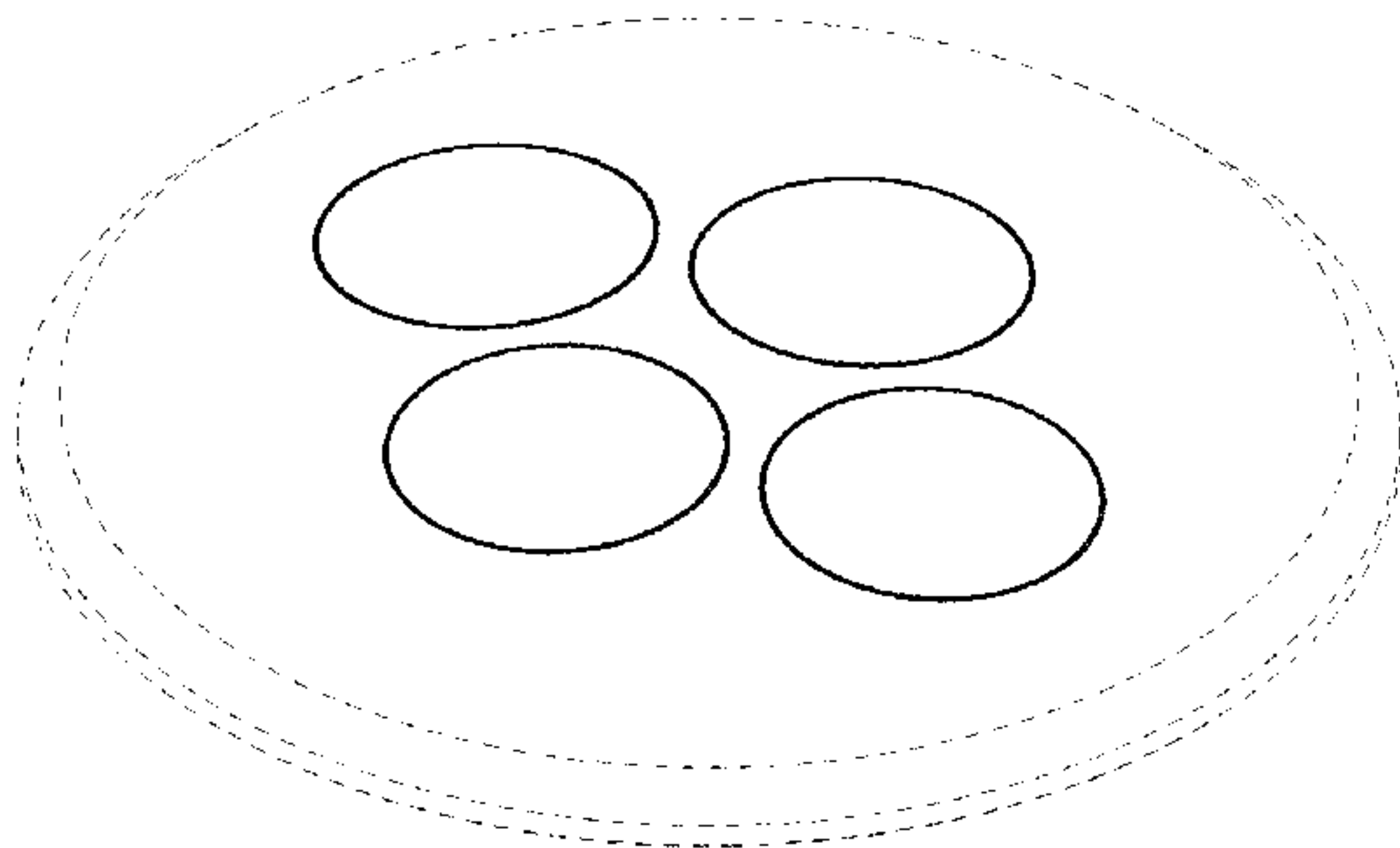
(**) Term: **15 Years**

(21) Appl. No.: **29/610,176**

(56) **References Cited**

U.S. PATENT DOCUMENTS

3,640,065	A	2/1972	Lederrey et al.
D287,471	S	12/1986	Sato et al.
5,386,933	A	2/1995	Greene et al.
D375,494	S *	11/1996	Urlik D14/484
D395,641	S	6/1998	Gaete
6,275,173	B1	8/2001	Wu
6,655,831	B1	12/2003	Ruffieux
6,683,545	B2	1/2004	Strasser
D496,589	S	9/2004	Perrenoud
D500,504	S	1/2005	Boissonneault et al.
D503,717	S	4/2005	Kawamura
6,970,157	B2	11/2005	Siddeeq
D513,195	S	12/2005	Gruosi
7,004,469	B2	2/2006	Von Goeben
D528,439	S	9/2006	Burton
D528,928	S	9/2006	Burton
7,106,197	B2	9/2006	Gaiotto et al.
D531,180	S	10/2006	Goto
D558,227	S	12/2007	Cho et al.
D572,266	S	7/2008	Anderson et al.
D574,735	S	8/2008	Landman et al.
D578,922	S	10/2008	Hoshino
D584,170	S	1/2009	Morrison



D586,823 S	2/2009	Anderson et al.	
D589,375 S	3/2009	Tang	
D596,610 S	7/2009	Hou	
D616,417 S	5/2010	Liao	
7,708,457 B2	5/2010	Girardin et al.	
D637,094 S	5/2011	Cobbett et al.	
D637,918 S	5/2011	Cobbett et al.	
D640,199 S *	6/2011	Wilson	D13/139.7
D650,706 S	12/2011	Zanella et al.	
D666,503 S	9/2012	Bulgari	
D681,483 S	5/2013	Biegert et al.	
D694,228 S	11/2013	Richter	
D694,242 S	11/2013	Cho	
D699,701 S	2/2014	Kim	
D724,103 S	3/2015	Akana et al.	
D728,624 S	5/2015	Akana et al.	
D737,156 S	8/2015	Akana et al.	
D737,157 S	8/2015	Akana et al.	
D737,158 S	8/2015	Akana et al.	
D737,159 S	8/2015	Akana et al.	
D740,750 S *	10/2015	Mayden	D13/108
D741,256 S	10/2015	Murphy-Reinhertz et al.	
D741,333 S	10/2015	Aoyagi et al.	
D741,726 S	10/2015	Akana et al.	
D744,356 S	12/2015	Akana et al.	
D745,421 S	12/2015	Akana et al.	
D746,707 S	1/2016	Akana et al.	
D746,868 S	1/2016	Akana et al.	
D751,070 S	3/2016	Akana et al.	
D752,044 S	3/2016	Akana et al.	
D756,357 S	5/2016	Akana et al.	
D758,363 S	6/2016	Akana et al.	
D759,011 S	6/2016	Akana et al.	
D759,725 S	6/2016	Akana et al.	
D762,571 S *	8/2016	Lee	D13/108
D766,752 S	9/2016	Akana et al.	
D768,634 S *	10/2016	Akana	D14/432
D771,035 S	11/2016	Akana et al.	
D771,036 S	11/2016	Akana et al.	
D772,813 S *	11/2016	Wahl	D13/108
D774,455 S	12/2016	Kim et al.	
D777,100 S	1/2017	Price	
D782,537 S *	3/2017	Akana	D14/496
D791,771 S *	7/2017	Akana	D14/432
D795,252 S *	8/2017	Chung	D14/344
D818,498 S *	5/2018	Akana	D14/496
D835,062 S *	12/2018	Langhammer	D14/203.6
2009/0134838 A1 *	5/2009	Raghuprasad	H02J 7/32 320/108
2010/0061191 A1	3/2010	Chen	

FOREIGN PATENT DOCUMENTS

DE	10229050 C1	6/2003
EP	1098231 A1	5/2001
WO	WO-DM/066491-004	3/2005
WO	WO-DM072215	9/2009
WO	WO-DM/077452-004	6/2011
WO	WO-2014135709 A2	9/2014

OTHER PUBLICATIONS

U.S. Appl. No. 29/594,336, filed Feb. 17, 2017.
 U.S. Appl. No. 29/598,182, filed Mar. 23, 2017.
 Alvarez, Edgar, “Basis Peak to get its smartwatch-like features in December,” engadget.com, < <http://www.engadget.com/2014/11/20/basis-peak-new-features/>>, dated Nov. 20, 2014, accessed Dec. 15, 2014.
 Cool Material, “Braun Square Digital Watch,” < <http://web.archive.org/web/20111125033014/http://coolmaterial.com/style/braun-square-digital-watch/>>, dated Nov. 25, 2011, accessed Dec. 18, 2014.
 Emily, “Nixon—The Newton Digital,” < <http://www.freshnessmag.com/2009/09/08/nixon-the-newton-digital/>>, freshnessmag.com, dated Sep. 8, 2009, accessed Oct. 9, 2014.
 Fitbit, “Fitbit Surge™ Fitness Super Watch” < <https://www.fitbit.com/surge>>, accessed Dec. 15, 2014.

geekbuying.com, “Makibes unisex red led digital wrist watch with square case silicone watchband —white,” < <http://www.geekbuying.com/item/Unisex-Red-LED-Digital-Wrist-Watch-with-Square-Case-Silicone-Watchband---White-326443.html>>, accessed Oct. 9, 2014.
 Hodinkee.com, “Apple iPod Nano Now Available With Mickey Mouse Dial, Also Cheesy, Mechanically Inaccurate Open-Worked Dial,” < <http://web.archive.org/web/20111006043916/http://www.hodinkee.com/blog/2011/10/5/apple-ipod-nano-now-available-with-mickey-mouse-dial-also-ch.html>>, dated Oct. 6, 2011, accessed Dec. 18, 2014.
 Homego, “M6 Silver Smart Watch Cell Phone 1.54 inch Bluetooth 3.0 Dialer Outdoor Sports Pedometer,” amazon.com, < <http://www.amazon.com/Silver-Bluetooth-Dialer-Outdoor-Pedometer/dp/B00MQTBGK6>>, accessed Dec. 15, 2014.
 Ikepod, “Original Ikepod Watch With GMT—Marc Newson Design,” Watchbox.be, < <http://www.watchbox.be/prod/Others-Watches/Marc%20Newson%20Design/item7165.htm#.VJLm2fAo5D8>>, accessed Dec. 17, 2014.
 LG Life’s Good, “LG G Watch (W100),” < <http://www.lg.com/us/smart-watches/lg-W100-g-watch>>, accessed Dec. 18, 2014.
 Metawatch, “Frame—Black (MW3005),” < <http://meta.watch/collections/smartwatch-all/products/frame-ss-black-leather>>, accessed Dec. 15, 2014.
 Omate, “Omate TrueSmart: Water-resistant standalone Smartwatch 2.0,” < <http://www.kickstarter.com/projects/omate/omate-truesmart-water-resistant-standalone-smartwa>>, dated Aug. 21, 2013, accessed Oct. 8, 2014.
 Omate, “The TrueSmart™ is the world’s first standalone smartwatch 2.0 running on top of Android and OUI 2.0,” < <http://www.omate.com/product.html>>, accessed Dec. 15, 2014.
 Pebble, “Pebble Smartwatch,” getpebble.com, < <https://getpebble.com/checkout>>, accessed Dec. 15, 2014.
 Samsung, “Samsung Gear™ 2 Charcoal Black SM-R3800VSAXAR,” < <http://www.samsung.com/us/mobile/wearable-tech/SM-R3800VSAXAR>>, accessed Dec. 15, 2014.
 Samsung, “Samsung Gear S™, (Sprint), Black SM-R750PZKASPR,” < <http://www.samsung.com/us/mobile/wearable-tech/SM-R750PZKASPR>>, accessed Dec. 15, 2014.
 Samsung, “Galaxy Gear™ Live, Black SM-R3820ZKAXAR,” < <http://www.samsung.com/us/mobile/wearable-tech/SM-R3820ZKAXAR>>, accessed Dec. 15, 2014.
 Sony, “SmartWatch,” < <http://www.sonymobile.com/us/products/accessories/smartwatch/>>, accessed Dec. 15, 2014.
 Sony, “SmartWatch 3 SWR50,” < <http://www.sonymobile.com/us/products/smartwear/smartwatch-3-swr50/>>, accessed Dec. 15, 2014.
 Stables, James, “Clevercare smartwatch aims to help Alzheimer’s suffers and carers: Revamped Sony SmartWatch 2 designed for users that need care,” Wearable News, < <http://www.wearable.com/wearable-tech/clevercare-smartwatch-aims-to-help-alzheimers-suffers-and-carers-585>>, dated Dec. 15, 2014.
 Team Luxe, “Collector’s Edition: Hermes Carre H Watch,” Luxpresso, < <http://luxpresso.com/news-couture/collectors-edition-hermes-carre-h-watch/2814>>, dated Jan. 10, 2011, accessed Dec. 18, 2014.
 Ted Baker, “Ted Baker Men’s TE1054 Time Flies Contemporary Square Digital Case Watch ,” < <http://www.amazon.com/Ted-Baker-TE1054-Contemporary-Digital/dp/B0045CRTYO%3FSubscriptionId%3DAKIAJ3U4YRIBWCGGKZ2A%26tag%3Dfrases365-20%26linkCode%3Dsp1%26camp%3D2025%26creative%3D165953%26creativeASIN%3DB0045CRTYO>>, accessed Oct. 9, 2014.
 Velazco, Chris, “ASUS ZenWatch review: subtle and stylish, with a few shortcomings,” Engadget.com, < <http://www.engadget.com/2014/12/11/asus-zenwatch-review/>>, dated Dec. 11, 2014, accessed Dec. 15, 2014.
 Watches Infoniac.com, “Hermes Carre H Watch—Extremely Contemporary Design,” < <http://watches.infoniac.com/carre-h-watch-hermes.html>>, dated Aug. 13, 2010, accessed Dec. 18, 2014.
 Watchismo, “Braun BN0042 Black Date Leather,” < <http://web.archive.org/web/20130815073830/http://www.watchismo.com/braun-bn0042bkbk.aspx>>, dated Aug. 15, 2013, accessed Dec. 18, 2014.

* cited by examiner

Primary Examiner — Austin Murphy
(74) *Attorney, Agent, or Firm* — Sterne, Kessler,
Goldstein & Fox P.L.L.C.

(57) **CLAIM**

The ornamental design for a backplate for electronic device,
as shown.

DESCRIPTION

FIG. 1 is a front perspective view of a backplate for
electronic device showing the claimed design;

FIG. 2 is a rear perspective view thereof;

FIG. 3 is a front view thereof;

FIG. 4 is a rear view thereof;

FIG. 5 is a right side view thereof;

FIG. 6 is a left side view thereof;

FIG. 7 is a top view thereof; and,

FIG. 8 is a bottom view thereof.

The broken lines in the figures show portions of the back-
plate for electronic device that form no part of the claimed
design.

1 Claim, 5 Drawing Sheets

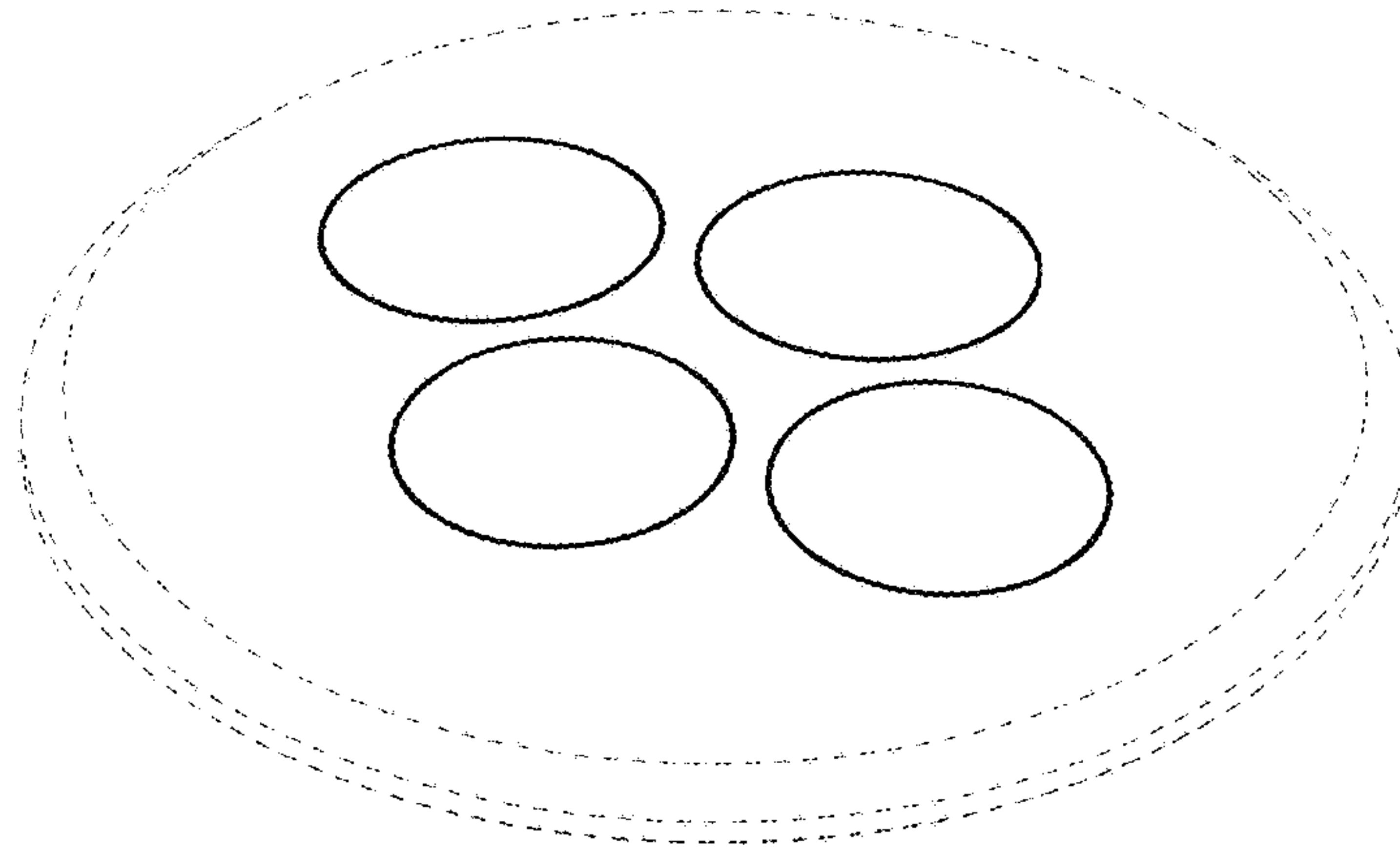


FIG. 1

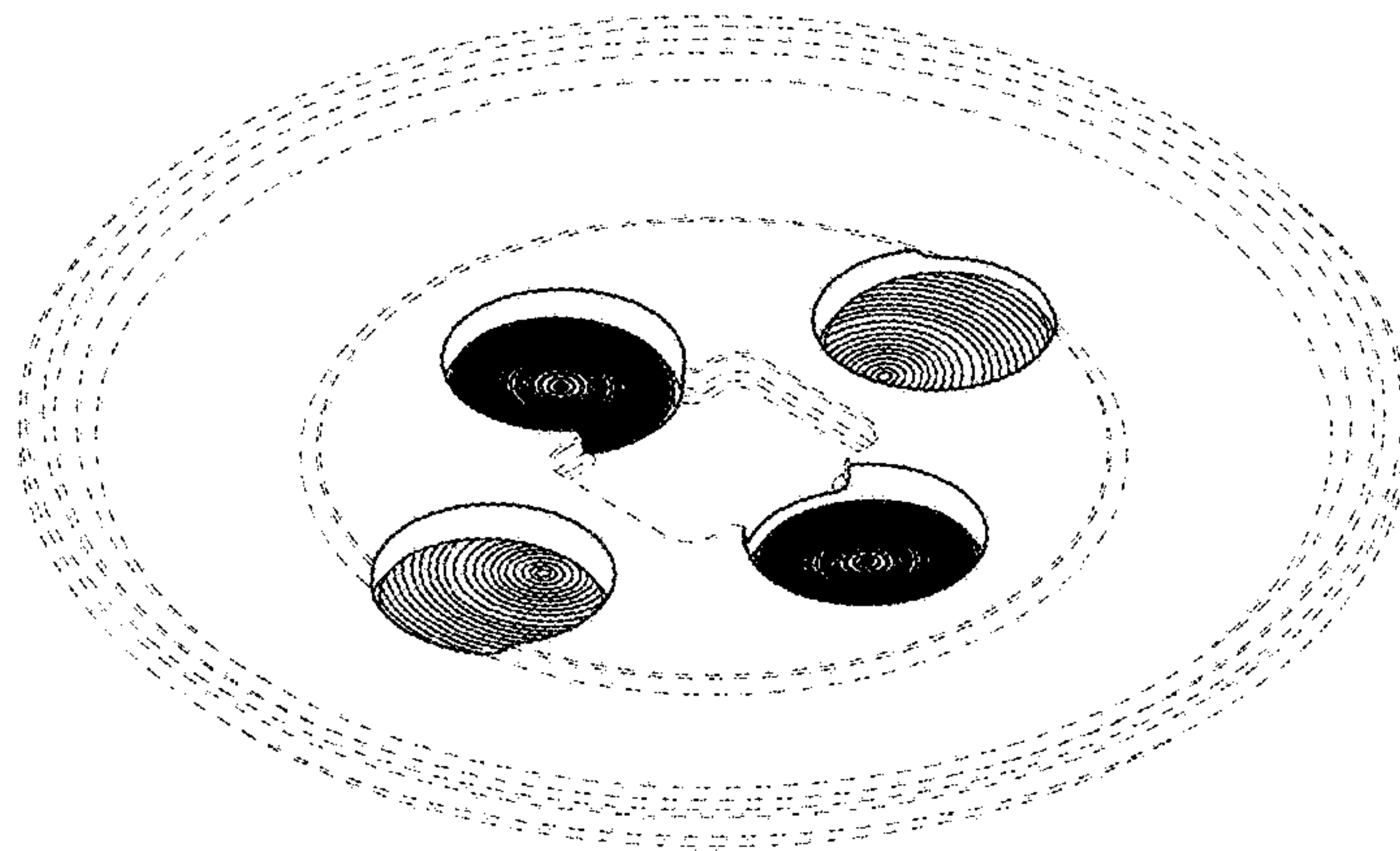


FIG. 2

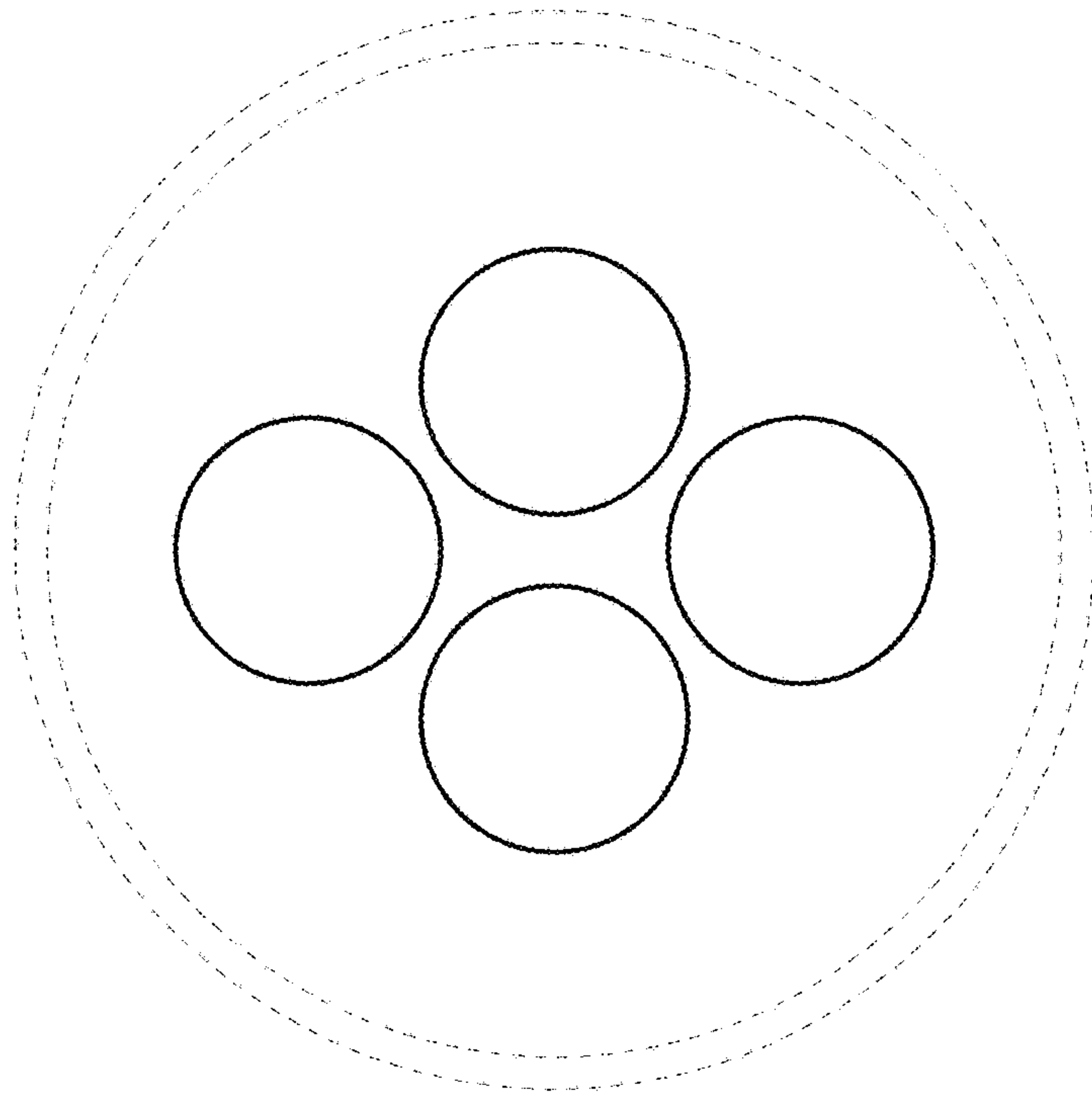


FIG. 3

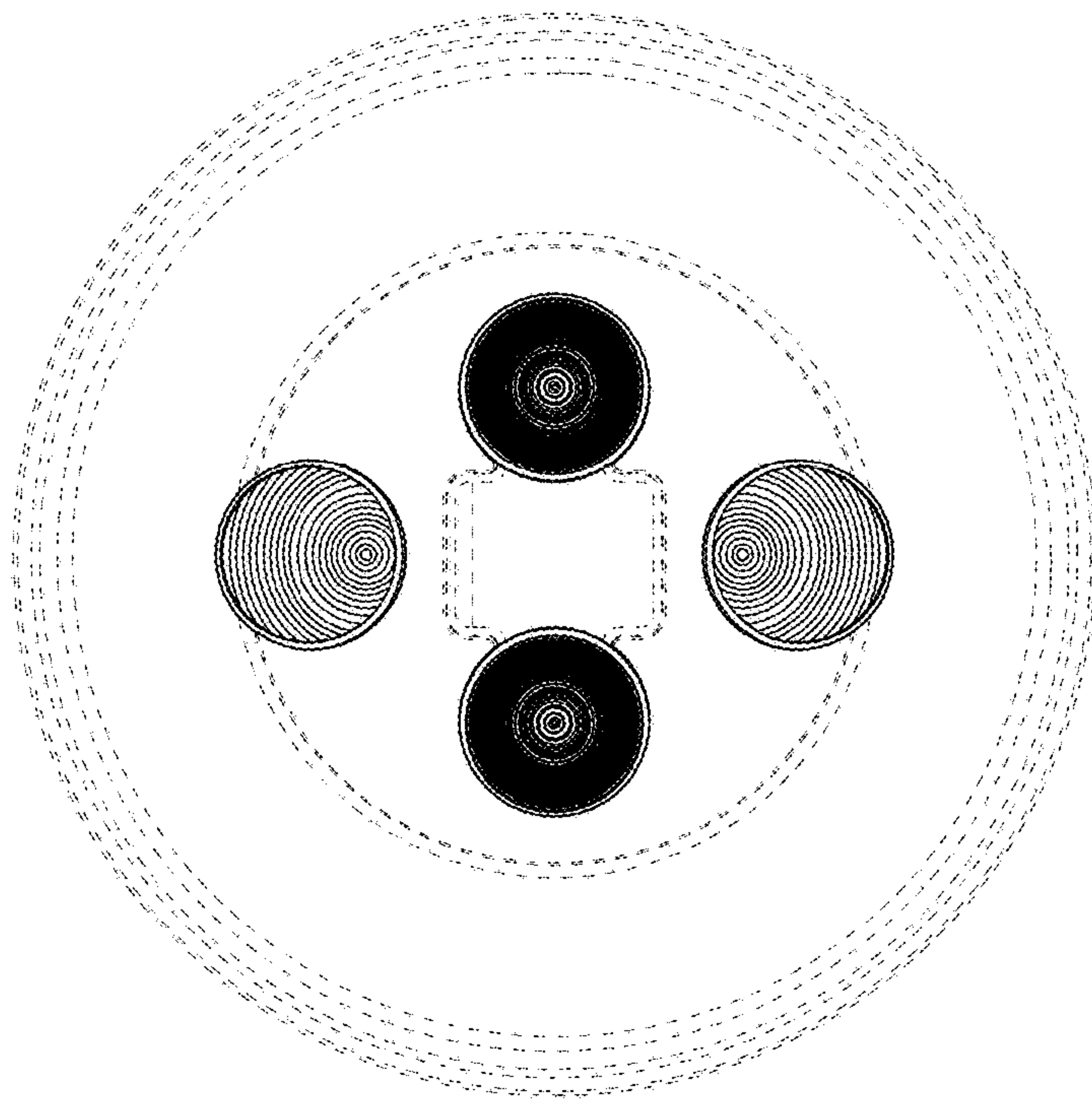


FIG. 4

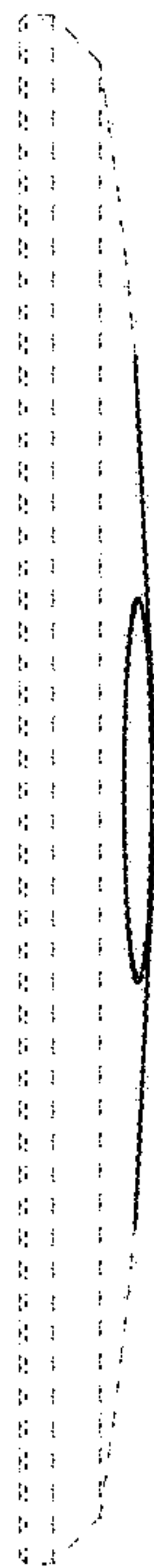


FIG. 5

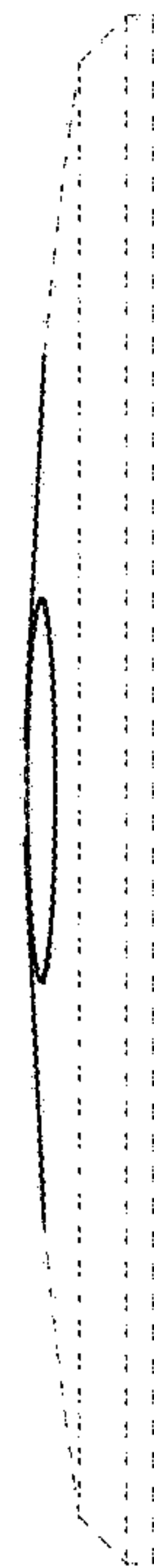


FIG. 6

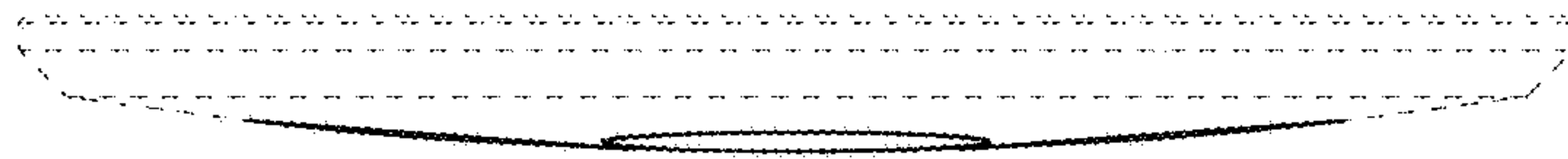


FIG. 7

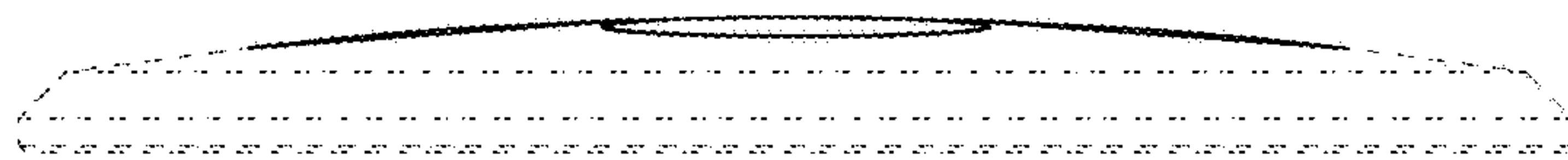


FIG. 8