



US00D853386S

(12) **United States Design Patent**
Kujawski et al.

(10) **Patent No.:** **US D853,386 S**

(45) **Date of Patent:** **** Jul. 9, 2019**

- (54) **ELECTRONIC MOUSE**
- (71) Applicant: **Microsoft Corporation**, Redmond, WA (US)
- (72) Inventors: **Christopher Kujawski**, Seattle, WA (US); **Simon Cameron Dearsley**, Bellevue, WA (US); **Gregory Jones**, Seattle, WA (US)
- (73) Assignee: **Microsoft Corporation**, Redmond, WA (US)
- (**) Term: **15 Years**
- (21) Appl. No.: **29/621,899**
- (22) Filed: **Oct. 12, 2017**
- (51) **LOC (11) Cl.** **14-02**
- (52) **U.S. Cl.**
USPC **D14/409**
- (58) **Field of Classification Search**
USPC D14/402-411, 356, 388, 389, 383-385, D14/417, 426; 345/156-167; 463/36-38; 358/471, 473; 273/148 B
CPC G06F 3/03543; G06F 2203/0333; G06F 3/039; G06F 3/038; G06F 2203/0384
See application file for complete search history.

- (56) **References Cited**
U.S. PATENT DOCUMENTS
- D446,211 S 8/2001 Han et al.
- D450,697 S 11/2001 Fisher et al.
- D450,699 S 11/2001 Fisher et al.
- D487,895 S 3/2004 Fisher et al.
- D488,157 S 4/2004 Fisher
- D488,474 S 4/2004 Fisher et al.
- D491,948 S 6/2004 Fisher
- D540,324 S 4/2007 Fisher
- D540,801 S 4/2007 Chatterjee et al.
- D544,483 S 6/2007 Fisher et al.

- D544,863 S 6/2007 Chatterjee et al.
- D560,664 S 1/2008 Chatterjee
- D591,293 S 4/2009 Manalo
- D597,546 S 8/2009 Kujawski et al.
- D611,475 S 3/2010 Kujawski et al.
- D618,685 S * 6/2010 Haase D14/409
- D638,428 S 5/2011 Kujawski et al.
- D665,392 S * 8/2012 Jost D14/409
- D681,039 S * 4/2013 Altaai D14/409
- D688,245 S * 8/2013 Guerra D14/409
- D688,664 S * 8/2013 Guerra D14/409
- D739,406 S * 9/2015 Jost D14/409
- D742,879 S * 11/2015 Helwig D14/409
- D744,485 S * 12/2015 Young D14/409
- D745,870 S * 12/2015 Jost D14/409
- D749,076 S * 2/2016 Helwig D14/409
- D762,646 S * 8/2016 Chong D14/409
- D792,882 S * 7/2017 Helwig D14/402
- D794,638 S * 8/2017 Zheng D14/409
- D816,084 S * 4/2018 Loughnane D14/409

(Continued)

Primary Examiner — Austin Murphy

(74) *Attorney, Agent, or Firm* — Banner & Witcoff, Ltd.

(57) **CLAIM**

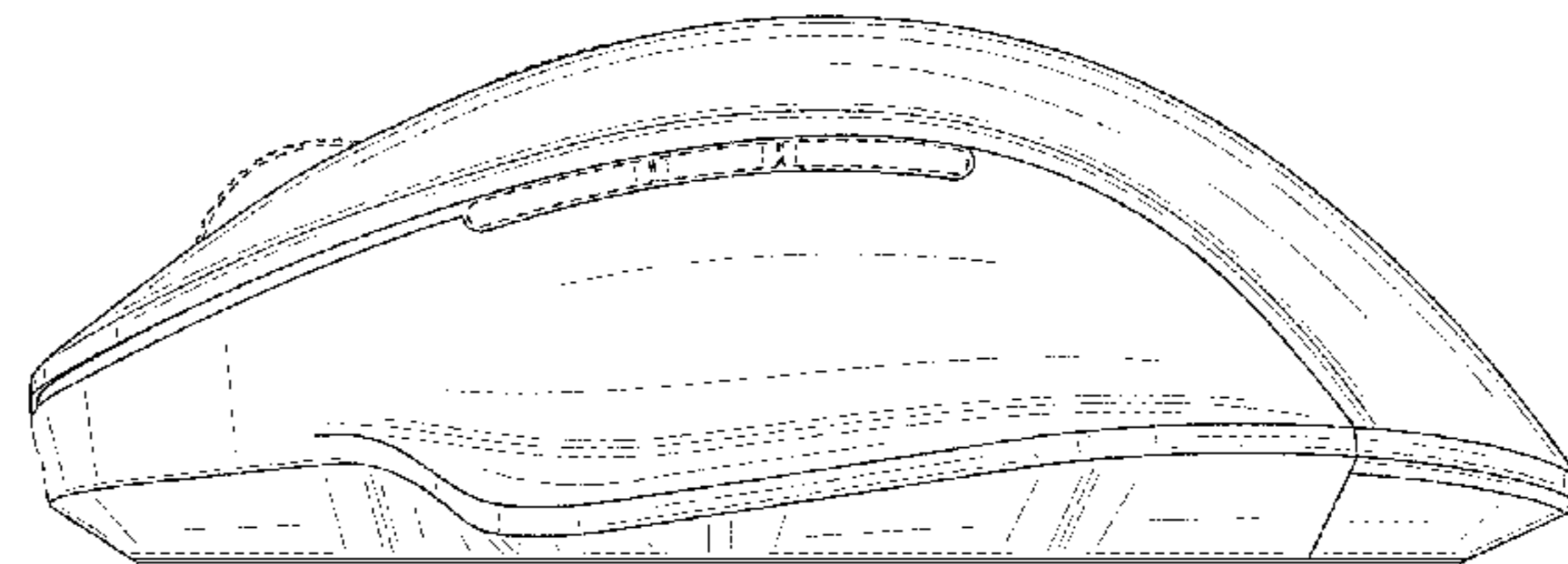
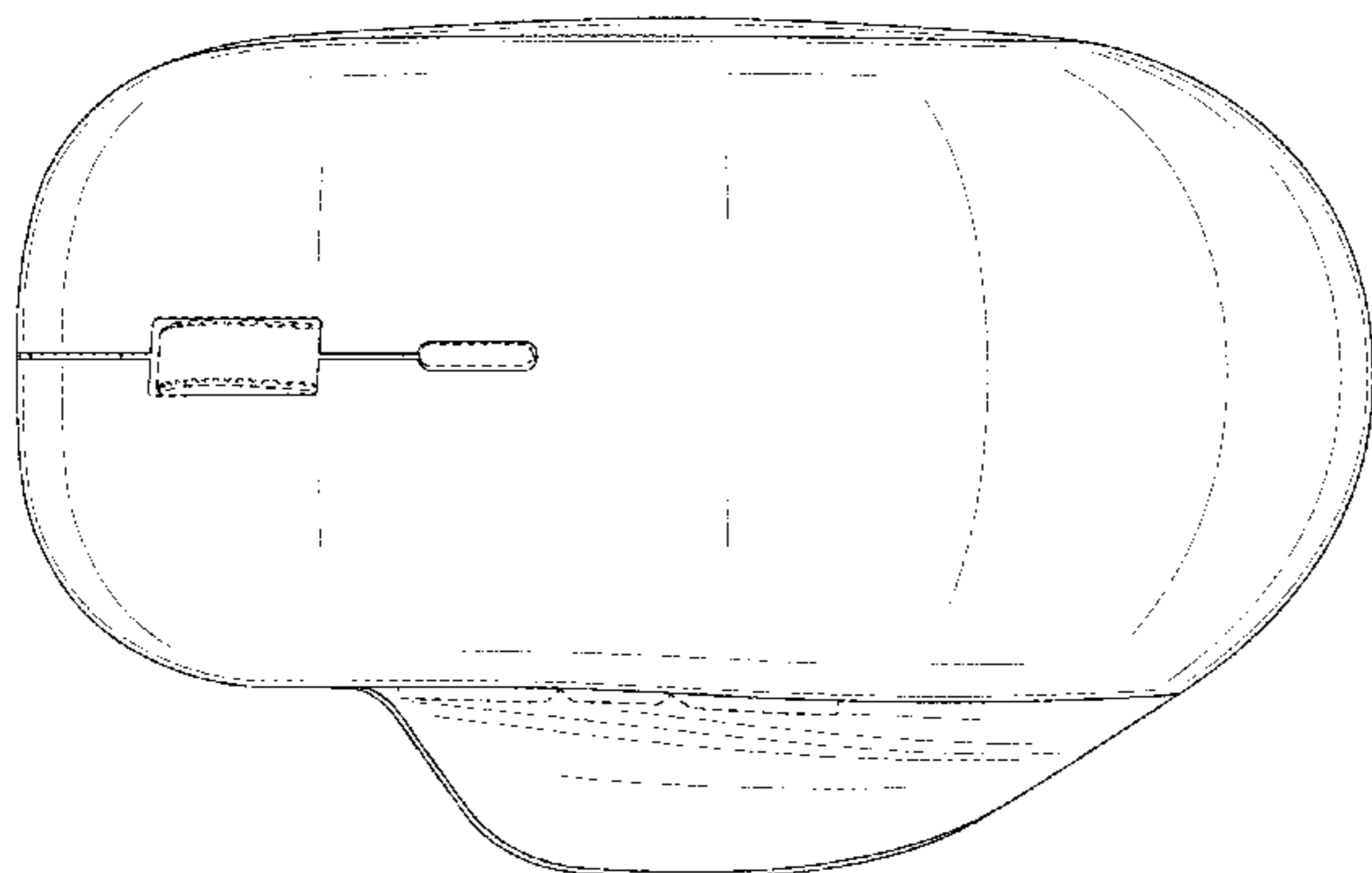
The ornamental design for an electronic mouse, as shown and described.

DESCRIPTION

FIG. 1 is a front perspective view of an electronic mouse showing our new design;
 FIG. 2 is a top view thereof;
 FIG. 3 is a bottom view thereof;
 FIG. 4 is a right side view thereof;
 FIG. 5 is a left side view thereof;
 FIG. 6 is a front view thereof; and,
 FIG. 7 is a rear view thereof.

The broken line showing of the remainder of the electronic mouse represents unclaimed environmental subject matter and forms no part of the claimed design.

1 Claim, 7 Drawing Sheets



(56)

References Cited

U.S. PATENT DOCUMENTS

D821,400 S * 6/2018 Pang D14/409
D823,305 S * 7/2018 Ang D14/409
D831,650 S * 10/2018 Lu D14/402

* cited by examiner

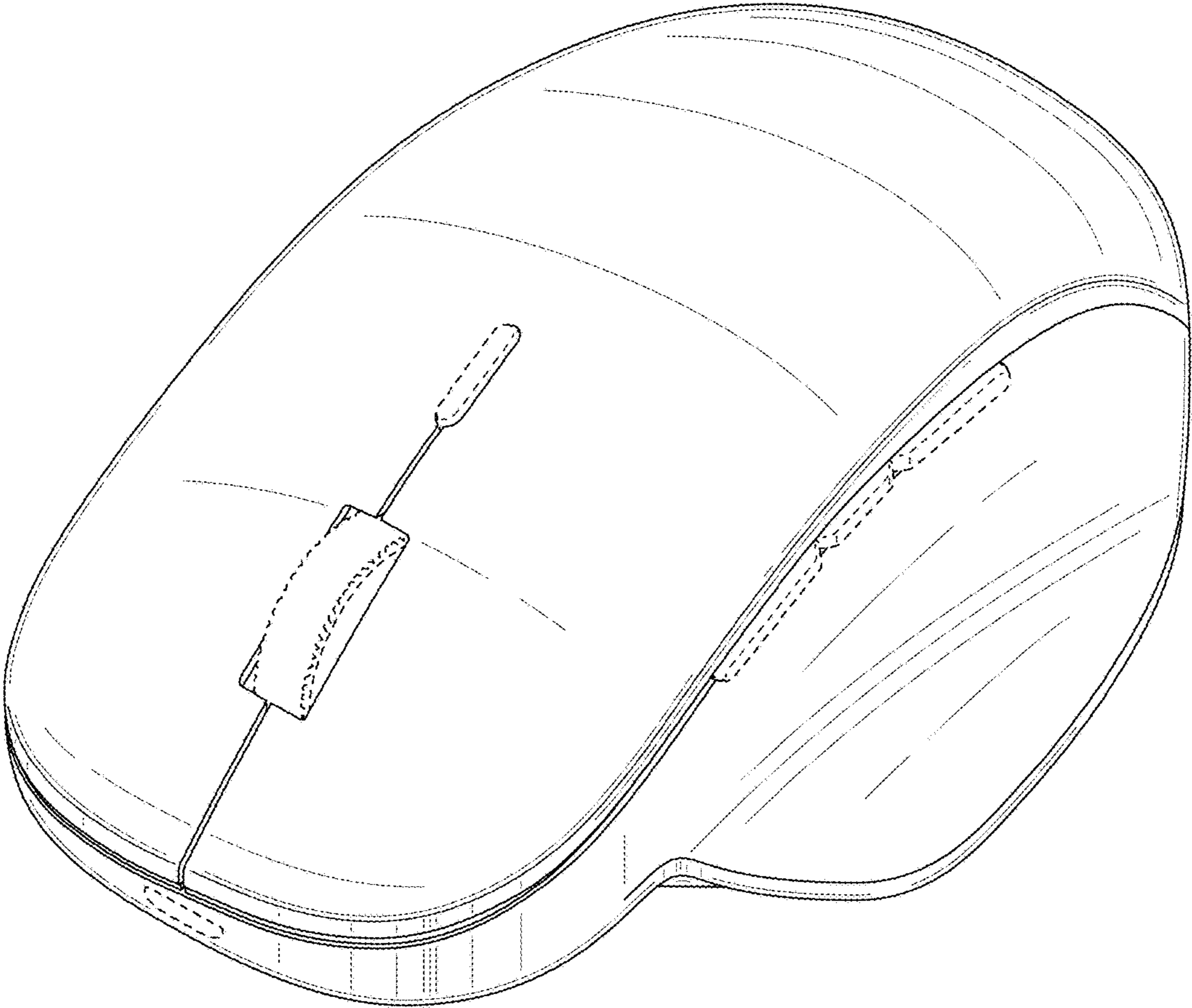


FIG. 1

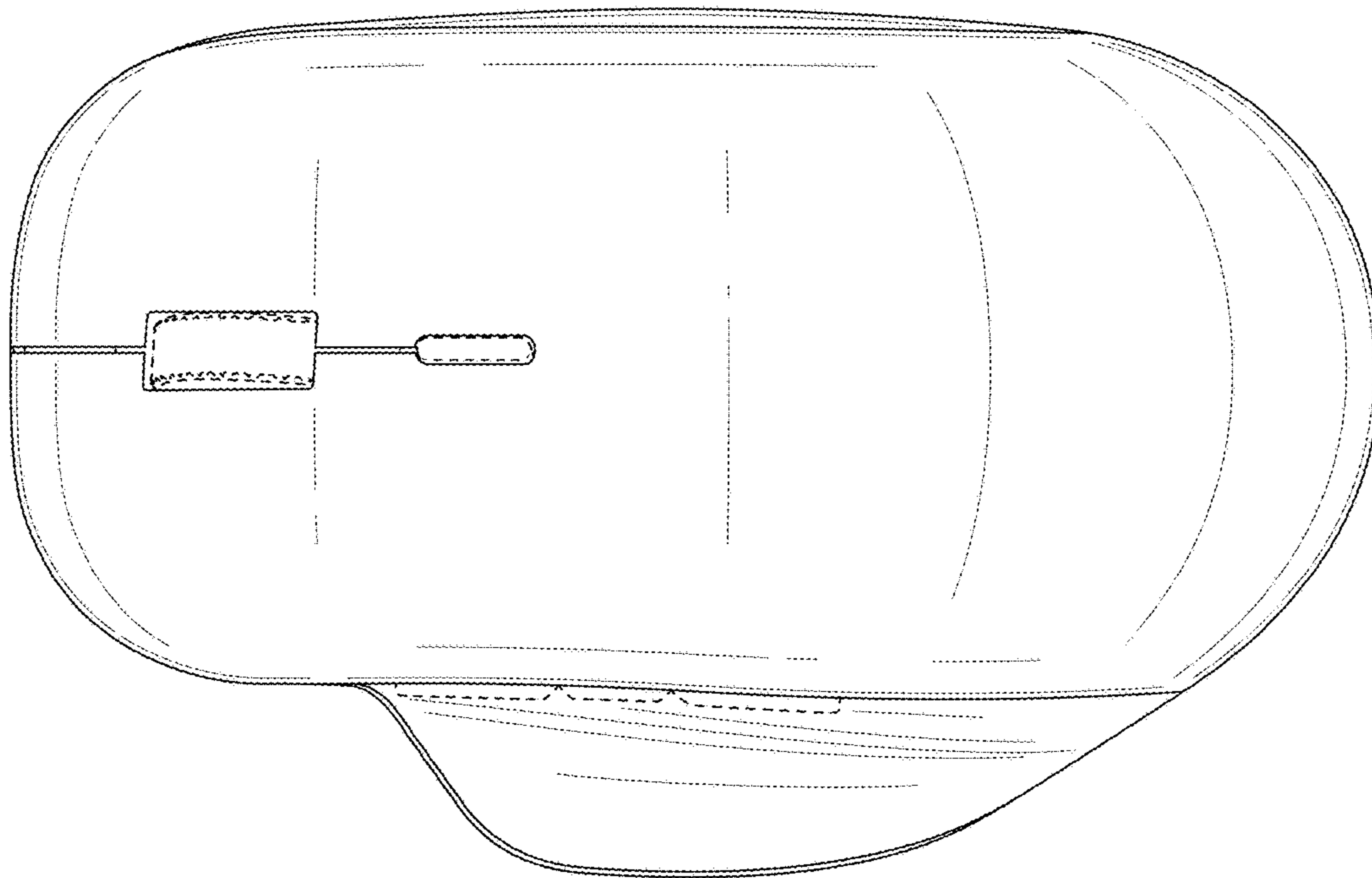


FIG. 2

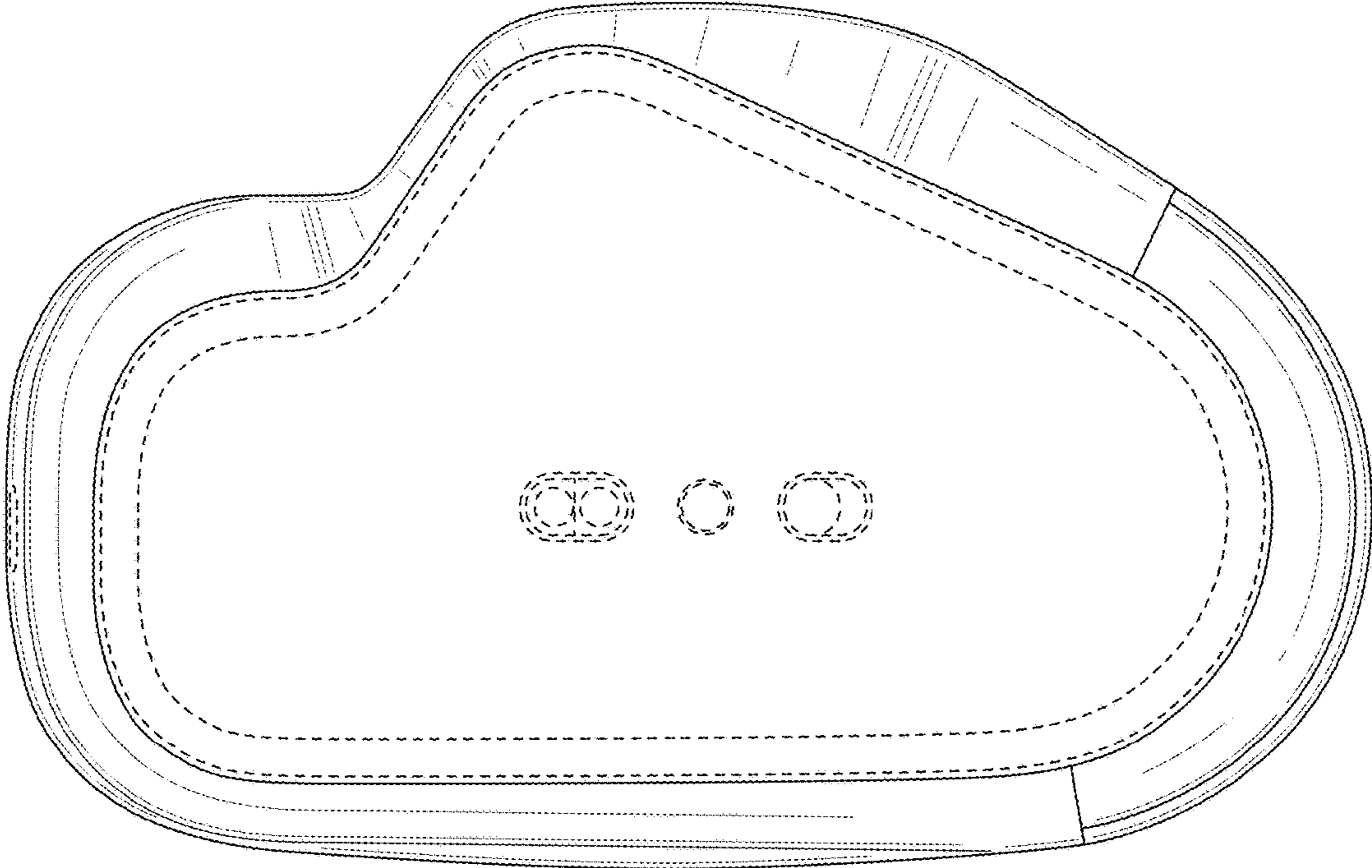


FIG. 3

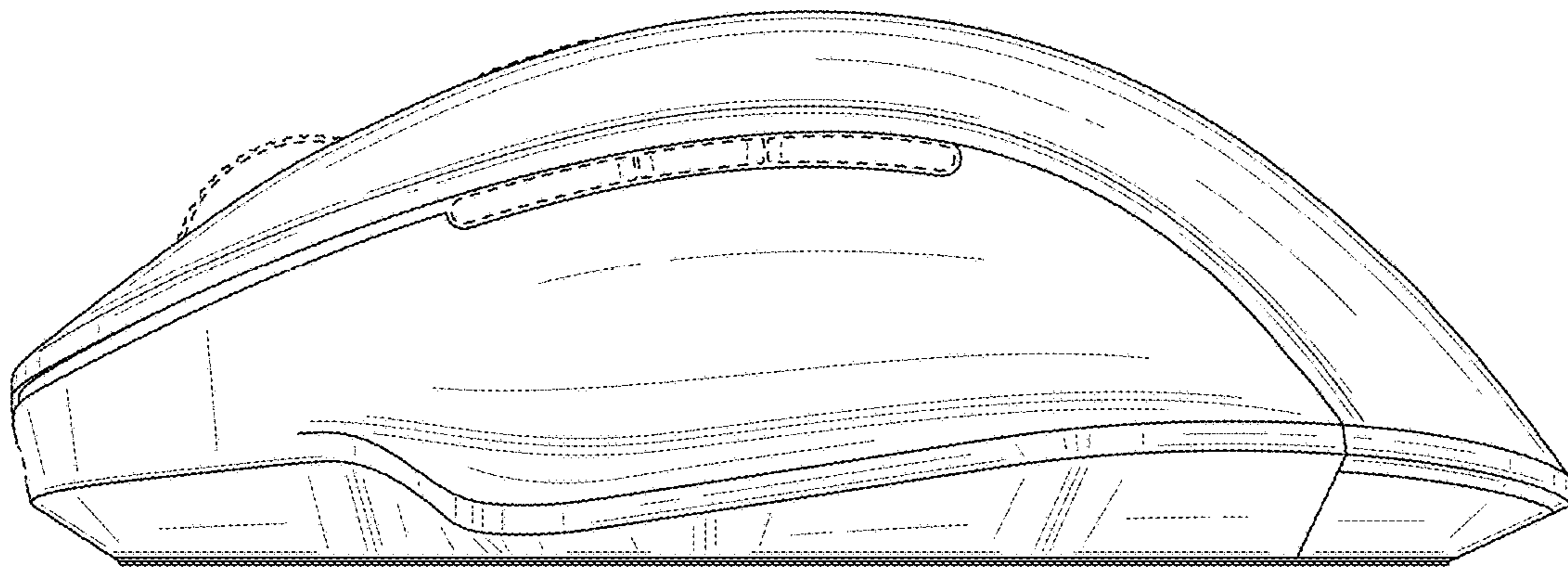


FIG. 4

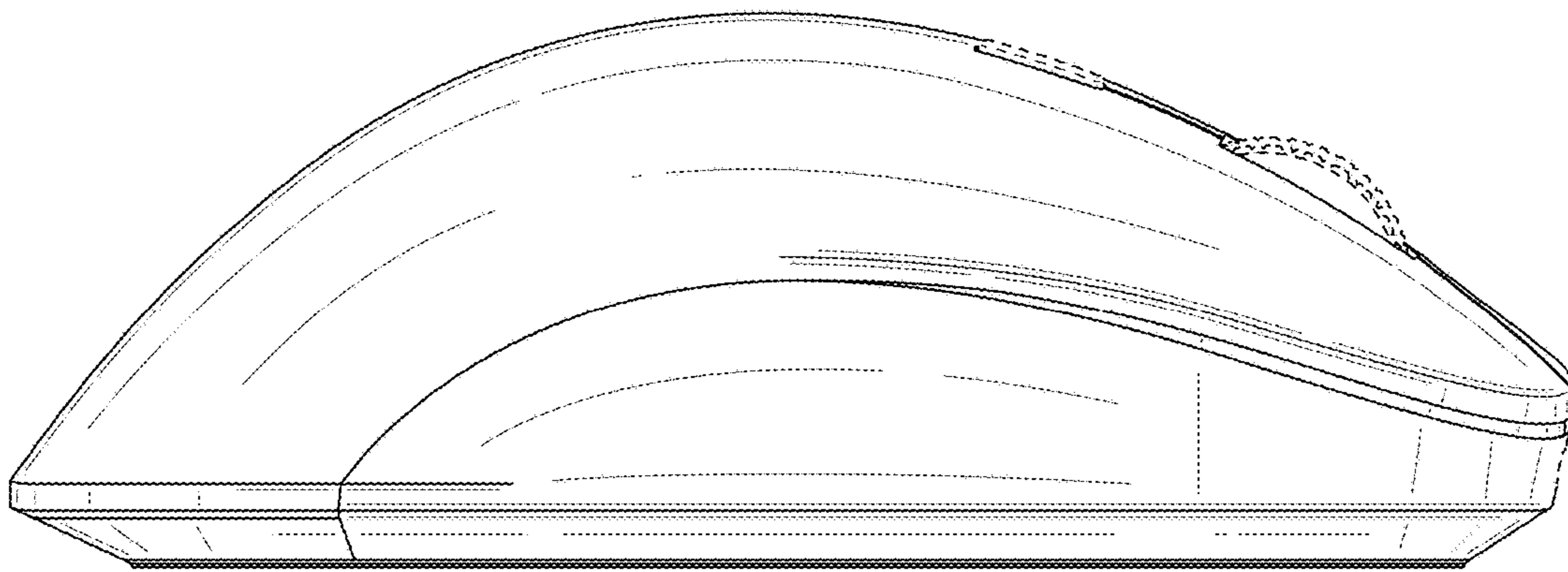


FIG. 5

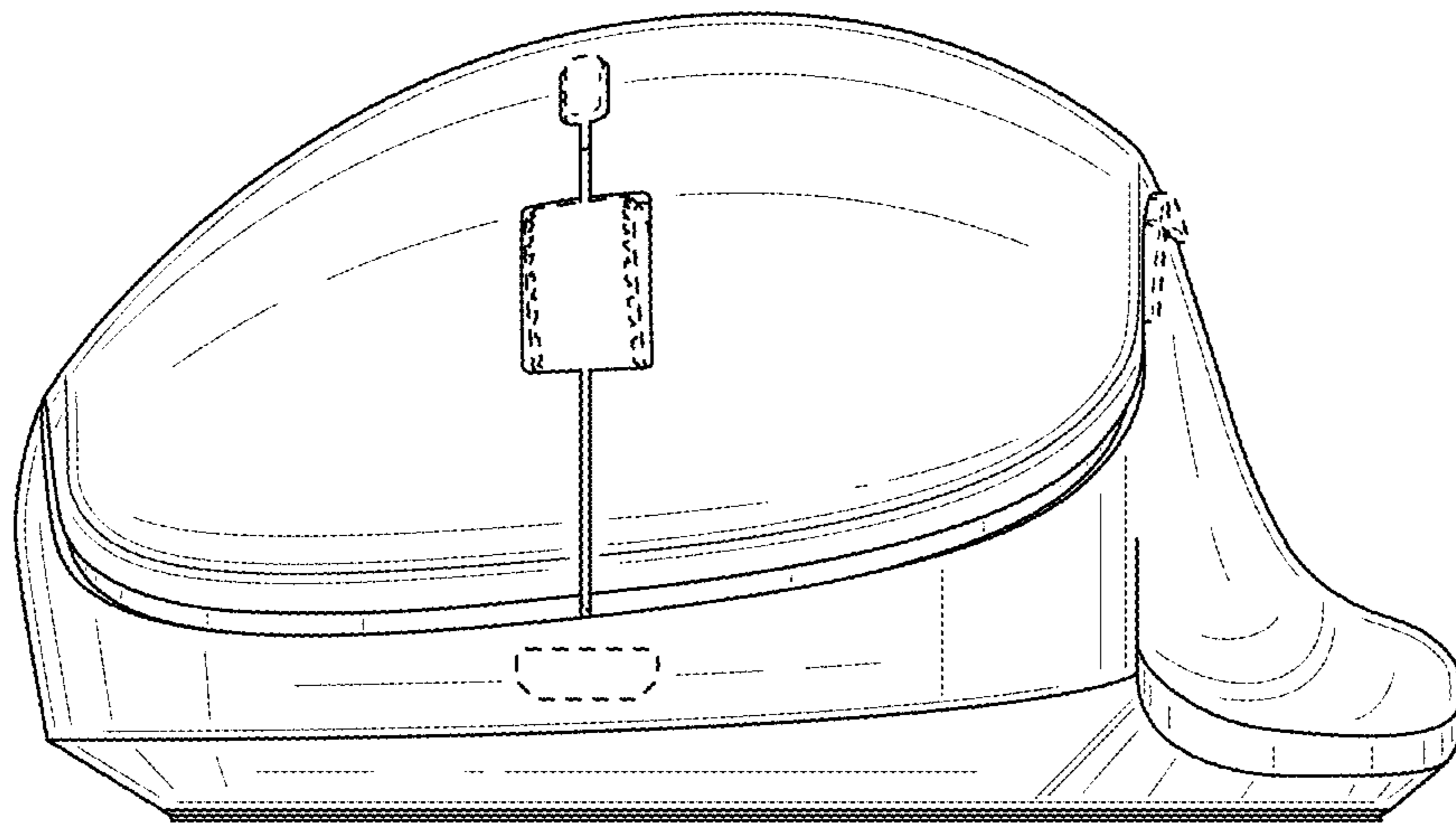


FIG. 6

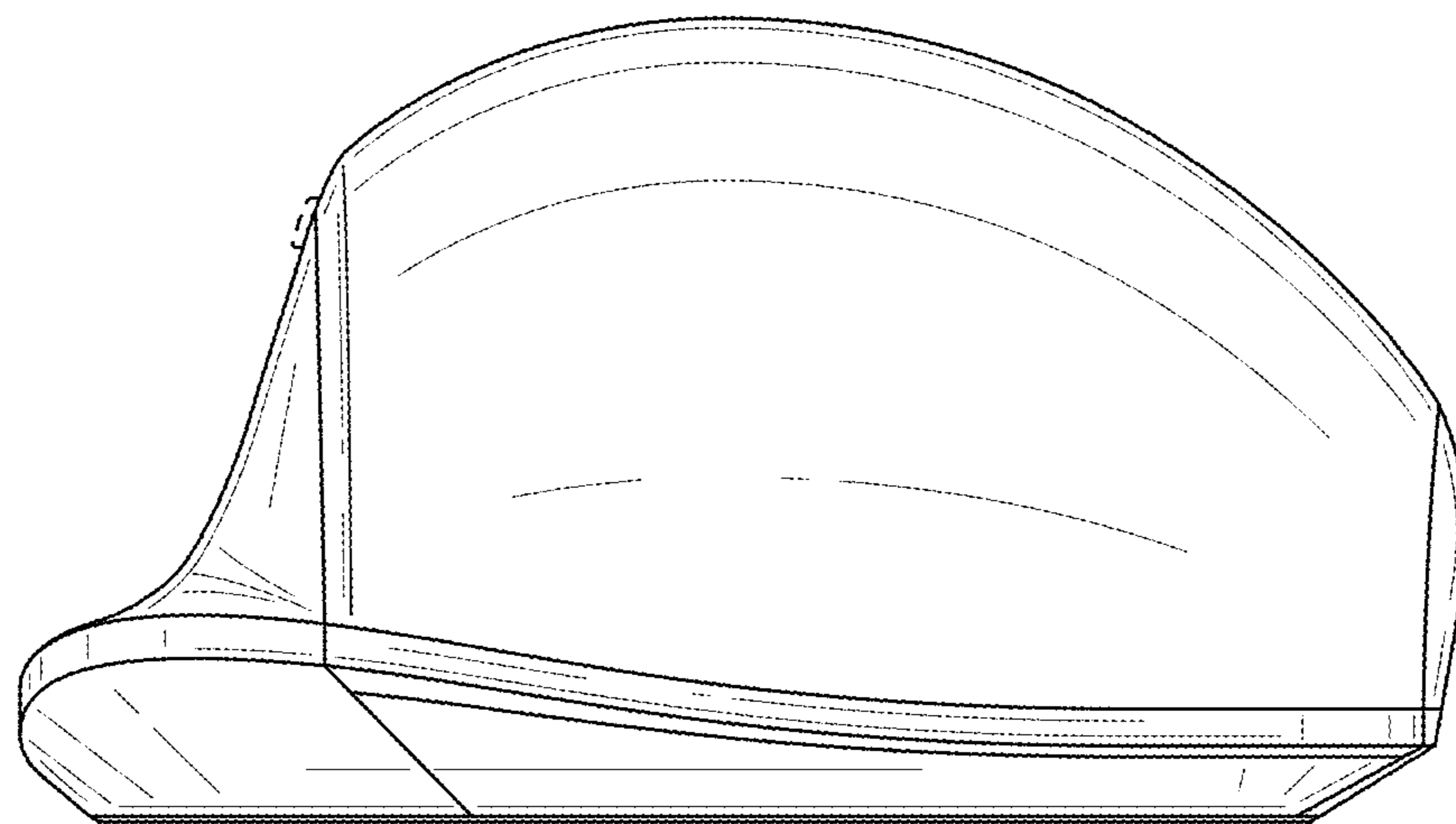


FIG. 7