



US00D853385S

(12) **United States Design Patent** (10) **Patent No.:** **US D853,385 S**
Jensen et al. (45) **Date of Patent:** **** Jul. 9, 2019**

(54) **COMPUTER MOUSE**

(71) Applicant: **XTRFY GAMING AB**, Landskrona (SE)

(72) Inventors: **Erik Jensen**, Dalby (SE); **Adam Friberg**, Billdal (SE)

(**) Term: **15 Years**

(21) Appl. No.: **35/503,309**

(22) Filed: **Jun. 12, 2017**

(80) **Hague Agreement Data**

Int. Filing Date: **Jun. 12, 2017**

Int. Reg. No.: **DM/096652**

Int. Reg. Date: **Jun. 12, 2017**

Int. Reg. Pub. Date: **Jul. 7, 2017**

(30) **Foreign Application Priority Data**

May 29, 2017 (EM) 004022432-0001

(51) **LOC (11) Cl.** **14-02**

(52) **U.S. Cl.**
USPC **D14/402**

(58) **Field of Classification Search**
USPC D14/402-411, 356, 388, 389, 383-385, D14/426

CPC G06F 3/03543; G06F 2203/0333; G06F 3/039; G06F 3/038; G06F 2203/0384
See application file for complete search history.

(56) **References Cited**

U.S. PATENT DOCUMENTS

D591,748 S * 5/2009 Hu D14/402
D595,296 S * 6/2009 Chatterjee D14/402

D607,454 S * 1/2010 Reed D14/408
D638,837 S * 5/2011 Tzeng D14/402
D642,573 S * 8/2011 Kujawski D14/402
D793,393 S * 8/2017 Jeong D14/402
D798,865 S * 10/2017 Cheung D14/408
D803,838 S * 11/2017 Raken D14/408
D804,480 S * 12/2017 Deng D14/409
D807,359 S * 1/2018 Jeong D14/408
D813,869 S * 3/2018 Hu D14/402

* cited by examiner

Primary Examiner — Melanie H Tung

Assistant Examiner — Bao-Yen T Nguyen

(74) *Attorney, Agent, or Firm* — John Alunit

(57) **CLAIM**

The ornamental design for a computer mouse, as shown and described.

DESCRIPTION

1. Computer mouse

1.1 : Perspective

1.2 : Front

1.3 : Back

1.4 : Left

1.5 : Right

1.6 : Top

1.7 : Bottom

1.8 : Perspective

The broken lines illustrate portions of the computer mouse and form no part of the claimed design.

1 Claim, 8 Drawing Sheets

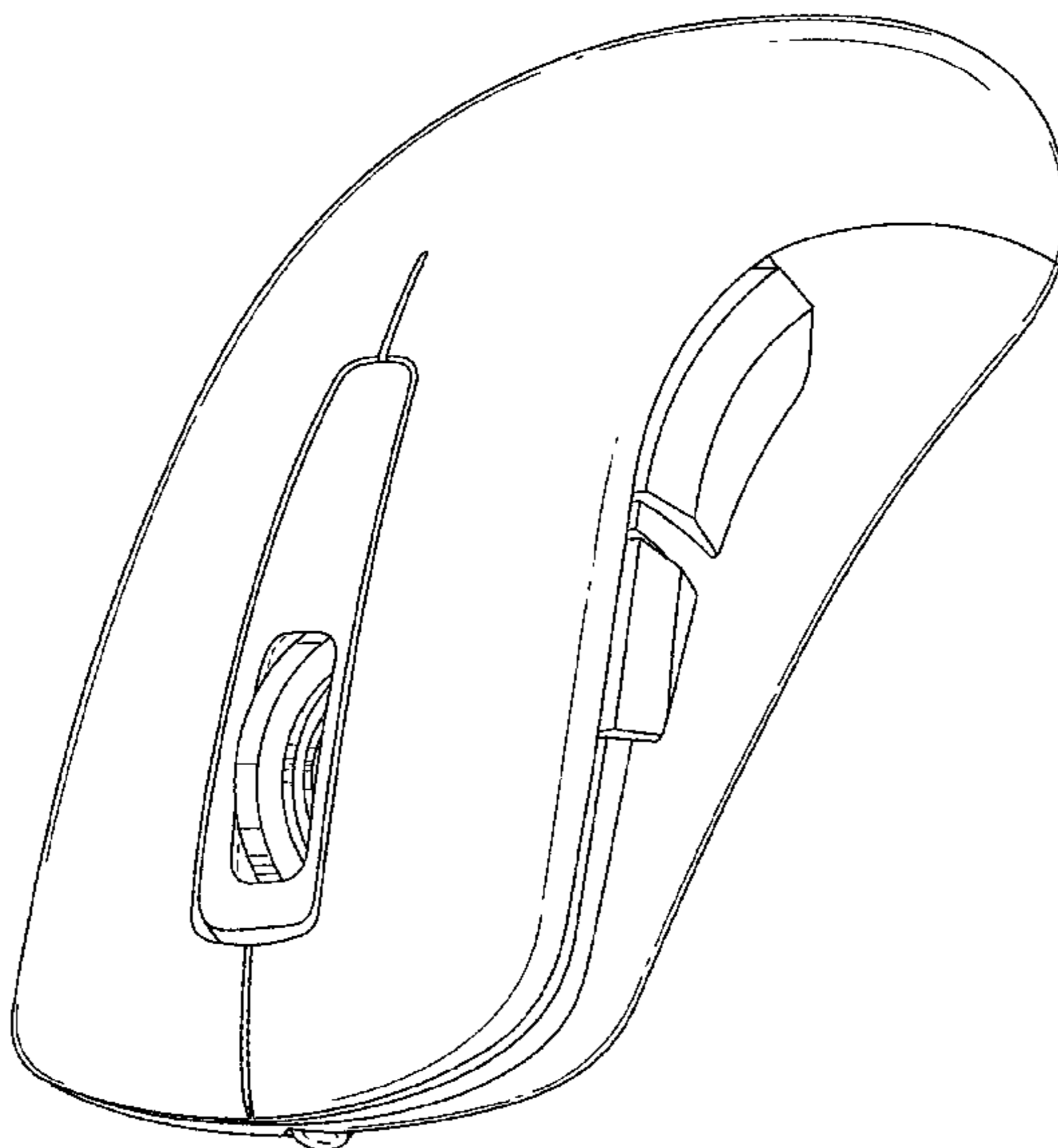


Fig. 1.1

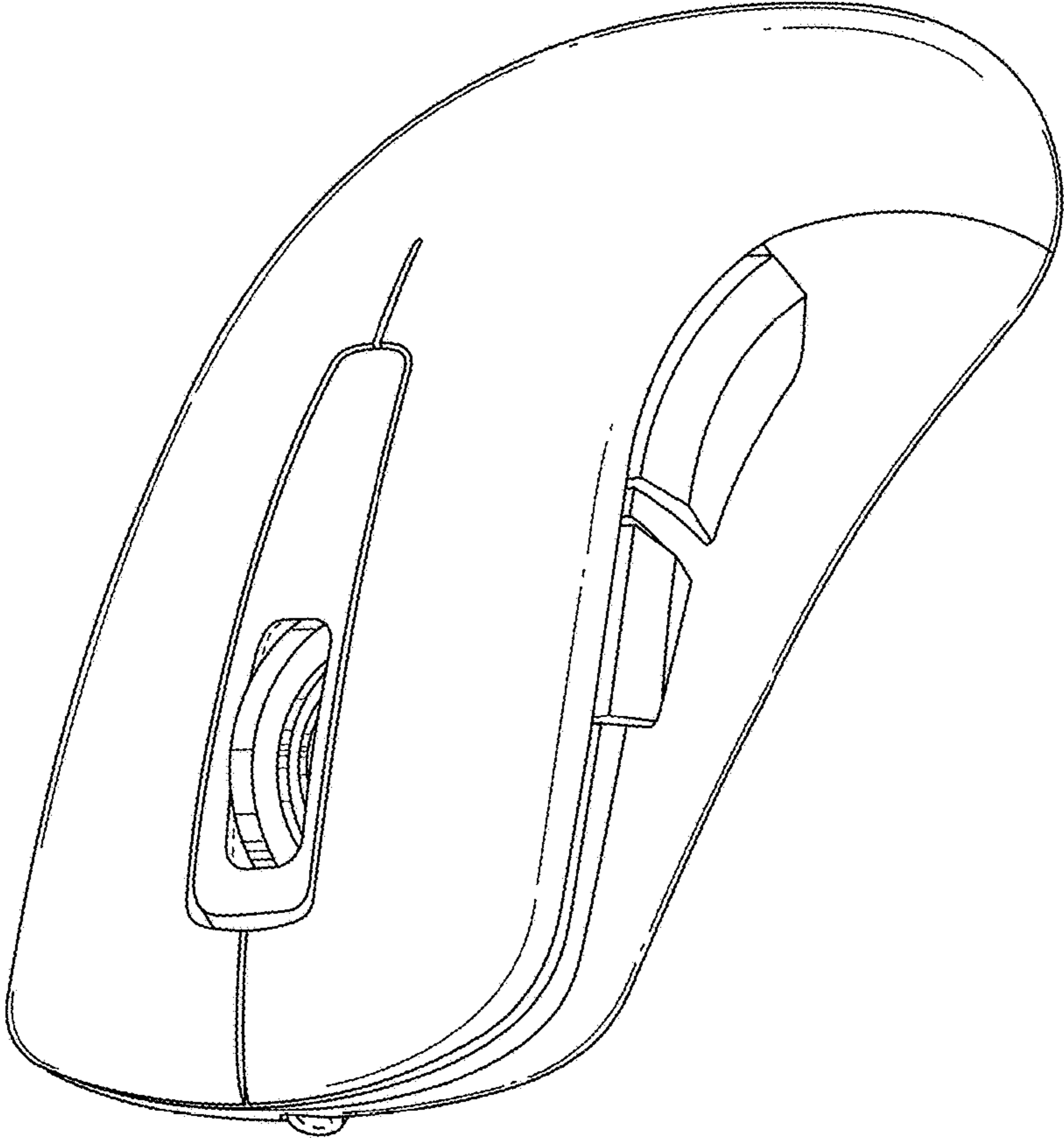


Fig. 1.2

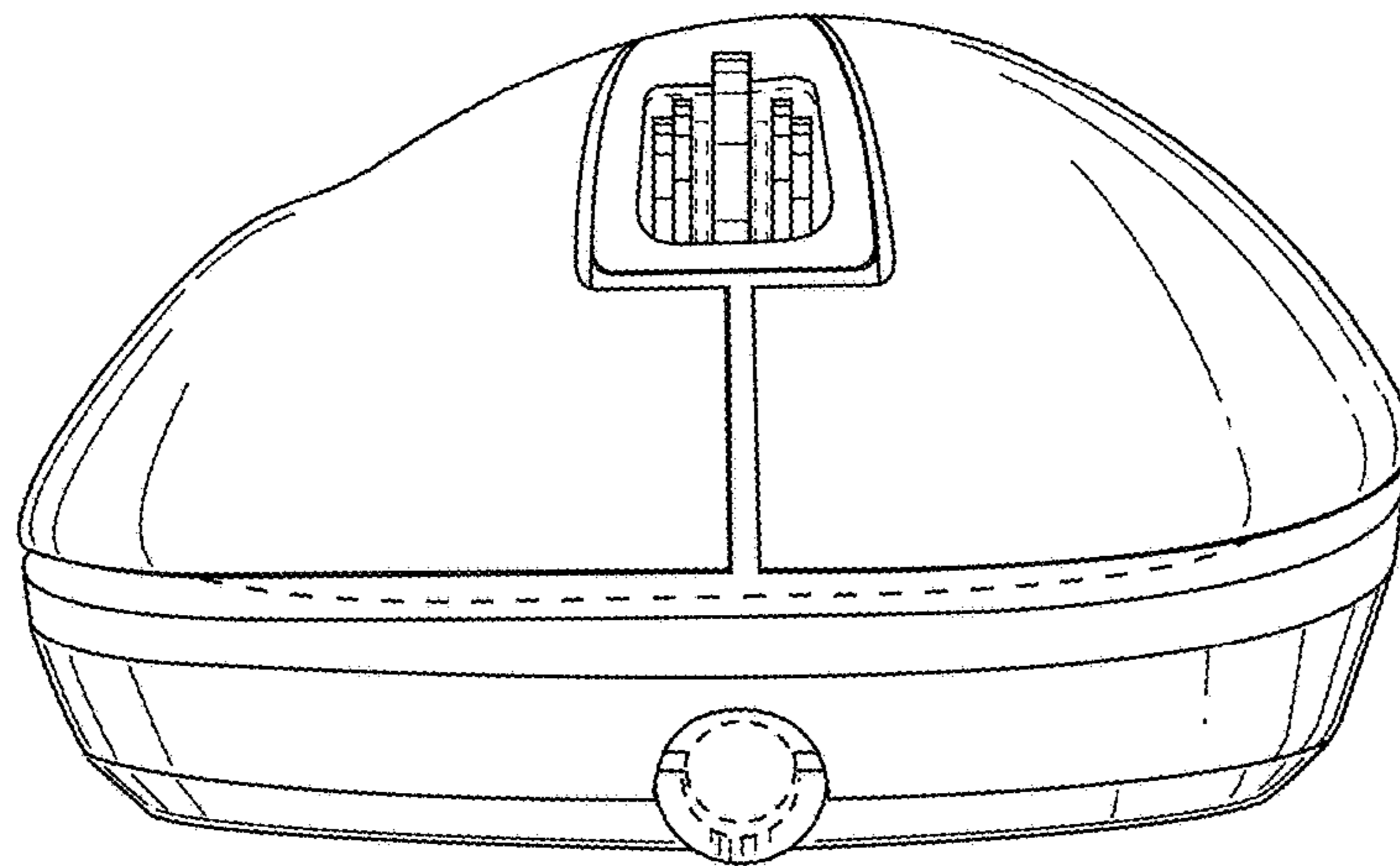


Fig. 1.3

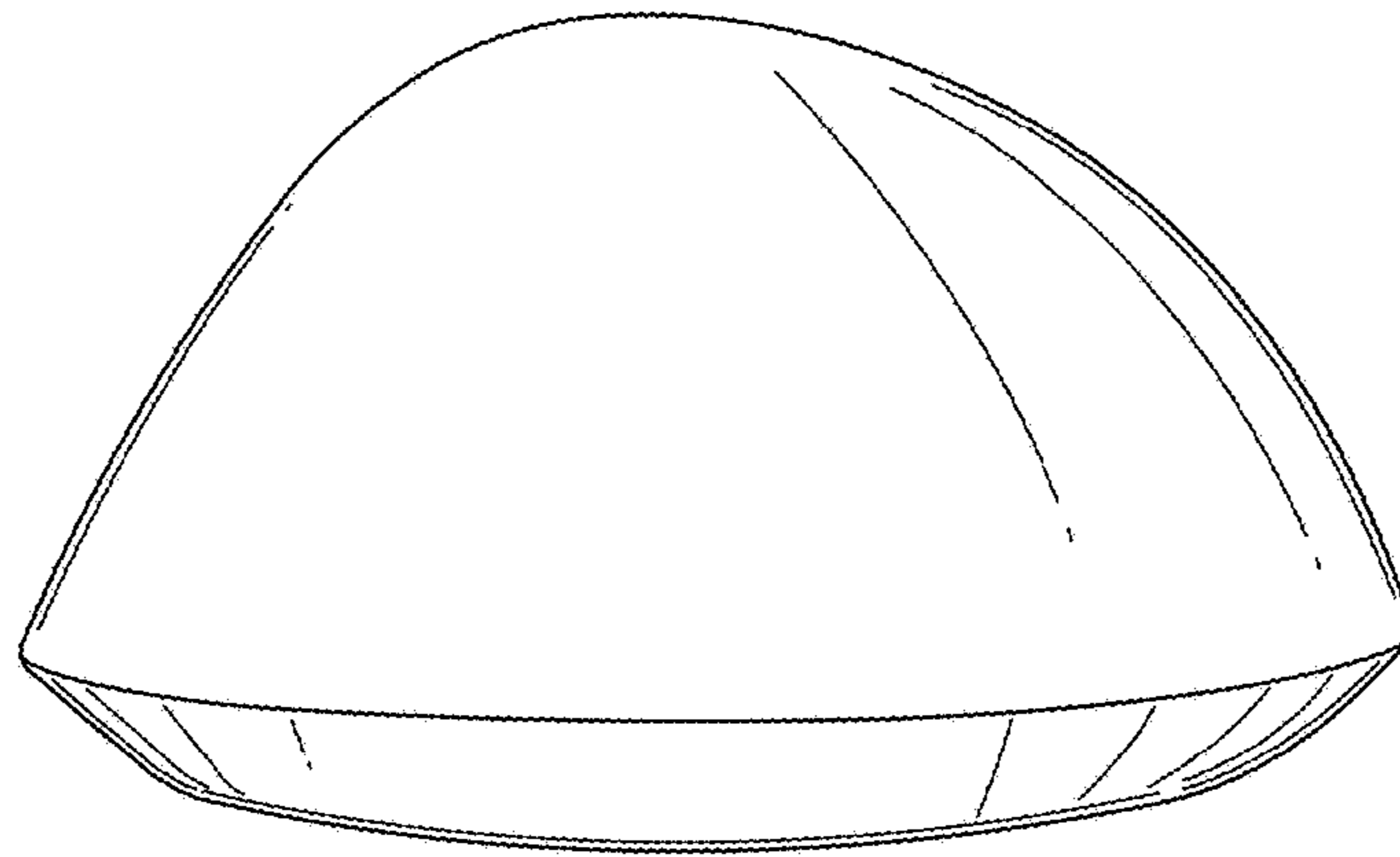


Fig. 1.4

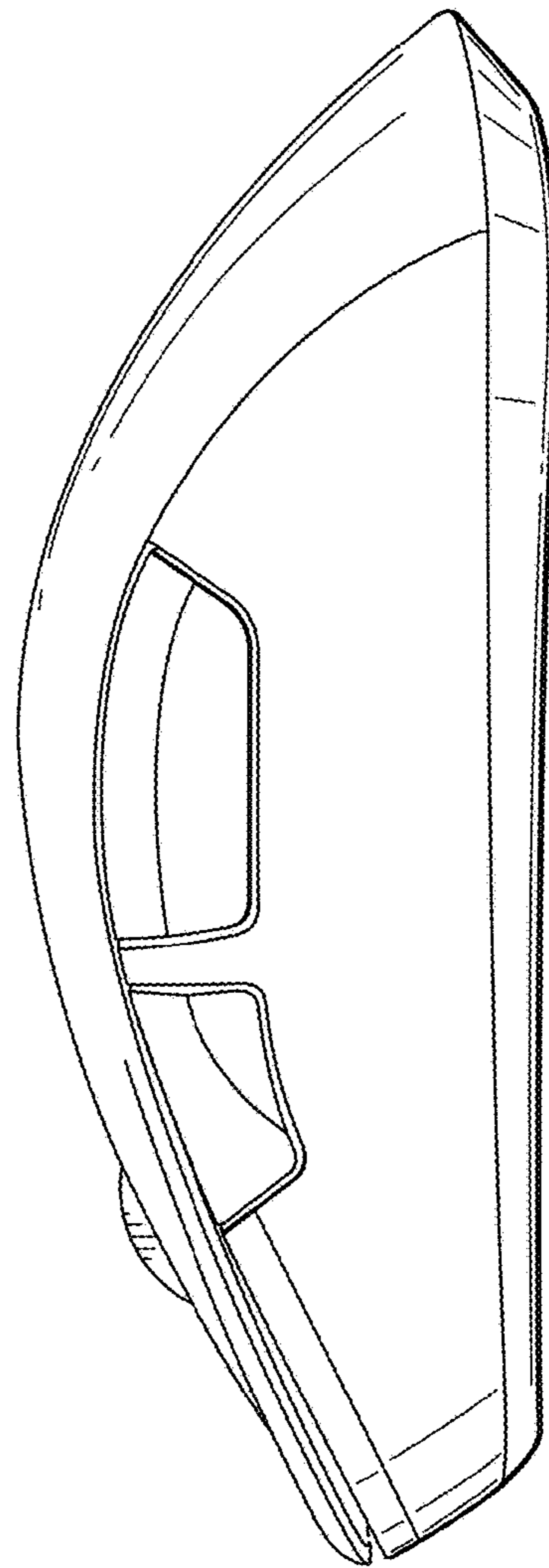


Fig. 1.5

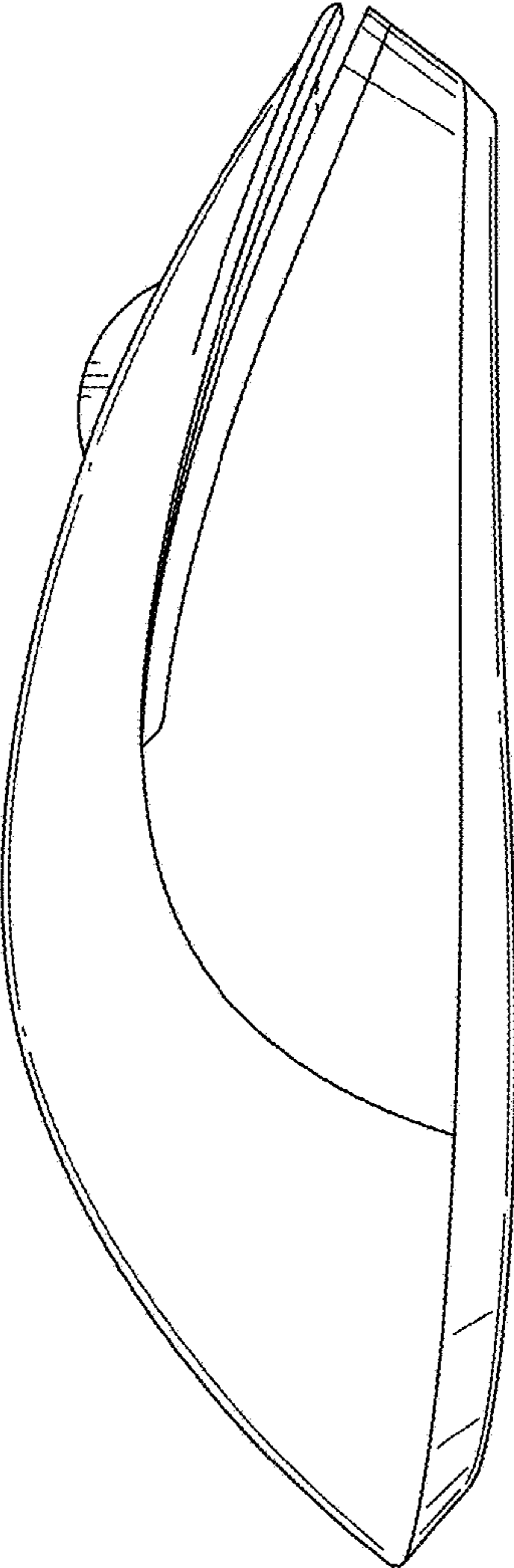


Fig. 1.6

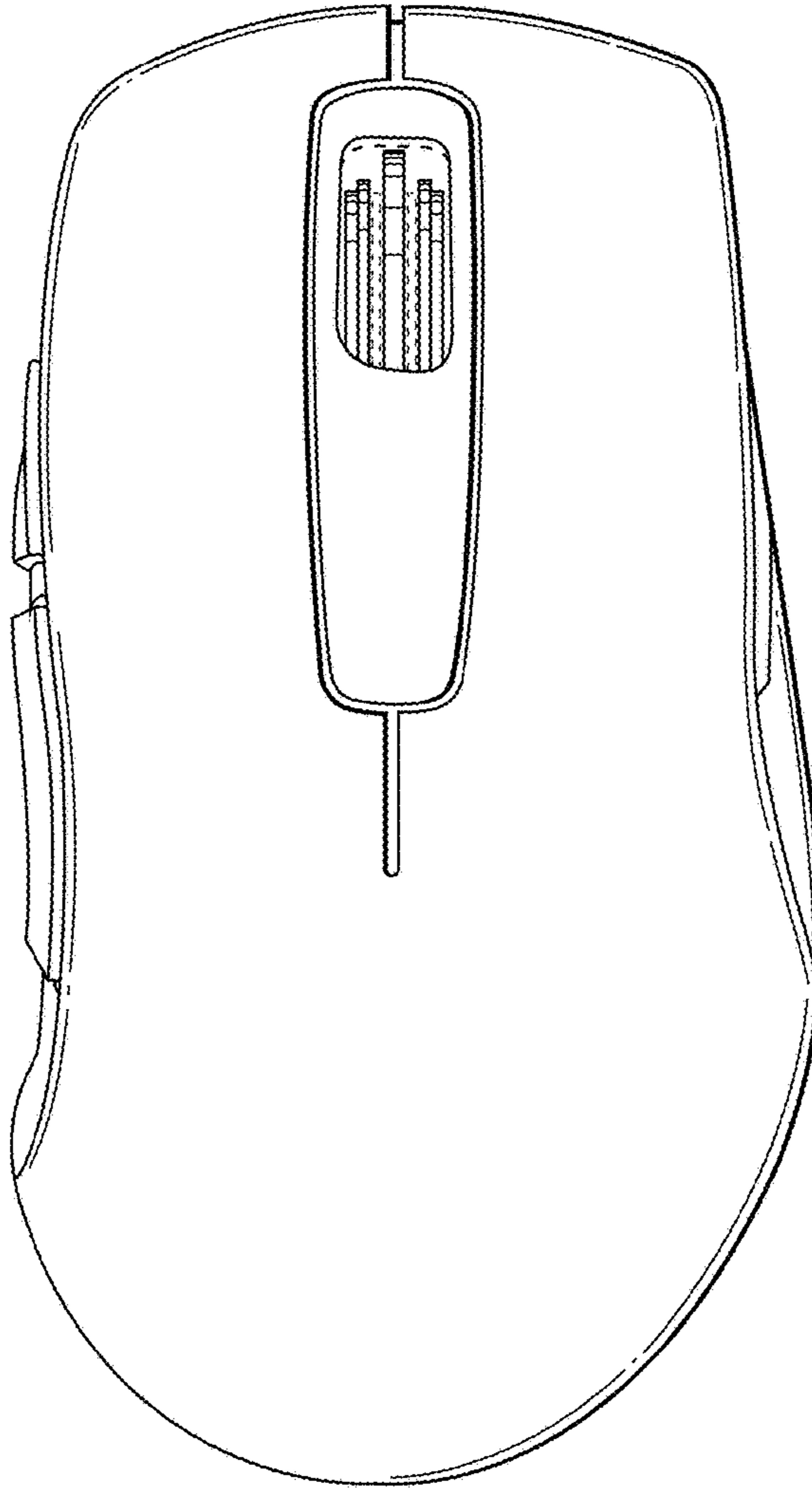


Fig. 1.7

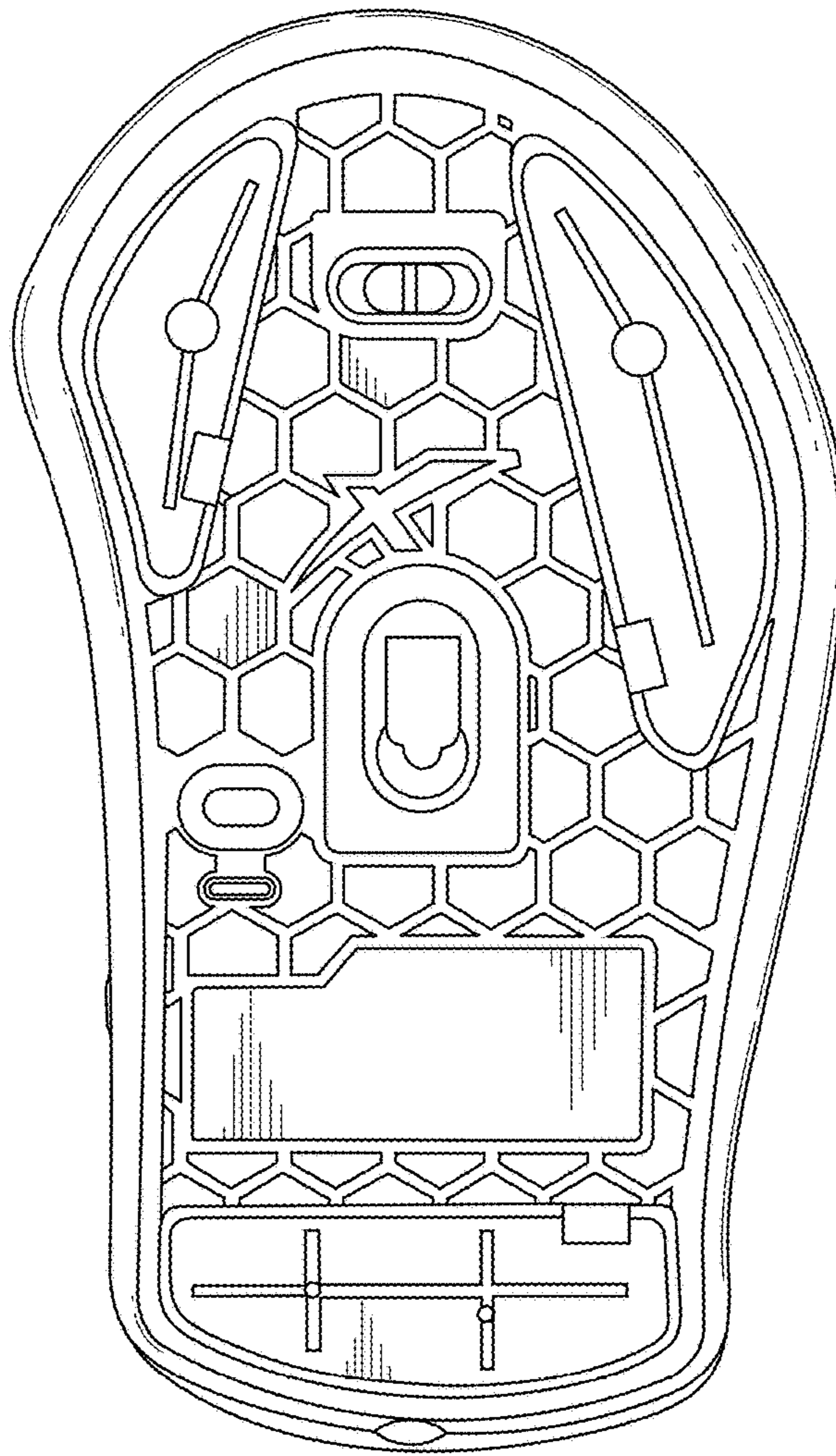


Fig. 1.8

